

PRODUCT INFORMATION PACKET

Model No: 056T17V99013

Catalog No: N761

1 HP Washdown Motor, 3 phase, 1800 RPM, 208-230/460 V, 56C Frame, TENV
Washdown Duty Motors



Regal and Marathon are trademarks of Regal Beloit Corporation or one of its affiliated companies.
©2019 Regal Beloit Corporation, All Rights Reserved. MC017097E

REGAL



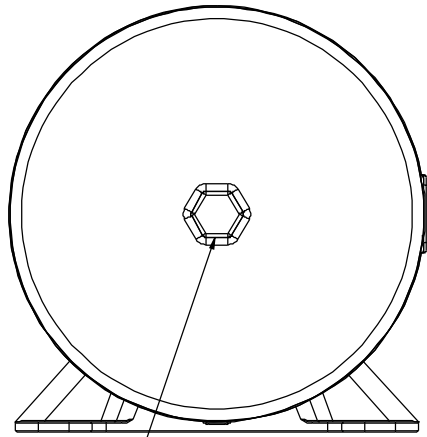
Nameplate Specifications

Output HP	1 Hp	Output KW	0.75 kW
Frequency	60 Hz	Voltage	208-230/460 V
Current	3.1-3.0/1.5 A	Speed	1725 rpm
Service Factor	1.15	Phase	3
Efficiency	81.5 %	Power Factor	77
Duty	Continuous	Insulation Class	F
Design Code	B	KVA Code	K
Frame	56C	Enclosure	Totally Enclosed Non Ventilated
Thermal Protection	No	Ambient Temperature	40 °C
Drive End Bearing Size	6205	Opp Drive End Bearing Size	6205
UL	Recognized	CSA	Y
CE	Y	IP Code	66

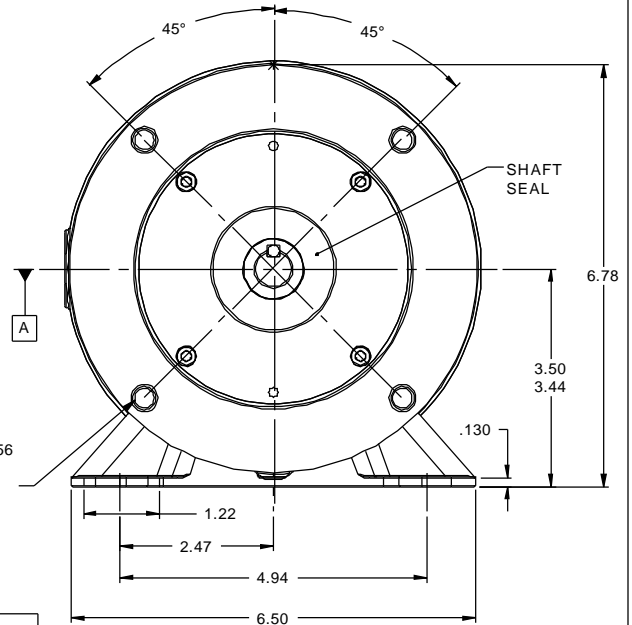
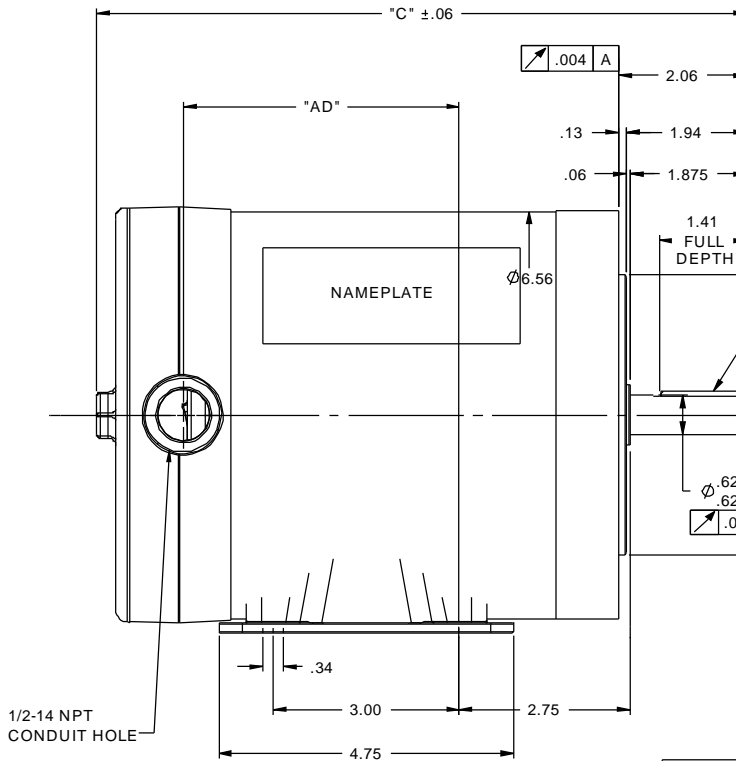
Technical Specifications

Electrical Type	Squirrel Cage Inverter Rated	Starting Method	Line Or Inverter
Poles	4	Rotation	Reversible
Resistance Main	13.76 Ohms	Mounting	Rigid Base
Motor Orientation	Horizontal	Drive End Bearing	Ball
Opp Drive End Bearing	Ball	Frame Material	Stainless Steel
Shaft Type	NEMA 56	Overall Length	12.22 in
Frame Length	7.00 in	Shaft Diameter	0.625 in
Shaft Extension	1.88 in	Assembly/Box Mounting	F1 Only

This is an uncontrolled document once printed or downloaded and is subject to change without notice. Date Created:01/11/2019



3/4" HEX DRIVER
FOR COVER REMOVAL



(4) 3/8-16 UNC-2B X .56
DEEP ON A Ø5.875
B.C.

DASH NO	"C"	"AD"
525	10.47	4.44
550	10.72	4.69
575	10.97	4.94
600	11.22	5.19
625	11.47	5.44
650	11.72	5.69
675	11.97	5.94
700	12.22	6.19
725	12.47	6.44
750	12.72	6.69
775	12.97	6.94

NO		REVISION		BY & DATE	CHK	LANG	±1/2°	FINISH	TITLE		DRAWN	UD 08/26/13
									OUTLINE 56C FRAME		CHK	GRB 08/26/13
									TENV RIGID "C"		APPR	
											SCALE	1:2
											REF	028767
											FMF	056T34V99012
											PAGE	OF
											SIZE	B
											DRAWING NO	028767ME
											REV	
											NETWORK FILE NAME	028767ME



THIRD ANGLE
PROJECTION

