

PRODUCT INFORMATION PACKET

Model No: 056T17W99035
Catalog No: N627A
1,TEFC,1800,56C,3/60/575
General Purpose



Regal and Marathon are trademarks of Regal Beloit Corporation or one of its affiliated companies.
©2018 Regal Beloit Corporation, All Rights Reserved. MC017097E





Nameplate Specifications

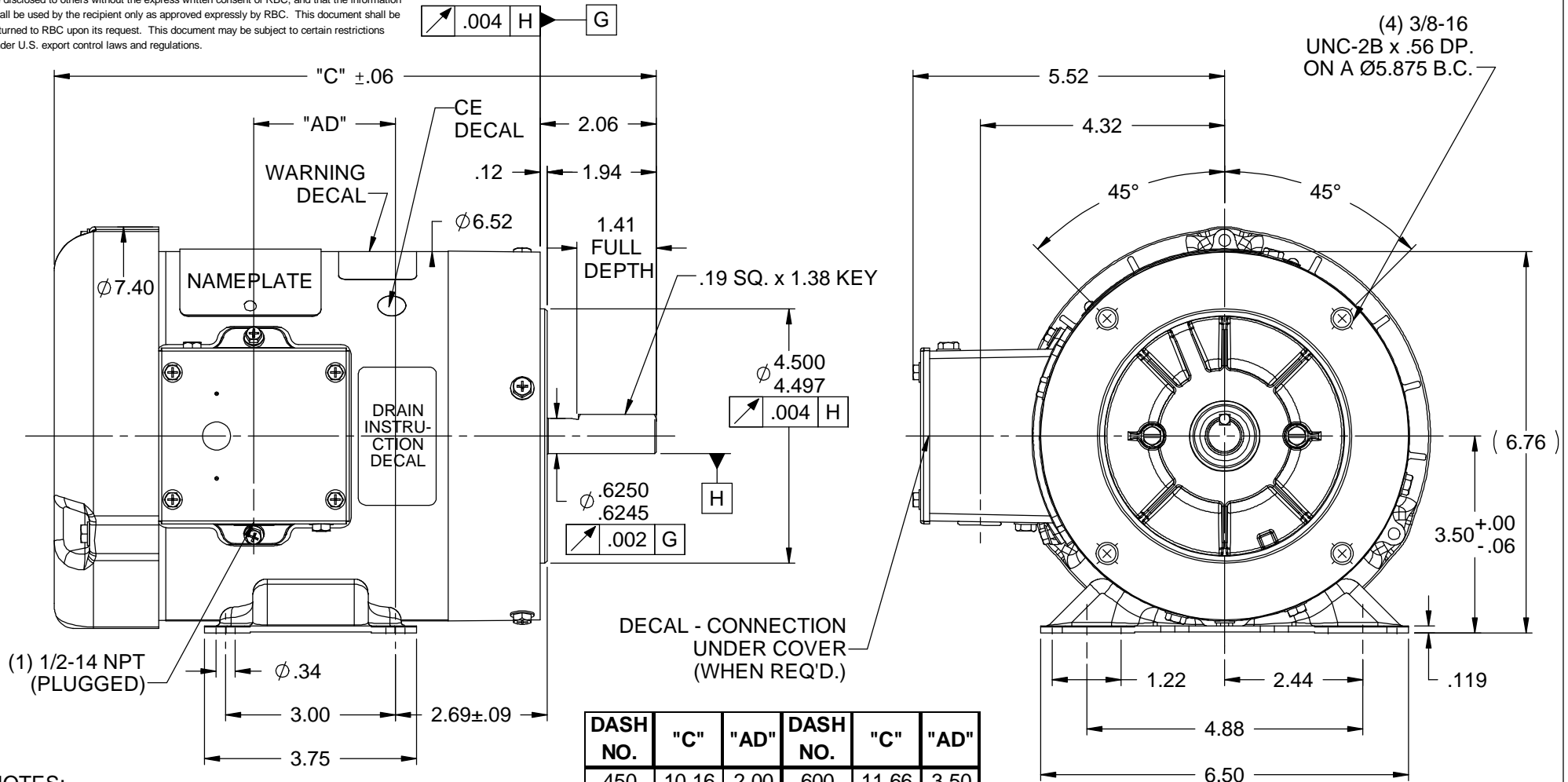
Output HP	1 Hp	Output KW	0.75 kW
Frequency	60 Hz	Voltage	575 V
Current	1.3 A	Speed	1760 rpm
Service Factor	1.15	Phase	3
Efficiency	85.5 %	Duty	Continuous
Insulation Class	F	Design Code	B
KVA Code	N	Frame	56C
Enclosure	Totally Enclosed Fan Cooled	Overload Protector	No
Ambient Temperature	40 °C	Drive End Bearing Size	6205
Opp Drive End Bearing Size	6203	UL	Recognized
CSA	Y	CE	Y
IP Code	55		

Technical Specifications

Electrical Type	Squirrel Cage Induction Run	Starting Method	Across The Line
Poles	4	Rotation	Reversible
Mounting	Rigid base	Motor Orientation	HORIZONTAL
Drive End Bearing	BALL	Opp Drive End Bearing	BALL
Frame Material	Stainless Steel	Shaft Type	NEMA 56
Overall Length	12.41 in	Frame Length	6.75 in
Shaft Diameter	0.625 in	Shaft Extension	2.06 in
Assembly/Box Mounting	F1 ONLY		
Outline Drawing	028785ME-675	Connection Diagram	005102.01ME

This is an uncontrolled document once printed or downloaded and is subject to change without notice. Date Created: 10/30/2018

This document is the property of REGAL BELOIT CORPORATION ("RBC") including its subsidiaries and divisions and contains proprietary information of RBC. This document is loaned on the express condition that neither it nor the information contained therein shall be disclosed to others without the express written consent of RBC, and that the information shall be used by the recipient only as approved expressly by RBC. This document shall be returned to RBC upon its request. This document may be subject to certain restrictions under U.S. export control laws and regulations.



(1) 1/2-14 NPT (PLUGGED)

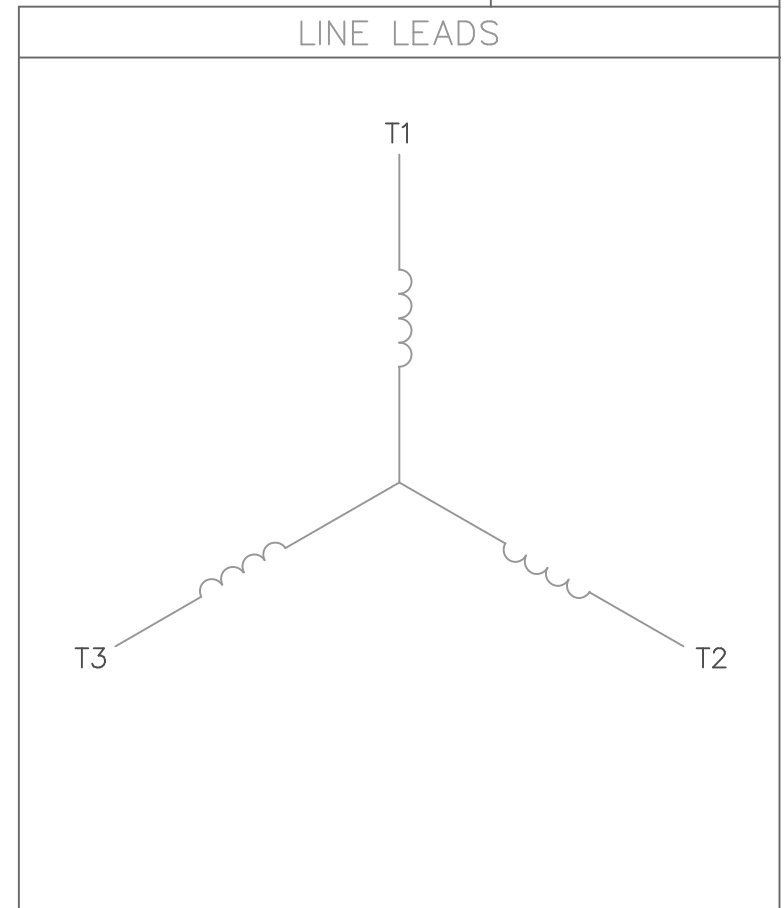
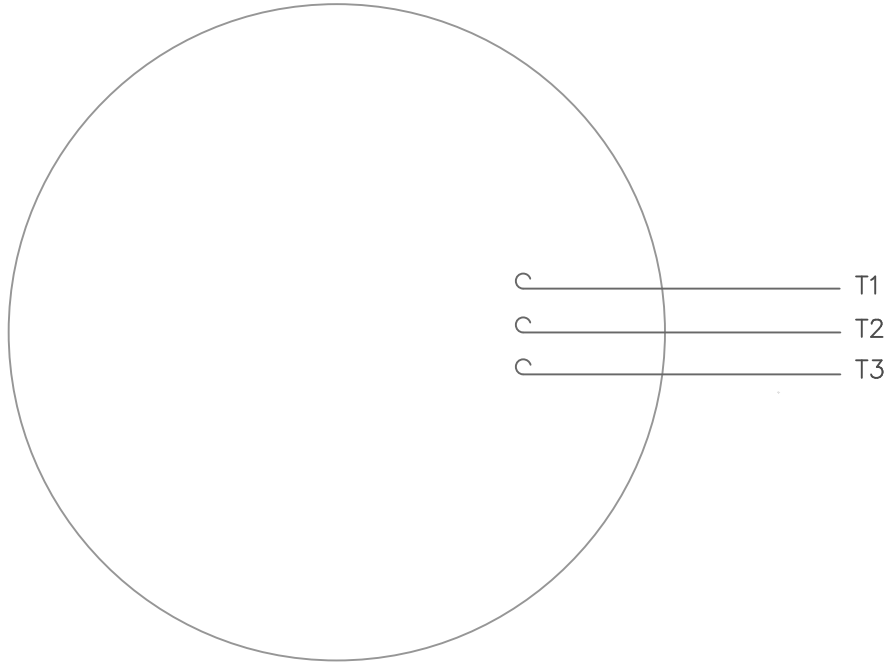
DECAL - CONNECTION UNDER COVER (WHEN REQ'D.)

- NOTES:
 1) SHAFT SEALS & V-RING.
 2) DRAIN HOLES IN ENDBELLS & CONDUIT BOX.
 3) GASKETS THROUGHOUT.
 4) STAINLESS STEEL SHAFT, HARDWARE, & NAMEPLATE

DASH NO.	"C"	"AD"	DASH NO.	"C"	"AD"
450	10.16	2.00	600	11.66	3.50
475	10.41	2.25	650	12.16	4.00
500	10.66	2.50	675	12.41	4.25
550	11.16	3.00	700	12.66	4.50

				TOLERANCES UNLESS SPECIFIED				DRAWN RVD 02/26/2009	
				DEC	INCHES			CHK VS 02/26/2009	
				.X	±.1			APPR RVD 02/26/2009	
				.XX	±.03			SCALE 3:8	
				.XXX	±.005			REF 028785	
				.XXX	±.0005	MAT'L		FMF 56T34W15503	
NO	REVISION	BY & DATE	CHK	ANG	±1/2°	FINISH GENERAL PURPOSE		PAGE OF	
			RFP	PREV		SIZE	DRAWING NO		REV
			NETWORK FILE NAME		028785ME	A	028785ME		

VIEW FROM OUTSIDE OF MOTOR AT SWITCH END.



CONNECT LEADS AS FOLLOWS
FOR FOUR CONDUCTOR CORD ()

CORD	L1 (RED)	L2 (WHITE)	L3 (BLACK)	(GREEN)
MOTOR	T1	T2	T3	GROUND

				TOLERANCES UNLESS SPECIFIED			DRAWN RDW 5/1/02		
				DEC.	INCHES		CHK		
				.X	±.1		APPD		
				.XX	±.01		SCALE 1=1		
				.XXX	±.005		REF		
				.XXXX	±.0005	MAT'L. DECAL - 004169	FMF		
NO.	REVISION	BY & DATE	CHK	ANG	±1/2'	FINISH	PREV		
THIS DRAWING IN DESIGN AND DETAIL IS OUR PROPERTY AND MUST NOT BE USED EXCEPT IN CONNECTION WITH OUR WORK ALL RIGHTS OF DESIGN AND INVENTION ARE RESERVED THIS IS AN ELECTRONICALLY GENERATED DOCUMENT - DO NOT SCALE THIS PRINT				RFP	5/1/02	CAD FILE 00510201ME	SIZE A	DRAWING NO. 005102-01ME	REV.
				DIST					



P.O. BOX 8003
WAUSAU, WI 54401-8003
PH. 715-675-3311

DATA VOLTS: 460

CERTIFICATION DATA SHEET

CUSTOMER P.O. #:
 ORDER #: 005102.01ME
 REFERENCE MODEL #: 56T17W99035
 CONN. DIAGRAM: 028785ME-675
 CAT #: N627A
 OUTLINE: T634342
 CUSTOMER PART #:
 WINDING: FR 4
 MOUNTING: F1 ONLY
 SPEED:
 TYPICAL MOTOR PERFORMANCE DATA

HP	KW	SYNC RPM	FL RPM	FRAME	ENCLOSURE	TYPE	KVA CODE	DESIGN
1	0.75	1800	1780	56C	TEFC	TEF	N	B

PH	HZ	VOLTS	AMPS	START TYPE	DUTY	INSL	S.F.	AMB	ELEV.
3	60	575	1.25	ACROSS-THE LINE	CONT	F	1.15	40	3300
	F.L. EFF	85.5	3/4 LD EFF	85.4	1/2 LD EFF	79.6	GTD EFF	ELECT. TYPE	
	F.L. PF	68.5	3/4 LD PF	61.5	1/2 LD PF	51.5	0.0	SQ CAGE IND RUN	

F.L. TORQUE	LR AMPS @ 460 V	L.R. TORQUE	B.D. TORQUE	F.L. RISE (°C)
3.0 LB-FT	11.2	12.0 LB-FT	15.8 LB-FT	527%
@ 3 FT.	POWER	ROTOR WK ²	MAX. LOAD WK ²	SAFE STALL TIME
65 DBA	74 DBA	0.12 LB-FT ²	0 LB-FT ²	0 SEC.
				START/SHOUR
				MOTOR WGT
				0 LB.

*** SUPPLEMENTAL INFORMATION ***

DE BRACKET TYPE	ODE BRACKET TYPE	MOUNT TYPE	MOTOR ORIENTATION	SEVERE DUTY	HAZARDOUS LOCATION	DRIP COVER	SCREENS	PAINT
C-FACE	STANDARD	RIGID	HORIZONTAL	NO	NONE	NO	NONE	HTE - LEESSON (EPO)

BEARINGS	GREASE	SHAFT TYPE	SPECIAL DE	SPECIAL ODE	SHAFT MATERIAL	FRAME MATERIAL
DE BALL 6205	POLYREX EM	STANDARD 56	NONE	NONE	303 STAINLESS (C-501)	STAINLESS STEEL

THERMOSTATS	PROTECTORS	WDG RTD's	BRG RTD's	THERMISTORS	CONTROL	SPACE HEATERS
NONE	NOT	NONE	NONE	NONE	FALSE	NA

R1 (ohms/ph)	R2 (ohms/ph)	X1 (ohms/ph)	X2 (ohms/ph)	Xm (ohms/ph)	VIBRATION (in/sec)	FLOAT
0	0	0	0	0	0.080	ODE

* N		INVERTER TORQUE: NONE	
O	INV. HP SPEED RANGE: NONE		
T	ENCODER: NONE		
E	BRAKE: NONE		
S	FT-LB: NA		
	VOLTAGE: NONE		
	NONE PPR		

PREPARED BY: FAREEDA DUDEKULA
 DATE: 9/17/2018
 UL: V-INS, CONST UL REC
 FORM: 3531 REV 4 2/27/06

Data Sheet

56117W99035

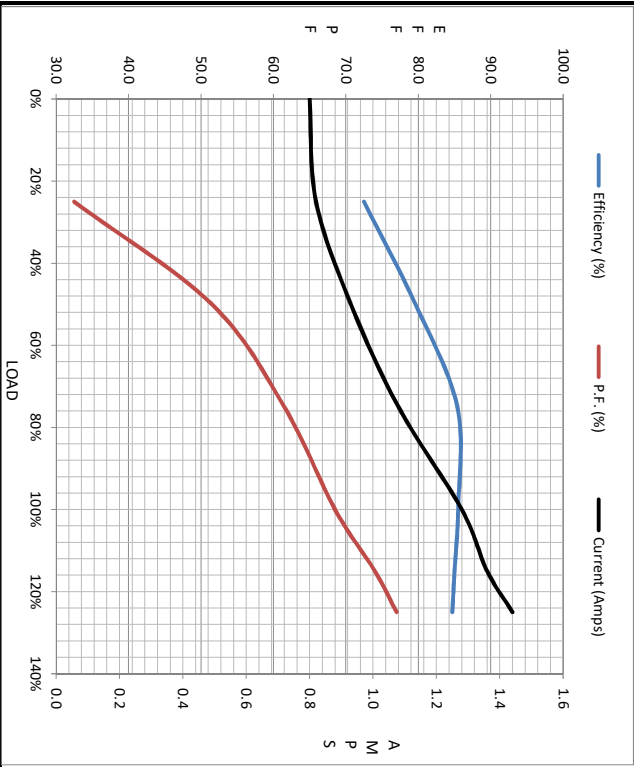


Submital Data @ 575 V

Date: 9/17/2018
 Customer:
 Attention:
 Submitted by: FAREEDA DUDEKULA

Load	Motor Load Data									
	0%	25%	50%	75%	100%	115%	125%	LR		
Current (Amps)	0.80	0.82	0.93	1.08	1.28	1.36	1.44	11.2		
Torque (ft-lb)	0.00	0.75	1.50	2.25	3.0	3.5	3.8	12.0		
RPM	1800	1789	1779	1769	1760	1,750	1745	0		
Efficiency (%)		72.5	79.6	85.4	85.5	85.0	84.7			
P.F. (%)	8.0	32.5	51.5	61.5	68.5	74.0	77.0	41.0		

	Motor Speed Data					Information Block																			
	LR	Pull-Up	BD	Rated	Idle	HP	Frame	Enclosure	Construction	Voltage	Frequency	Design	LR Code letter	Service Factor	Temp Rise @ FL	Duty	Ambient	Elevation	Motor/Shaft wk ²	Ret Wdg	Sound Pressure @ 1M	VFD Rating	Outline Dwg	Conn. Diag	Additional Specifications:
Speed (RPM)	0	900	1170	1760	1800	1.0	1800	TEFC	TFR	575	60	B	N	1.15	CONT	40	1,000	0.12	FR	65	NONE	028785ME-675	005102.01ME		
Current (Amps)	11.2	10.4	7.9	1.28	0.80		140182TFC6080																		
Torque (ft-lb)	12.0	11.9	15.8	3.0	0.00																				



	R1	R2	X1	X2	Xm
EQUIV CKT (OHMS / PHASE)	0.0000	0.0000	0.0000	0.0000	0.0000
Additional Specifications:					

