

PRODUCT INFORMATION PACKET

Model No: 056T17W99045
Catalog No: N715A
1 1/2, 1800, TEFC, 56C, 3/60/230/460
Encapsulated



Regal and Marathon are trademarks of Regal Beloit Corporation or one of its affiliated companies.
©2018 Regal Beloit Corporation, All Rights Reserved. MC017097E



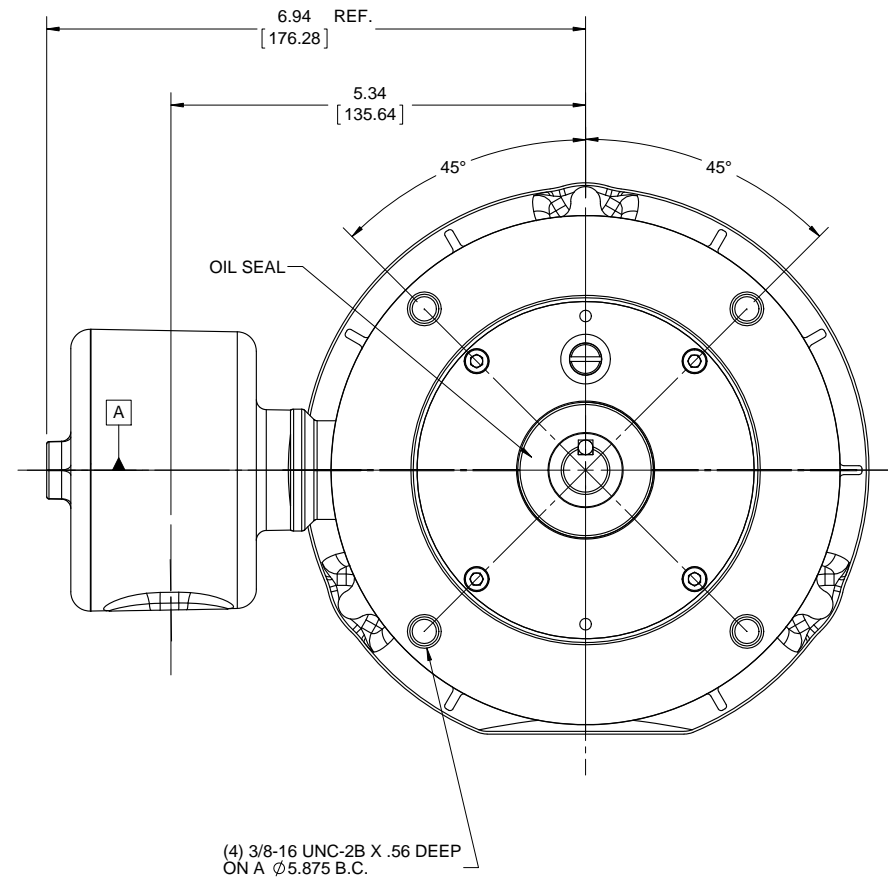
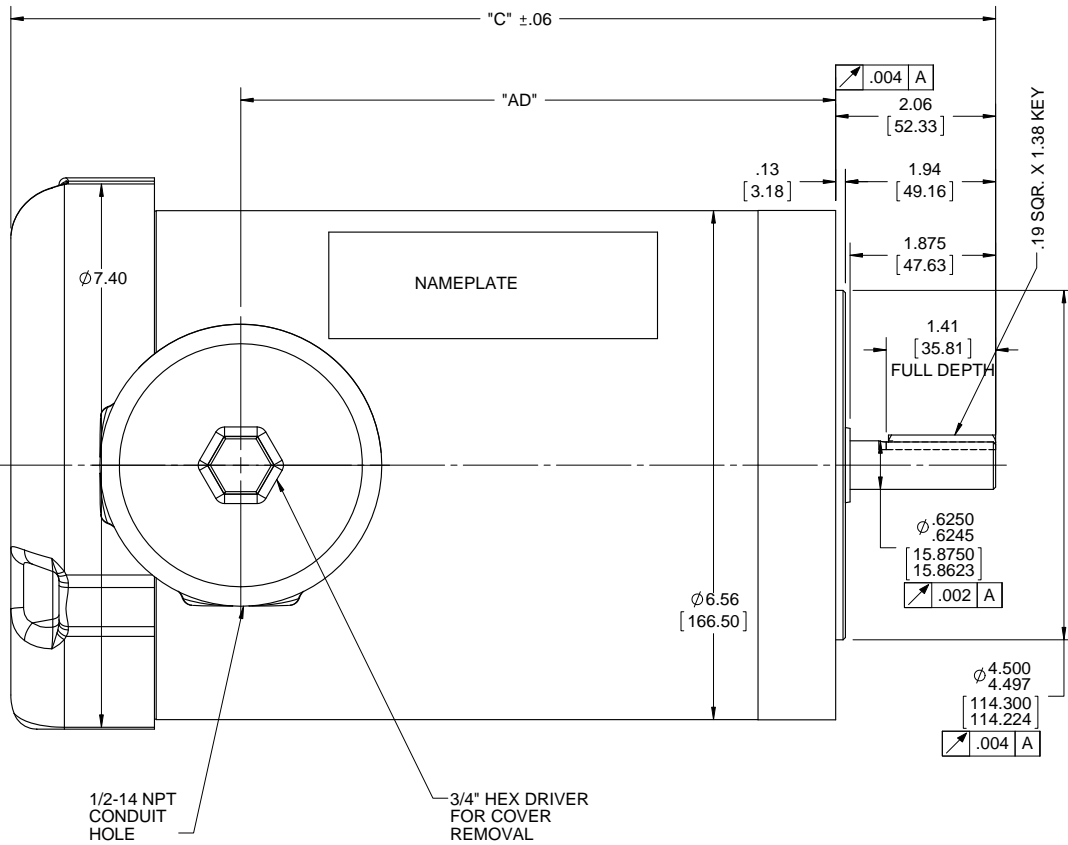
Nameplate Specifications

Output HP	1.50 Hp	Output KW	1.1 kW
Frequency	60 Hz	Voltage	230/460 V
Current	4.8/2.4 A	Speed	1750 rpm
Service Factor	1.15	Phase	3
Efficiency	86.5 %	Duty	Continuous
Insulation Class	F	Design Code	B
KVA Code	L	Frame	56C
Enclosure	Totally Enclosed Fan Cooled	Overload Protector	No
Ambient Temperature	40 °C	Drive End Bearing Size	6205
Opp Drive End Bearing Size	6205	UL	Recognized
CSA	Y	CE	Y
IP Code	66		

Technical Specifications

Electrical Type	Squirrel Cage Inverter Rated	Starting Method	Line Or Inverter
Poles	4	Rotation	Reversible
Mounting	Round	Motor Orientation	HORIZONTAL
Drive End Bearing	BALL	Opp Drive End Bearing	BALL
Frame Material	Stainless Steel	Shaft Type	NEMA 56
Overall Length	12.44 in	Frame Length	7.50 in
Shaft Diameter	0.625 in	Shaft Extension	2.06 in
Assembly/Box Mounting	F1 ONLY		
Outline Drawing	607-0175-750	Connection Diagram	005010.52

This is an uncontrolled document once printed or downloaded and is subject to change without notice. Date Created: 10/30/2018



DASH NO.	"C"	"AD"
525	10.19	5.16
625	11.19	6.16
675	11.69	6.66
700	11.94	6.91
725	12.19	7.16
750	12.44	7.41
775	12.69	7.66
800	12.94	7.91
825	13.19	8.16
850	13.44	8.41

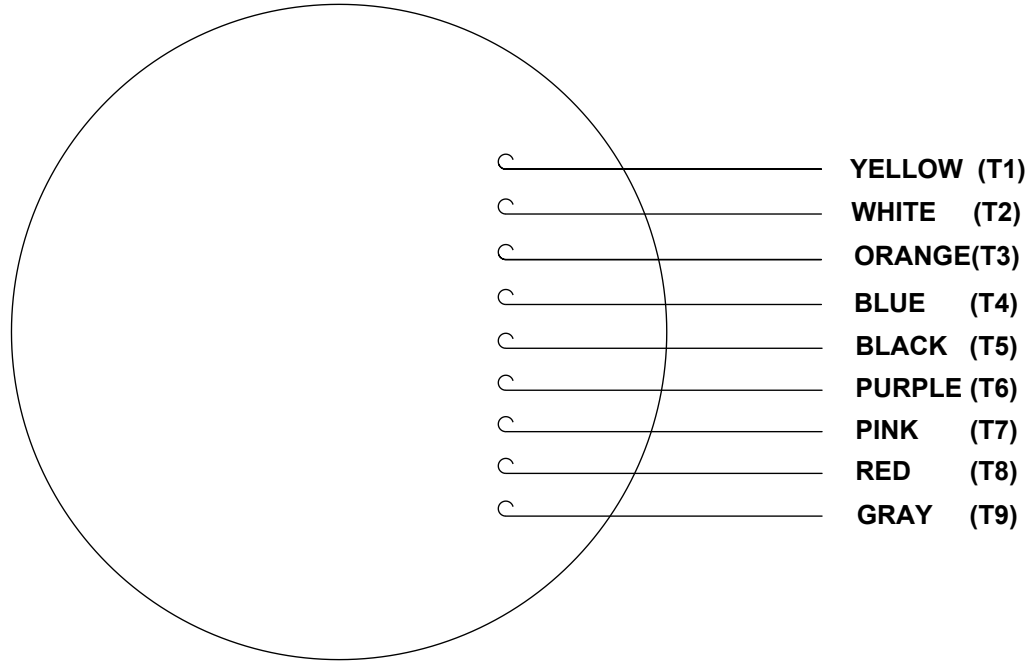
DRAWING REVISION F	REVISION BY AS	DATE 11/23/16
ECO ECO-0113507	APPROVED BY JD	DATE 11/23/16
ECO DESCRIPTION ADDED DASH # 700 & # 850		
<small>COPYRIGHT REGAL BELOIT AMERICA, INC. ALL RIGHTS RESERVED. PROPRIETARY AND CONFIDENTIAL INFORMATION - THIS DOCUMENT IS THE PROPERTY OF REGAL BELOIT AMERICA, INC. (OWNER) AND CONTAINS OWNER'S PROPRIETARY INFORMATION. ANY PERSON, CORPORATION OR OTHER FIRM RECEIVING IT IS DEEMED, BY RECEIVING IT, TO AGREE THAT IT, AND/OR ANY PART OF IT, SHALL NOT BE DISCLOSED TO ANY PERSON, CORPORATION OR OTHER ENTITY, DUPLICATED, AND/OR USED, EXCEPT AS EXPRESSLY APPROVED IN WRITING IN ADVANCE BY OWNER. THIS DOCUMENT SHALL BE RETURNED TO OWNER UPON REQUEST. IT MAY BE SUBJECT TO CERTAIN RESTRICTIONS UNDER APPLICABLE EXPORT CONTROL LAWS AND REGULATIONS.</small>		

TOLERANCES UNLESS OTHERWISE SPECIFIED:			
DEC.	INCH	mm	ANGLE
-X	± 0.1	[± 2.5]	$\pm 0.5^\circ$
.XX	± 0.01	[± 0.25]	
.XXX	± 0.005	[± 0.127]	
.XXXX	± 0.0005	[± 0.0127]	
REMOVE BURRS & BREAK SHARP EDGES: $.003/.015$ [0.076/3.81]			
CORNER FILLETS: $.02$ [51]			
MACHINED SURFACES: $125/3.2$ INCH/mm			
mm SHOWN IN [BRACKETS]			

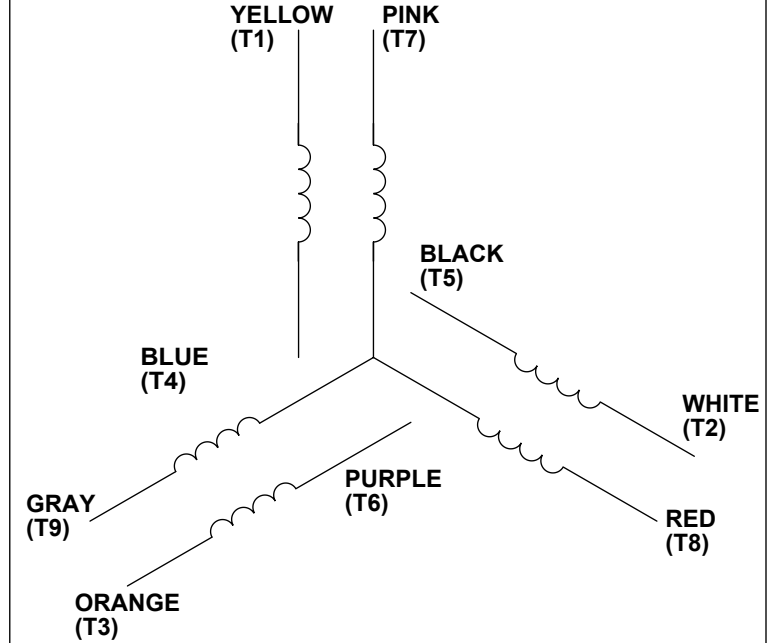
DRAWN BY LST	DATE 6/12/14
APPROVED BY	DATE
REFERENCE	THIRD ANGLE PROJECTION

Regal Beloit America, Inc.	
DESCRIPTION MOTOR ASSY 56C FRAME - TEFC- "C" FACE	
MATERIAL	PROCESS/FINISH
SIZE B	DRAWING NUMBER 607-0175
SHEET 1 OF 1	

VIEW FROM OUTSIDE OF MOTOR AT SWITCH END.



LINE LEADS



VOLTAGE	L1	L2	L3	JOIN & INSULATE
HIGH	T1	T2	T3	(T4, T7) (T5, T8) (T6, T9)
LOW	T1, T7	T2, T8	T3, T9	T4, T5, T6

RBC PROPRIETARY AND CONFIDENTIAL INFORMATION
This document is the property of REGAL BELOIT CORPORATION ("RBC") including its subsidiaries and divisions and contains proprietary information of RBC. This document is loaned on the express condition that neither it nor the information contained therein shall be disclosed to others without the express written consent of RBC, and that the information shall be used by the recipient only as approved expressly by RBC. This document shall be returned to RBC upon its request. This document may be subject to certain restrictions under U.S. export control laws and regulations.

DRAWING REVISION C	REVISION BY PVR	DATE 04/23/14	TOLERANCES UNLESS OTHERWISE SPECIFIED: DEC. INCH mm ANGLE .X ±0.1 [±2.5] ±0.5° .XX ±0.01 [±0.25] .XXX ±0.005 [±0.127] .XXXX ±0.0005 [±0.0127]	DRAWN BY LST	Regal Beloit America, Inc.
ECO ECO-0049985	APPROVED BY JD	DATE 04/23/14	DATE 4/3/14	APPROVED BY	
ECO DESCRIPTION UPDATED PER ECO-0049985			REMOVE BURRS & BREAK SHARP EDGES: .003/.015 [.076/.381] CORNER FILLETS: .02 [.51] MACHINED SURFACES: 125/3.2 INCH/mm	DATE	DESCRIPTION LEAD ASSY EXT. WIRING DIA. 3 PH. W/O PROT.
<small>COPYRIGHT REGAL BELOIT AMERICA, INC. ALL RIGHTS RESERVED. PROPRIETARY AND CONFIDENTIAL INFORMATION - THIS DOCUMENT IS THE PROPERTY OF REGAL BELOIT AMERICA, INC. ("OWNER") AND CONTAINS OWNER'S PROPRIETARY INFORMATION. ANY PERSON, CORPORATION OR OTHER FIRM RECEIVING IT IS DEEMED, BY RECEIVING IT, TO AGREE THAT IT, AND/OR ANY PART OF IT, SHALL NOT BE DISCLOSED TO ANY PERSON, CORPORATION OR OTHER ENTITY, DUPLICATED, AND/OR USED, EXCEPT AS EXPRESSLY APPROVED IN WRITING IN ADVANCE BY OWNER. THIS DOCUMENT SHALL BE RETURNED TO OWNER UPON REQUEST. IT MAY BE SUBJECT TO CERTAIN RESTRICTIONS UNDER APPLICABLE EXPORT CONTROL LAWS AND REGULATIONS.</small>			mm SHOWN IN [BRACKETS]	PROCESS/FINISH	MATERIAL
			THIRD ANGLE PROJECTION	SIZE A	DRAWING NUMBER 00501052



P.O. BOX 8003
WAUSAU, WI 54401-8003
PH. 715-675-3311

DATA VOLTS: 460

CERTIFICATION DATA SHEET

CUSTOMER: _____ CUSTOMER P.O. #: _____
 ORDER #: _____ REFERENCE MODEL #: 56TT7W99045
 CONN. DIAGRAM: 005010.52 CAT #: N715A
 OUTLINE: 607-0175-750 WINDING: T634341 FR 7 CUSTOMER PART #: _____
 SPEED: _____ MOUNTING: F1 ONLY

TYPICAL MOTOR PERFORMANCE DATA

HP	KW	SYNC RPM	FL RPM	FRAME	ENCLOSURE	TYPE	KVA CODE	DESIGN	
1.5	1.1	1800	1750	56C	TEFC	TFR	L	B	
PH	HZ	VOLTS	AMPS	START TYPE	DUTY	INSL	S.F.	AMB	ELEV.
3	60/50	230/460#190/380	4.3/2.158/999/9999	LINE OR INVERTER	CONT	F	1.15	40	3300
	F.L. EFF	86.5	3/4 LD EFF	87.2	1/2 LD EFF	84.0	GTD EFF		ELECT. TYPE
	F.L. PF	67.7	3/4 LD PF	63.0	1/2 LD PF	55.0	0.0		SQ CAGE INV RATED
	F.L. TORQUE	LR AMPS @ 460 V	LR TORQUE	BD. TORQUE	F.L. RISE (°C)				
	4.5 LB-FT	18.5	17.2 LB-FT	382%	20.4 LB-FT	453%	45		
	@ 3 FT. POWER	74 DBA	ROTOR WK²	0.14 LB-FT²	0.1 LB-FT²	SAFE STALL TIME	STARTS/HOUR	MOTOR WGT	
	65 DBA					10 SEC.	3	0 LB.	

*** SUPPLEMENTAL INFORMATION ***

DE BRACKET TYPE	ODE BRACKET TYPE	MOUNT TYPE	MOTOR ORIENTATION	SEVERE DUTY	HAZARDOUS LOCATION	DRIP COVER	SCREENS	PAINT
C-FACE	STANDARD	ROUND	HORIZONTAL	NO	NONE	NO	NONE	NO PAINT
BEARINGS	GREASE	SHAFT TYPE	SPECIAL DE	SPECIAL ODE	SHAFT MATERIAL	FRAME MATERIAL		
DE ODE								
BALL BALL	POL YREX EM	STANDARD 56	NONE	NONE	303 STAINLESS (C-501)	STAINLESS STEEL		
6205	6205							
THERMOSTATS	PROTECTORS	WDG RTD's	BRG RTD's	THERMISTORS	CONTROL	SPACE HEATERS		
NONE	NOT	NONE	NONE	NONE	FALSE	NA		
R1 (ohms/ph)	R2 (ohms/ph)	X1 (ohms/ph)	X2 (ohms/ph)	Xm (ohms/ph)	VIBRATION (in/sec)	FLOAT ODE		
0	0	0	0	0	0.080			

* _____	INVERTER TORQUE: CONSTANT 3:1
N _____	INV. HP SPEED RANGE: NONE
O _____	ENCODER: NONE
T _____	NONE
E _____	NONE
S _____	NONE
* _____	BRAKE: NONE
	NONE
	FT-LB: NA
	VOLTAGE: NONE
	HZ: _____

PREPARED BY: EARL BABBITTS
DATE: 10/18/2017

FORM: 3531 REV. 4 2/27/06

UL: V-INS, CONST UL REC

