

PRODUCT INFORMATION PACKET

Model No: 056T34W99010
Catalog No: N232
1,3600,TEFC,56J,3/60/208-230/460
Washdown Duty



Regal and Marathon are trademarks of Regal Beloit Corporation or one of its affiliated companies.
©2018 Regal Beloit Corporation, All Rights Reserved. MC017097E



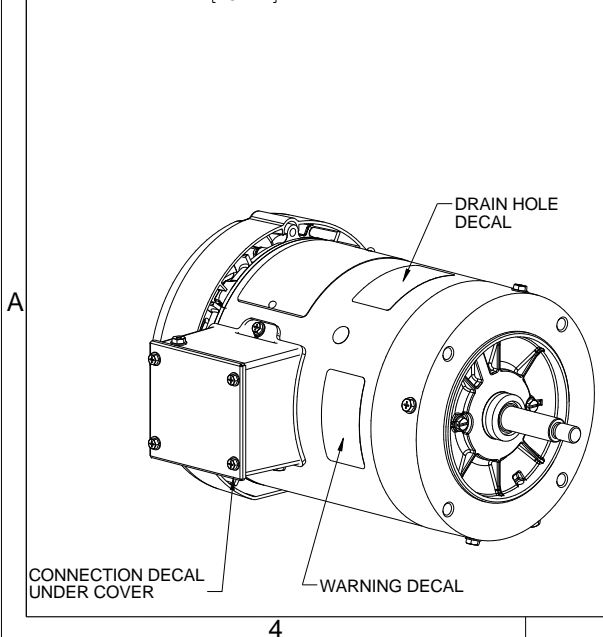
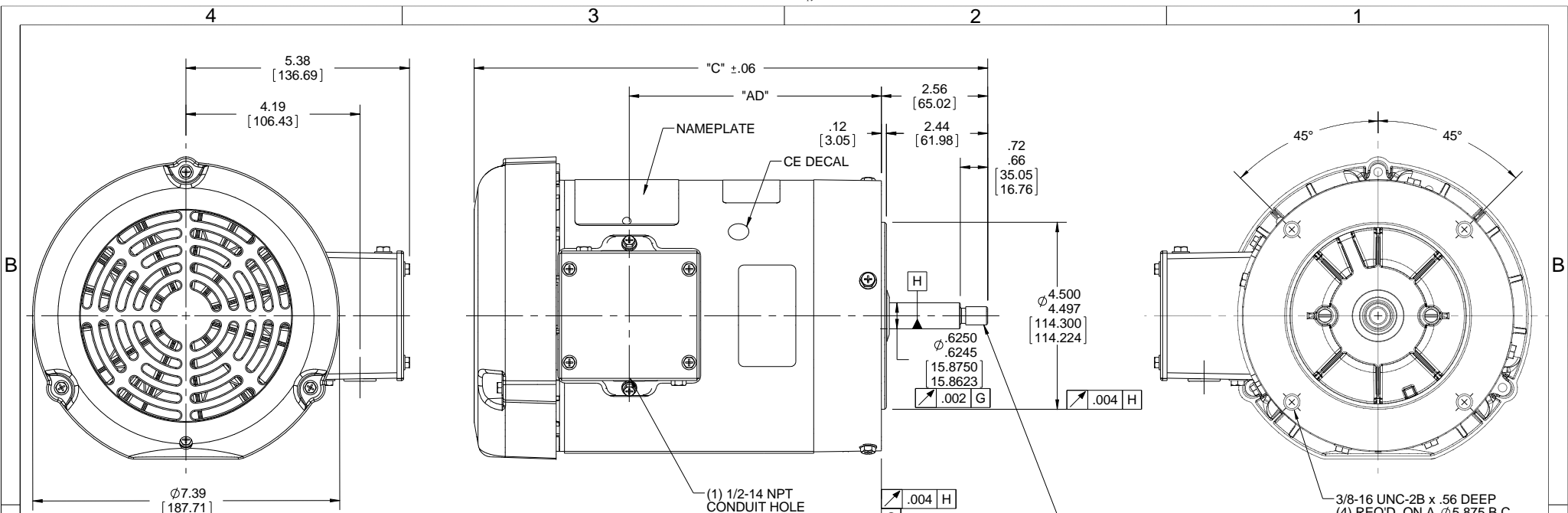
Nameplate Specifications

| | | | |
|----------------------------|------------------------------------|------------------------|----------------------|
| Output HP | 1 Hp | Output KW | 0.75 kW |
| Frequency | 60 Hz | Voltage | 208-230/460 V |
| Current | 3.4-3.2/1.6 A | Speed | 3450 rpm |
| Service Factor | 1.15 | Phase | 3 |
| Efficiency | 77 % | Duty | Continuous |
| Insulation Class | F | Design Code | B |
| KVA Code | J | Frame | 56J |
| Enclosure | Totally Enclosed Fan Cooled | Overload Protector | No |
| Ambient Temperature | 40 °C | Drive End Bearing Size | 6205 |
| Opp Drive End Bearing Size | 6203 | UL | Recognized |
| CSA | Y | CE | Y |
| IP Code | 55 | | |

Technical Specifications

| | | | |
|-----------------------|------------------------------------|-----------------------|------------------------|
| Electrical Type | Squirrel Cage Induction Run | Starting Method | Across The Line |
| Poles | 2 | Rotation | Reversible |
| Mounting | Round | Motor Orientation | Horizontal |
| Drive End Bearing | Ball | Opp Drive End Bearing | Ball |
| Frame Material | Rolled Steel | Shaft Type | J |
| Overall Length | 11.37 in | Frame Length | 5.00 in |
| Shaft Diameter | 0.625 in | Shaft Extension | 2.44 in |
| Assembly/Box Mounting | F1 Only | | |
| Outline Drawing | 607-0015ME-500 | Connection Diagram | 005010.01ME |

This is an uncontrolled document once printed or downloaded and is subject to change without notice. Date Created: 06/29/2018



| DASH NO. | "C" | "AD" |
|----------|-------|------|
| 450 | 10.87 | 4.56 |
| 500 | 11.37 | 5.06 |
| 550 | 11.87 | 5.56 |
| 600 | 12.37 | 6.06 |
| 650 | 12.87 | 6.56 |
| 700 | 13.37 | 7.06 |
| 750 | 13.87 | 7.56 |
| 800 | 14.37 | 8.06 |

WASHGUARD MOTOR

- SPECIAL FEATURES:
1. SHAFT SEALS & V-RING.
 2. PLUGGED DRAIN HOLES IN ENDBELLS & CONDUIT BOX.
 3. BUNA-N GASKETS THROUGHOUT.
 4. STAINLESS STEEL SHAFT, HARDWARE & NAMEPLATE.

| | | | | | |
|---|--------------------------|---------------------------|---|--------------------------------|---|
| DRAWING REVISION D | REVISION BY LK | DATE 03/08/2016 | TOLERANCES UNLESS OTHERWISE SPECIFIED: DEC. INCH mm ANGLE -X +0.1 [+2.5] $\pm 0.5^\circ$.XX ± 0.01 [+0.25] .XXX ± 0.005 [+0.127] .XXXX ± 0.0005 [+0.0127] | DRAWN BY UD 12/27/12 | Regal Beloit America, Inc. |
| ECO ECO-0097906 | APPROVED BY LK | DATE 03/08/2016 | REMOVE BURRS & BREAK SHARP EDGES: .003/.015 [.076/.381] X 45° CORNER FILLETS: R.02 [.51] MACHINED SURFACES: 125/3.2 INCH mm $\sqrt{}$ | DATE | |
| ECO DESCRIPTION ADDED DASH # 800 | | | THIRD ANGLE PROJECTION | APPROVED BY | MATERIAL WASHGUARD - JET PUMP |
| COPYRIGHT REGAL BELOIT AMERICA, INC. ALL RIGHTS RESERVED. PROPRIETARY AND CONFIDENTIAL INFORMATION - THIS DOCUMENT IS THE PROPERTY OF REGAL BELOIT AMERICA, INC. ("OWNER") AND CONTAINS OWNER'S PROPRIETARY INFORMATION. ANY PERSON, CORPORATION OR OTHER FIRM RECEIVING IT IS DEEMED, BY RECEIVING IT, TO AGREE THAT IT, AND/OR ANY PART OF IT, SHALL NOT BE DISCLOSED TO ANY PERSON, CORPORATION OR OTHER ENTITY, DUPLICATED, AND/OR USED, EXCEPT AS EXPRESSLY APPROVED IN WRITING IN ADVANCE BY OWNER. THIS DOCUMENT SHALL BE RETURNED TO OWNER UPON REQUEST. IT MAY BE SUBJECT TO CERTAIN RESTRICTIONS UNDER APPLICABLE EXPORT CONTROL LAWS AND REGULATIONS. | | | SIZE B | DATE | PROCESS/FINISH |
| | | | | REFERENCE | DRAWING NUMBER 607-0015ME |
| | | | | | SHEET 1 OF 1 |

VIEW FROM OUTSIDE OF MOTOR AT SWITCH END.



| VOLTAGE | L1 | L2 | L3 | JOIN & INSULATE |
|---------|-------|-------|-------|-------------------------------|
| HIGH | T1 | T2 | T3 | (T4,T7) (T5,T8) (T6,T9) |
| LOW | T1,T7 | T2,T8 | T3,T9 | T4,T5,T6 |

| | | TOLERANCES UNLESS SPECIFIED | | MARATHON ELECTRIC | | DRAWN RDW 04/12/02 | |
|-----|----------|-----------------------------|--------|--|-------|--------------------|-------------|
| | | DEC. | INCHES | | | CHK | |
| | | .X | ±.1 | | | APPD | |
| | | .XX | ±.01 | TITLE | | SCALE 1=1 | |
| | | .XXX | ±.005 | EXTERNAL WIRING DIAGRAM 3 PHASE W/O PROTECTOR | | REF FIG.2-51 | |
| | | .XXXX | ±.0005 | MAT'L. | | FMF | |
| | | | | DECAL - 004014 | | PREV | |
| NO. | REVISION | BY & DATE | CHK | ANG | ±1/2' | FINISH | |
| | | | RFP | 04/12/02 | | CAD FILE | 00501001ME |
| | | | DIST | | | SIZE | A |
| | | | | | | DRAWING NO. | 005010-01ME |
| | | | | | | REV. | |

THIS DRAWING IN DESIGN AND DETAIL IS OUR PROPERTY AND MUST NOT BE USED EXCEPT IN CONNECTION WITH OUR WORK ALL RIGHTS OF DESIGN AND INVENTION ARE RESERVED THIS IS AN ELECTRONICALLY GENERATED DOCUMENT - DO NOT SCALE THIS PRINT

CERTIFICATION DATA SHEET

Model#: 56T34W99010 A WINDING#: T632161 FR 3
 CONN. DIAGRAM: 005010.01ME ASSEMBLY: F1 ONLY
 OUTLINE: 607-0015ME-500

TYPICAL MOTOR PERFORMANCE DATA

| HP | KW | SYNC. RPM | F.L. RPM | FRAME | ENCLOSURE | KVA CODE | DESIGN |
|-------|---------|-----------|-----------|-------|-----------|----------|--------|
| 1&3/4 | .75&.56 | 3600 | 3450&2850 | 56J | TEFC | J | B |

| PH | Hz | VOLTS | FL AMPS | START TYPE | DUTY | INSL | S.F | AMB°C | ELEVATION |
|----|-------|-----------------------------|-----------------------------|--------------------|----------------|------|-----------|-------|-----------|
| 3 | 60/50 | 208- 230/460#190/ 380 | 3.4- 3.2/1.6&3.6/1. 8 | ACROSS THE LINE | CONTINUOU S | F4 | 1.15/1.15 | 40 | 3300 |

| | | | | | |
|--------------------------|--------------------|--------------------|----------|-----------------|--------------|
| FULL LOAD EFF: 77&77 | 3/4 LOAD EFF: 75.2 | 1/2 LOAD EFF: 69.5 | GTD. EFF | ELEC. TYPE | NO LOAD AMPS |
| FULL LOAD PF: 80&77.9 | 3/4 LOAD PF: 74.3 | 1/2 LOAD PF: 62.6 | 0 | SQ CAGE IND RUN | 1.7 / .9 |

| | | | | |
|-------------|-------------------|---------------|-------------|-------------|
| F.L. TORQUE | LOCKED ROTOR AMPS | L.R. TORQUE | B.D. TORQUE | F.L. RISE°C |
| 1.55 LB-FT | 20 / 10 | 3.6 LB-FT 240 | 5 LB-FT 333 | 0 |

| SOUND PRESSURE @ 3 FT. | SOUND POWER | ROTOR WK^2 | MAX. WK^2 | SAFE STALL TIME | STARTS /HOUR | APPROX. MOTOR WGT |
|------------------------|-------------|--------------|-----------|-----------------|--------------|-------------------|
| 0 dBA | 10 dBA | 0.03 LB-FT^2 | 0 LB-FT^2 | 0 SEC. | 0 | 0 LBS. |

*** SUPPLEMENTAL INFORMATION ***

| DE BRACKET TYPE | ODE BRACKET TYPE | MOUNT TYPE | ORIENTATION | SEVERE DUTY | HAZARDOUS LOCATION | DRIP COVER | SCREENS | PAINT |
|-----------------|------------------|------------|-------------|-------------|--------------------|------------|---------|------------------------|
| C-FACE | STANDARD | ROUND | HORIZONTAL | FALSE | NONE | FALSE | NONE | WHITE - LEESON (EPOXY) |

| BEARINGS | | GREASE | SHAFT TYPE | SPECIAL DE | SPECIAL ODE | SHAFT MATERIAL | FRAME MATERIAL |
|----------|------|------------|------------|------------|-------------|-----------------------|----------------|
| DE | OPE | | | | | | |
| BALL | BALL | POLYREX EM | JET PUMP | NONE | NONE | 303 STAINLESS (C-501) | ROLLED STEEL |
| 6205 | 6203 | | | | | | |

| THERMO-PROTECTORS | | | | THERMISTORS | CONTROL | SPACE /n HEATERS |
|-------------------|------------|----------|----------|-------------|---------|------------------|
| THERMOSTATS | PROTECTORS | WDG RTDs | BRG RTDs | | | |
| NONE | NOT | NONE | NONE | NONE | FALSE | NONE VOLTS |

If Inverter equals NONE, contact factory for further information

*
N
O
T
E
S
*

| | |
|-----------------------|---------------------------|
| INVERTER TORQUE: NONE | INV. HP SPEED RANGE: NONE |
| ENCODER: NONE | NONE NONE |
| NONE NONE PPR | |
| BRAKE: NONE NONE | NONE P/N NONE |
| NONE NONE | |
| NONE FT-LB | NONE V NONE Hz |

DATE: 06/28/2017 05:16:04 AM

FORM 3531 REV.3 02/07/99

** Subject to change without notice.