

PRODUCT INFORMATION PACKET

Model No: 056T8O5303
Catalog No: X511
1/3,900,OPEN,56Y,3/60/50/208-230/460
Condenser Fans



Regal and Marathon are trademarks of Regal Beloit Corporation or one of its affiliated companies.

©2018 Regal Beloit Corporation, All Rights Reserved. MC017097E





Nameplate Specifications

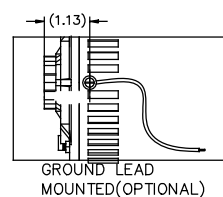
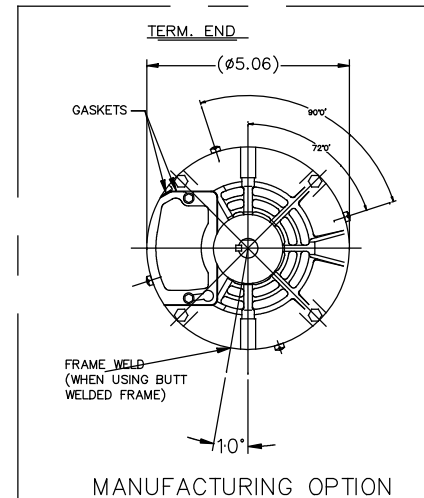
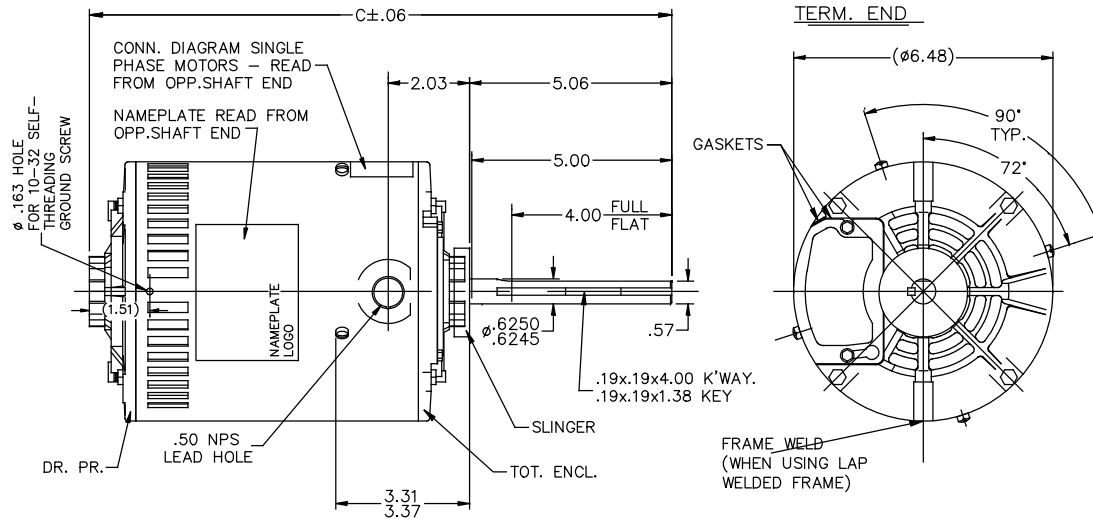
Output HP	0.33 Hp	Output KW	0.25 kW
Frequency	60 Hz	Voltage	208-230/460 V
Current	2.3-2.5/1.3 A	Speed	850 rpm
Service Factor	1	Phase	3
Efficiency	61.5 %	Duty	Continuous
Insulation Class	H	Design Code	NO DESIGN CODE
KVA Code	L	Frame	56Y
Enclosure	Open Air Over	Overload Protector	Auto Lock Rotor Only
Ambient Temperature	70 °C	Drive End Bearing Size	6203
Opp Drive End Bearing Size	6203	UL	Recognized
CSA	Y	CE	N
IP Code	10		

Technical Specifications


Electrical Type	Squirrel Cage Induction Run	Starting Method	Across The Line
Poles	8	Rotation	Reversible
Mounting	Round Belly Band	Motor Orientation	Horizontal
Drive End Bearing	Ball	Opp Drive End Bearing	Ball
Frame Material	Rolled Steel	Shaft Type	Single Special Extension
Overall Length	14.56 in	Frame Length	7.06 in
Shaft Diameter	0.625 in	Shaft Extension	5.06 in
Assembly/Box Mounting	F1 Only		
Outline Drawing	A-100327-706	Connection Diagram	A-102007-1

This is an uncontrolled document once printed or downloaded and is subject to change without notice. Date Created: 07/02/2018

100327

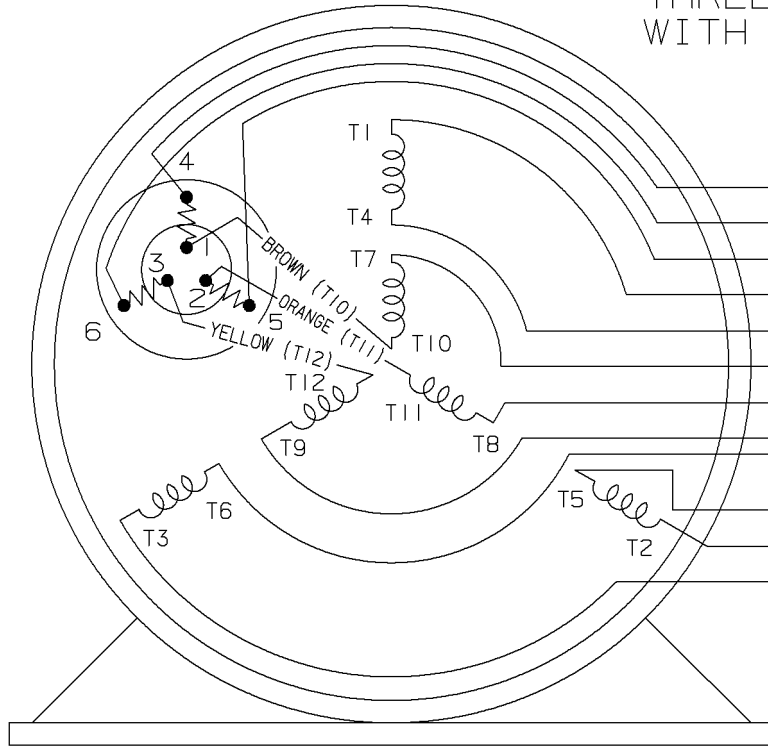


DASH	FRAME	C	DASH	FRAME	C
656	56-65	14.06	856	56-85	16.06
706	"-70	14.56	906	"-90	16.56
756	"-75	15.06	956	"-95	17.06
806	"-80	15.56			

7	ADDED BUTT WELD VIEW	MDP 04-17-2017		TOLERANCES UNLESS SPECIFIED	 Regal Beloit America, Inc.	DRAWN GK 03-24-1989
6	MOVED FR. WELD TO 6:00	MDP 04-06-2017		DEC. INCHES		CHK MB 03-27-1989
5	ADDED OPTIONAL VIEW FOR GRD LEAD	SVL 09-17-2012	ML	.X ±.1	TITLE OUTLINE	APPD FG 03-27-1989
4	REDRAWN IN AUTOCAD	TAT 08-03-2004		.XX ±.03		SCALE 3=8
3	CLARIFIED FRAME PLUG LOCATION CN 24300-165	MH 08-27-1997		.XXX ±.005		REF
2	CHANGED LOC. OF SCREW ON FRAME CN 21725-737	PGK 08-12-1996		.XXXX ±.0005	MAT'L.	FMF
NO.	REVISION	BY & DATE	CHK	ANG ±7'30"	FINISH	PREV

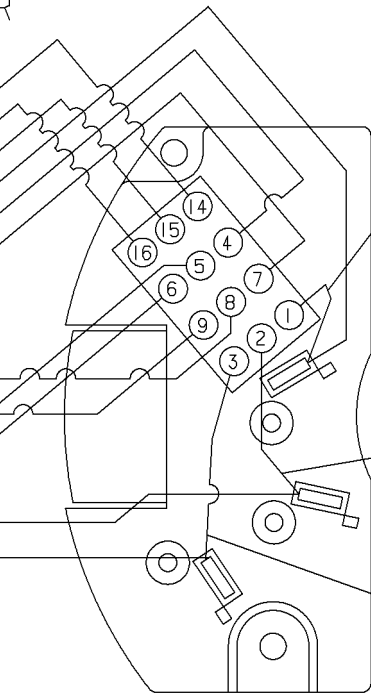
THIS DRAWING IN DESIGN AND DETAIL IS OUR PROPERTY AND MUST NOT BE USED EXCEPT IN CONNECTION WITH OUR WORK ALL RIGHTS OF DESIGN AND INVENTION ARE RESERVED THIS IS AN ELECTRONICALLY GENERATED DOCUMENT - DO NOT SCALE THIS PRINT			RFP	CAD FILE 100327	SIZE A	DRAWING NO. 100327	PAGE OF 7	REV. 7
			DIST WP					

THREE PHASE-DUAL VOLTAGE WITH THERMAL PROTECTOR



VIEW OF TERMINAL END

- (T14) BROWN
- (T16) YELLOW
- (T15) ORANGE
- (T1) RED
- T4
- T7
- T8
- T9
- T6
- T5
- (T2) BLUE
- (T3) BLACK

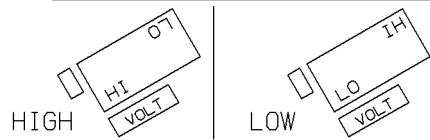


VIEWING BOTTOM OF TERMINAL BOARD

RED
 NUMBERS SHOWN ON TERM BOARD ARE FOR REF. ONLY.
 (NUMBERS DO NOT APPEAR ON PARTS.)

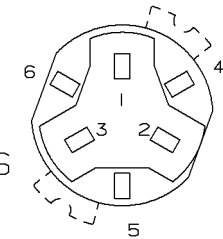
BLUE
 BLACK

TO CHANGE VOLTAGE, PULL PLUG, ROTATE 180° AND REINSERT



CONNECT LINES TO L1, L2 & L3

NOTE:
 ACTUAL PROTECTORS TERMINAL LOCATIONS FOR LEAD CONNECTIONS



4	06-26-1995	1,2,3 WERE SWITCHED WITH 4,5,6 ON THE TERMINAL CN 20644	BR	✓ MAX. SURFACE ROUGHNESS UNLESS NOTED OTHERWISE	UNLESS OTHERWISE SPECIFIED DIMENSIONS ARE IN INCHES TOL. ON XX±.02 XXX±.005 XXXX±.0005 ANGLES± 7°30"			
3	05-18-1994	ADDED ACTUAL PROTECTOR VIEW CN 17481	KL	MATL SPEC				DRAWN BY RM 07-20-1993
2	07-20-1993	REDRAWN ON CADD, ORIGINAL LOST. REV. VCD TO COLORED LEADS CNI3741	RM	REFERENCE DRW.				CHKD BY ET 07-20-1993
REV	DATE	CHANGE	NAME	PART NAME CONNECTION DIAGRAM 3Ø - DUAL VOLTAGE MOTOR	WAUSAU, WISCONSIN 54401			APPD BY ET 07-20-1993
				DRWG NO A- 102007-1				

SHOP BOOK | PURCHASED | DISTRIBUTION - WA - LB - WP - LM - BR | CADD FILE NO. | 102007-1

** Subject to change without notice.