

# PRODUCT INFORMATION PACKET

Model No: 080T17V5331  
Catalog No: R703  
1/2, 1800, TENV, 80, 3/60/208-230/460  
Washdown Duty



Regal and Marathon are trademarks of Regal Beloit Corporation or one of its affiliated companies.  
©2018 Regal Beloit Corporation, All Rights Reserved. MC017097E



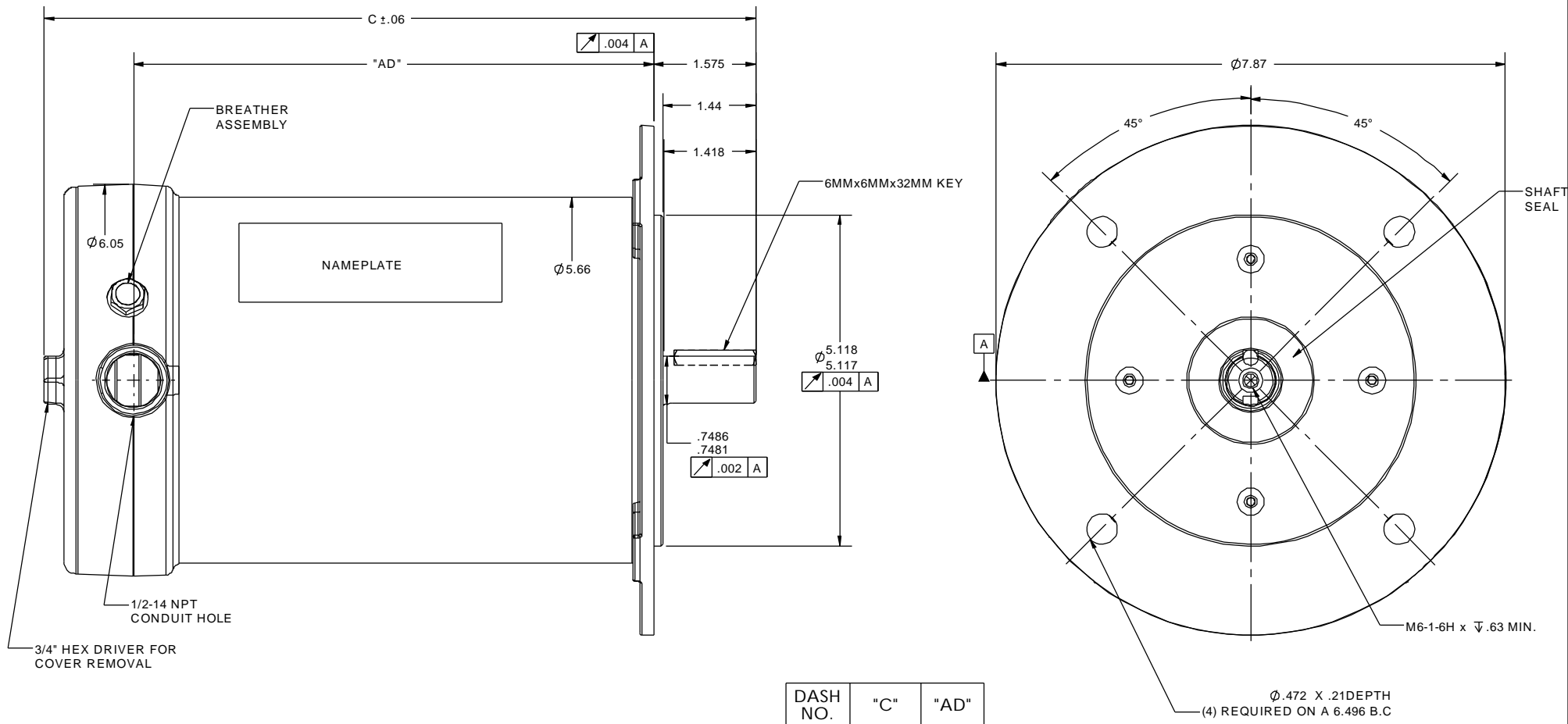
### Nameplate Specifications

Output HP	<b>0.50 Hp</b>	Output KW	<b>0.37 kW</b>
Frequency	<b>60 Hz</b>	Voltage	<b>208-230/460 V</b>
Current	<b>1.9-1.8/0.90 A</b>	Speed	<b>1725 rpm</b>
Service Factor	<b>1.15</b>	Phase	<b>3</b>
Efficiency	<b>76 %</b>	Duty	<b>Continuous</b>
Insulation Class	<b>F</b>	Design Code	<b>B</b>
KVA Code	<b>K</b>	Frame	<b>80</b>
Enclosure	<b>Totally Enclosed Non Ventilated</b>	Overload Protector	<b>No</b>
Ambient Temperature	<b>40 °C</b>	Drive End Bearing Size	<b>6204</b>
Opp Drive End Bearing Size	<b>6204</b>	UL	<b>Recognized</b>
CSA	<b>Y</b>	CE	<b>Y</b>
IP Code	<b>56</b>		

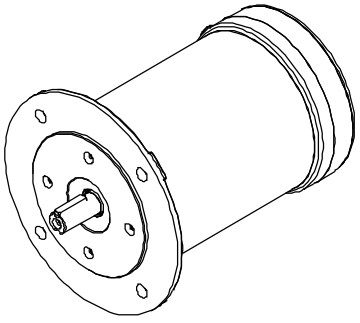
### Technical Specifications

Electrical Type	<b>Squirrel Cage Induction Run</b>	Starting Method	<b>Across The Line</b>
Poles	<b>4</b>	Rotation	<b>Reversible</b>
Mounting	<b>Round</b>	Motor Orientation	<b>Horizontal</b>
Drive End Bearing	<b>Ball</b>	Opp Drive End Bearing	<b>Ball</b>
Frame Material	<b>Stainless Steel</b>	Shaft Type	<b>IEC</b>
Overall Length	<b>11.47 in</b>	Shaft Diameter	<b>0.750 in</b>
Shaft Extension	<b>1.57 in</b>	Assembly/Box Mounting	<b>F1 Only</b>
Outline Drawing	<b>031996ME-725</b>	Connection Diagram	<b>005010.01ME</b>

This is an uncontrolled document once printed or downloaded and is subject to change without notice. Date Created: 06/29/2018

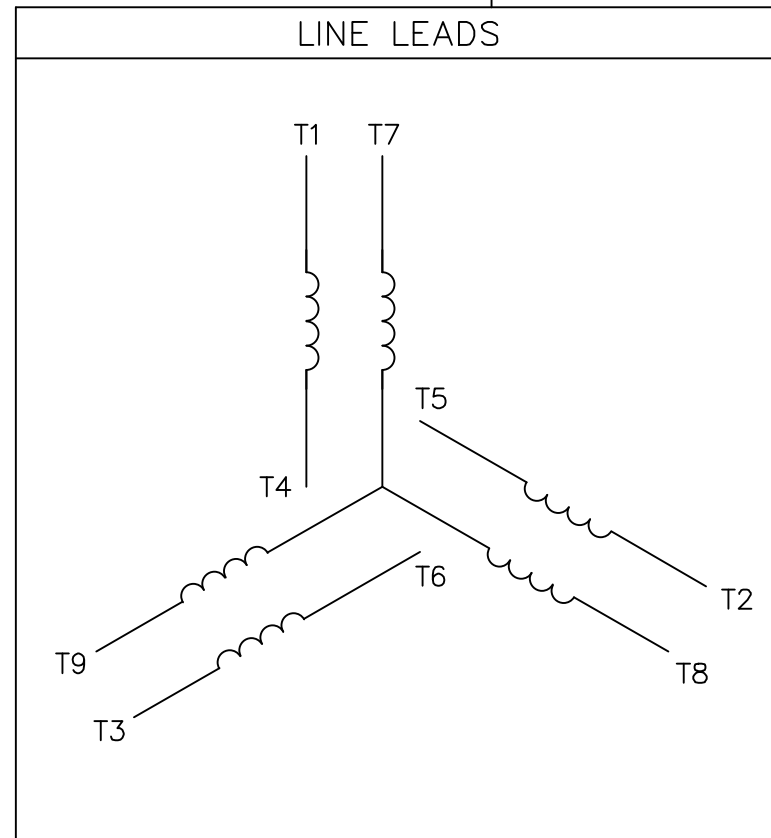
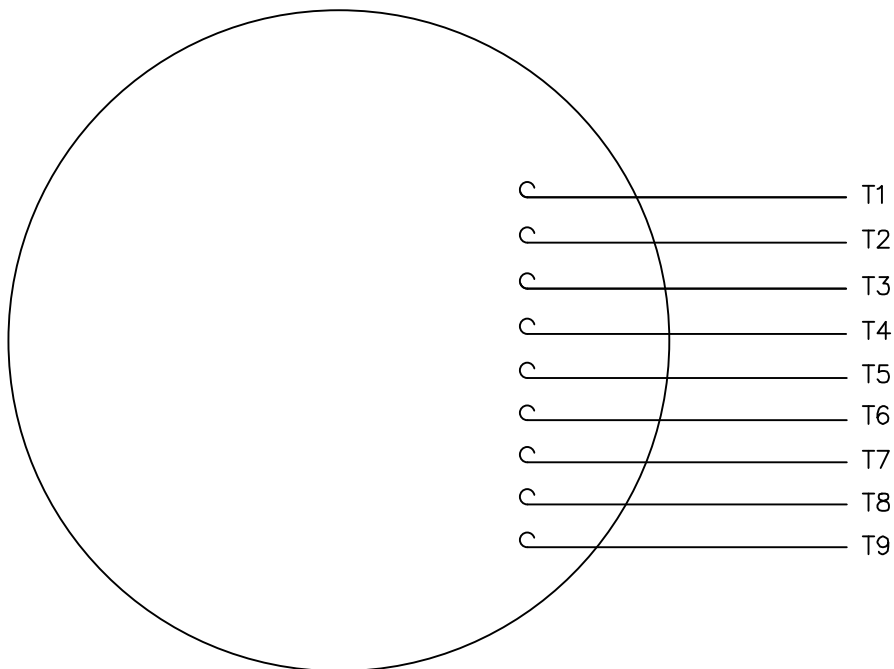


DASH NO.	"C"	"AD"
550	9.72	6.75
600	10.22	7.25
650	10.72	7.75
700	11.22	8.25
725	11.47	8.50
750	11.72	8.75



NO		REVISION	BY & DATE	CHK LANG ±1/2°	FINISH			DRAWN PVR 10/09/13 CHK JD 10/09/13 APPR
				TOLERANCES UNLESS SPECIFIED			TITLE OUTLINE - PREMIUM DUCK	SCALE 1:4
				DEC INCHES			IEC 80- B5 FRAME- ROUND	REF 031996
				X ±.1			MAT'L	FMF 080T17V5326
				XX ±.03			PREV	PAGE 1 OF 1
				XXX ±.005			SIZE B	DRAWING NO 031996ME
				XXXX ±.0005			NETWORK FILE NAME 031996ME	REV
				THIRD ANGLE PROJECTION				

VIEW FROM OUTSIDE OF MOTOR AT SWITCH END.



VOLTAGE	L1	L2	L3	JOIN & INSULATE
HIGH	T1	T2	T3	(T4,T7) (T5,T8) (T6,T9)
LOW	T1,T7	T2,T8	T3,T9	T4,T5,T6

		TOLERANCES UNLESS SPECIFIED		DRAWN RDW 04/12/02					
		DEC.	INCHES	CHK					
		.X	±.1	APPD					
		.XX	±.01	SCALE 1=1					
		.XXX	±.005	REF FIG.2-51					
		.XXXX	±.0005	FMF					
NO.	REVISION	BY & DATE	CHK	ANG	FINISH	PREV			
				±1/2'					
THIS DRAWING IN DESIGN AND DETAIL IS OUR PROPERTY AND MUST NOT BE USED EXCEPT IN CONNECTION WITH OUR WORK ALL RIGHTS OF DESIGN AND INVENTION ARE RESERVED THIS IS AN ELECTRONICALLY GENERATED DOCUMENT - DO NOT SCALE THIS PRINT			RFP	04/12/02	CAD FILE	00501001ME	SIZE	DRAWING NO.	REV.
			DIST				A	005010-01ME	



TITLE EXTERNAL WIRING DIAGRAM  
3 PHASE W/O PROTECTOR  
MAT'L. DECAL - 004014

CERTIFICATION DATA SHEET

Model#: 80T17V5331 A WINDING#: T55464 NR 3  
 CONN. DIAGRAM: 005010.01ME ASSEMBLY: F1 ONLY  
 OUTLINE: 031996ME-725

TYPICAL MOTOR PERFORMANCE DATA

HP	KW	SYNC. RPM	F.L. RPM	FRAME	ENCLOSURE	KVA CODE	DESIGN
1/2&1/2	.37&.37	1800	1725&1425	80	TENV	K	B

PH	Hz	VOLTS	FL AMPS	START TYPE	DUTY	INSL	S.F	AMB°C	ELEVATION
3	60/50	208- 230/460#190/ 380	1.9- 1.8/0.9&1.9/0. 95	ACROSS THE LINE	CONTINUOU S	F4	1.15/1.0	40	3300

FULL LOAD EFF: 76&78.5	3/4 LOAD EFF: 73.8	1/2 LOAD EFF: 69.1	GTD. EFF	ELEC. TYPE	NO LOAD AMPS
FULL LOAD PF: 74&81.2	3/4 LOAD PF: 67	1/2 LOAD PF: 55.4	0	SQ CAGE IND RUN	1 / .5

F.L. TORQUE	LOCKED ROTOR AMPS	L.R. TORQUE	B.D. TORQUE	F.L. RISE°C
24 LB-FT	10.6 / 5.3	106 LB-FT 442	100 LB-FT 417	0

SOUND PRESSURE @ 3 FT.	SOUND POWER	ROTOR WK^2	MAX. WK^2	SAFE STALL TIME	STARTS /HOUR	APPROX. MOTOR WGT
0 dBA	10 dBA	0 LB-FT^2	0 LB-FT^2	10 SEC.	0	0 LBS.

\*\*\* SUPPLEMENTAL INFORMATION \*\*\*

DE BRACKET TYPE	ODE BRACKET TYPE	MOUNT TYPE	ORIENTATION	SEVERE DUTY	HAZARDOUS LOCATION	DRIP COVER	SCREENS	PAINT
B5	STANDARD	ROUND	HORIZONTAL	FALSE	NONE	FALSE	NONE	NO PAINT

BEARINGS		GREASE	SHAFT TYPE	SPECIAL DE	SPECIAL ODE	SHAFT MATERIAL	FRAME MATERIAL
DE	OPE						
BALL	BALL	POLYREX EM	STANDARD IEC	NONE	NONE	303 STAINLESS (C-501)	STAINLESS STEEL
6204	6204						

THERMO-PROTECTORS				THERMISTORS	CONTROL	SPACE /n HEATERS
THERMOSTATS	PROTECTORS	WDG RTDs	BRG RTDs			
NONE	NOT	NONE	NONE	NONE	FALSE	NONE VOLTS

If Inverter equals NONE, contact factory for further information

INVERTER TORQUE: NONE
INV. HP SPEED RANGE: NONE
ENCODER: NONE
NONE NONE
NONE NONE PPR
BRAKE: NONE NONE
NONE P/N NONE
NONE NONE
NONE FT-LB NONE V NONE Hz

\*  
N  
O  
T  
E  
S  
\*

DATE: 06/28/2017 04:01:08 AM  
 FORM 3531 REV.3 02/07/99

\*\* Subject to change without notice.