

PRODUCT INFORMATION PACKET

Model No: 080T17W5327
Catalog No: R712
3/4, 1800, TEFC, 80, 3/60/208-230/460
Washdown Duty



Regal and Marathon are trademarks of Regal Beloit Corporation or one of its affiliated companies.
©2018 Regal Beloit Corporation, All Rights Reserved. MC017097E



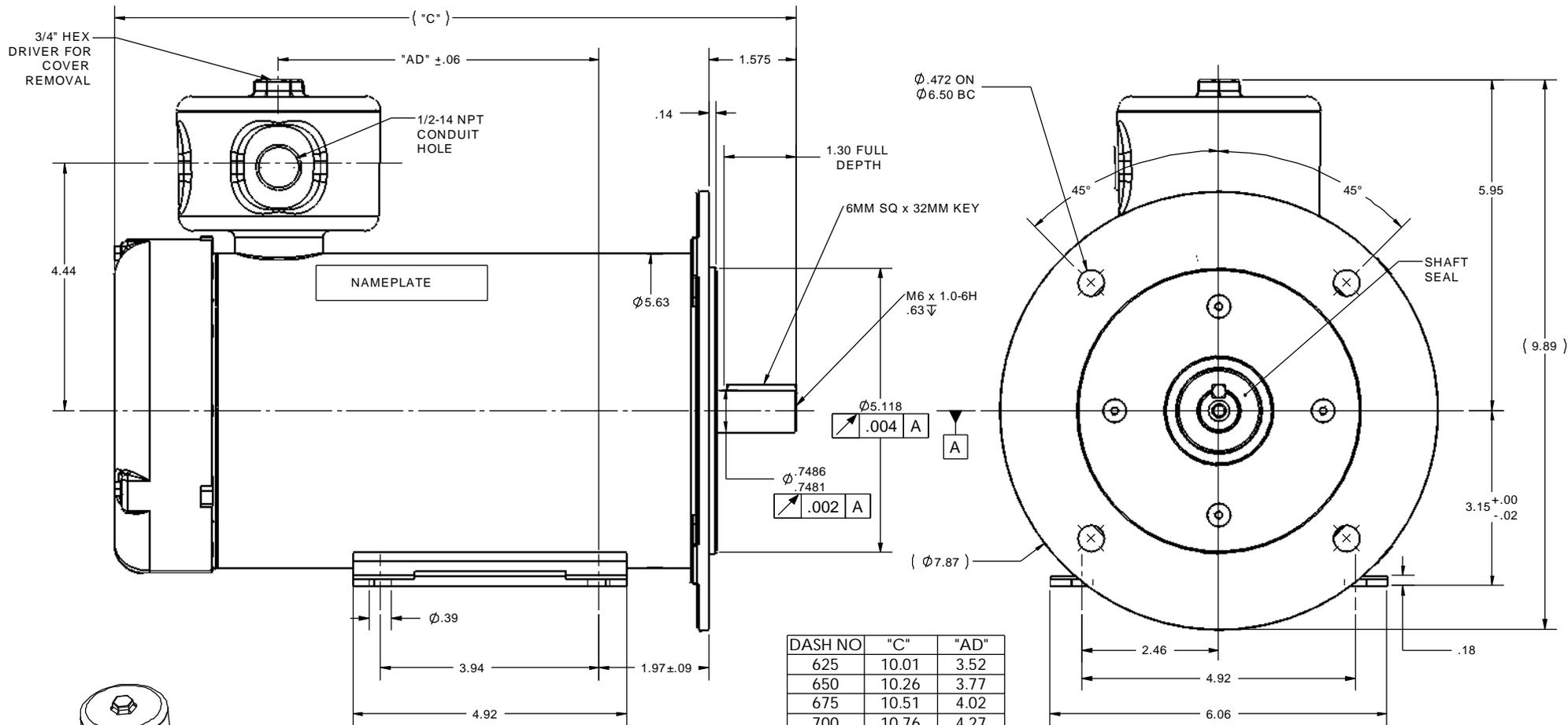
Nameplate Specifications

Output HP	0.75 Hp	Output KW	0.56 kW
Frequency	60 Hz	Voltage	208-230/460 V
Current	2.5-2.4/1.2 A	Speed	1725 rpm
Service Factor	1.15	Phase	3
Efficiency	78.5 %	Duty	Continuous
Insulation Class	F	Design Code	B
KVA Code	K	Frame	80
Enclosure	Totally Enclosed Fan Cooled	Overload Protector	No
Ambient Temperature	40 °C	Drive End Bearing Size	6204
Opp Drive End Bearing Size	6204	UL	Recognized
CSA	Y	CE	Y
IP Code	56		

Technical Specifications

Electrical Type	Squirrel Cage Induction Run	Starting Method	Across The Line
Poles	4	Rotation	Reversible
Mounting	Rigid base	Motor Orientation	Horizontal
Drive End Bearing	Ball	Opp Drive End Bearing	Ball
Frame Material	Stainless Steel	Shaft Type	IEC
Overall Length	12.26 in	Shaft Diameter	0.750 in
Shaft Extension	1.57 in	Assembly/Box Mounting	F3
Outline Drawing	032026ME-850	Connection Diagram	005010-01ME

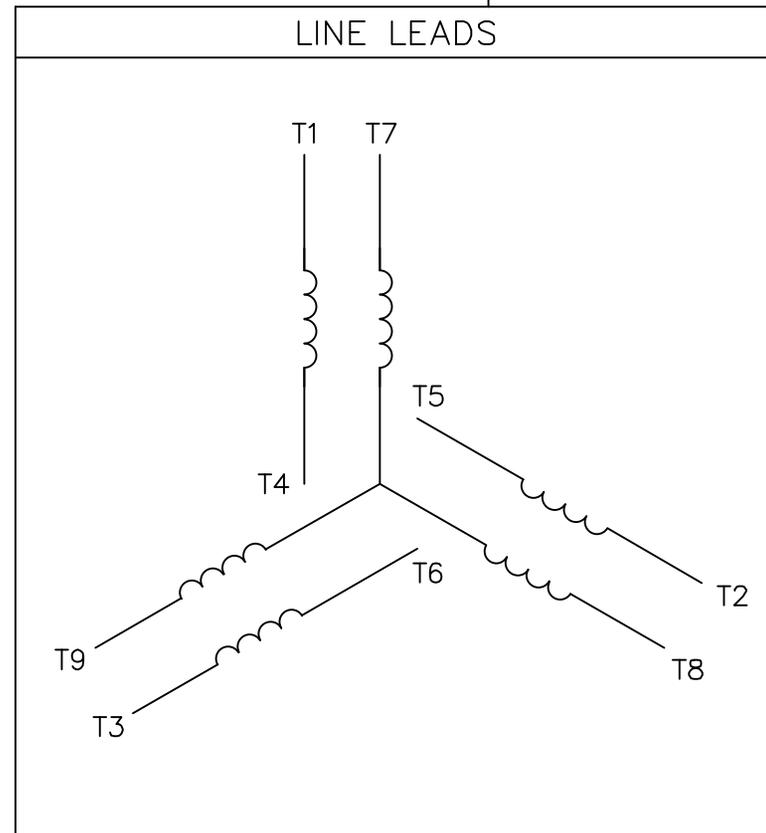
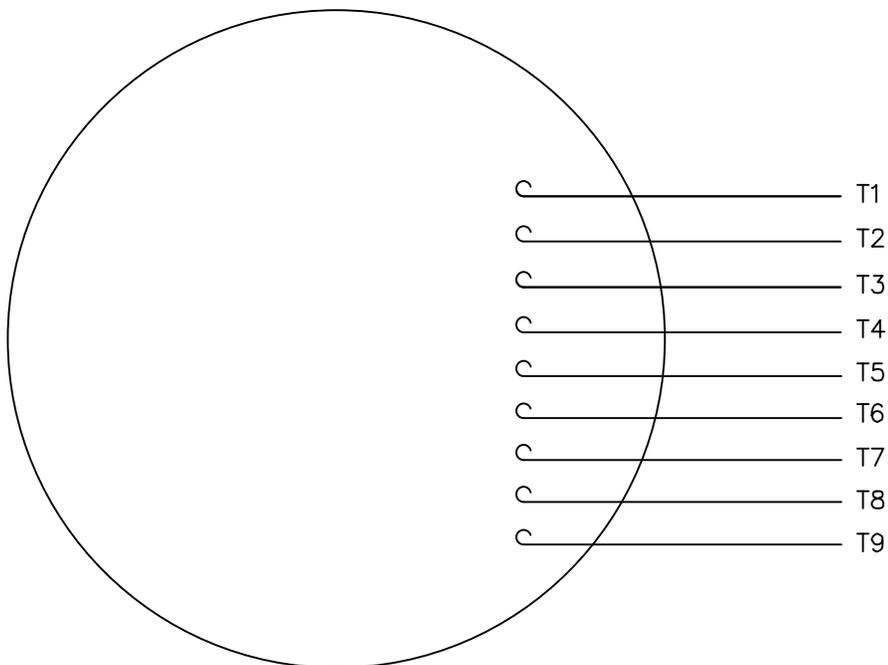
This is an uncontrolled document once printed or downloaded and is subject to change without notice. Date Created: 06/29/2018



DASH NO	"C"	"AD"
625	10.01	3.52
650	10.26	3.77
675	10.51	4.02
700	10.76	4.27
725	11.01	4.52
750	11.26	4.77
775	11.51	5.02
800	11.76	5.27
825	12.01	5.52
850	12.26	5.77

NO		REVISION	BY & DATE	CHK	ANG	±1/2°	FINISH			DRAWN PVR 10/08/13
								TITLE OUTLINE - 48 FR STAINLESS STEEL IEC-80 B5 FRAME		CHK JD 10/08/13
								MAT'L		APPR
								NETWORK FILE NAME 032026ME		SCALE 1:2
								RFP		REF 032026
								PREV		FMF 080T17W5327
								SIZE B		PAGE OF
								DRAWING NO 032026ME		REV

VIEW FROM OUTSIDE OF MOTOR AT SWITCH END.



VOLTAGE	L1	L2	L3	JOIN & INSULATE
HIGH	T1	T2	T3	(T4,T7) (T5,T8) (T6,T9)
LOW	T1,T7	T2,T8	T3,T9	T4,T5,T6

		TOLERANCES UNLESS SPECIFIED		MARATHON ELECTRIC		DRAWN RDW 04/12/02	
		DEC.	INCHES			CHK	
		.X	±.1			APPD	
		.XX	±.01	TITLE		SCALE 1=1	
		.XXX	±.005	EXTERNAL WIRING DIAGRAM 3 PHASE W/O PROTECTOR		REF FIG.2-51	
		.XXXX	±.0005	MAT'L.		FMF	
				DECAL - 004014		PREV	
NO.	REVISION	BY & DATE	CHK	ANG	±1/2'	FINISH	
			RFP	04/12/02		CAD FILE	00501001ME
			DIST			SIZE	A
						DRAWING NO.	005010-01ME
						REV.	

THIS DRAWING IN DESIGN AND DETAIL IS OUR PROPERTY AND MUST NOT BE USED EXCEPT IN CONNECTION WITH OUR WORK ALL RIGHTS OF DESIGN AND INVENTION ARE RESERVED THIS IS AN ELECTRONICALLY GENERATED DOCUMENT - DO NOT SCALE THIS PRINT

CERTIFICATION DATA SHEET

Model#: 80T17W5327 A WINDING#: T55465 FR 3
 CONN. DIAGRAM: 005010-01ME ASSEMBLY: F3
 OUTLINE: 032026ME-850

TYPICAL MOTOR PERFORMANCE DATA

HP	KW	SYNC. RPM	F.L. RPM	FRAME	ENCLOSURE	KVA CODE	DESIGN
3/4&3/4	.56&.56	1800	1725&1425	80	TEFC	K	B

PH	Hz	VOLTS	FL AMPS	START TYPE	DUTY	INSL	S.F	AMB°C	ELEVATION
3	60/50	208- 230/460#190/ 380	2.5- 2.4/1.2&2.6/1. 3	ACROSS THE LINE	CONTINUOU S	F4	1.15/1.0	40	3300

FULL LOAD EFF: 78.5&78.5	3/4 LOAD EFF: 76.7	1/2 LOAD EFF: 72.6	GTD. EFF	ELEC. TYPE	NO LOAD AMPS
FULL LOAD PF: 79&83.6	3/4 LOAD PF: 72.6	1/2 LOAD PF: 60.9	0	SQ CAGE IND RUN	1.3 / .7

F.L. TORQUE	LOCKED ROTOR AMPS	L.R. TORQUE	B.D. TORQUE	F.L. RISE°C
36 LB-FT	16 / 8	150 LB-FT 417	145 LB-FT 403	0

SOUND PRESSURE @ 3 FT.	SOUND POWER	ROTOR WK^2	MAX. WK^2	SAFE STALL TIME	STARTS /HOUR	APPROX. MOTOR WGT
0 dBA	10 dBA	0 LB-FT^2	0 LB-FT^2	10 SEC.	0	0 LBS.

*** SUPPLEMENTAL INFORMATION ***

DE BRACKET TYPE	ODE BRACKET TYPE	MOUNT TYPE	ORIENTATION	SEVERE DUTY	HAZARDOUS LOCATION	DRIP COVER	SCREENS	PAINT
B5	STANDARD	RIGID	HORIZONTAL	FALSE	NONE	FALSE	NONE	NO PAINT

BEARINGS		GREASE	SHAFT TYPE	SPECIAL DE	SPECIAL ODE	SHAFT MATERIAL	FRAME MATERIAL
DE	OPE						
BALL	BALL	POLYREX EM	STANDARD IEC	NONE	NONE	303 STAINLESS (C-501)	STAINLESS STEEL
6204	6204						

THERMO-PROTECTORS				THERMISTORS	CONTROL	SPACE /n HEATERS
THERMOSTATS	PROTECTORS	WDG RTDs	BRG RTDs			
NONE	NOT	NONE	NONE	NONE	FALSE	NONE VOLTS

If Inverter equals NONE, contact factory for further information

INVERTER TORQUE: NONE
INV. HP SPEED RANGE: NONE
ENCODER: NONE
NONE NONE
NONE NONE PPR
BRAKE: NONE NONE
NONE P/N NONE
NONE NONE
NONE FT-LB NONE V NONE Hz

*
N
O
T
E
S
*

DATE: 06/28/2017 04:03:08 AM
 FORM 3531 REV.3 02/07/99

** Subject to change without notice.