

PRODUCT INFORMATION PACKET

Model No: 145TTDR16008

Catalog No: U906A

2 HP General Purpose Motor, 3 phase, 3600 RPM, 575 V, 145T Frame, ODP
Three Phase ODP Motors



Regal and Marathon are trademarks of Regal Beloit Corporation or one of its affiliated companies.
©2020 Regal Beloit Corporation, All Rights Reserved. MC017097E

REGAL

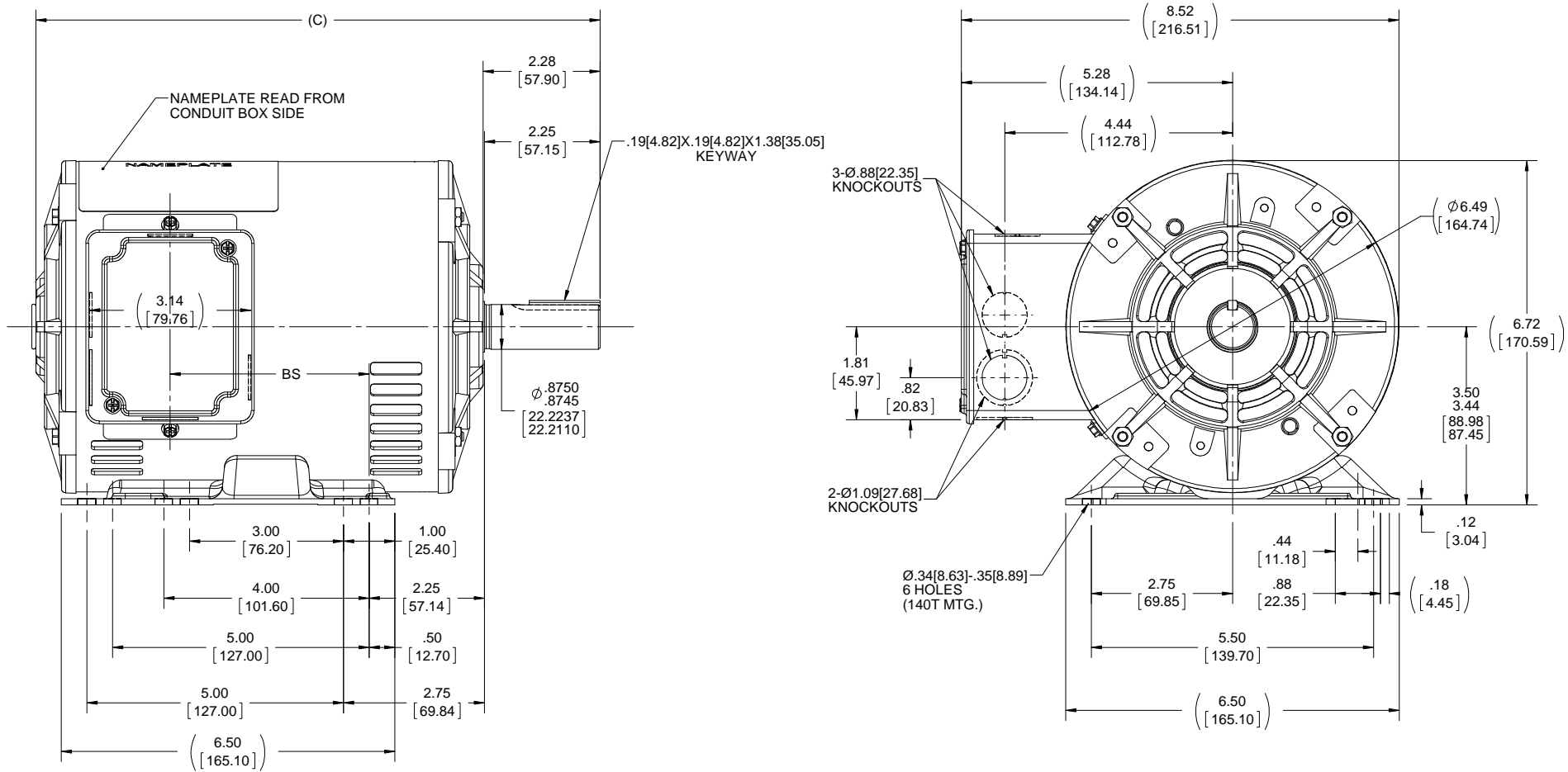
Nameplate Specifications

| | | | |
|------------------------|-------------------|----------------------------|-------------------|
| Output HP | 2 Hp | Output KW | 1.5 kW |
| Frequency | 60 Hz | Voltage | 575 V |
| Current | 2.2 A | Speed | 3510 rpm |
| Service Factor | 1.15 | Phase | 3 |
| Efficiency | 86.5 % | Power Factor | 78.5 |
| Duty | Continuous | Insulation Class | F |
| Design Code | B | KVA Code | L |
| Frame | 145T | Enclosure | Drip Proof |
| Thermal Protection | No | Ambient Temperature | 40 °C |
| Drive End Bearing Size | 6205 | Opp Drive End Bearing Size | 6203 |
| UL | Recognized | CSA | Y |
| CE | Y | IP Code | 22 |

Technical Specifications

| | | | |
|-----------------------|-------------------------------------|-----------------------|-------------------------|
| Electrical Type | Squirrel Cage Inverter Rated | Starting Method | Line Or Inverter |
| Poles | 2 | Rotation | Reversible |
| Resistance Main | 7.6 Ohms | Mounting | Rigid base |
| Motor Orientation | Horizontal | Drive End Bearing | Ball |
| Opp Drive End Bearing | Ball | Frame Material | Rolled Steel |
| Shaft Type | T | Overall Length | 10.99 in |
| Frame Length | 7.06 in | Shaft Diameter | 0.875 in |
| Shaft Extension | 2.28 in | Assembly/Box Mounting | F1 ONLY |
| Connection Drawing | A-EE7300 | Outline Drawing | A-100085-706 |

This is an uncontrolled document once printed or downloaded and is subject to change without notice. Date Created:18/06/2020



NOTES:
1.CONDUIT BOX CAN BE ROTATED 180°.

| | | | | | | | | | |
|----------|---------------|--------------|--|--------------------------|--------------------|--|---------------------|---------------------------------|---|
| DASH NO. | "C" | "BS" | DRAWING REVISION E | REVISION BY A. KEETHA | DATE 01-09-2018 | TOLERANCES UNLESS OTHERWISE SPECIFIED: DEC. INCH mm ANGLE -X +0.1 [+2.5] ±7-30° .XX +0.03 [+0.76] .XXX +0.005 [+0.127] .XXXX ±0.0005 [+0.0127] | DRAWN BY GK | Regal Beloit America, Inc. | |
| 706 | 10.99[279.14] | 3.87[98.29] | ECO ECO-0143026 | APPROVED BY PST | DATE 04/11/2018 | REMOVE BURRS & BREAK SHARP EDGES: .003/.015 [.076/.381] X 45° CORNER FILLETS: R.02 [.51] | DATE 02-04-1988 | | DESCRIPTION OUTLINE 140T & 56HZ - DR.PR. |
| 756 | 11.49[291.84] | 4.37[110.99] | ECO DESCRIPTION OUTLINE CONVERSION PROJECT | | | PROPRIETARY AND CONFIDENTIAL INFORMATION - THIS DOCUMENT IS THE PROPERTY OF REGAL BELOIT AMERICA, INC. (OWNER) AND CONTAINS OWNER'S PROPRIETARY INFORMATION. ANY PERSON, CORPORATION OR OTHER FIRM RECEIVING IT IS DEEMED, BY RECEIVING IT, TO AGREE THAT IT, AND/OR ANY PART OF IT, SHALL NOT BE DISCLOSED TO ANY PERSON, CORPORATION OR OTHER ENTITY, DUPLICATED, AND/OR USED, EXCEPT AS EXPRESSLY APPROVED IN WRITING IN ADVANCE BY OWNER. THIS DOCUMENT SHALL BE RETURNED TO OWNER UPON REQUEST. IT MAY BE SUBJECT TO CERTAIN RESTRICTIONS UNDER APPLICABLE EXPORT CONTROL LAWS AND REGULATIONS. | APPROVED BY FG | MATERIAL | |
| 806 | 11.99[304.54] | 4.87[123.69] | MACHINED SURFACES: 200 5.1 mm SHOWN IN [BRACKETS] | | | DATE 02-04-1998 | REFERENCE 100085 | PROCESS/FINISH | |
| 856 | 12.49[317.24] | 5.37[136.39] | | | | THIRD ANGLE PROJECTION | SIZE B | DRAWING NUMBER 100085 | SHEET 1 OF 1 |
| 906 | 12.99[329.94] | 5.87[149.09] | | | | | | | |
| 956 | 13.49[342.64] | 6.37[161.79] | | | | | | | |

**THREE PHASE - SINGLE VOLTAGE
MOTOR - CONDUIT BOX @ 'A'**

**TO REVERSE ROTATION:
INTERCHANGE ANY TWO
LINE LEAD CONNECTIONS.**

TERMINAL BLOCK WHEN SPECIFIED



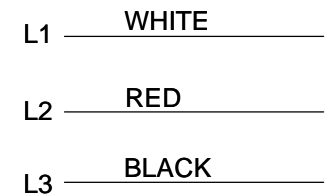
VIEW OF TERMINAL END

**IF MOTOR HAS
6 LEADS**



A-9806 DECAL

**OPTIONAL CORD
CONNECTION**



| | | |
|---|---------------------------|---------------------------|
| DRAWING REVISION AB | REVISION BY JJB | DATE 06-27-2017 |
| ECO ECO-0125361 | APPROVED BY TB | DATE 06-27-2017 |
| ECO DESCRIPTION UPDATED TO CURRENT STANDARDS | | |
| <small>COPYRIGHT REGAL BELOIT AMERICA, INC. ALL RIGHTS RESERVED. PROPRIETARY AND CONFIDENTIAL INFORMATION - THIS DOCUMENT IS THE PROPERTY OF REGAL BELOIT AMERICA, INC. ("OWNER") AND CONTAINS OWNER'S PROPRIETARY INFORMATION. ANY PERSON, CORPORATION OR OTHER FIRM RECEIVING IT IS DEEMED, BY RECEIVING IT, TO AGREE THAT IT, AND/OR ANY PART OF IT, SHALL NOT BE DISCLOSED TO ANY PERSON, CORPORATION OR OTHER ENTITY, DUPLICATED, AND/OR USED, EXCEPT AS EXPRESSLY APPROVED IN WRITING IN ADVANCE BY OWNER. THIS DOCUMENT SHALL BE RETURNED TO OWNER UPON REQUEST. IT MAY BE SUBJECT TO CERTAIN RESTRICTIONS UNDER APPLICABLE EXPORT CONTROL LAWS AND REGULATIONS.</small> | | |



| |
|---------------------------|
| DRAWN BY DA |
| DATE 03-26-1993 |
| APPROVED BY TB |
| DATE 03-26-1993 |
| REFERENCE |
| THIRD ANGLE PROJECTION |

| | | |
|-----------------------------------|---------------------------------|--|
| Regal Beloit America, Inc. | | |
| | | DESCRIPTION CONNECTION DIAGRAM EXTERNAL - SINGLE VOLTAGE - 3Ø MOTOR |
| MATERIAL | PROCESS/FINISH | |
| SIZE A | DRAWING NUMBER EE7300 | SHEET 1 OF 1 |

CERTIFICATION DATA SHEET

Model#: 145TTDR16008 AA WINDING#: ZT224 DR 2
 CONN. DIAGRAM: A-EE7300 ASSEMBLY: F1 ONLY
 OUTLINE: A-100085-706

TYPICAL MOTOR PERFORMANCE DATA

| HP | KW | SYNC. RPM | F.L. RPM | FRAME | ENCLOSURE | KVA CODE | DESIGN |
|----|------|-----------|----------|-------|-----------|----------|--------|
| 2 | 1.49 | 3600 | 3510 | 145T | DP | L | B |

| PH | Hz | VOLTS | FL AMPS | START TYPE | DUTY | INSL | S.F | AMB°C | ELEVATION |
|----|----|-------|---------|---------------------|------------|------|------|-------|-----------|
| 3 | 60 | 575 | 2.2 | LINE OR INVERTER | CONTINUOUS | F3 | 1.15 | 40 | 3300 |

| FULL LOAD EFF: 86.5 | 3/4 LOAD EFF: 86 | 1/2 LOAD EFF: 83 | GTD. EFF | ELEC. TYPE | NO LOAD AMPS |
|---------------------|------------------|------------------|----------|-------------------|--------------|
| FULL LOAD PF: 78.5 | 3/4 LOAD PF: 71 | 1/2 LOAD PF: 58 | 84 | SQ CAGE INV RATED | 1.2 |

| F.L. TORQUE | LOCKED ROTOR AMPS | L.R. TORQUE | B.D. TORQUE | F.L. RISE°C |
|-------------|-------------------|-------------|----------------|-------------|
| 3 LB-FT | 19.4 | 9 LB-FT 300 | 12.8 LB-FT 427 | 38 |

| SOUND PRESSURE @ 3 FT. | SOUND POWER | ROTOR WK^2 | MAX. WK^2 | SAFE STALL TIME | STARTS /HOUR | APPROX. MOTOR WGT |
|------------------------|-------------|---------------|-----------|-----------------|--------------|-------------------|
| 68 dBA | 78 dBA | 0.034 LB-FT^2 | 4 LB-FT^2 | 15 SEC. | 2 | 30 LBS. |

*** SUPPLEMENTAL INFORMATION ***

| DE BRACKET TYPE | ODE BRACKET TYPE | MOUNT TYPE | ORIENTATION | SEVERE DUTY | HAZARDOUS LOCATION | DRIP COVER | SCREENS | PAINT |
|-----------------|------------------|------------|-------------|-------------|--------------------|------------|---------|---------------|
| STANDARD | STANDARD | RIGID | HORIZONTAL | FALSE | NONE | FALSE | NONE | BLUE (POWDER) |

| BEARINGS | | GREASE | SHAFT TYPE | SPECIAL DE | SPECIAL ODE | SHAFT MATERIAL | FRAME MATERIAL |
|----------|------|------------|------------|------------|-------------|--------------------------|----------------|
| DE | OPE | | | | | | |
| BALL | BALL | POLYREX EM | T | NONE | NONE | 1144 STRESSPROOF (C-223) | ROLLED STEEL |
| 6205 | 6203 | | | | | | |

| THERMO-PROTECTORS | | | | THERMISTORS | CONTROL | SPACE /n HEATERS |
|-------------------|------------|----------|----------|-------------|---------|------------------|
| THERMOSTATS | PROTECTORS | WDG RTDs | BRG RTDs | | | |
| NONE | NOT | NONE | NONE | NONE | FALSE | NONE VOLTS |

If Inverter equals NONE, contact factory for further information

*
N
O
T
E
S
*

| |
|--------------------------------|
| INVERTER TORQUE: CONSTANT 10:1 |
| INV. HP SPEED RANGE: NONE |
| ENCODER: NONE |
| NONE NONE |
| NONE NONE PPR |
| BRAKE: NONE NONE |
| NONE P/N NONE |
| NONE NONE |
| - FT-LB NONE V NONE Hz |

DATE: 06/23/2017 02:11:54 AM
 FORM 3531 REV.3 02/07/99
 ** Subject to change without notice.

Data Sheet

Date: 19-06-2017
 Customer: _____
 Attention: _____
 Submitted by: FAREEDA DUDEKULA



145TTDR16008

Submittal

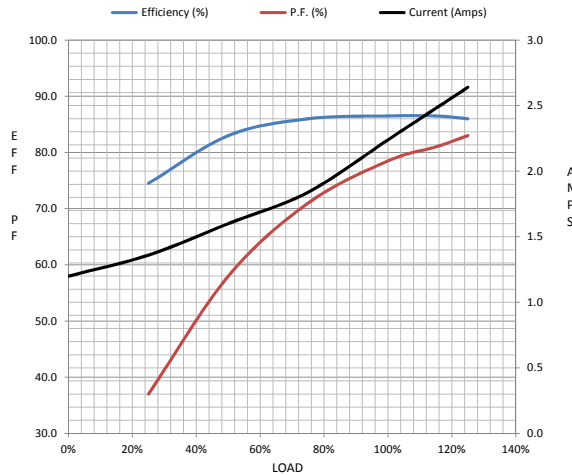
Data @ 575 V

Motor Load Data

| Load | 0% | 25% | 50% | 75% | 100% | 115% | 125% | LR |
|----------------|------|------|------|------|------|------|------|------|
| Current (Amps) | 1.20 | 1.36 | 1.60 | 1.84 | 2.24 | 2.48 | 2.64 | 19.4 |
| Torque (ft-lb) | 0.00 | 0.71 | 1.50 | 2.20 | 3.0 | 3.5 | 3.8 | 9.0 |
| RPM | 3600 | 3580 | 3560 | 3540 | 3510 | 3500 | 3495 | 0 |
| Efficiency (%) | | 74.5 | 83.0 | 86.0 | 86.5 | 86.5 | 86.0 | |
| P.F. (%) | 10.0 | 37.0 | 58.0 | 71.0 | 78.5 | 81.0 | 83.0 | 64.5 |

Motor Speed Data

| | LR | Pull-Up | BD | Rated | Idle | Information Block | |
|----------------|------|---------|------|-------|------|-----------------------------|-------------------------|
| Speed (RPM) | 0 | 1500 | 2570 | 3510 | 3600 | HP | 2.0 |
| Current (Amps) | 19.4 | 17.4 | 13.0 | 2.24 | 1.20 | Sync. RPM | 3600 |
| Torque (ft-lb) | 9.0 | 11.0 | 12.8 | 3.0 | 0.00 | Frame | 145 |
| | | | | | | Enclosure | DP |
| | | | | | | Construction | TDR |
| | | | | | | Voltage | 575 V |
| | | | | | | Frequency | 60 Hz |
| | | | | | | Design | B |
| | | | | | | LR Code letter | L |
| | | | | | | Service Factor | 1.15 |
| | | | | | | Temp Rise @ FL | 38 ° C |
| | | | | | | Duty | CONT |
| | | | | | | Ambient | 40 ° C |
| | | | | | | Elevation | 1,000 feet |
| | | | | | | Rotor/Shaft wk ² | 0.03 Lb-Ft ² |
| | | | | | | Ref Wdg | ZT224 DR |
| | | | | | | Sound Pressure @ 1M | 68 dBA |
| | | | | | | VFD Rating | CONSTANT 10:1 |
| | | | | | | Outline Dwg | A-100085-706 |
| | | | | | | Conn. Diag | A-EE7300 |



| Information Block | | | | |
|-----------------------------|-------------------------|--------|--------|--------|
| HP | 2.0 | | | |
| Sync. RPM | 3600 | | | |
| Frame | 145 | | | |
| Enclosure | DP | | | |
| Construction | TDR | | | |
| Voltage | 575 V | | | |
| Frequency | 60 Hz | | | |
| Design | B | | | |
| LR Code letter | L | | | |
| Service Factor | 1.15 | | | |
| Temp Rise @ FL | 38 ° C | | | |
| Duty | CONT | | | |
| Ambient | 40 ° C | | | |
| Elevation | 1,000 feet | | | |
| Rotor/Shaft wk ² | 0.03 Lb-Ft ² | | | |
| Ref Wdg | ZT224 DR | | | |
| Sound Pressure @ 1M | 68 dBA | | | |
| VFD Rating | CONSTANT 10:1 | | | |
| Outline Dwg | A-100085-706 | | | |
| Conn. Diag | A-EE7300 | | | |
| Additional Specifications: | | | | |
| 0 | | | | |
| 365THFS8036 | | | | |
| EQUIV CKT (OHMS / PHASE) | | | | |
| R1 | R2 | X1 | X2 | Xm |
| 0.0000 | 0.0000 | 0.0000 | 0.0000 | 0.0000 |

Speed -Torque Curve

