

PRODUCT INFORMATION PACKET

Model No: 145TTWR16006
Catalog No: N206A
3,3600,TEFC,145JM,3/60/230/460
Jm Pump



Regal and Marathon are trademarks of Regal Beloit Corporation or one of its affiliated companies.
©2018 Regal Beloit Corporation, All Rights Reserved. MC017097E





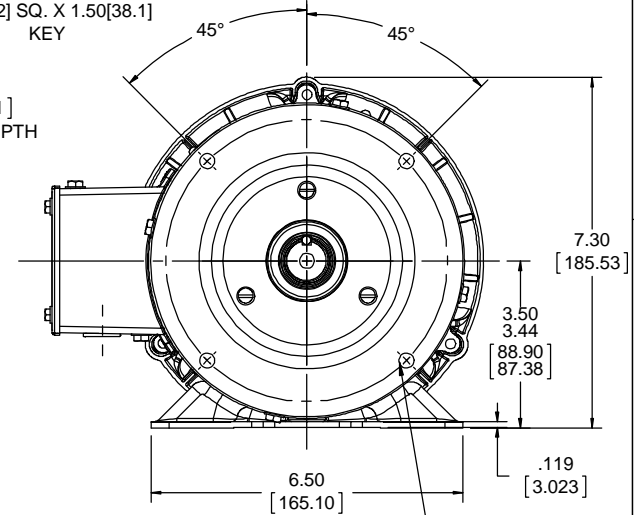
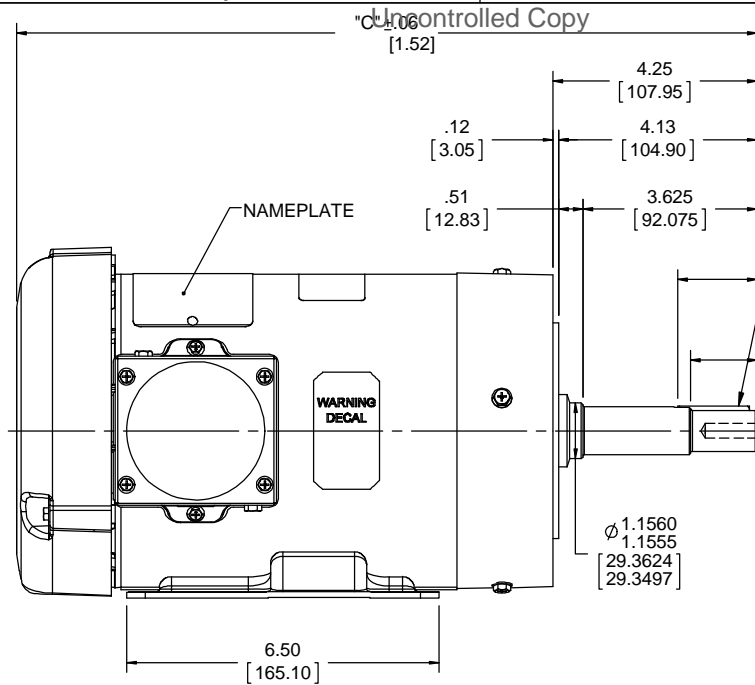
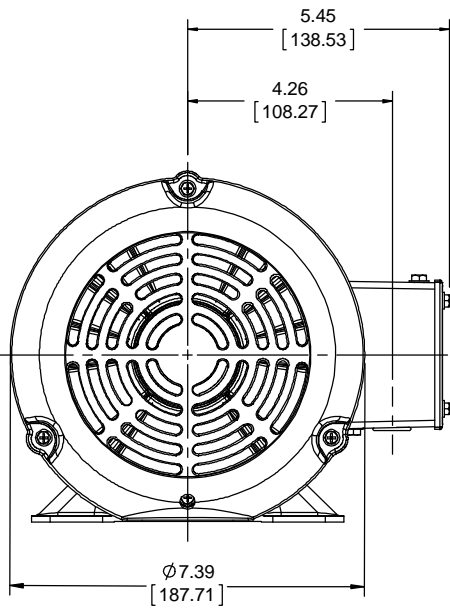
Nameplate Specifications

| | | | |
|----------------------------|------------------------------------|------------------------|-------------------|
| Output HP | 3 Hp | Output KW | 2.2 kW |
| Frequency | 60 Hz | Voltage | 230/460 V |
| Current | 8.0/4.0 A | Speed | 3490 rpm |
| Service Factor | 1.15 | Phase | 3 |
| Efficiency | 86.5 % | Duty | Continuous |
| Insulation Class | F | Design Code | B |
| KVA Code | N | Frame | 145JM |
| Enclosure | Totally Enclosed Fan Cooled | Overload Protector | No |
| Ambient Temperature | 40 °C | Drive End Bearing Size | 6206 |
| Opp Drive End Bearing Size | 6203 | UL | Recognized |
| CSA | Y | CE | Y |
| IP Code | 55 | | |

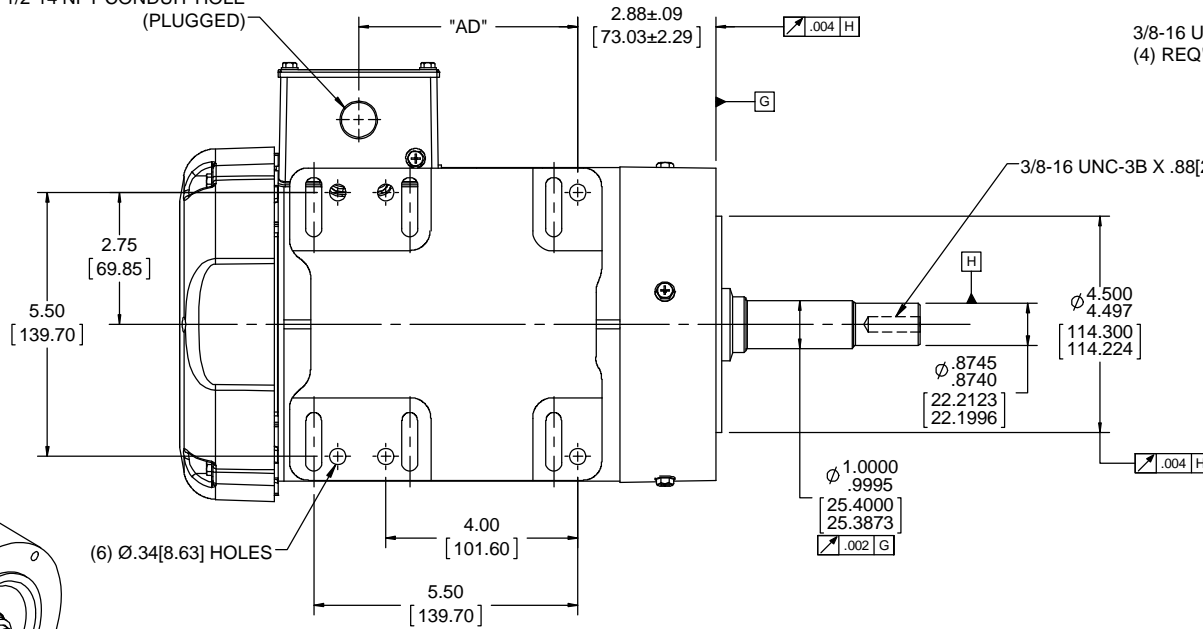
Technical Specifications

| | | | |
|-----------------------|------------------------------------|-----------------------|------------------------|
| Electrical Type | Squirrel Cage Induction Run | Starting Method | Across The Line |
| Poles | 2 | Rotation | Reversible |
| Mounting | Rigid base | Motor Orientation | HORIZONTAL |
| Drive End Bearing | BALL | Opp Drive End Bearing | BALL |
| Frame Material | Rolled Steel | Shaft Type | JM |
| Overall Length | 16.43 in | Frame Length | 8.00 in |
| Shaft Diameter | 0.875 in | Shaft Extension | 4.25 in |
| Assembly/Box Mounting | F1 ONLY | | |
| Outline Drawing | 607-0333-800 | Connection Diagram | 005010.01 |

This is an uncontrolled document once printed or downloaded and is subject to change without notice. Date Created: 10/30/2018



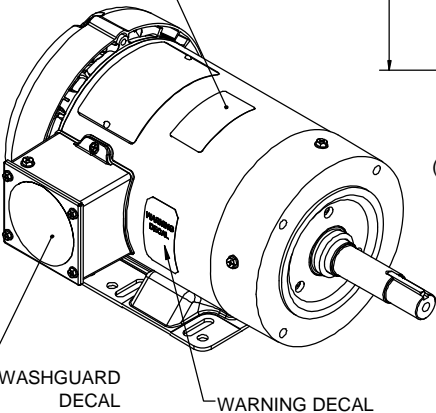
(1) 1/2-14 NPT CONDUIT HOLE (PLUGGED)



3/8-16 UNC-2B X .56 [14.22] DEEP
(4) REQ'D. ON A Ø5.875 [149.22] B.C.

3/8-16 UNC-3B X .88 [22.35] DEEP

DRAIN HOLE DECAL



WASHGUARD MOTOR

- SPECIAL FEATURES:
1. SHAFT SEALS & V-RING.
 2. PLUGGED DRAIN HOLES IN ENDBELLS & CONDUIT BOX.
 3. BUNA-N GASKETS THROUGHOUT.
 4. STAINLESS STEEL SHAFT, HARDWARE & NAMEPLATE.

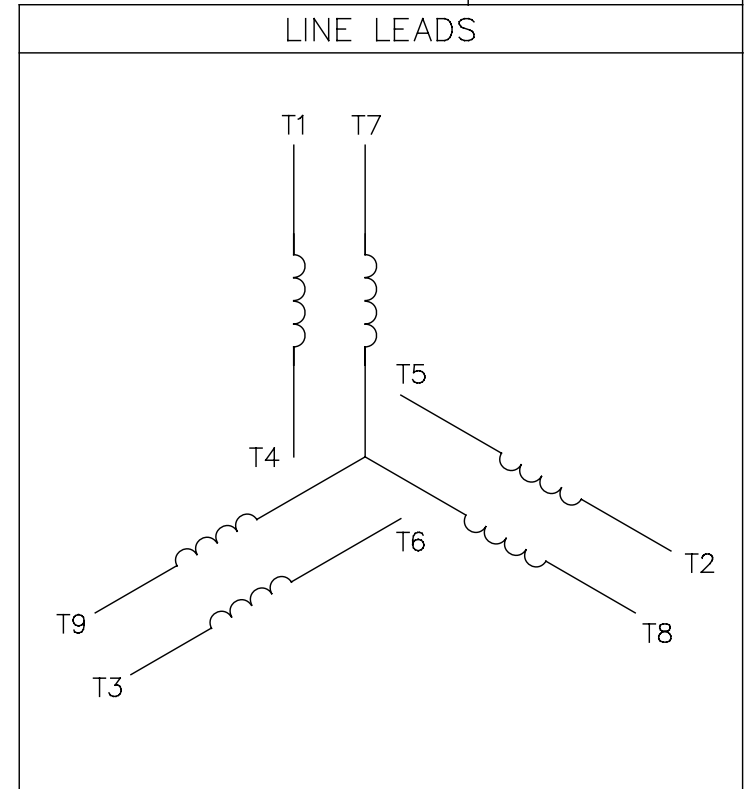
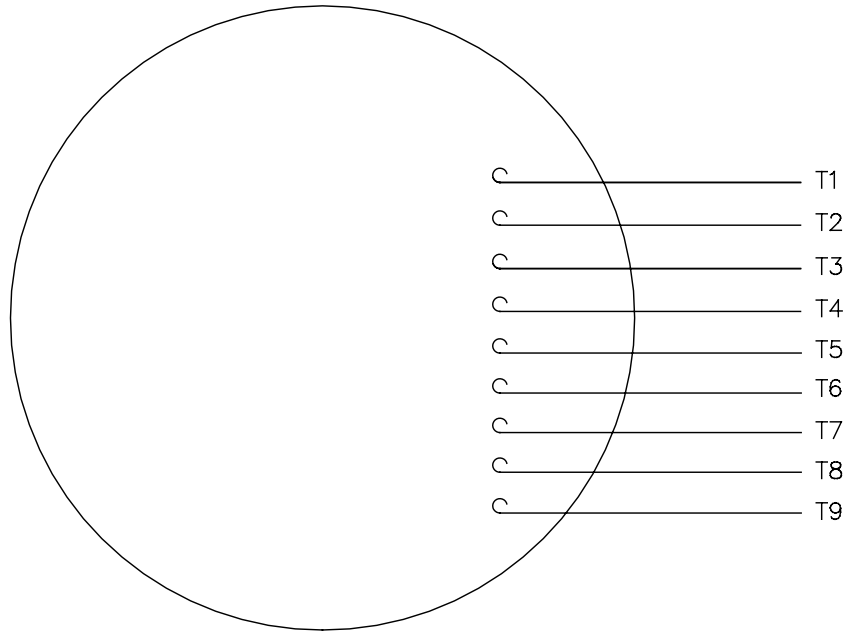
| DASH NO. | "C" | "AD" |
|----------|----------------|---------------|
| 700 | 15.43 [391.92] | 4.57 [116.07] |
| 750 | 15.93 [404.62] | 5.07 [128.77] |
| 800 | 16.43 [417.32] | 5.57 [141.47] |

| DRAWING REVISION | REVISION BY | DATE | TOLERANCES UNLESS OTHERWISE SPECIFIED: | DRAWN BY | DATE |
|--|-------------|------|---|-----------|------------|
| A | | | DEC. INCH mm ANGLE | A. KEETHA | 01/18/2018 |
| ECO-0140840 | | | .X ±0.1 [2.5] ±0.5° | | |
| ECO DESCRIPTION | APPROVED BY | DATE | .XX ±0.03 [0.76] | PK | |
| OUTLINE CONVERSION PROJECT | | | .XXX ±0.005 [0.127] | | |
| OUTLINE CONVERSION PROJECT | | | .XXXX ±0.0005 [±0.0127] | | |
| REMOVE BURRS & BREAK SHARP EDGES: .0031 [0.078] X 45° CORNER FILLETS: R.02 [.51] | | | MACHINED SURFACES: 125 / 3.2 INCH/ mm SHOWN IN [BRACKETS] | | |
| THIRD ANGLE PROJECTION | | | | | |

| DESCRIPTION | MATERIAL | PROCESS/FINISH |
|----------------------------|----------------|----------------|
| OUTLINE | | |
| 140JM FRAME TEFC-RIGID "C" | | |
| SIZE | DRAWING NUMBER | SHEET |
| C | 607-0333 | 1 OF 1 |

005010-01

VIEW FROM OUTSIDE OF MOTOR AT SWITCH END.



| VOLTAGE | L1 | L2 | L3 | JOIN & INSULATE |
|---------|-------|-------|-------|-------------------------------|
| HIGH | T1 | T2 | T3 | (T4,T7) (T5,T8) (T6,T9) |
| LOW | T1,T7 | T2,T8 | T3,T9 | T4,T5,T6 |

| | | | | | | | | | | | | |
|--|-----------------------|--|--|--------------------------------|----------|-----------------------------------|----------|--------------------|-----------------------|------|-------------|------|
| | | | | TOLERANCES UNLESS SPECIFIED | | Regal Beloit America, Inc. | | DRAWN RDW 04/12/02 | | | | |
| | | | | DEC. | INCHES | | | CHK | | | | |
| | | | | .X | ±.1 | | | APPD | | | | |
| | | | | .XX | ±.01 | | | SCALE 1=1 | | | | |
| | | | | .XXX | ±.005 | TITLE | | REF FIG.2-51 | | | | |
| A | UPDATED TO REGAL LOGO | | | SAJ | 06/26/15 | AJY | .XXXX | ±.0005 | MAT'L. DECAL - 004014 | FMF | | |
| NO. | REVISION | | | BY & DATE | CHK | ANG | ±1/2" | FINISH | PREV | | | |
| THIS DRAWING IN DESIGN AND DETAIL IS OUR PROPERTY AND MUST NOT BE USED EXCEPT IN CONNECTION WITH OUR WORK ALL RIGHTS OF DESIGN AND INVENTION ARE RESERVED THIS IS AN ELECTRONICALLY GENERATED DOCUMENT - DO NOT SCALE THIS PRINT | | | | RFP | 04/12/02 | | CAD FILE | 00501001 | | SIZE | DRAWING NO. | REV. |
| | | | | DIST | BRF-NLV | | | A | 005010-01 | | A | |