

PRODUCT INFORMATION PACKET

Model No: 182TTDW4083

Catalog No: E1799

1.50 HP General Purpose Motor, 3 phase, 1200 RPM, 200 V, 182T Frame, ODP
Three Phase ODP Motors



Regal and Marathon are trademarks of Regal Beloit Corporation or one of its affiliated companies.
©2019 Regal Beloit Corporation, All Rights Reserved. MC017097E

REGAL



Nameplate Specifications

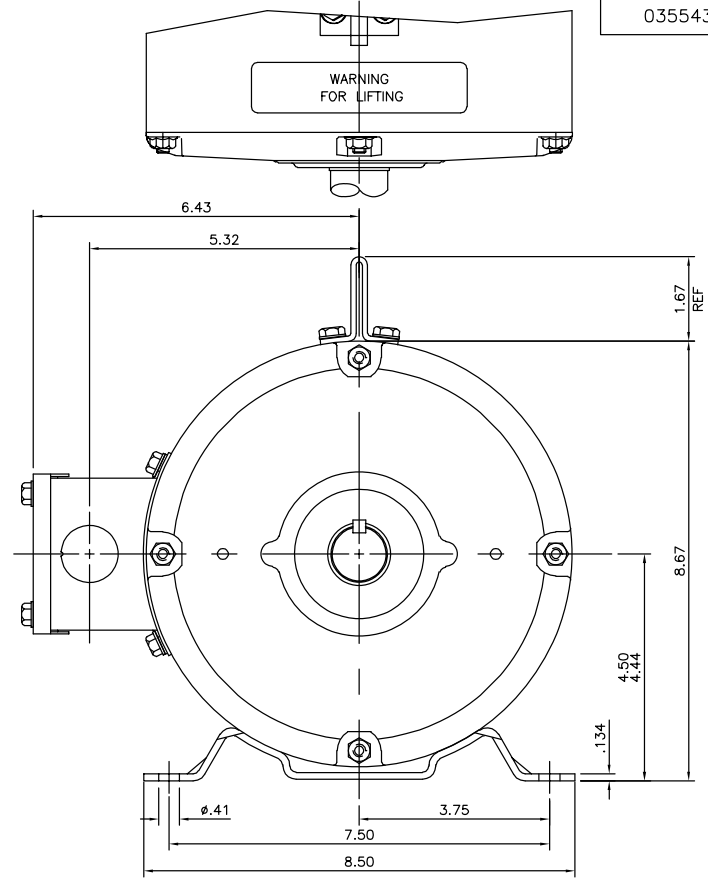
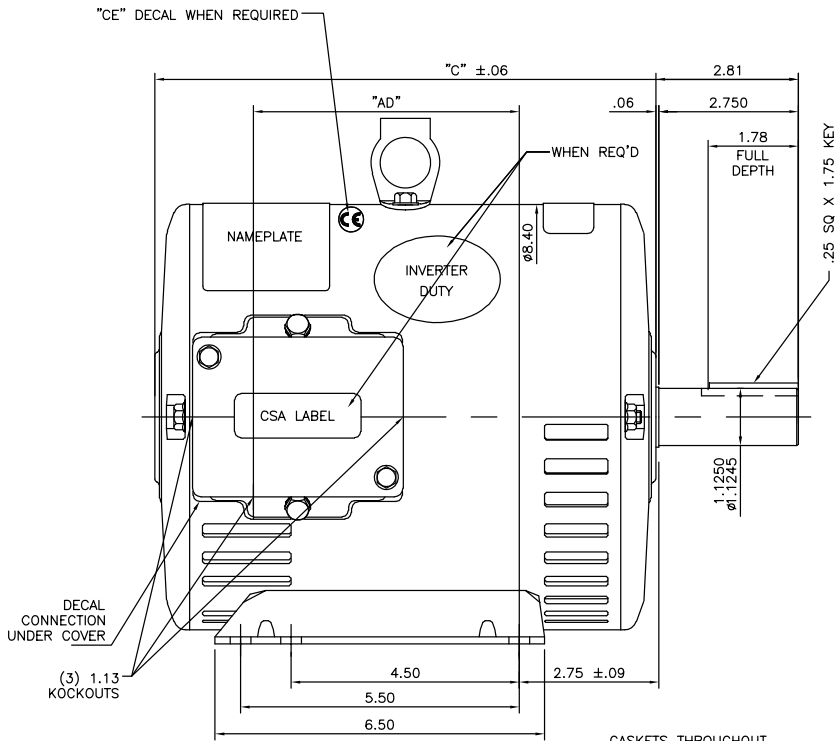
Output HP	1.50 Hp	Output KW	1.1 kW
Frequency	60 Hz	Voltage	200 V
Current	6.4 A	Speed	1175 rpm
Service Factor	1.15	Phase	3
Efficiency	84 %	Power Factor	60
Duty	Continuous	Insulation Class	F
Design Code	B	KVA Code	K
Frame	182T	Enclosure	Drip Proof
Thermal Protection	No	Ambient Temperature	40 °C
Drive End Bearing Size	6206	Opp Drive End Bearing Size	6205
UL	Recognized	CSA	Y
CE	Y	IP Code	22

Technical Specifications

Electrical Type	Squirrel Cage Induction Run	Starting Method	Across The Line
Poles	6	Rotation	Reversible
Resistance Main	9.1 Ohms	Mounting	Rigid Base
Motor Orientation	Horizontal	Drive End Bearing	Ball
Opp Drive End Bearing	Ball	Frame Material	Rolled Steel
Shaft Type	T	Overall Length	12.69 in
Frame Length	8.50 in	Shaft Diameter	1.125 in
Shaft Extension	2.75 in	Assembly/Box Mounting	F1/F2 Capable

This is an uncontrolled document once printed or downloaded and is subject to change without notice. Date Created:01/11/2019

035543



GASKETS THROUGHOUT

DASH NO.	"C"	"AD"
850	12.69	5.25
900	13.19	5.75
950	13.69	6.25
1000	14.19	6.75
1050	14.69	7.25
1100	15.19	7.75
1150	15.69	8.25
1200	16.19	8.75

NO.	REVISION	BY & DATE	CHK	ANG
01	WHEN REQ'D NOTE ADDED	PVR 06/16/15	GR	.XXXX ±.0005

TOLERANCES UNLESS SPECIFIED	
DEC.	INCHES
X	±.1
.XX	±.03
.XXX	±.005
.XXXX	±.0005
CHK	ANG ±1/2'

MARATHON ELECTRIC

TITLE: OUTLINE - 180T FRAME
DRIP PROOF - RIGID

CAD FILE: 035543

DRAWN	YS 03/14/08
CHK	YS 08/08/07
APPD	
SCALE	1=2
REF	035534
FMF	
PREV	
SIZE	DRAWING NO.
B	035543
REV.	01

THIS DRAWING IN DESIGN AND DETAIL IS OUR PROPERTY AND MUST NOT BE USED EXCEPT IN CONNECTION WITH OUR WORK ALL RIGHTS OF DESIGN AND INVENTION ARE RESERVED
THIS IS AN ELECTRONICALLY GENERATED DOCUMENT - DO NOT SCALE THIS PRINT