

# PRODUCT INFORMATION PACKET

Model No: 182TTDW7412  
Catalog No: Y1484  
3,1800/900,DP,182T,3/60/200-230  
Other Purpose



Regal and Marathon are trademarks of Regal Beloit Corporation or one of its affiliated companies.  
©2018 Regal Beloit Corporation, All Rights Reserved. MC017097E





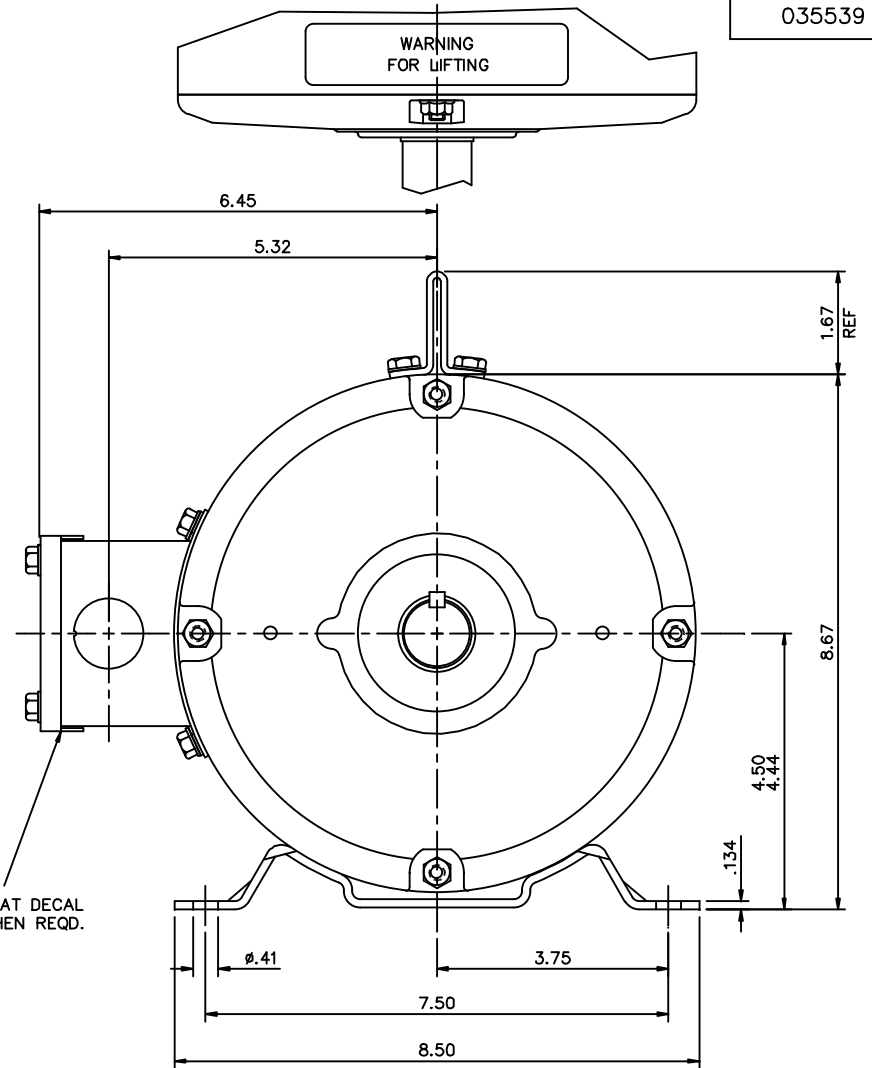
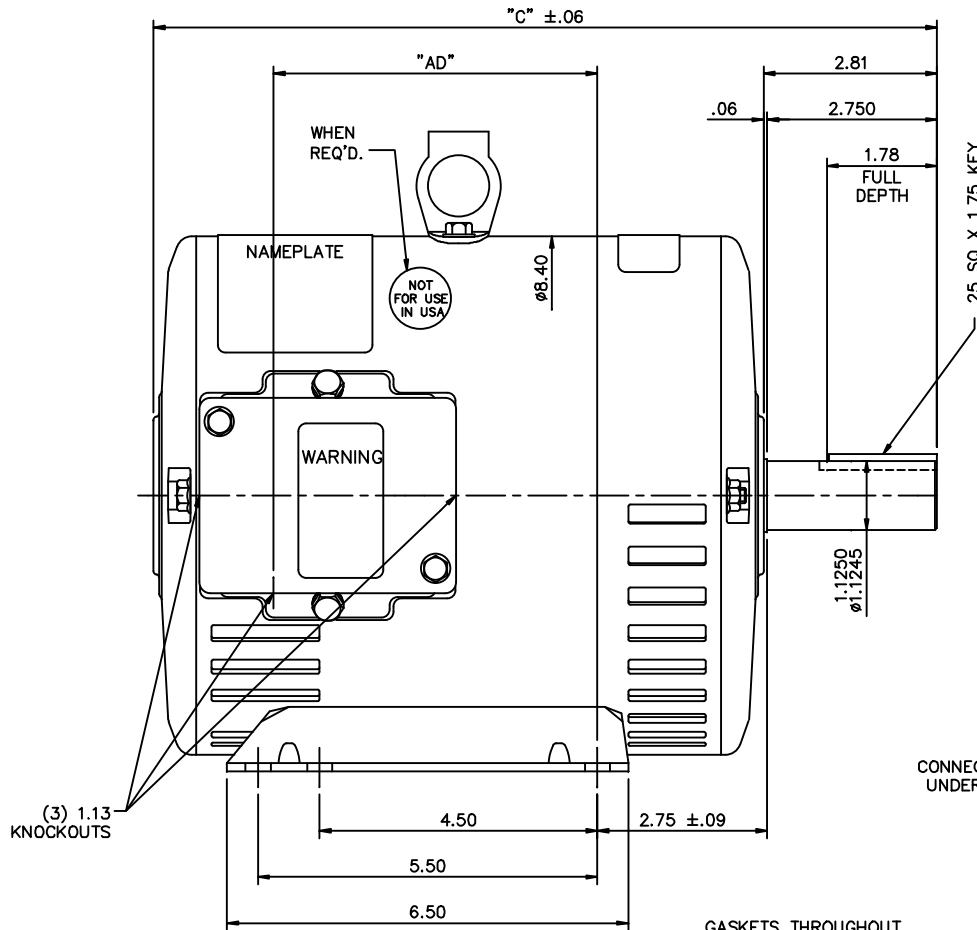
### Nameplate Specifications

Output HP	<b>3,0.75 Hp</b>	Output KW	<b>2.2 kW</b>
Frequency	<b>60 Hz</b>	Voltage	<b>200-230 V</b>
Current	<b>9-8.2,3.5-3.6 A</b>	Speed	<b>1760,875 rpm</b>
Service Factor	<b>1.15</b>	Phase	<b>3</b>
Efficiency	<b>84.5 %</b>	Duty	<b>Continous</b>
Insulation Class	<b>F</b>	Design Code	<b>1VT</b>
KVA Code	<b>L</b>	Frame	<b>182T</b>
Enclosure	<b>Drip Proof</b>	Overload Protector	<b>No</b>
Ambient Temperature	<b>40 °C</b>	Drive End Bearing Size	<b>6206</b>
Opp Drive End Bearing Size	<b>6205</b>	UL	<b>Recognized</b>
CSA	<b>Y</b>	CE	<b>Y</b>
IP Code	<b>22</b>		

### Technical Specifications

Electrical Type	<b>Squirrel Cage Induction Run</b>	Starting Method	<b>Across The Line</b>
Poles	<b>4/8</b>	Rotation	<b>Reversible</b>
Mounting	<b>Rigid base</b>	Motor Orientation	<b>Horizontal</b>
Drive End Bearing	<b>Ball</b>	Opp Drive End Bearing	<b>Ball</b>
Frame Material	<b>Rolled Steel</b>	Shaft Type	<b>T</b>
Overall Length	<b>13.19 in</b>	Frame Length	<b>9.00 in</b>
Shaft Diameter	<b>1.125 in</b>	Shaft Extension	<b>2.81 in</b>
Assembly/Box Mounting	<b>F1 Only</b>		
Outline Drawing	<b>035539-900</b>	Connection Diagram	<b>005200.01ME</b>

This is an uncontrolled document once printed or downloaded and is subject to change without notice. Date Created: 06/29/2018

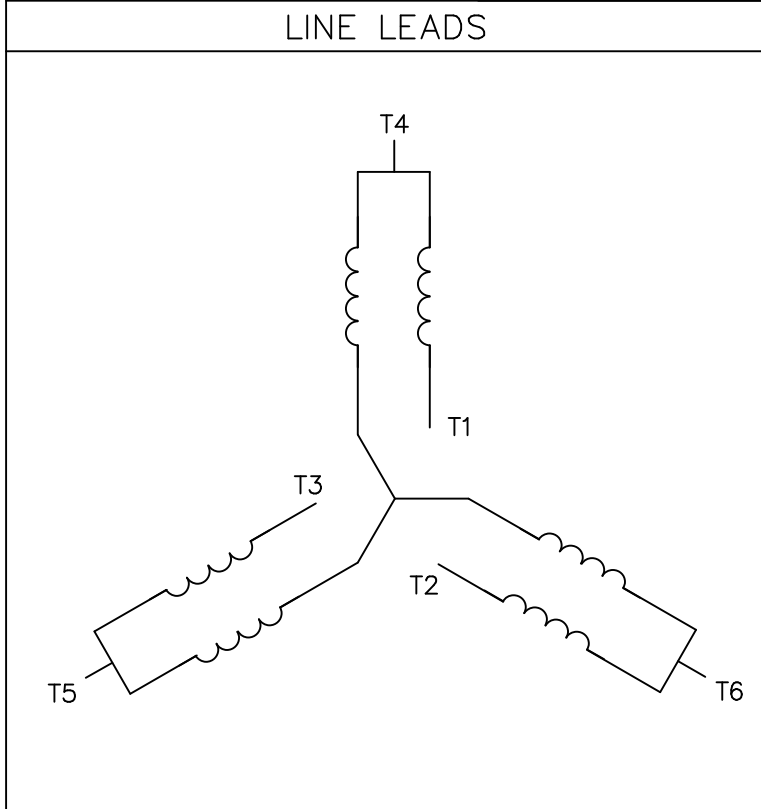
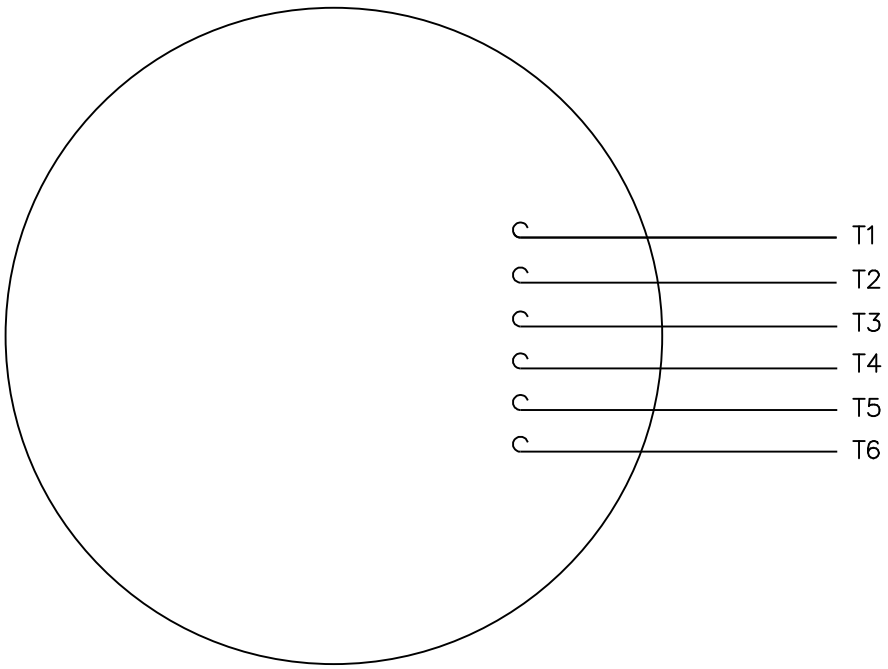


GASKETS THROUGHOUT

DASH NO.	"C"	"AD"
850	12.69	5.25
900	13.19	5.75
950	13.69	6.25
1000	14.19	6.75
1050	14.69	7.25
1100	15.19	7.75
1150	15.69	8.25

				TOLERANCES UNLESS SPECIFIED				DRAWN YS 07/23/07	
NO.	REVISION	BY & DATE	CHK	ANG	DEC.			INCHES	CHK
.X					±.1				
.XX					±.03		TITLE	OUTLINE - 180T FRAME	SCALE 1-2
.XXX	02 SHOWN "NOT FOR USE IN USA" DECAL LOCATION	JD 05/07/12			±.005			DRIP PROOF - RIGID	REF 035464
.XXXX	01 CHANGED TO NEW CONDUIT BOX 022737	YS 03/19/08			±.0005		MAT'L	GENERAL PURPOSE	FMF
					±1/2'		FINISH		PREV
THIS DRAWING IN DESIGN AND DETAIL IS OUR PROPERTY AND MUST NOT BE USED EXCEPT IN CONNECTION WITH OUR WORK ALL RIGHTS OF DESIGN AND INVENTION ARE RESERVED THIS IS AN ELECTRONICALLY GENERATED DOCUMENT - DO NOT SCALE THIS PRINT				RFP	CAD FILE	035539	SIZE	DRAWING NO.	REV.
				DIST			B	035539	02

VIEW FROM OUTSIDE OF MOTOR AT SWITCH END.



SPEED	L1	L2	L3	JOIN	SEPARATE
HIGH	T6	T4	T5	(T1,T2,T3)	
LOW	T1	T2	T3		(T4)(T5)(T6)

				TOLERANCES UNLESS SPECIFIED			DRAWN MGM 12/2/02		
				DEC.	INCHES		CHK		
				.X	±.1		APPD		
				.XX	±.01		SCALE 1=1		
				.XXX	±.005		REF 080066		
				.XXXX	±.0005	MAT'L. DECAL - 004183/080066			
NO.	REVISION	BY & DATE	CHK	ANG	±1/2"	FINISH		FMF 83648D1	
THIS DRAWING IN DESIGN AND DETAIL IS OUR PROPERTY AND MUST NOT BE USED EXCEPT IN CONNECTION WITH OUR WORK ALL RIGHTS OF DESIGN AND INVENTION ARE RESERVED THIS IS AN ELECTRONICALLY GENERATED DOCUMENT - DO NOT SCALE THIS PRINT				RFP	CAD FILE 00520001ME		SIZE A	DRAWING NO. 005200-01ME	REV.
				DIST					

**CERTIFICATION DATA SHEET**

**Model#:** 182TTDW7412 AA      **WINDING#:** T8(4-8)19 NONE 1  
**CONN. DIAGRAM:** 005200.01ME      **ASSEMBLY:** F1 ONLY  
**OUTLINE:** 035539-900

**TYPICAL MOTOR PERFORMANCE DATA**

HP	KW	SYNC. RPM	F.L. RPM	FRAME	ENCLOSURE	KVA CODE	DESIGN
3&3/4	2.24&.56	900	1760&875	182T	DP	L	1VT

PH	Hz	VOLTS	FL AMPS	START TYPE	DUTY	INSL	S.F	AMB°C	ELEVATION
3	60/60	200-230	9-8.2&3.5-3.6	ACROSS THE LINE	CONTINUOUS	F4	1.15/1.15	40	3300

FULL LOAD EFF: 84.5&74	3/4 LOAD EFF: 72	1/2 LOAD EFF: 66.5	GTD. EFF	ELEC. TYPE	NO LOAD AMPS
FULL LOAD PF: 80.9&52.5	3/4 LOAD PF: 45.5	1/2 LOAD PF: 35.5	0	SQ CAGE IND RUN	2.8

F.L. TORQUE	LOCKED ROTOR AMPS	L.R. TORQUE	B.D. TORQUE	F.L. RISE°C
4.51 LB-FT	15.3	9.15 LB-FT 203	13.3 LB-FT 295	40

SOUND PRESSURE @ 3 FT.	SOUND POWER	ROTOR WK^2	MAX. WK^2	SAFE STALL TIME	STARTS /HOUR	APPROX. MOTOR WGT
0 dBA	10 dBA	0.32 LB-FT^2	0 LB-FT^2	10 SEC.	0	70 LBS.

**\*\*\* SUPPLEMENTAL INFORMATION \*\*\***

DE BRACKET TYPE	ODE BRACKET TYPE	MOUNT TYPE	ORIENTATION	SEVERE DUTY	HAZARDOUS LOCATION	DRIP COVER	SCREENS	PAINT
STANDARD	STANDARD	RIGID	HORIZONTAL	FALSE	NONE	FALSE	NONE	BLUE (ENAMEL)

BEARINGS		GREASE	SHAFT TYPE	SPECIAL DE	SPECIAL ODE	SHAFT MATERIAL	FRAME MATERIAL
DE	OPE						
BALL	BALL	POLYREX EM	T	NONE	NONE	AISI 1045 (C-240)	ROLLED STEEL
6206	6205						

THERMO-PROTECTORS				THERMISTORS	CONTROL	SPACE /n HEATERS
THERMOSTATS	PROTECTORS	WDG RTDs	BRG RTDs			
NONE	NOT	NONE	NONE	NONE	FALSE	NONE VOLTS

If Inverter equals NONE, contact factory for further information

INVERTER TORQUE: NONE
INV. HP SPEED RANGE: NONE
ENCODER: NONE
NONE NONE
NONE NONE PPR
BRAKE: NONE NONE
NONE P/N NONE
NONE NONE
NONE FT-LB NONE V NONE Hz

\*  
N  
O  
T  
E  
S  
\*

DATE: 06/27/2017 01:58:39 AM  
 FORM 3531 REV.3 02/07/99

\*\* Subject to change without notice.