

PRODUCT INFORMATION PACKET

Model No: 184TBDW17008
Catalog No: I104A
5,3600,DP,184T,1/60/208-230
Open Drip Proof (ODP)



Regal and Marathon are trademarks of Regal Beloit Corporation or one of its affiliated companies.
©2018 Regal Beloit Corporation, All Rights Reserved. MC017097E





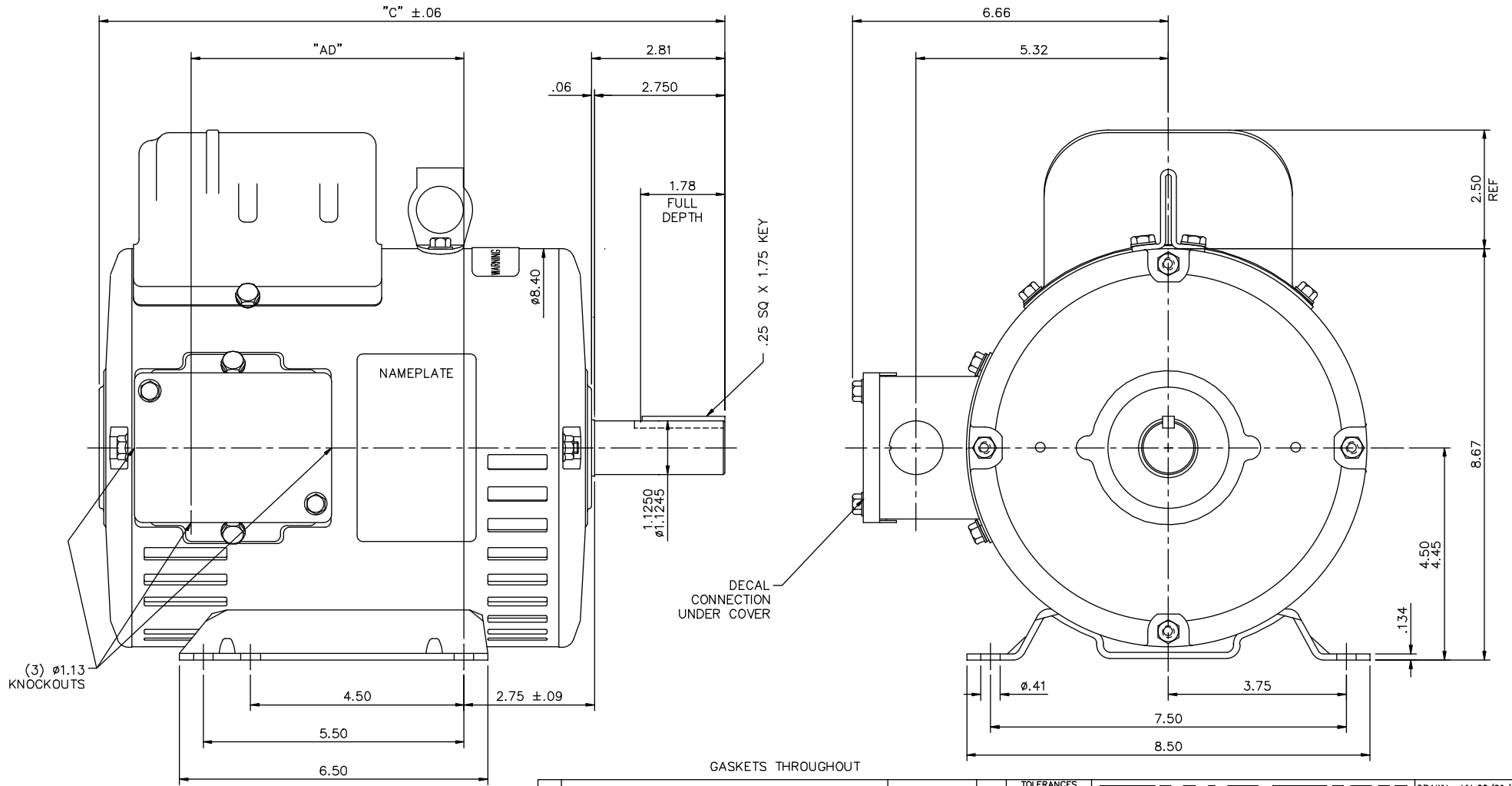
Nameplate Specifications

| | | | |
|----------------------------|--------------------|------------------------|-----------------------|
| Output HP | 5 Hp | Output KW | 3.7 kW |
| Frequency | 60 Hz | Voltage | 208-230 V |
| Current | 24.0-22.0 A | Speed | 3500 rpm |
| Service Factor | 1.15 | Phase | 1 |
| Efficiency | 80 % | Duty | Continuous |
| Insulation Class | F | Design Code | NO DESIGN CODE |
| KVA Code | H | Frame | 184T |
| Enclosure | Drip Proof | Overload Protector | No |
| Ambient Temperature | 40 °C | Drive End Bearing Size | 6207 |
| Opp Drive End Bearing Size | 6206 | UL | Recognized |
| CSA | Y | CE | Y |
| IP Code | 22 | | |

Technical Specifications

| | | | |
|-----------------------|--------------------------------------|-----------------------|-----------------------------------|
| Electrical Type | Capacitor Start Capacitor Run | Starting Method | Across The Line |
| Poles | 2 | Rotation | Selective Counterclockwise |
| Mounting | Rigid base | Motor Orientation | Horizontal |
| Drive End Bearing | Ball | Opp Drive End Bearing | Ball |
| Frame Material | Rolled Steel | Shaft Type | T |
| Overall Length | 14.69 in | Frame Length | 10.50 in |
| Shaft Diameter | 1.125 in | Shaft Extension | 2.81 in |
| Assembly/Box Mounting | F1 Only | | |
| Outline Drawing | 035555-1050 | Connection Diagram | 005018.01ME |

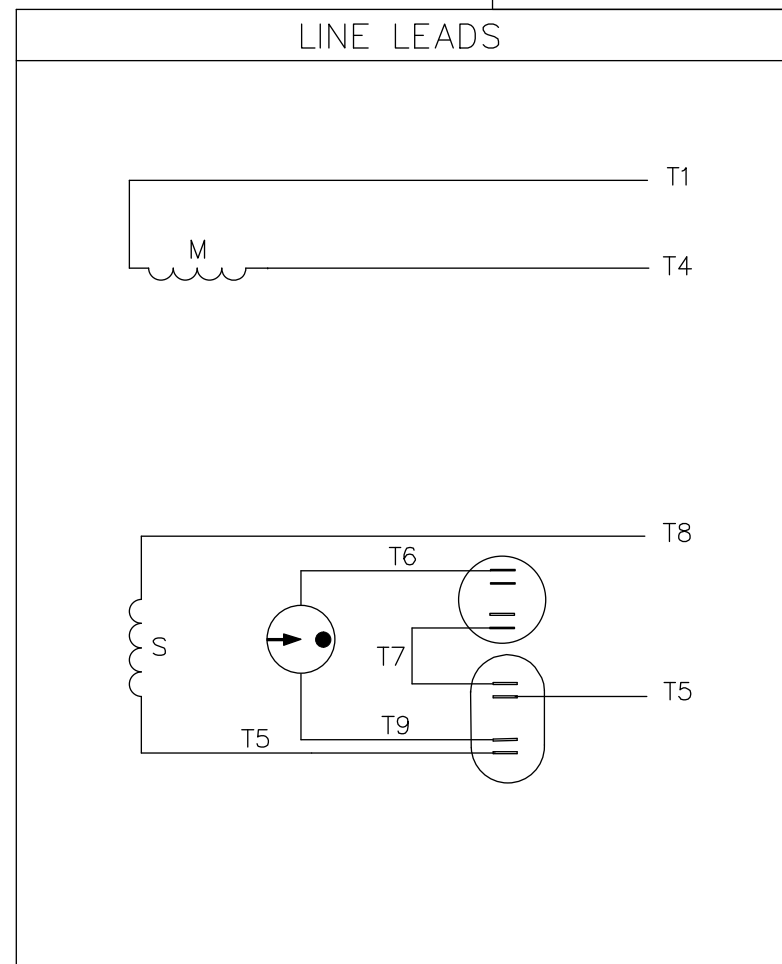
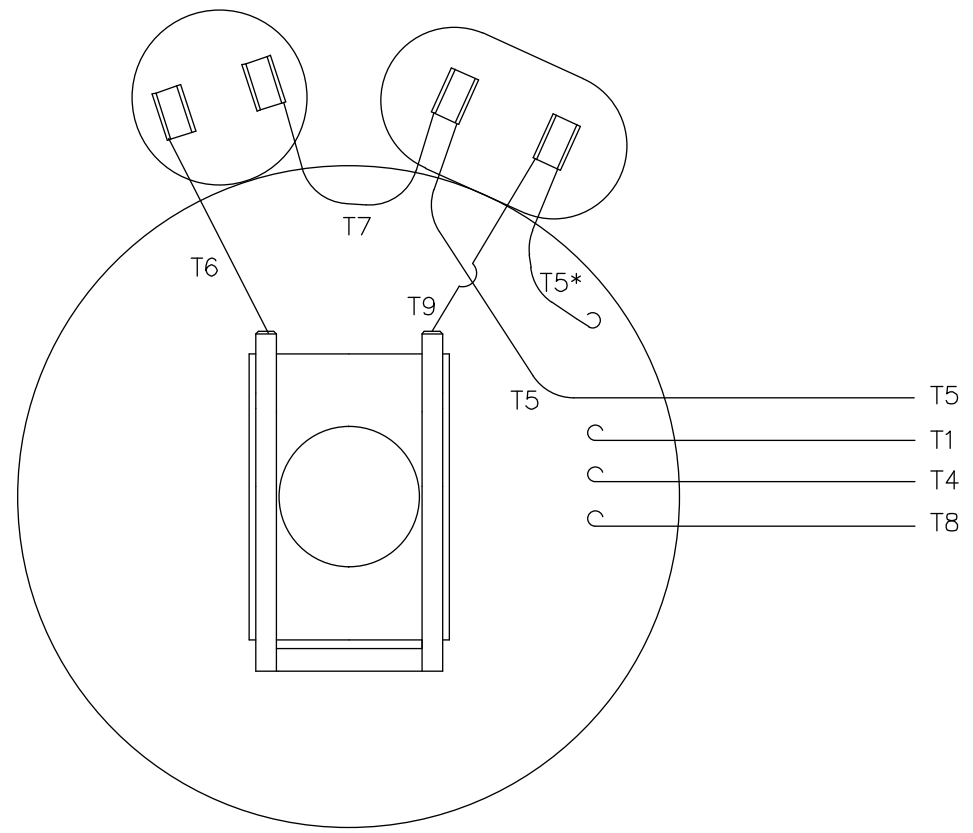
This is an uncontrolled document once printed or downloaded and is subject to change without notice. Date Created: 07/02/2018



| DASH NO. | "C" | "AD" |
|----------|-------|------|
| 900 | 13.19 | 5.75 |
| 950 | 13.69 | 6.25 |
| 1000 | 14.19 | 6.75 |
| 1050 | 14.69 | 7.25 |
| 1100 | 15.19 | 7.75 |
| 1150 | 15.69 | 8.25 |

| | | | | TOLERANCES UNLESS SPECIFIED | | MARATHON ELECTRIC | | DRAWN vv 08/29/07 | |
|--|------------------|-----|---------|-----------------------------|-----------|---------------------|--|-------------------|--|
| | | | | DEC. | INCHES | | | CHK | |
| | | | | .X | ±.1 | | | APPD | |
| | | | | .XX | ±.03 | TITLE | | SCALE 1=2 | |
| | | | | .XXX | ±.005 | OUTLINE- 180T FRAME | | REF 035472 | |
| | | | | .XXXX | ±.0005 | DRIP PROOF- RIGID | | FMF 184TCDW7026 | |
| 01 | REMOVED CE DECAL | GWS | 4/28/08 | MATERIAL | | FINISH | | PREV | |
| NO. REVISION | | | | CHK | ANG ±1/2' | CAD FILE | | DRAWING NO. | |
| BY & DATE | | | | RFP | 6/5/03 | 035555 | | B 035555 | |
| THIS DRAWING IN DESIGN AND DETAIL IS OUR PROPERTY AND MUST NOT BE USED EXCEPT IN CONNECTION WITH OUR WORK ALL RIGHTS OF DESIGN AND INVENTION ARE RESERVED THIS IS AN ELECTRONICALLY GENERATED DOCUMENT - DO NOT SCALE THIS PRINT | | | | DIST | | | | REV. 01 | |

VIEW FROM OUTSIDE OF MOTOR AT SWITCH END.



| | | |
|--------------------------|-------|-------|
| ROTATION FACING LEAD END | L1 | L2 |
| C.C.W. | T1,T8 | T4,T5 |
| C.W. | T1,T5 | T4,T8 |

* THIS LEAD MAY BE WHITE

| | | TOLERANCES UNLESS SPECIFIED | | MARATHON ELECTRIC | | DRAWN RDW 6/5/03 | |
|--|----------|-----------------------------|--------|-------------------------|----------|------------------|---------------|
| | | DEC. | INCHES | | | CHK | |
| | | .X | ±.1 | | | APPD | |
| | | .XX | ±.01 | TITLE | | SCALE 1=1 | |
| | | .XXX | ±.005 | EXTERNAL WIRING DIAGRAM | | REF 005018 | |
| | | .XXXX | ±.0005 | MAT'L. | | FMF 139047 | |
| NO. | REVISION | BY & DATE | CHK | ANG | ±1/2' | FINISH | PREV |
| | | | RFP | 6/5/03 | CAD FILE | 00501801ME | SIZE |
| THIS DRAWING IN DESIGN AND DETAIL IS OUR PROPERTY AND MUST NOT BE USED EXCEPT IN CONNECTION WITH OUR WORK ALL RIGHTS OF DESIGN AND INVENTION ARE RESERVED THIS IS AN ELECTRONICALLY GENERATED DOCUMENT - DO NOT SCALE THIS PRINT | | | | DIST | | | DRAWING NO. |
| | | | | | | | A 005018-01ME |
| | | | | | | | REV. |

CERTIFICATION DATA SHEET

Model#: 184TBDW17008 AA WINDING#: K8222 R1 2
 CONN. DIAGRAM: 005018.01ME ASSEMBLY: F1 ONLY
 OUTLINE: 035555-1050

TYPICAL MOTOR PERFORMANCE DATA

| HP | KW | SYNC. RPM | F.L. RPM | FRAME | ENCLOSURE | KVA CODE | DESIGN |
|----|-----|-----------|----------|-------|-----------|----------|----------------|
| 5 | 3.7 | 3600 | 3500 | 184T | DP | H | NO DESIGN CODE |

| PH | Hz | VOLTS | FL AMPS | START TYPE | DUTY | INSL | S.F | AMB°C | ELEVATION |
|----|----|---------|---------|-----------------|------------|------|------|-------|-----------|
| 1 | 60 | 208-230 | 24-22 | ACROSS THE LINE | CONTINUOUS | F4 | 1.15 | 40 | 3300 |

| FULL LOAD EFF: 80 | 3/4 LOAD EFF: 78.5 | 1/2 LOAD EFF: 75 | GTD. EFF | ELEC. TYPE | NO LOAD AMPS |
|-------------------|--------------------|-------------------|----------|-------------------|--------------|
| FULL LOAD PF: 92 | 3/4 LOAD PF: 91 | 1/2 LOAD PF: 86.3 | 0 | CAP START CAP RUN | 6.9 |

| F.L. TORQUE | LOCKED ROTOR AMPS | L.R. TORQUE | B.D. TORQUE | F.L. RISE°C |
|-------------|-------------------|--------------|----------------|-------------|
| 7.5 LB-FT | 141 | 19 LB-FT 219 | 19.2 LB-FT 256 | 45 |

| SOUND PRESSURE @ 3 FT. | SOUND POWER | ROTOR WK^2 | MAX. WK^2 | SAFE STALL TIME | STARTS /HOUR | APPROX. MOTOR WGT |
|------------------------|-------------|--------------|-------------|-----------------|--------------|-------------------|
| - dBA | - dBA | 0.25 LB-FT^2 | 0.5 LB-FT^2 | 10 SEC. | - | 0 LBS. |

*** SUPPLEMENTAL INFORMATION ***

| DE BRACKET TYPE | ODE BRACKET TYPE | MOUNT TYPE | ORIENTATION | SEVERE DUTY | HAZARDOUS LOCATION | DRIP COVER | SCREENS | PAINT |
|-----------------|------------------|------------|-------------|-------------|--------------------|------------|---------|---------------|
| STANDARD | STANDARD | RIGID | HORIZONTAL | FALSE | NONE | FALSE | NONE | BLUE (ENAMEL) |

| BEARINGS | | GREASE | SHAFT TYPE | SPECIAL DE | SPECIAL ODE | SHAFT MATERIAL | FRAME MATERIAL |
|----------|------|------------|------------|------------|-------------|-------------------|----------------|
| DE | OPE | POLYREX EM | T | NONE | NONE | AISI 1045 (C-240) | ROLLED STEEL |
| BALL | BALL | | | | | | |
| 6207 | 6206 | | | | | | |

| THERMO-PROTECTORS | | | | THERMISTORS | CONTROL | SPACE /n HEATERS |
|-------------------|------------|----------|----------|-------------|---------|------------------|
| THERMOSTATS | PROTECTORS | WDG RTDs | BRG RTDs | NONE | FALSE | NONE VOLTS |
| NONE | NOT | NONE | NONE | | | |

If Inverter equals NONE, contact factory for further information

*
N
O
T
E
S
*

| | |
|-----------------------|---------------------------|
| INVERTER TORQUE: NONE | INV. HP SPEED RANGE: NONE |
| ENCODER: NONE | NONE NONE |
| NONE NONE PPR | |
| BRAKE: NONE NONE | NONE P/N NONE |
| NONE NONE | NONE FT-LB NONE V NONE Hz |

DATE: 07/08/2017 12:41:28 AM
 FORM 3531 REV.3 02/07/99
 ** Subject to change without notice.