

PRODUCT INFORMATION PACKET

marathon[®]
Motors

Model No: 184TBFW7737
Catalog No: Z121A
5,1800,TEFC,184T,1/60/230
Single Phase



Regal and Marathon are trademarks of Regal Beloit Corporation or one of its affiliated companies.
©2018 Regal Beloit Corporation, All Rights Reserved. MC017097E

REGAL[®]



Nameplate Specifications

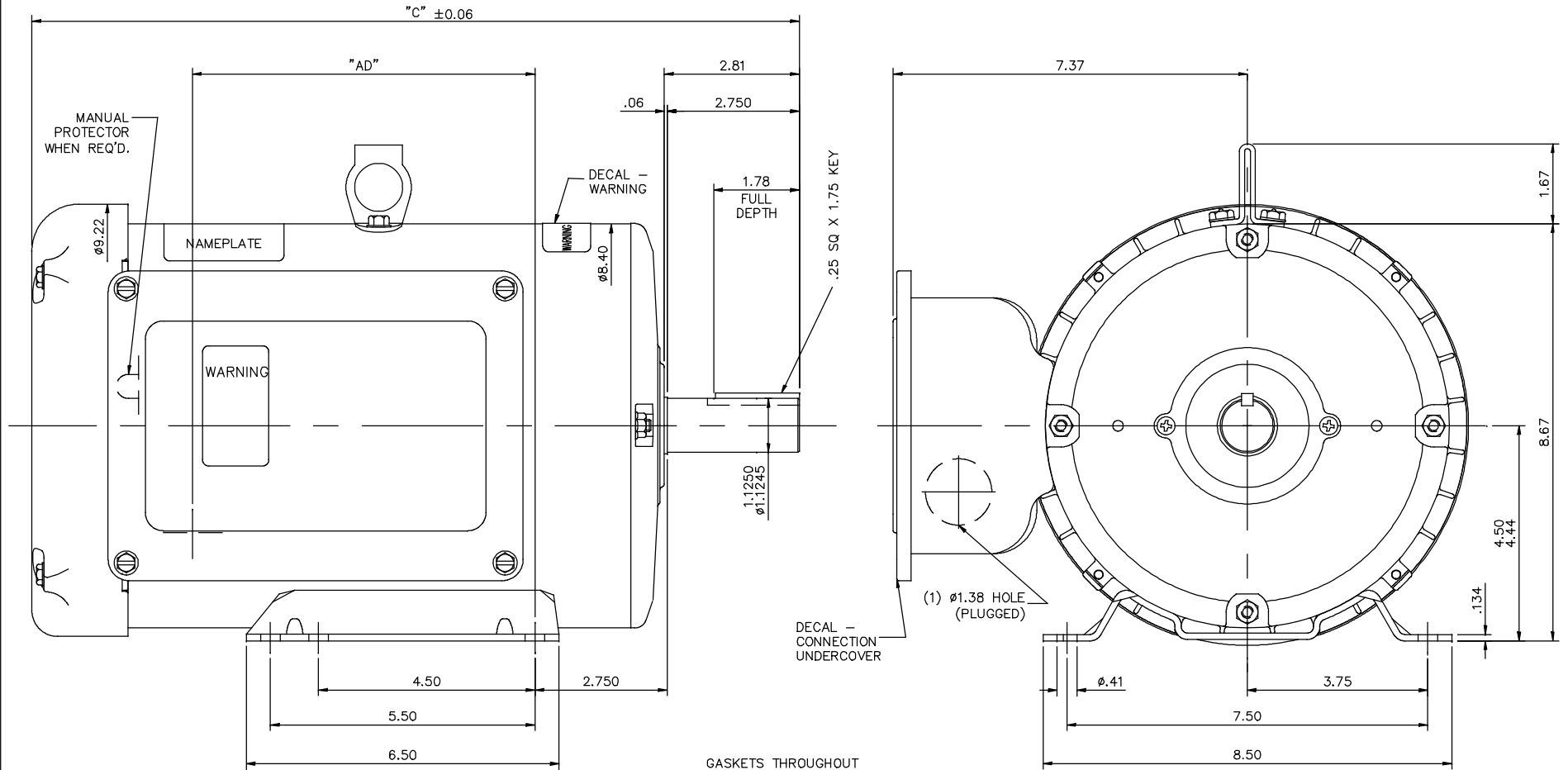
Output HP	5 Hp	Output KW	3.7 kW
Frequency	60 Hz	Voltage	230 V
Current	19.5 A	Speed	1755 rpm
Service Factor	1.15	Phase	1
Efficiency	85.5 %	Duty	Continuous
Insulation Class	F	Design Code	L
KVA Code	G	Frame	184T
Enclosure	Totally Enclosed Fan Cooled	Overload Protector	Manual
Ambient Temperature	40 °C	Drive End Bearing Size	6206
Opp Drive End Bearing Size	6205	UL	Recognized (Not Protector)
CSA	Y	CE	Y
IP Code	43		

Technical Specifications

Electrical Type	Capacitor Start Capacitor Run	Starting Method	Across The Line
Poles	4	Rotation	Selective Counterclockwise
Mounting	Rigid base	Motor Orientation	Horizontal
Drive End Bearing	Ball	Opp Drive End Bearing	Ball
Frame Material	Rolled Steel	Shaft Type	T
Overall Length	17.46 in	Frame Length	12.00 in
Shaft Diameter	1.125 in	Shaft Extension	2.81 in
Assembly/Box Mounting	F1 Only		
Outline Drawing	035636-1200	Connection Diagram	005056.03ME

This is an uncontrolled document once printed or downloaded and is subject to change without notice. Date Created: 06/29/2018

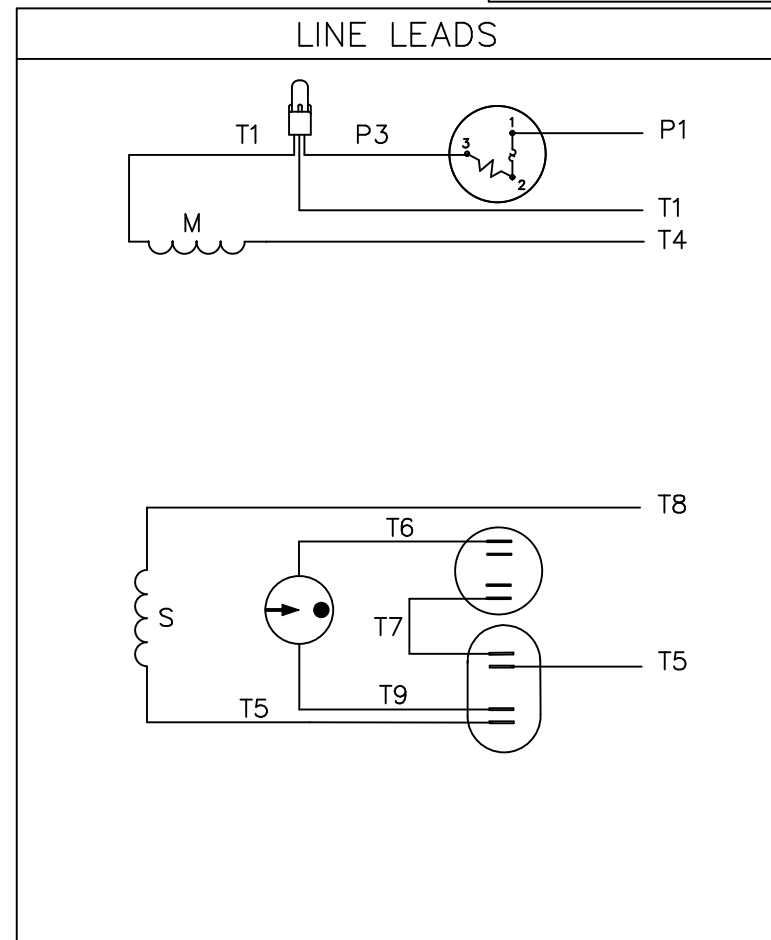
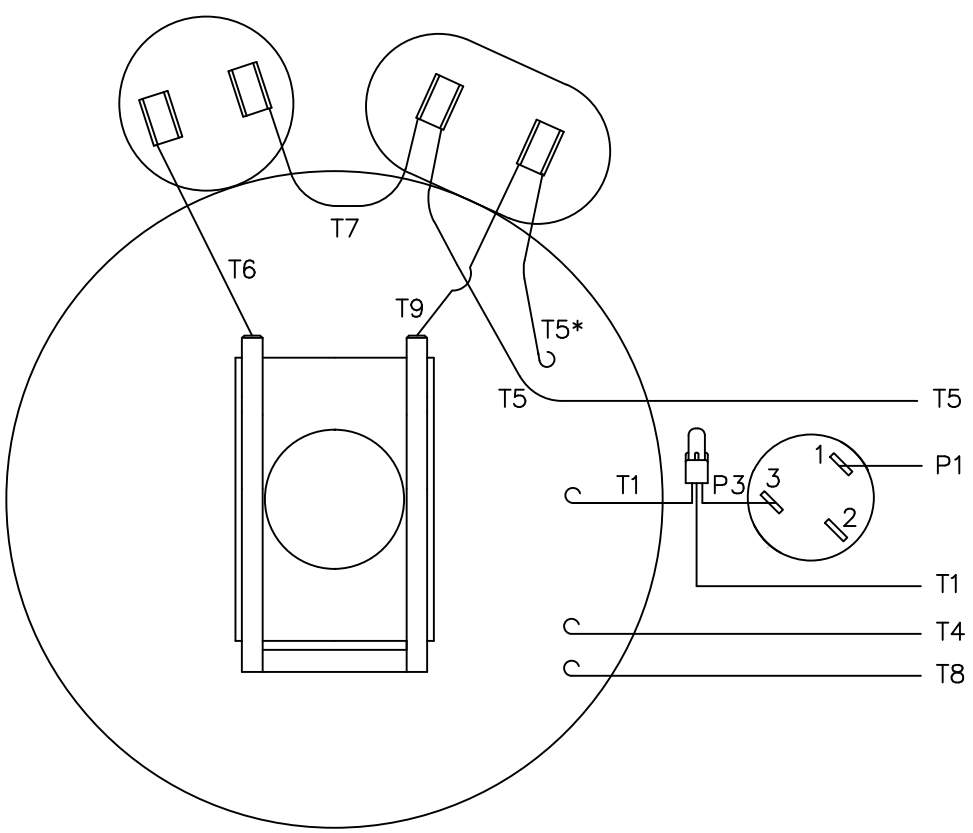
035636



DASH NO.	"C"	"AD"
1050	15.96	7.12
1100	16.46	7.62
1150	16.96	8.12
1200	17.46	8.62
1100	17.96	9.12
1150	18.46	9.62

TOLERANCES UNLESS SPECIFIED		REGAL™ Regal Beloit America, Inc.		DRAWN	YS 01/21/08
DEC.	INCHES	CHK		APPD	
.X	±0				
.XX	±0				
.XXX	±0				
.XXXX	±0				
ANG	±0				
RFP					
DIST					
B T.I.R NOTE RMOVED A NEW DRAWING NO. REVISION BY & DATE		MVG 08/23/17 SR .XXX ±0 YS 01/21/08 .XXXX ±0 CHK ANG ±0		TITLE OUTLINE - 180T TEFC-RIGID REF 035540&037598 FMF 184TBFW737 PREV	
THIS DRAWING IN DESIGN AND DETAIL IS OUR PROPERTY AND MUST NOT BE USED EXCEPT IN CONNECTION WITH OUR WORK. ALL RIGHTS OF DESIGN AND INVENTION ARE RESERVED. THIS IS AN ELECTRONICALLY GENERATED DOCUMENT - DO NOT SCALE THIS PRINT.				CAD FILE 035636 SIZE B	DRAWING NO. 035636 REV. B

VIEW FROM OUTSIDE OF MOTOR AT SWITCH END.



ROTATION FACING LEAD END	L1	L2	JOIN
C.C.W.	P1	T4, T5	T1, T8
C.W.	P1	T4, T8	T1, T5

* THIS LEAD MAY BE WHITE

		TOLERANCES UNLESS SPECIFIED		REGAL-BELOIT <i>Motor Technologies</i> TITLE EXTERNAL WIRING DIAGRAM TYPE "K" W/ PROTECTOR MAT'L. DECAL - 004015 FINISH CAD FILE 00505603ME SIZE A DRAWING NO. 005056-03ME REV.		DRAWN	LST 9/9/03
		DEC.	INCHES			CHK	KH 9/9/03
		.X	±.1			APPD	
		.XX	±.01			SCALE	1=1
		.XXX	±.005			REF	
NO.	REVISION	BY & DATE	CHK	ANG	±1/2'	FMF	139045
THIS DRAWING IN DESIGN AND DETAIL IS OUR PROPERTY AND MUST NOT BE USED EXCEPT IN CONNECTION WITH OUR WORK ALL RIGHTS OF DESIGN AND INVENTION ARE RESERVED THIS IS AN ELECTRONICALLY GENERATED DOCUMENT - DO NOT SCALE THIS PRINT				RFP		PREV	
				DIST	BRF-NLV		

