

PRODUCT INFORMATION PACKET

Model No: 184TTDW16082
Catalog No: C152B
2,1200,DP,184T,3/60/230/460
Open Drip Proof (ODP)



Regal and Marathon are trademarks of Regal Beloit Corporation or one of its affiliated companies.
©2018 Regal Beloit Corporation, All Rights Reserved. MC017097E



Nameplate Specifications

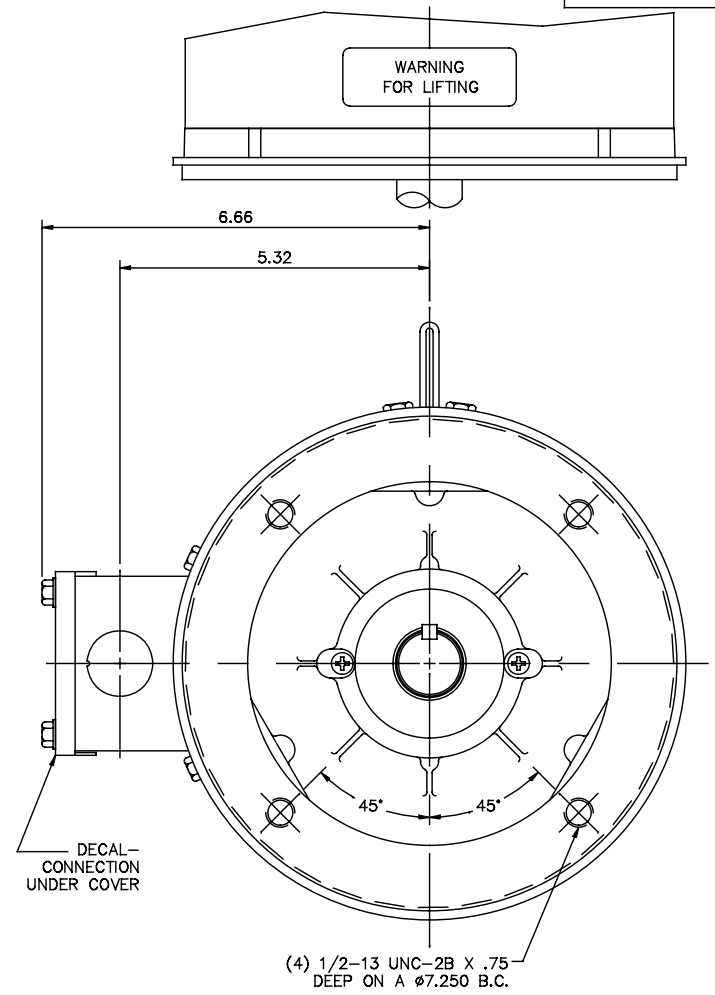
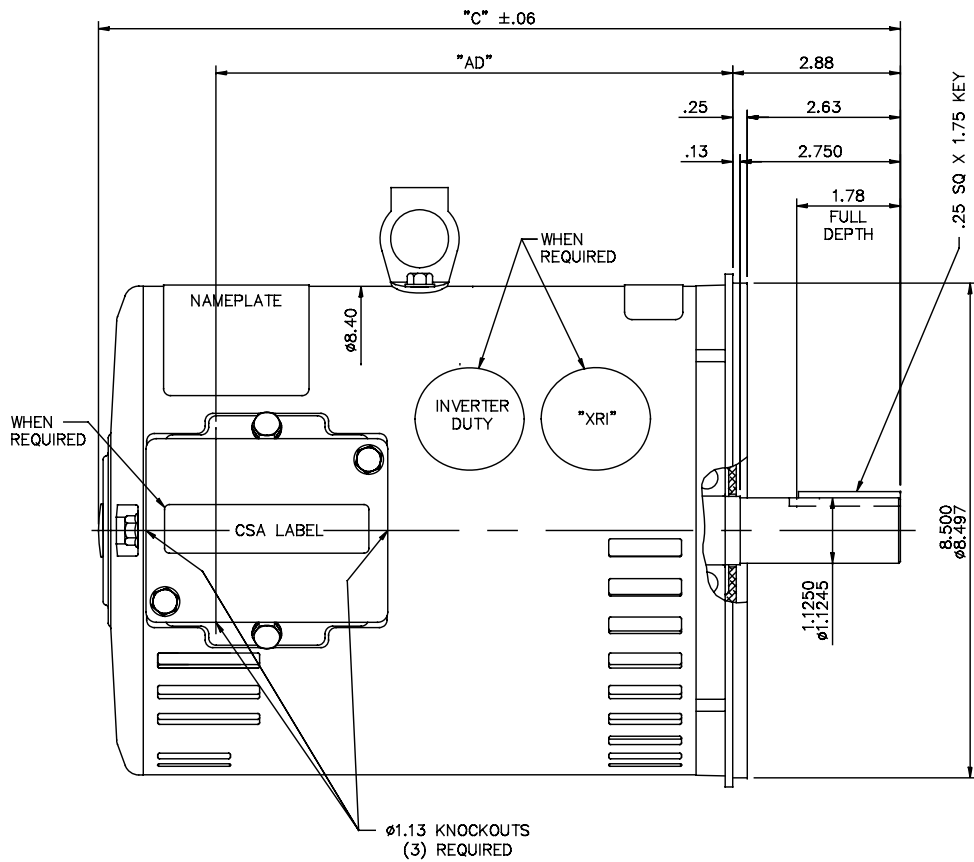
Output HP	2 Hp	Output KW	1.5 kW
Frequency	60 Hz	Voltage	230/460 V
Current	7.2/3.6 A	Speed	1182 rpm
Service Factor	1.15	Phase	3
Efficiency	88.5 %	Duty	Continuous
Insulation Class	B	Design Code	B
KVA Code	L	Frame	184TC
Enclosure	Drip Proof	Overload Protector	No
Ambient Temperature	40 °C	Drive End Bearing Size	6206
Opp Drive End Bearing Size	6205	UL	Recognized
CSA	Y	CE	Y
IP Code	12		

Technical Specifications

Electrical Type	Squirrel Cage Induction Run	Starting Method	Across The Line
Poles	6	Rotation	Reversible
Mounting	Round	Motor Orientation	Horizontal
Drive End Bearing	Ball	Opp Drive End Bearing	Ball
Frame Material	Rolled Steel	Shaft Type	T
Overall Length	15.28 in	Shaft Diameter	1.125 in
Shaft Extension	2.75 in	Assembly/Box Mounting	F1/F2 Capable
Outline Drawing	035593-1100	Connection Diagram	005010.01ME

This is an uncontrolled document once printed or downloaded and is subject to change without notice. Date Created: 06/29/2018

035593



GASKETS THROUGHOUT
 MAXIMUM FACE RUNOUT TO BE .004 T.I.R.
 MAXIMUM PILOT ECCENTRICITY TO BE .004 T.I.R.
 PERMISSIBLE SHAFT RUNOUT TO BE .002 T.I.R.


DASH NO.	"C"	"AD"
850	12.78	7.88
900	13.28	8.38
950	13.78	8.88
1000	14.28	9.38
1050	14.78	9.88
1100	15.28	10.38
1150	15.78	10.88

REVISION		BY & DATE	CHK	ANG	±1/2"	TOLERANCES UNLESS SPECIFIED	MARATHON ELECTRIC		DRAWN KVN 12/11/2007
NO.	DESCRIPTION					DEC.	INCHES		CHK
03	CSA LABEL and XRI DECAL ADDED	SAJ 07/03/15	GR	.XX	±.03	.X	±.1	TITLE	APPD
02	CONDUIT BOX UPDATED	PVR 04/08/14	JD	.XXX	±.005			OUTLINE - 180T FRAME	SCALE 1=2
01	ADD DECAL 080994-01 PER ISAAC 11-0611	LST 2/10/11	JD	.XXXX	±.0005			DRIP PROOF - "C" FACE	REF 035574 & 35445
								MAT'L	FMF 184TDW9308
								FINISH	PREV
	THIS DRAWING IN DESIGN AND DETAIL IS OUR PROPERTY AND MUST NOT BE USED EXCEPT IN CONNECTION WITH OUR WORK. ALL RIGHTS OF DESIGN AND INVENTION ARE RESERVED. THIS IS AN ELECTRONICALLY GENERATED DOCUMENT - DO NOT SCALE THIS PRINT.		RFP					CAD FILE	035593
			DIST	NLV				SIZE	B
								DRAWING NO.	035593
								REV.	03

VIEW FROM OUTSIDE OF MOTOR AT SWITCH END.



VOLTAGE	L1	L2	L3	JOIN & INSULATE
HIGH	T1	T2	T3	(T4,T7) (T5,T8) (T6,T9)
LOW	T1,T7	T2,T8	T3,T9	T4,T5,T6

		TOLERANCES UNLESS SPECIFIED				DRAWN RDW 04/12/02			
		DEC.	INCHES			CHK			
		.X	±.1	TITLE EXTERNAL WIRING DIAGRAM 3 PHASE W/O PROTECTOR		APPD			
		.XX	±.01			SCALE 1=1			
		.XXX	±.005			REF FIG.2-51			
		.XXXX	±.0005			FMF			
NO.	REVISION	BY & DATE	CHK	ANG	±1/2'	FINISH	PREV		
			RFP	04/12/02		CAD FILE 00501001ME	SIZE A	DRAWING NO. 005010-01ME	REV.
			DIST						

THIS DRAWING IN DESIGN AND DETAIL IS OUR PROPERTY AND MUST NOT BE USED EXCEPT IN CONNECTION WITH OUR WORK ALL RIGHTS OF DESIGN AND INVENTION ARE RESERVED THIS IS AN ELECTRONICALLY GENERATED DOCUMENT - DO NOT SCALE THIS PRINT

CERTIFICATION DATA SHEET

Model#: 184TTDW16082 AA **WINDING#:** T8629 NONE 3
CONN. DIAGRAM: 005010.01ME **ASSEMBLY:** F1/F2 CAPABLE
OUTLINE: 035593-1100

TYPICAL MOTOR PERFORMANCE DATA

HP	KW	SYNC. RPM	F.L. RPM	FRAME	ENCLOSURE	KVA CODE	DESIGN
2&1 1/2	1.49&1.12	1200	1182&1305	184TC	DP	L	B

PH	Hz	VOLTS	FL AMPS	START TYPE	DUTY	INSL	S.F	AMB°C	ELEVATION
3	60/50	230/460#190/ 380	7.15/3.6&7.2/3 .6	ACROSS THE LINE	CONTINUOU S	B4	1.15/1.15	40	3300

FULL LOAD EFF: 88.5&86.5	3/4 LOAD EFF: 87.5	1/2 LOAD EFF: 84.6	GTD. EFF	ELEC. TYPE	NO LOAD AMPS
FULL LOAD PF: 59&57	3/4 LOAD PF: 50.6	1/2 LOAD PF: 38.8	85.5	SQ CAGE IND RUN	5.1 / 2.5

F.L. TORQUE	LOCKED ROTOR AMPS	L.R. TORQUE	B.D. TORQUE	F.L. RISE°C
8.87 LB-FT	49 / 24.5	19.5 LB-FT 217	36 LB-FT 400	30

SOUND PRESSURE @ 3 FT.	SOUND POWER	ROTOR WK^2	MAX. WK^2	SAFE STALL TIME	STARTS /HOUR	APPROX. MOTOR WGT
0 dBA	10 dBA	0.561 LB-FT^2	0.6 LB-FT^2	10 SEC.	0	0 LBS.

***** SUPPLEMENTAL INFORMATION *****

DE BRACKET TYPE	ODE BRACKET TYPE	MOUNT TYPE	ORIENTATION	SEVERE DUTY	HAZARDOUS LOCATION	DRIP COVER	SCREENS	PAINT
C-FACE	STANDARD	ROUND	HORIZONTAL	FALSE	NONE	FALSE	NONE	BLUE (ENAMEL)

BEARINGS		GREASE	SHAFT TYPE	SPECIAL DE	SPECIAL ODE	SHAFT MATERIAL	FRAME MATERIAL
DE	OPE	POLYREX EM	T	NONE	NONE	AISI 1045 (C-240)	ROLLED STEEL
BALL	BALL						
6206	6205						

THERMO-PROTECTORS				THERMISTORS	CONTROL	SPACE /n HEATERS
THERMOSTATS	PROTECTORS	WDG RTDs	BRG RTDs	NONE	FALSE	NONE VOLTS
NONE	NOT	NONE	NONE			

If Inverter equals NONE, contact factory for further information

*
N
O
T
E
S
*

INVERTER TORQUE: NONE
INV. HP SPEED RANGE: NONE
ENCODER: NONE
NONE NONE
NONE NONE PPR
BRAKE: NONE NONE
NONE P/N NONE
NONE NONE
NONE FT-LB NONE V NONE Hz

DATE: 06/28/2017 06:42:20 AM
 FORM 3531 REV.3 02/07/99
 ** Subject to change without notice.

Data Sheet

Date: 19-06-2017
 Customer: _____
 Attention: _____
 Submitted by: FAREEDA DUDEKULA



184TTDW16082

Submittal
 Data @ 460 V

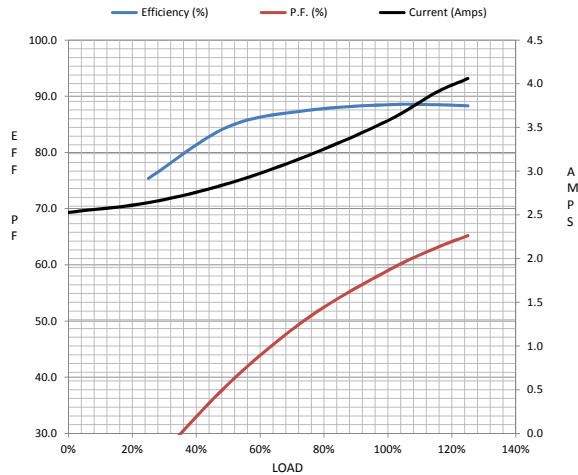
Motor Load Data

Load	0%	25%	50%	75%	100%	115%	125%	LR
Current (Amps)	2.53	2.64	2.86	3.2	3.6	3.9	4.1	24.5
Torque (ft-lb)	0.00	2.21	4.4	6.7	8.9	10.1	11.2	19.5
RPM	1200	1196	1192	1186	1182	1,180	1176	0
Efficiency (%)		75.4	84.6	87.5	88.5	88.5	88.3	
P.F. (%)	7.4	23.7	38.8	50.6	59.0	63.0	65.2	0.0

Motor Speed Data

	LR	Pull-Up	BD	Rated	Idle
Speed (RPM)	0	100	1000	1182	1200
Current (Amps)	24.5	22.5	14.7	3.6	2.53
Torque (ft-lb)	19.5	19.0	36.0	8.9	0.00

Information Block				
HP	2.0			
Sync. RPM	1200			
Frame	180			
Enclosure	DP			
Construction	TDW			
Voltage	30/460#190/38V			
Frequency	60 Hz			
Design	B			
LR Code letter	L			
Service Factor	1.15			
Temp Rise @ FL	30 ° C			
Duty	CONT			
Ambient	40 ° C			
Elevation	1,000 feet			
Rotor/Shaft wk ²	0.56 Lb-Ft ²			
Ref Wdg	T8629 NONE			
Sound Pressure @ 1M	0 dBA			
VFD Rating	NONE			
Outline Dwg	035593-1100			
Conn. Diag	005010.01ME			
Additional Specifications:				
0				
365THFS8036				
EQUIV CKT (OHMS / PHASE)				
R1	R2	X1	X2	Xm
0.0000	0.0000	0.0000	0.0000	0.0000



Speed -Torque Curve

