

PRODUCT INFORMATION PACKET

Model No: 184TTDW7287
Catalog No: Y486A
5,1800/900,DP,184T,3/60/200-230
Other Purpose



Regal and Marathon are trademarks of Regal Beloit Corporation or one of its affiliated companies.
©2018 Regal Beloit Corporation, All Rights Reserved. MC017097E



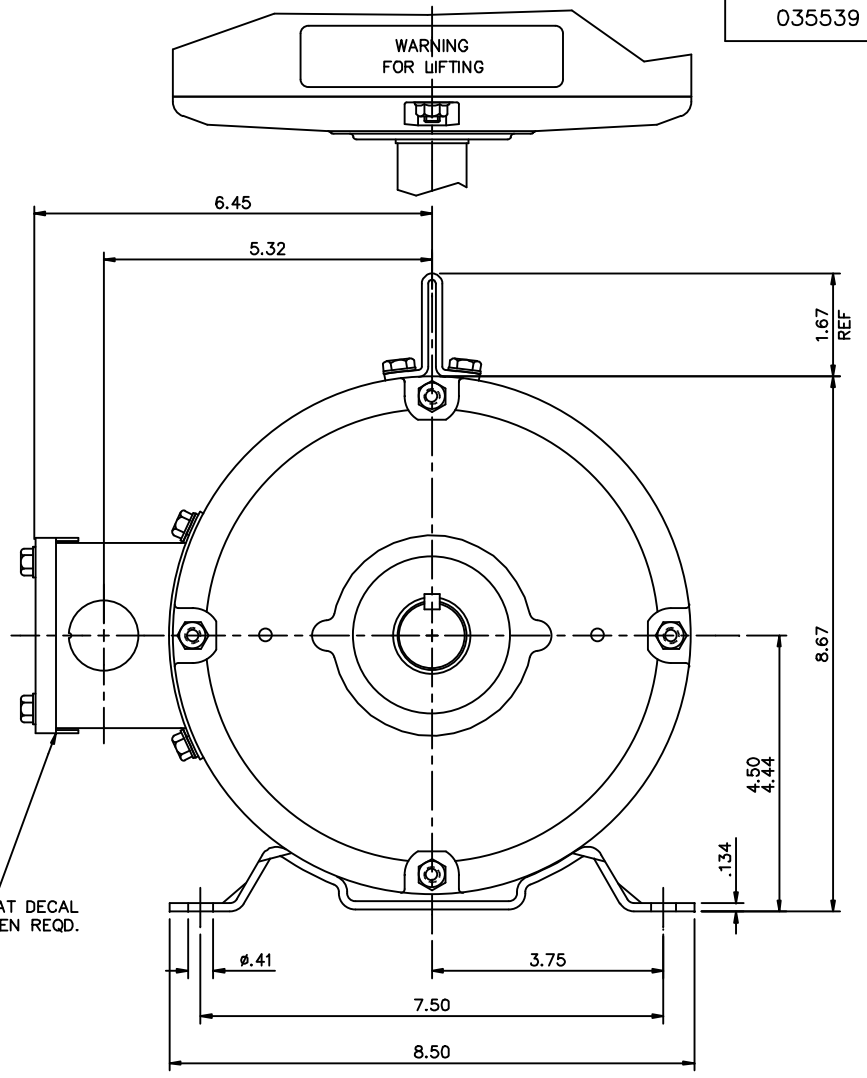
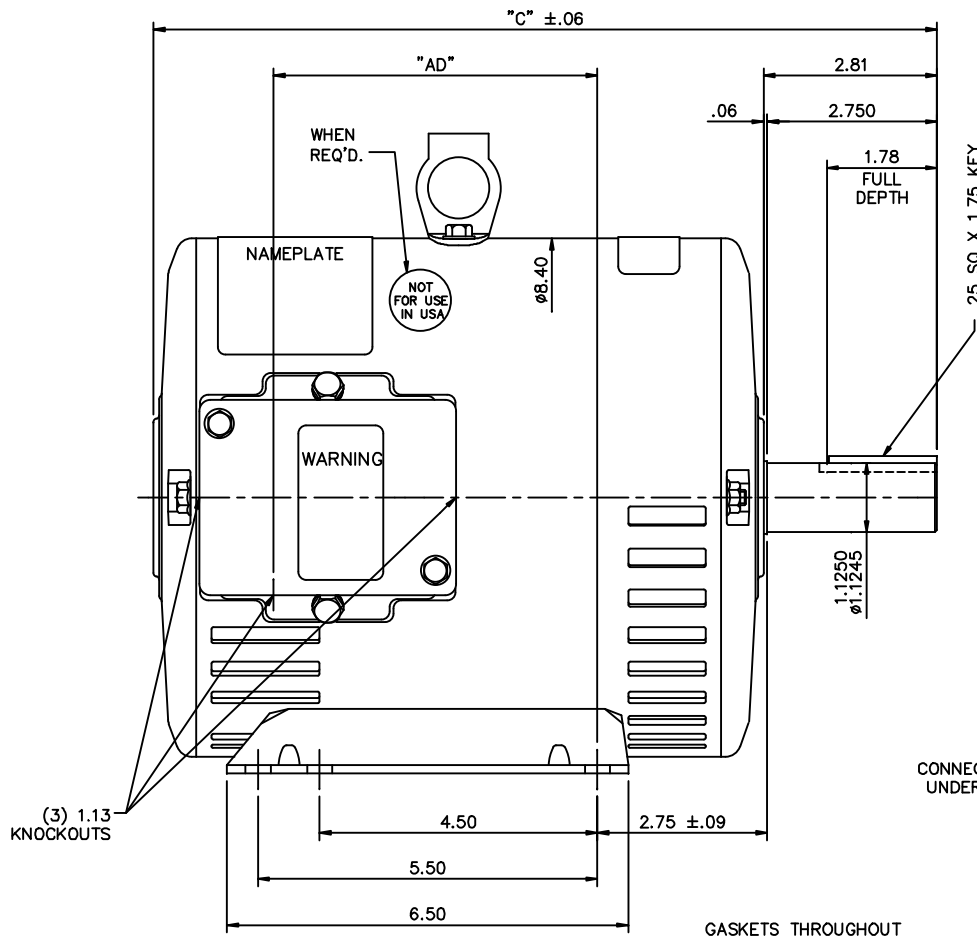
Nameplate Specifications

Output HP	5,1.25 Hp	Output KW	3.7 kW
Frequency	60 Hz	Voltage	200-230 V
Current	14.5-13.8,5.6-6 A	Speed	1755,875 rpm
Service Factor	1.15	Phase	3
Efficiency	85.5 %	Duty	Continous
Insulation Class	F	Design Code	1VT
KVA Code	J	Frame	184T
Enclosure	Drip Proof	Overload Protector	No
Ambient Temperature	40 °C	Drive End Bearing Size	6206
Opp Drive End Bearing Size	6205	UL	Recognized
CSA	Y	CE	Y
IP Code	22		

Technical Specifications

Electrical Type	Squirrel Cage Induction Run	Starting Method	Across The Line
Poles	4/8	Rotation	Reversible
Mounting	Rigid base	Motor Orientation	Horizontal
Drive End Bearing	Ball	Opp Drive End Bearing	Ball
Frame Material	Rolled Steel	Shaft Type	T
Overall Length	14.19 in	Frame Length	10.00 in
Shaft Diameter	1.125 in	Shaft Extension	2.81 in
Assembly/Box Mounting	F1 Only		
Outline Drawing	035539-1000	Connection Diagram	005200.01ME

This is an uncontrolled document once printed or downloaded and is subject to change without notice. Date Created: 06/29/2018

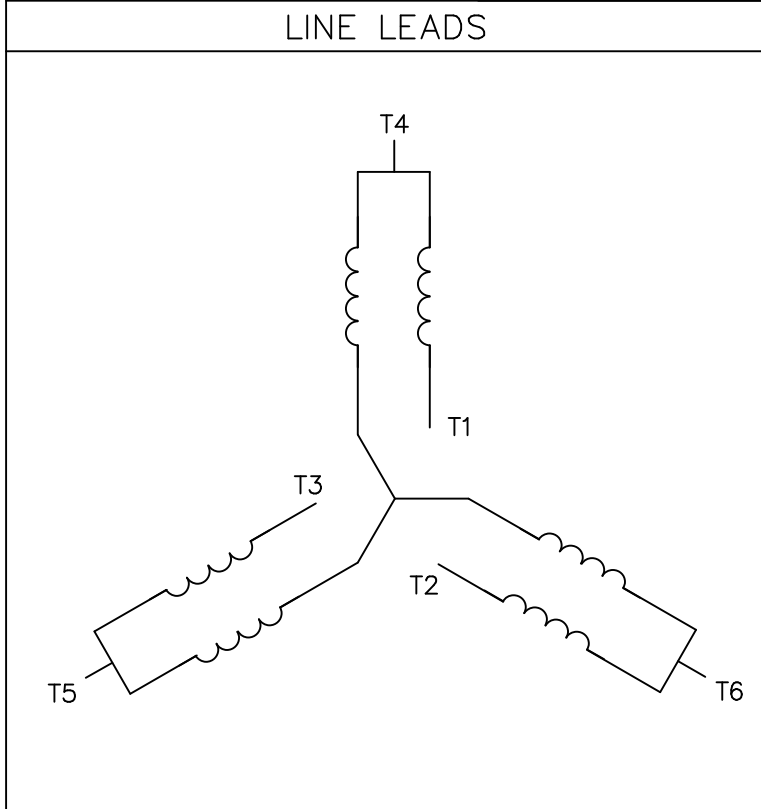
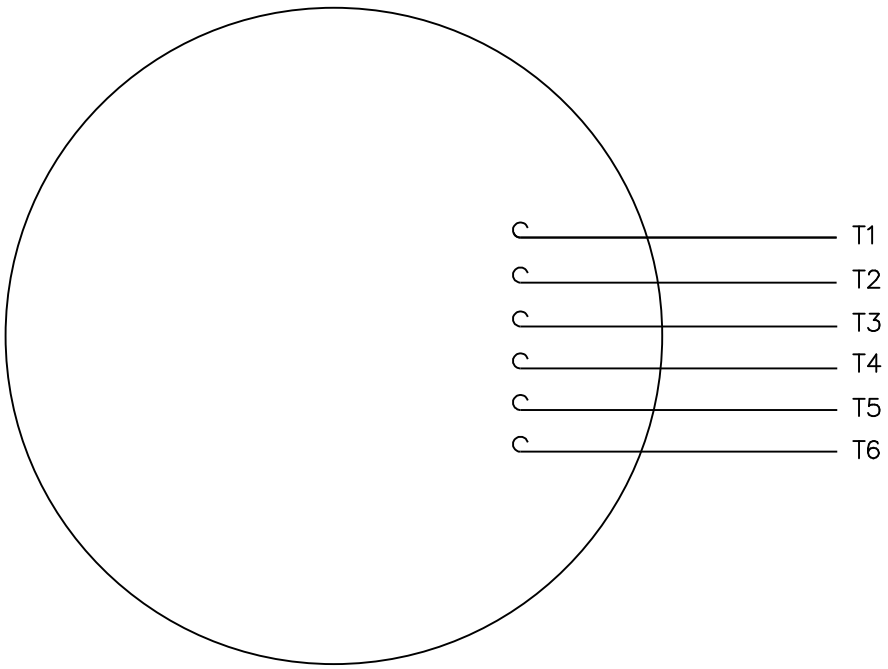


GASKETS THROUGHOUT

DASH NO.	"C"	"AD"
850	12.69	5.25
900	13.19	5.75
950	13.69	6.25
1000	14.19	6.75
1050	14.69	7.25
1100	15.19	7.75
1150	15.69	8.25

				TOLERANCES UNLESS SPECIFIED		MARATHON ELECTRIC		DRAWN YS 07/23/07			
				DEC.	INCHES			CHK			
				.X	±.1			APPD			
				.XX	±.03	TITLE		SCALE	1-2		
02	SHOWN "NOT FOR USE IN USA" DECAL LOCATION			JD	05/07/12	OUTLINE - 180T FRAME		REF	035464		
01	CHANGED TO NEW CONDUIT BOX 022737			YS	03/19/08	DRIP PROOF - RIGID		FMF			
				.XXX	±.005	MAT'L		PREV			
				.XXXX	±.0005	GENERAL PURPOSE					
NO.	REVISION	BY & DATE	CHK	ANG	±1/2'	FINISH					
THIS DRAWING IN DESIGN AND DETAIL IS OUR PROPERTY AND MUST NOT BE USED EXCEPT IN CONNECTION WITH OUR WORK ALL RIGHTS OF DESIGN AND INVENTION ARE RESERVED THIS IS AN ELECTRONICALLY GENERATED DOCUMENT - DO NOT SCALE THIS PRINT						RFP	CAD FILE	035539	SIZE	DRAWING NO.	REV.
						DIST			B	035539	02

VIEW FROM OUTSIDE OF MOTOR AT SWITCH END.



SPEED	L1	L2	L3	JOIN	SEPARATE
HIGH	T6	T4	T5	(T1,T2,T3)	
LOW	T1	T2	T3		(T4)(T5)(T6)

				TOLERANCES UNLESS SPECIFIED			DRAWN MGM 12/2/02	
				DEC.	INCHES		CHK	
				.X	±.1		APPD	
				.XX	±.01		SCALE 1=1	
				.XXX	±.005		REF 080066	
				.XXXX	±.0005	MAT'L. DECAL - 004183/080066		
NO.	REVISION	BY & DATE	CHK	ANG	±1/2"	FINISH		FMF 83648D1
THIS DRAWING IN DESIGN AND DETAIL IS OUR PROPERTY AND MUST NOT BE USED EXCEPT IN CONNECTION WITH OUR WORK ALL RIGHTS OF DESIGN AND INVENTION ARE RESERVED THIS IS AN ELECTRONICALLY GENERATED DOCUMENT - DO NOT SCALE THIS PRINT				RFP	CAD FILE 00520001ME		SIZE A	DRAWING NO. 005200-01ME
				DIST				REV.

CERTIFICATION DATA SHEET

Model#: 184TTDW7287 AA WINDING#: T8(4-8)18 NONE 1
 CONN. DIAGRAM: 005200.01ME ASSEMBLY: F1 ONLY
 OUTLINE: 035539-1000

TYPICAL MOTOR PERFORMANCE DATA

HP	KW	SYNC. RPM	F.L. RPM	FRAME	ENCLOSURE	KVA CODE	DESIGN
5&1 1/4	3.70&.93	900	1755&875	184T	DP	J	1VT

PH	Hz	VOLTS	FL AMPS	START TYPE	DUTY	INSL	S.F	AMB°C	ELEVATION
3	60/60	200-230	14.5-13.8&5.6-6	ACROSS THE LINE	CONTINUOUS	F4	1.15/1.15	40	3300

FULL LOAD EFF: 85.5&75	3/4 LOAD EFF: 76.5	1/2 LOAD EFF: 71.7	GTD. EFF	ELEC. TYPE	NO LOAD AMPS
FULL LOAD PF: 78&52	3/4 LOAD PF: 41.2	1/2 LOAD PF: 31	75.5	SQ CAGE IND RUN	5

F.L. TORQUE	LOCKED ROTOR AMPS	L.R. TORQUE	B.D. TORQUE	F.L. RISE°C
7.5 LB-FT	23.4	16.87 LB-FT 225	21.49 LB-FT 287	70

SOUND PRESSURE @ 3 FT.	SOUND POWER	ROTOR WK^2	MAX. WK^2	SAFE STALL TIME	STARTS /HOUR	APPROX. MOTOR WGT
0 dBA	10 dBA	0 LB-FT^2	0 LB-FT^2	10 SEC.	0	0 LBS.

*** SUPPLEMENTAL INFORMATION ***

DE BRACKET TYPE	ODE BRACKET TYPE	MOUNT TYPE	ORIENTATION	SEVERE DUTY	HAZARDOUS LOCATION	DRIP COVER	SCREENS	PAINT
STANDARD	STANDARD	RIGID	HORIZONTAL	FALSE	NONE	FALSE	NONE	BLUE (ENAMEL)

BEARINGS		GREASE	SHAFT TYPE	SPECIAL DE	SPECIAL ODE	SHAFT MATERIAL	FRAME MATERIAL
DE	OPE	POLYREX EM	T	NONE	NONE	1144 STRESSPROOF (C-223)	ROLLED STEEL
BALL	BALL						
6206	6205						

THERMO-PROTECTORS				THERMISTORS	CONTROL	SPACE /n HEATERS
THERMOSTATS	PROTECTORS	WDG RTDs	BRG RTDs			
NONE	NOT	NONE	NONE	NONE	FALSE	NONE VOLTS

If Inverter equals NONE, contact factory for further information

INVERTER TORQUE: NONE
INV. HP SPEED RANGE: NONE
ENCODER: NONE
NONE NONE
NONE NONE PPR
BRAKE: NONE NONE
NONE P/N NONE
NONE NONE
NONE FT-LB NONE V NONE Hz

*
N
O
T
E
S
*

DATE: 06/28/2017 06:48:57 AM
 FORM 3531 REV.3 02/07/99
 ** Subject to change without notice.

Data Sheet

1841TDW7287



Submission
Data @ 230 V

Date: 6/20/2017

Customer:

Attention:

Submitted by:

FAREEDA DUDEKULA

Motor Load Data

Load	0%	25%	50%	75%	100%	115%	125%	LR
Current (Amps)	9.0	9.0	10.5	12.4	14.6	16.0	16.8	139
Torque (ft-lb)	0.00	3.8	7.5	11.3	15.0	17.3	18.8	44.6
RPM	1800	1795	1788	1780	1775	1769	1765	0
Efficiency (%)		77.1	83.4	85.7	86.5	86.9	86.8	
P.F. (%)	23.2	34.6	54.6	67.2	74.8	78.2	80.9	0.0

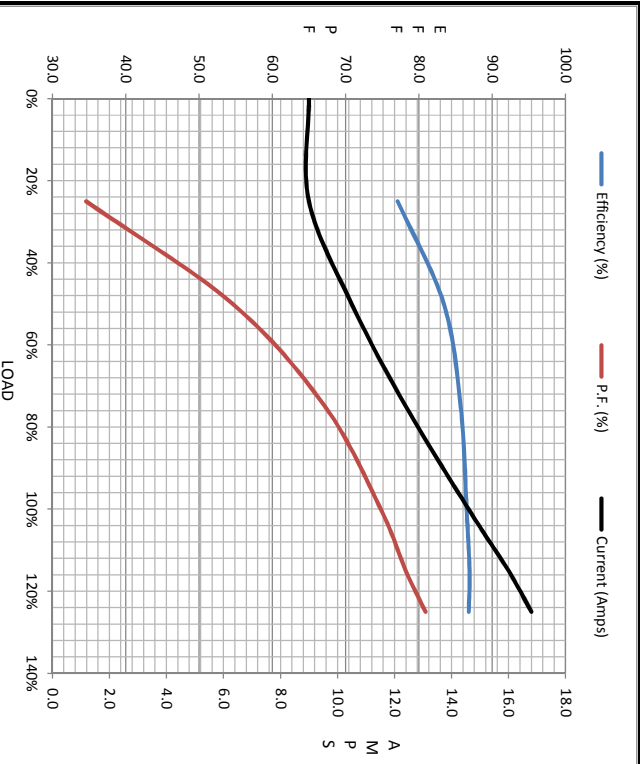
Motor Speed Data

	LR	Pull-Up	BD	Rated	Idle
Speed (rpm)	0	121	1300	1775	1800
Current (Amps)	139	126	99.0	14.6	9.0
Torque (ft-lb)	44.6	44.8	71.4	15.0	0.00

Information Block

HP	5.0
Sync. RPM	1800
Frame	184
Enclosure	DP
Construction	TDW
Voltage	200-230 V
Frequency	60 HZ
Design	A
LR Code letter	M
Service Factor	1.15
Temp Rise @ FL	55 °C
Duty	CONT
Ambient	40 °C
Elevation	1,000 feet
Rotor/Shaft wk ^e	0.00 Lb-Fe
Rel Wdg	T8(4-9)18 NONE
Sound Pressure @ 1M	0 dBA
VFD Rating	NONE
Outline Dwg	035539-1000
Conn. Diag	005200.01ME
Additional Specifications:	
0	
0	

EQUIV CKT (OHMS / PHASE)					
R1	R2	X1	X2	Xm	
0.00000	0.00000	0.00000	0.00000	0.00000	



Speed -Torque Curve

