

PRODUCT INFORMATION PACKET

Model No: 184TTFS7290
Catalog No: Y380
3/1800/900, TEFC, 184T, 3/60/460
Other Purpose



Regal and Marathon are trademarks of Regal Beloit Corporation or one of its affiliated companies.
©2018 Regal Beloit Corporation, All Rights Reserved. MC017097E



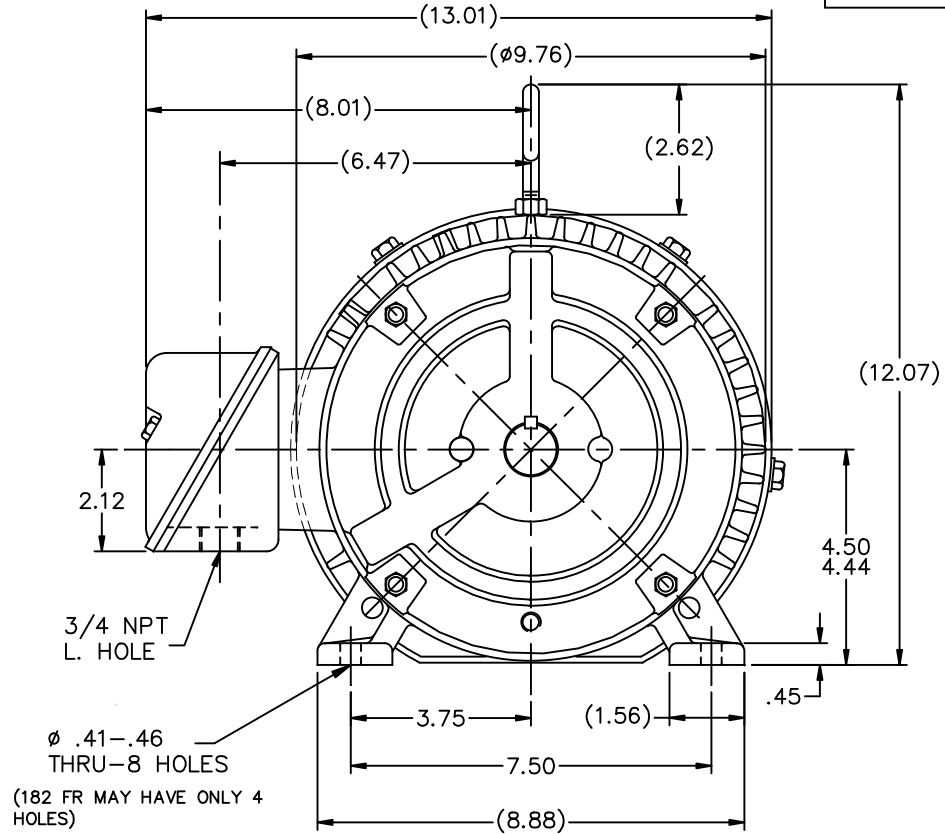
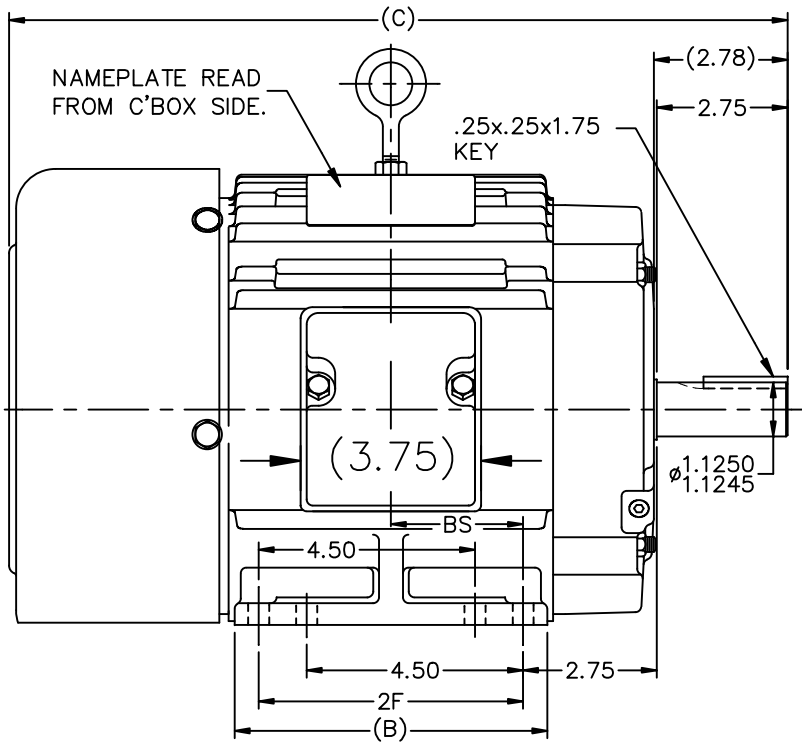


Nameplate Specifications

Output HP	3,0.75 Hp	Output KW	2.2 kW
Frequency	60 Hz	Voltage	460 V
Current	4,1.75 A	Speed	1760,875 rpm
Service Factor	1.15	Phase	3
Efficiency	85.5 %	Duty	Continous
Insulation Class	F	Design Code	1VT
KVA Code	K	Frame	184T
Enclosure	Totally Enclosed Fan Cooled	Overload Protector	No
Ambient Temperature	40 °C	Drive End Bearing Size	6206
Opp Drive End Bearing Size	6205	UL	Recognized
CSA	Y	CE	Y
IP Code	55		

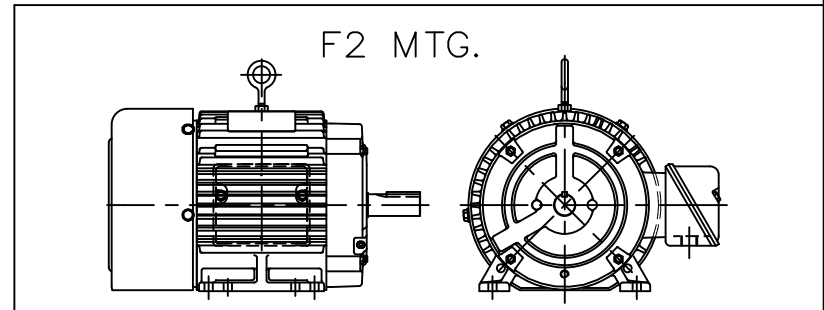
Technical Specifications

Electrical Type	Squirrel Cage Induction Run	Starting Method	Across The Line
Poles	4/8	Rotation	Reversible
Mounting	Rigid base	Motor Orientation	Horizontal
Drive End Bearing	Ball	Opp Drive End Bearing	Ball
Frame Material	Cast Iron	Shaft Type	T
Overall Length	16.19 in	Frame Length	6.75 in
Shaft Diameter	1.125 in	Shaft Extension	2.78 in
Assembly/Box Mounting	F1/F2 Capable		
Outline Drawing	A-SS63661-675	Connection Diagram	A-EE7322



BOX CAN BE MOUNTED ON OPPOSITE SIDE BY REMOVING BRACKETS & TURNING FRAME 180°.

BOX CAN BE ROTATED IN 90° STEPS.



DASH	FR.	C	B	2F	BS
575	182T	15.19	5.50	4.50	2.25
675	184T	16.19	6.50	5.50	2.75
800	184T	17.44	7.75	5.50	3.38

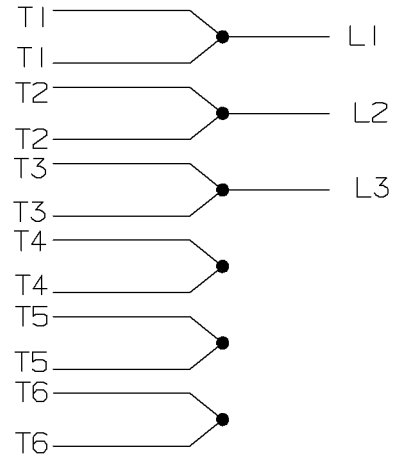
NO.	REVISION	BY & DATE	CHK	ANG	TOLERANCES UNLESS SPECIFIED	FINISH	PREV
13	CHG COND. BOX DIM, WAS 5.00 NOW 3.75 ECN 18821	TF 01/31/2011	EMH				
12	REDRAWN IN AUTOCAD	TAT 06-29-2004	ML	DEC.	INCHES		
11	UPDATED MOUNTING HOLE NOTE CN 26000-581	DRS 01-02-2002	ML	.X	±.1		
10	ADDED 182 FR. MAY HAV... NOTE CN 26000-581	MRB 07-02-1998		.XX	±.03	TITLE OUTLINE	SCALE 1=4
9	ADDED 4 MOUNTING HOLES	MJD 06-09-1998		.XXX	±.005	180 FR. - BB - TS - TEFC	REF
8	ADDED NEMA "O" DIMENSION	MRB 09-12-1996		.XXXX	±.0005	MAT'L.	FMF
							PREV
			RFP			CAD FILE ss63661	SIZE A
			DIST LB				DRAWING NO. SS63661
							PAGE OF 13
							REV. 13

THIS DRAWING IN DESIGN AND DETAIL IS OUR PROPERTY AND MUST NOT BE USED EXCEPT IN CONNECTION WITH OUR WORK ALL RIGHTS OF DESIGN AND INVENTION ARE RESERVED THIS IS AN ELECTRONICALLY GENERATED DOCUMENT - DO NOT SCALE THIS PRINT

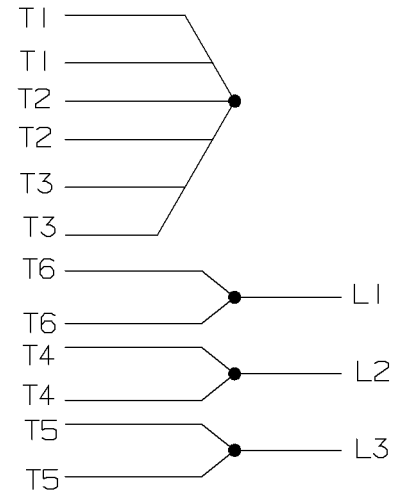
A- EE7322

FOR DUAL LEADS

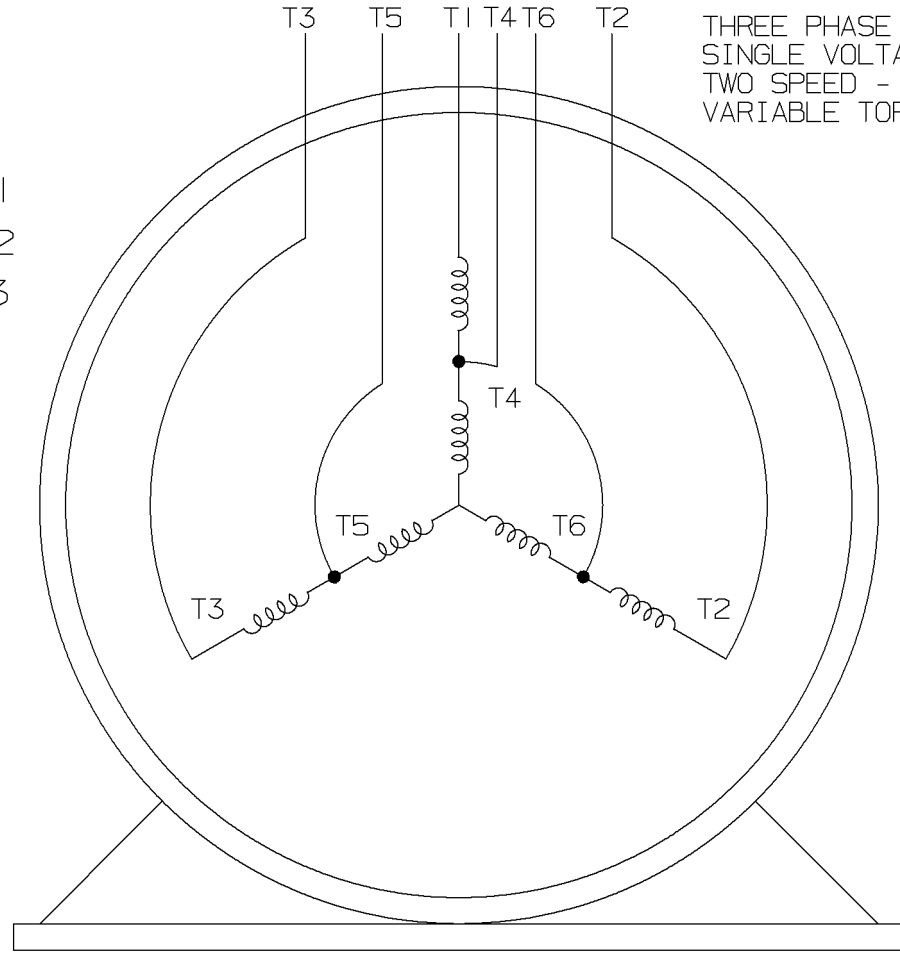
LOW SPEED



HIGH SPEED

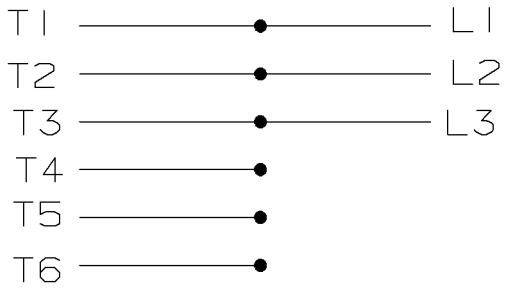


THREE PHASE MOTOR
SINGLE VOLTAGE
TWO SPEED - SGL. WDG.
VARIABLE TORQUE

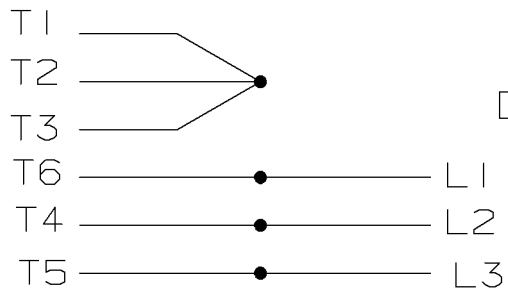


VIEW OF TERMINAL END

LOW SPEED



HIGH SPEED



T612C
T48B

				✓ MAX. SURFACE ROUGHNESS UNLESS NOTED OTHERWISE	UNLESS OTHERWISE SPECIFIED DIMENSIONS ARE IN INCHES TOL. ON XX± XXX±.005 XXXX±.0005 ANGLES±		
				MATL SPEC			DRAWN BY PGK 12-26-1996
				FINISH	MARATHON ELECTRIC		CHKD BY ML 01-07-1997
7	01-08-1997	REDRAWN ON CADD	CN 24000-27	PGK	REFERENCE DRW.	WAUSAU, WISCONSIN 54401	APPD BY TB 01-07-1997
REV	DATE	CHANGE		NAME	PART NAME CONNECTION DIAGRAM 3Ø - SINGLE VOLTAGE - 2 SPEED	DRWG NO A- EE7322	

SHOP BOOK | PURCHASED | DISTRIBUTION - WA - LB - WP - LM - BR | CADD FILE NO. | EE7322

CERTIFICATION DATA SHEET

Model#: 184TTFS7290 AR **WINDING#:** 184(4-8)51 NONE 1
CONN. DIAGRAM: A-EE7322 **ASSEMBLY:** F1/F2 CAPABLE
OUTLINE: A-SS63661-675

TYPICAL MOTOR PERFORMANCE DATA

HP	KW	SYNC. RPM	F.L. RPM	FRAME	ENCLOSURE	KVA CODE	DESIGN
3&3/4	2.24&0.56	900	1760&875	184T	TEFC	K	1VT

PH	Hz	VOLTS	FL AMPS	START TYPE	DUTY	INSL	S.F	AMB°C	ELEVATION
3	60/60	460	4&1.75	ACROSS THE LINE	CONTINUOUS	F3	1.15/1.15	40	3300

FULL LOAD EFF: 85.5&74	3/4 LOAD EFF: 70	1/2 LOAD EFF: 64	GTD. EFF	ELEC. TYPE	NO LOAD AMPS
FULL LOAD PF: 82&55	3/4 LOAD PF: 46.5	1/2 LOAD PF: 36	68.8	SQ CAGE IND RUN	1.4

F.L. TORQUE	LOCKED ROTOR AMPS	L.R. TORQUE	B.D. TORQUE	F.L. RISE°C
4.5 LB-FT	6.5	5.6 LB-FT 124	11.8 LB-FT 262	60

SOUND PRESSURE @ 3 FT.	SOUND POWER	ROTOR WK^2	MAX. WK^2	SAFE STALL TIME	STARTS /HOUR	APPROX. MOTOR WGT
54 dBA	64 dBA	0.46 LB-FT^2	- LB-FT^2	20 SEC.	-	130 LBS.

***** SUPPLEMENTAL INFORMATION *****

DE BRACKET TYPE	ODE BRACKET TYPE	MOUNT TYPE	ORIENTATION	SEVERE DUTY	HAZARDOUS LOCATION	DRIP COVER	SCREENS	PAINT
STANDARD	STANDARD	RIGID	HORIZONTAL	PREMIUM SEVERE DUTY	NONE	FALSE	NONE	BLUE (EPOXY)

BEARINGS		GREASE	SHAFT TYPE	SPECIAL DE	SPECIAL ODE	SHAFT MATERIAL	FRAME MATERIAL
DE	OPE	POLYREX EM	T	NONE	NONE	1144 STRESSPROOF (C-223)	CAST IRON
BALL	BALL						
6206	6205						

THERMO-PROTECTORS				THERMISTORS	CONTROL	SPACE /n HEATERS
THERMOSTATS	PROTECTORS	WDG RTDs	BRG RTDs	NONE	FALSE	NONE VOLTS
NONE	NOT	NONE	NONE			

If Inverter equals NONE, contact factory for further information

INVERTER TORQUE: NONE
INV. HP SPEED RANGE: NONE
ENCODER: NONE
NONE NONE
NONE NONE PPR
BRAKE: NONE NONE
NONE P/N NONE
NONE NONE
NONE FT-LB NONE V NONE Hz

*
N
O
T
E
S
*

DATE: 06/28/2017 07:26:59 AM
 FORM 3531 REV.3 02/07/99
 ** Subject to change without notice.