

PRODUCT INFORMATION PACKET

Model No: 5K49HN6385

Catalog No: K2104

0.50 HP Explosion Proof Motor, 3 phase, 1200 RPM, 230/460 V, 56 Frame, EPFC
Explosion Proof NEMA Motors



Regal and Marathon are trademarks of Regal Beloit Corporation or one of its affiliated companies.
©2020 Regal Beloit Corporation, All Rights Reserved. MC017097E

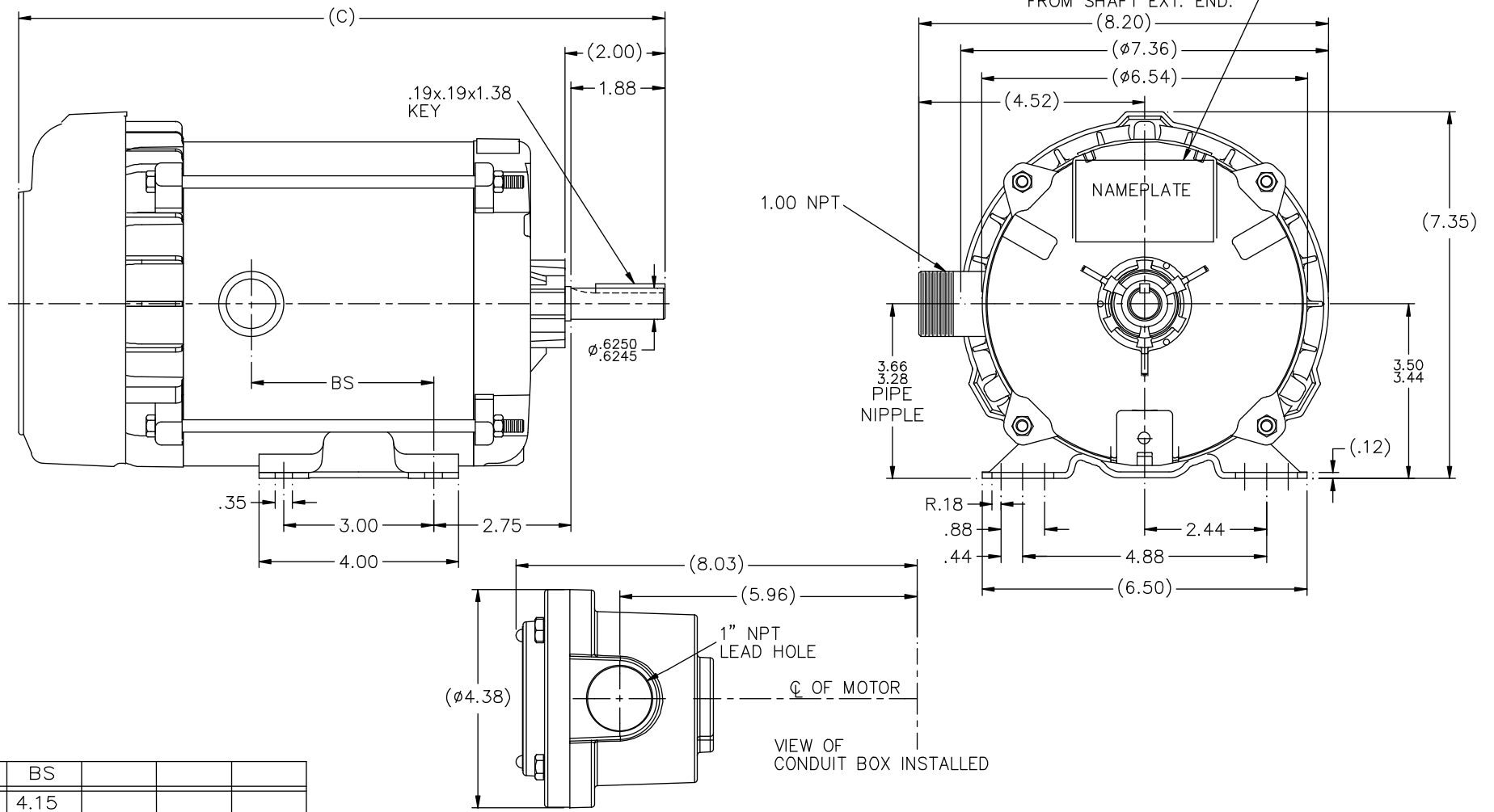
REGAL

Nameplate Specifications

| | | | |
|------------------------|--|----------------------------|----------------------------|
| Output HP | 0.50 Hp | Output KW | 0.37 kW |
| Frequency | 60 Hz | Voltage | 230/460 V |
| Current | 2.7/1.4 A | Speed | 1140 rpm |
| Service Factor | 1 | Phase | 3 |
| Efficiency | 68 % | Power Factor | 52.3 |
| Duty | Continuous | Insulation Class | B |
| Design Code | B | KVA Code | L |
| Frame | 56 | Enclosure | Explosion Proof Fan cooled |
| Thermal Protection | Automatic | Ambient Temperature | 40 °C |
| Drive End Bearing Size | 6203 | Opp Drive End Bearing Size | 6203 |
| UL | UL Listed And CSA Certified | CSA | N |
| CE | N | IP Code | 54 |
| Hazardous Location | EXP PROOF CL I GR C&D CL II GR F&G T3B | | |

Technical Specifications

| | | | |
|-----------------------|-----------------------------|-----------------------|-----------------|
| Electrical Type | Squirrel Cage Induction Run | Starting Method | Across The Line |
| Poles | 6 | Rotation | Reversible |
| Resistance Main | 9.2 Ohms | Mounting | Rigid base |
| Motor Orientation | Horizontal | Drive End Bearing | Ball |
| Opp Drive End Bearing | Ball | Frame Material | Rolled Steel |
| Shaft Type | NEMA 56 | Overall Length | 13.44 in |
| Frame Length | 6.31 in | Shaft Diameter | 0.625 in |
| Shaft Extension | 2 in | Assembly/Box Mounting | F1 ONLY |
| Outline Drawing | B-104189GE-631 | Connection Drawing | A-EE7335-GE |

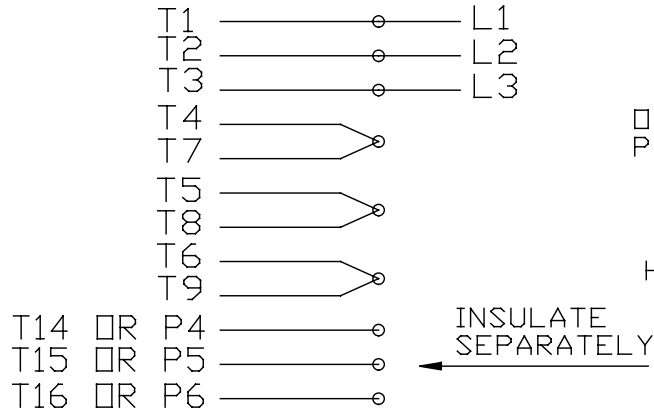


| DASH | (C) | BS | | | |
|------|-------|------|--|--|--|
| 631 | 13.44 | 4.15 | | | |
| 681 | 13.94 | 4.65 | | | |
| 731 | 14.44 | 5.15 | | | |
| 781 | 14.94 | 5.65 | | | |
| 831 | 15.44 | 6.15 | | | |
| 881 | 15.94 | 6.65 | | | |
| 931 | 16.44 | 7.15 | | | |
| 981 | 16.94 | 7.65 | | | |

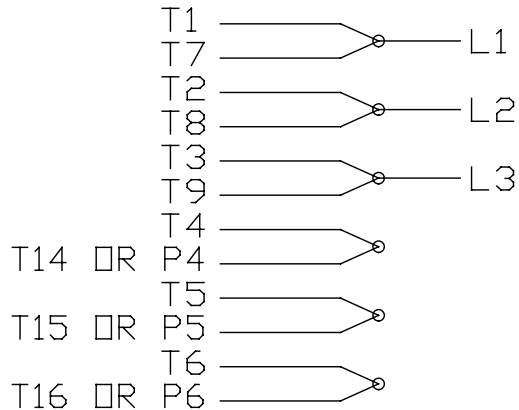
| | | TOLERANCES UNLESS SPECIFIED | | REGAL-BELOIT CORPORATION | | DRAWING NO. 11-30-04 | |
|--|--|-----------------------------|------------|--------------------------|-------------------|----------------------|-------------------------------|
| | | DEC. | INCHES | REGAL-BELOIT CORPORATION | | CHK | ML 01-12-05 |
| 4 | COND. BOX INSTALLED VIEW UPDATED PER ECR-0044571 | UD | 10/15/13 | ST | .X | ±.1 | APPD DRN 01-13-05 |
| 3 | REVISED C'BOX PER CN40784A | JJB | 02/23/2007 | ML | .XX | ±.03 | SCALE 1=2 |
| 2 | CHANGED LOGO TO REGAL BELOIT | TAT | 09-07-2005 | ML | .XXX | ±.005 | REF |
| 1 | ADD GE TO PART NO | MJK | 12/20/2004 | | .XXXX | ±.0005 | FMF |
| NO. | REVISION | BY & DATE | CHK | ANG | ±7'30" | FINISH | PREV |
| THIS DRAWING IN DESIGN AND DETAIL IS OUR PROPERTY AND MUST NOT BE USED EXCEPT IN CONNECTION WITH OUR WORK ALL RIGHTS OF DESIGN AND INVENTION ARE RESERVED THIS IS AN ELECTRONICALLY GENERATED DOCUMENT - DO NOT SCALE THIS PRINT | | | | RFP | CAD FILE 104189ge | | SIZE DRAWING NO. PAGE OF REV. |
| | | | | DIST | WP | B | 104189GE 4 |

EE7335

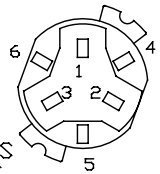
HIGH VOLTAGE CONNECTIONS



LOW VOLTAGE CONNECTIONS

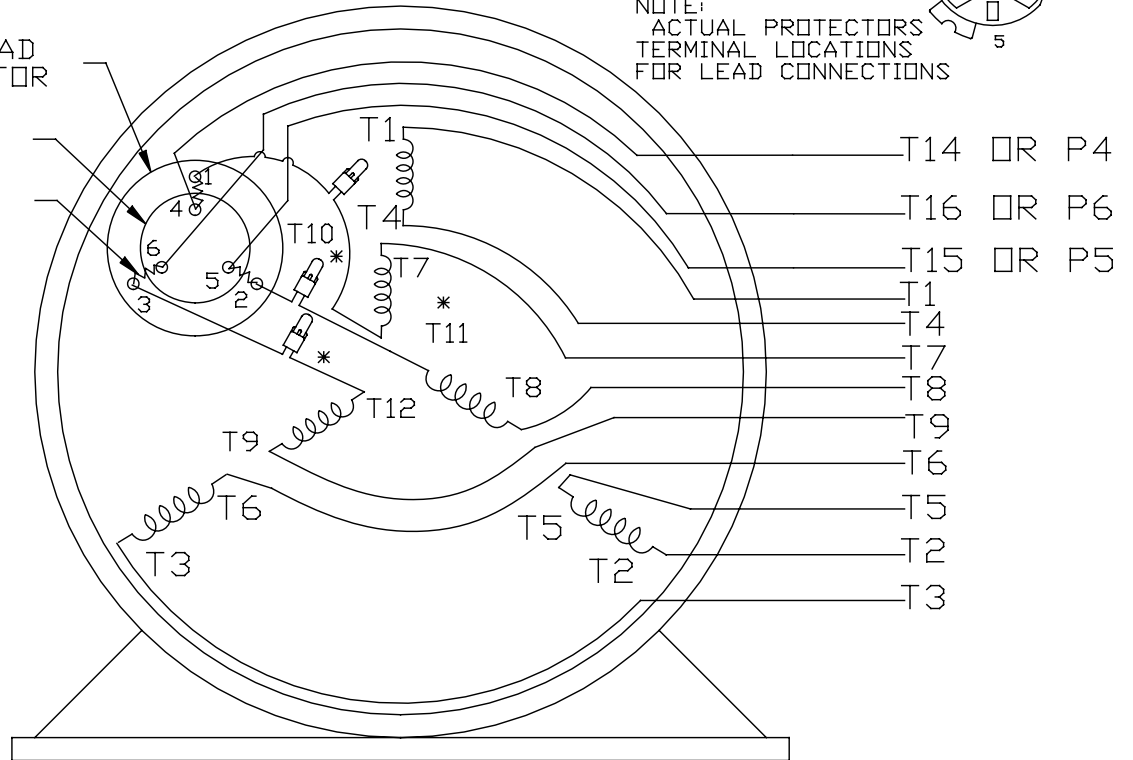


THREE PHASE - DUAL VOLTAGE MOTOR WITH OVERLOAD PROTECTOR



NOTE:
ACTUAL PROTECTORS
TERMINAL LOCATIONS
FOR LEAD CONNECTIONS

OVERLOAD
PROTECTOR
DISC
HEATER



VIEW OF TERMINAL END

* USE PRESSURE CONNECTORS FOR MT2 PLANT ONLY

| |
|------|
| T2K |
| T4D |
| T6AN |

| NO. | REVISION | BY & DATE | CHK | TOLERANCES UNLESS SPECIFIED | | FINISH | DRAWN | SCALE | REV. | |
|-----|-------------------------------------|--------------|-----|-----------------------------|--------|--|--------|------------|-------------|--|
| | | | | DEC. | INCHES | | | | | |
| 17 | CHANGED LOGO FROM MARATHON TO REGAL | KIR 02/16/16 | AB | DEC. | INCHES | REGAL™ Regal Beloit America, Inc. | KL | 08-09-1993 | | |
| 16 | PRESSURE CONNECTORS QUANTITY WAS 6 | PVR 10/29/13 | GR | .X | ±.1 | | CHK | ML | 08/10/1993 | |
| 15 | PRESSURE CONNECTORS ADDED | GR 03/04/13 | SR | .XX | ±.01 | | APPD | GK | 08/10/1993 | |
| 14 | ADDED ACTUAL PROECTOR VIEW CN 17481 | KL 05/18/94 | | .XXX | ±.005 | TITLE | | | | |
| 13 | REDRAWN IN AUTO CAD | KL 08/11/93 | | .XXXX | ±.0005 | CONNECTION DIAGRAM | | | | |
| | | | | | | 3Ø-DUAL VOLT WITH OVERLOAD PROTECTO | | | | |
| | | | | | | MAT'L. | | | | |
| | | | | | | FINISH | | | | |
| | | | | | | CAD FILE | EE7335 | SIZE | DRAWING NO. | |
| | | | | | | | | A | EE7335 | |
| | | | | | | | | | 17 | |

THIS DRAWING IN DESIGN AND DETAIL IS OUR PROPERTY AND MUST NOT BE USED EXCEPT IN CONNECTION WITH OUR WORK ALL RIGHTS OF DESIGN AND INVENTION ARE RESERVED THIS IS AN ELECTRONICALLY GENERATED DOCUMENT - DO NOT SCALE THIS PRINT

