

# PRODUCT INFORMATION PACKET

Model No: 056E17F1001  
Catalog No: Z602  
1/4, 1800, TEFC, 56C, DC/90  
SCR



Regal and Marathon are trademarks of Regal Beloit Corporation or one of its affiliated companies.  
©2020 Regal Beloit Corporation, All Rights Reserved. MC017097E





**Nameplate Specifications**

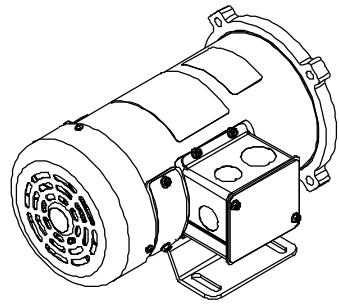
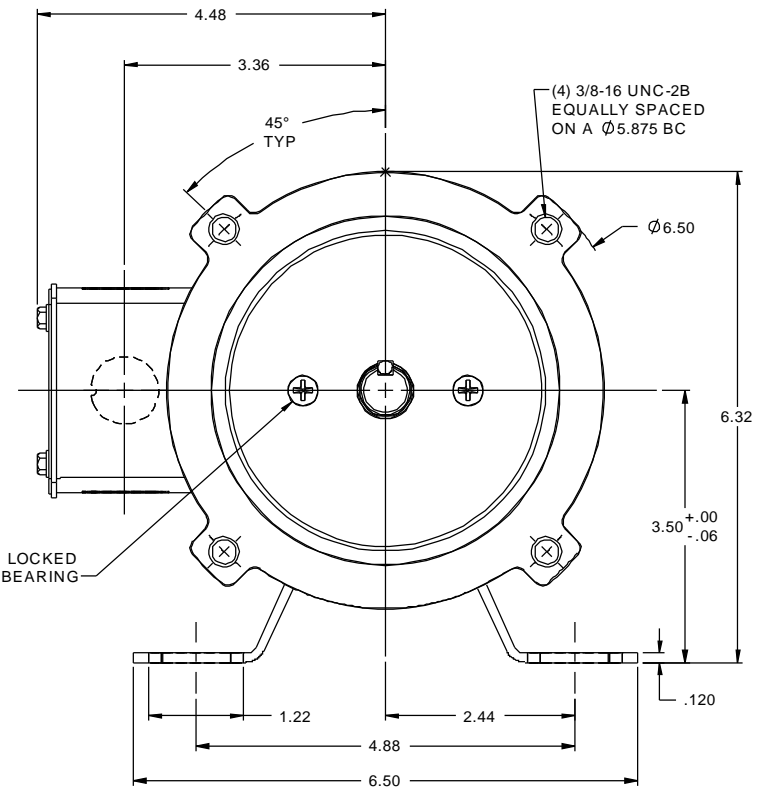
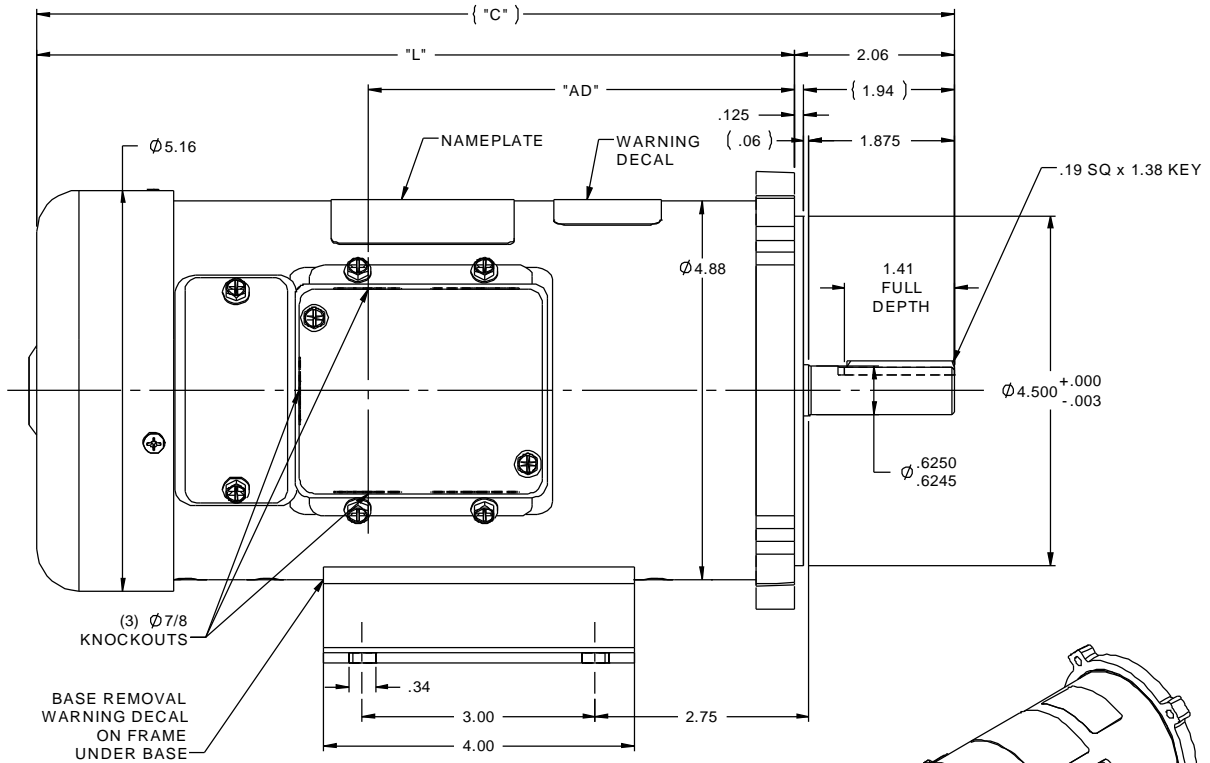
Output HP	<b>0.25 HP</b>	Output KW	<b>0.19 kW</b>
Voltage	<b>90 V</b>	Current	<b>2.5 A</b>
Speed	<b>1750 RPM</b>	Service Factor	<b>1</b>
Efficiency	<b>78.5 %</b>	Duty	<b>Continuous</b>
Insulation Class	<b>F</b>	Frame	<b>LSS56C</b>
Enclosure	<b>Totally Enclosed Fan Cooled</b>	Overload Protector	<b>No</b>
Ambient Temperature	<b>40 °C</b>	Drive End Bearing Size	<b>6203</b>
Opp Drive End Bearing Size	<b>6203</b>	UL	<b>Recognized</b>
CSA	<b>Y</b>	CE	<b>N</b>

**Technical Specifications**

Rotation	<b>Counterclockwise Lead End</b>	Mounting	<b>Rigid C base</b>
Overall Length	<b>10.81 in</b>	Frame Length	<b>6.50 in</b>
Shaft Diameter	<b>0.625 in</b>	Shaft Extension	<b>1.94 in</b>
Outline Drawing	<b>027811-650</b>	Connection Diagram	<b>00531901</b>

**This is an uncontrolled document once printed or downloaded and is subject to change without notice. Date Created: 08/06/2020**

RBC PROPRIETARY AND CONFIDENTIAL INFORMATION  
 This document is the property of REGAL BELOIT CORPORATION ("RBC") including its subsidiaries and divisions and contains proprietary information of RBC. This document is loaned on the express condition that neither it nor the information contained therein shall be disclosed to others without the express written consent of RBC, and that the information shall be used by the recipient only as approved expressly by RBC. This document shall be returned to RBC upon its request. This document may be subject to certain restrictions under U.S. export control laws and regulations.

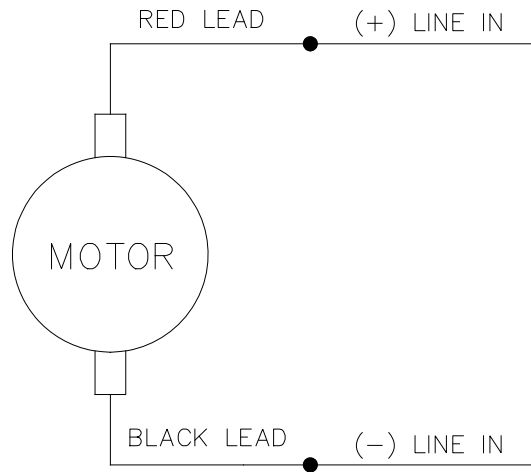


- NOTES:  
 1) MAXIMUM FACE RUNOUT .004 T.I.R.  
 2) MAXIMUM PILOT ECCENTRICITY .004 T.I.R.  
 3) PERMISSIBLE SHAFT RUNOUT .002 T.I.R.  
 4) GASKETS THROUGHOUT.


056E17F1008	13.81	11.75	7.49	180	3/4	1750
056E17F1007	13.81	11.75	7.49	90	3/4	1750
056E17F1006	11.81	9.75	5.49	180	1/2	1750
056E17F1005	11.81	9.75	5.49	90	1/2	1750
056E17F1004	11.31	9.25	4.99	180	1/3	1750
056E17F1003	11.31	9.25	4.99	90	1/3	1750
056E17F1002	11.31	9.25	4.99	180	1/4	1750
056E17F1001	10.81	8.75	4.49	90	1/4	1750
CATALOG No.	"C"	"L"	"AD"	VOLTS	H.P.	RPM

		TOLERANCES UNLESS SPECIFIED		DRAWN RPB 2/15/02	
		DEC INCHES		CHK	
		X ±.1		APPR	
03	REDRAWN IN SOLIDWORKS, UPDATED TABLE, PER 056E17F1004 PRODUCTION RELEASE (MU112258)	IPG 2/21/2013	XX ±.03	TITLE OUTLINE	SCALE 5:8
02	ADDED FAN GUARD HOLE PLUG, ISAAC 10-4174	IPG 10/11/10	XXX ±.005	42 FRAME DC - SS56C MOUNT	REF 027620
NO	REVISION	BY & DATE	CHK LANG ±1/2°	MATL	FMF 098303.00
THIRD ANGLE PROJECTION			RFP	FINISH	PAGE OF
			PREV	SIZE B	DRAWING NO 027811
			NETWORK FILE NAME 027811		REV 03

005319.01



CONNECTIONS SHOWN FOR CCW ROTATION FACING LEAD END OF THE MOTOR  
TO REVERSE ROTATION INTERCHANGE LINE LEADS

				TOLERANCES UNLESS SPECIFIED		 ELECTRIC MOTORS GEARMOTORS AND DRIVES	DRAWN TJF 11/15/97				
				DEC.	INCHES		CHK				
				.X	±.1		APPD POW 11/15/97				
E	"MOTOR" WAS "ARMATURE", ECO-0163602	IPG	3/14/19	.XX	±.01	TITLE	EXTERNAL WIRING DIAGRAM		SCALE	1=2	
D	UPDATED TO MAKE IT GENERIC, ECO-0163547	IPG	3/13/19	.XXX	±.005		PMDc MOTOR		REF		
01	REDRAWN ON CAD. REVISED NOTES.	SJB	9/20/2005	.XXXX	±.0005	MAT'L.			FMF		
NO.	REVISION	BY & DATE	CHK	ANG	±1/2'	FINISH			PREV		
THIS DRAWING IN DESIGN AND DETAIL IS OUR PROPERTY AND MUST NOT BE USED EXCEPT IN CONNECTION WITH OUR WORK ALL RIGHTS OF DESIGN AND INVENTION ARE RESERVED THIS IS AN ELECTRONICALLY GENERATED DOCUMENT – DO NOT SCALE THIS PRINT				RFP	CAD FILE		00531901	SIZE	DRAWING NO.		REV.
				DIST			A	005319.01		E	