

PRODUCT INFORMATION PACKET

Model No: 056B34D5319

Catalog No: G272

2 HP General Purpose Motor, 1 phase, 3600 RPM, 115/208-230 V, 56C Frame, ODP
Single Phase ODP Motors



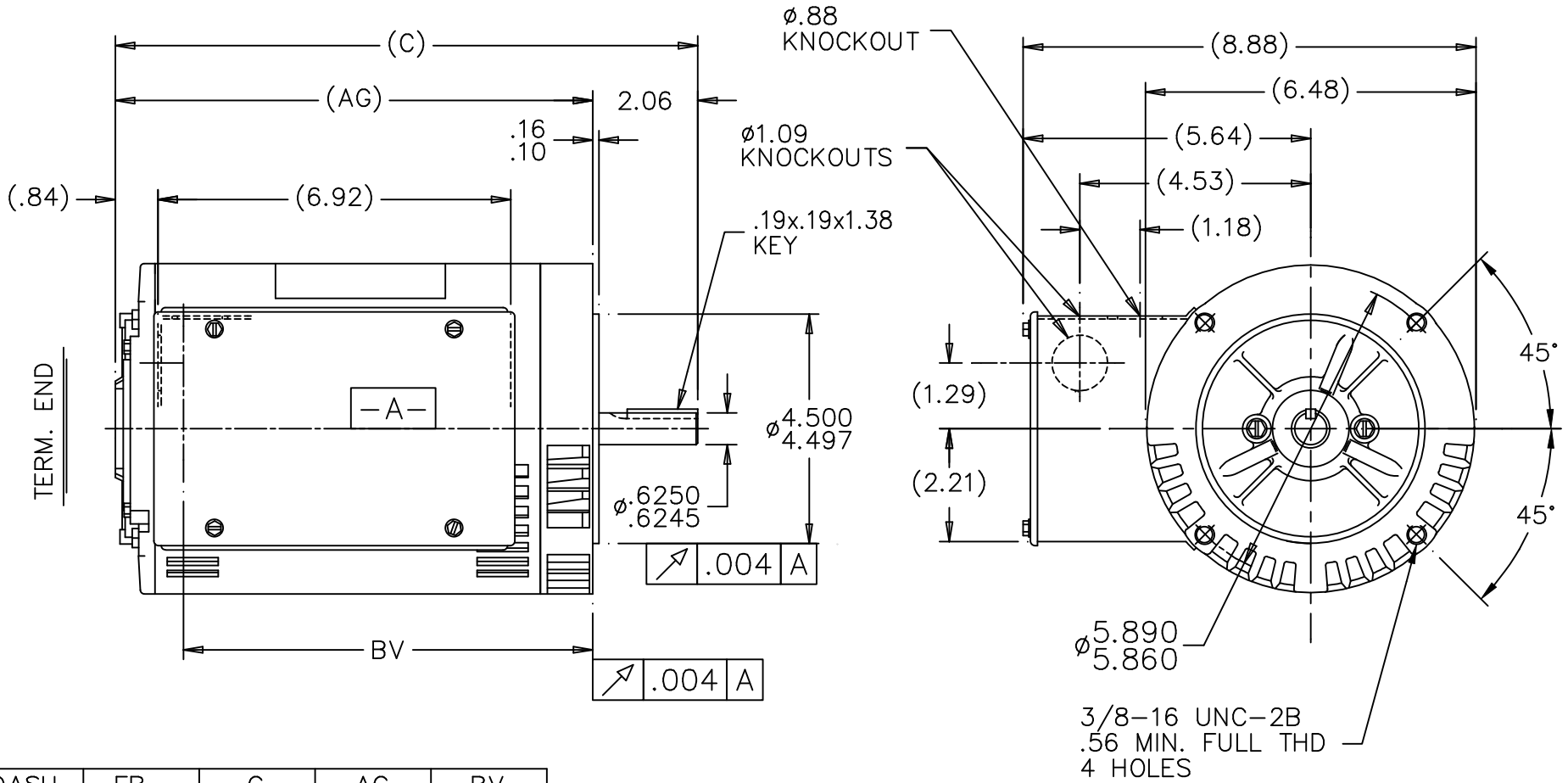
Nameplate Specifications

Output HP	2 Hp	Output KW	1.5 kW
Frequency	60 Hz	Voltage	115/208-230 V
Current	19.2/10.5-9.6 A	Speed	3450 rpm
Service Factor	1.15	Phase	1
Efficiency	78.5 %	Power Factor	86.5
Duty	Continuous	Insulation Class	B
Design Code	N	KVA Code	H
Frame	56C	Enclosure	Drip Proof
Thermal Protection	No	Ambient Temperature	40 °C
Drive End Bearing Size	6203	Opp Drive End Bearing Size	6203
UL	Recognized	CSA	Y
CE	N	IP Code	22

Technical Specifications

Electrical Type	Capacitor Start Capacitor Run	Starting Method	Across The Line
Poles	2	Rotation	Selective Counterclockwise
Resistance Main	0 Ohms	Mounting	Round
Motor Orientation	HORIZONTAL	Drive End Bearing	BALL
Opp Drive End Bearing	BALL	Frame Material	Rolled Steel
Shaft Type	T	Overall Length	11.44 in
Frame Length	7.56 in	Shaft Diameter	0.625 in
Shaft Extension	2.06 in	Assembly/Box Mounting	F1 ONLY

This is an uncontrolled document once printed or downloaded and is subject to change without notice. Date Created:01/11/2019

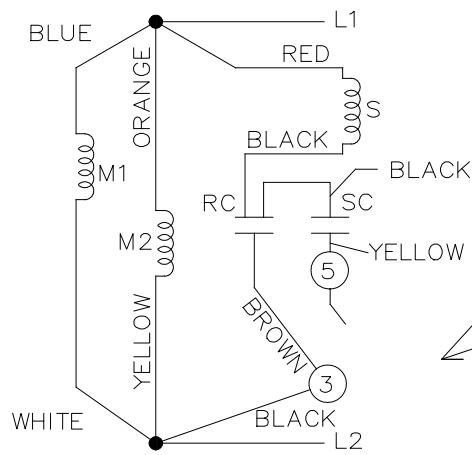


DASH	FR.	C	AG	BV
756	56-75	11.44	9.37	7.70
806	56-80	11.94	9.87	8.20
956	56-95	13.44	11.37	9.70

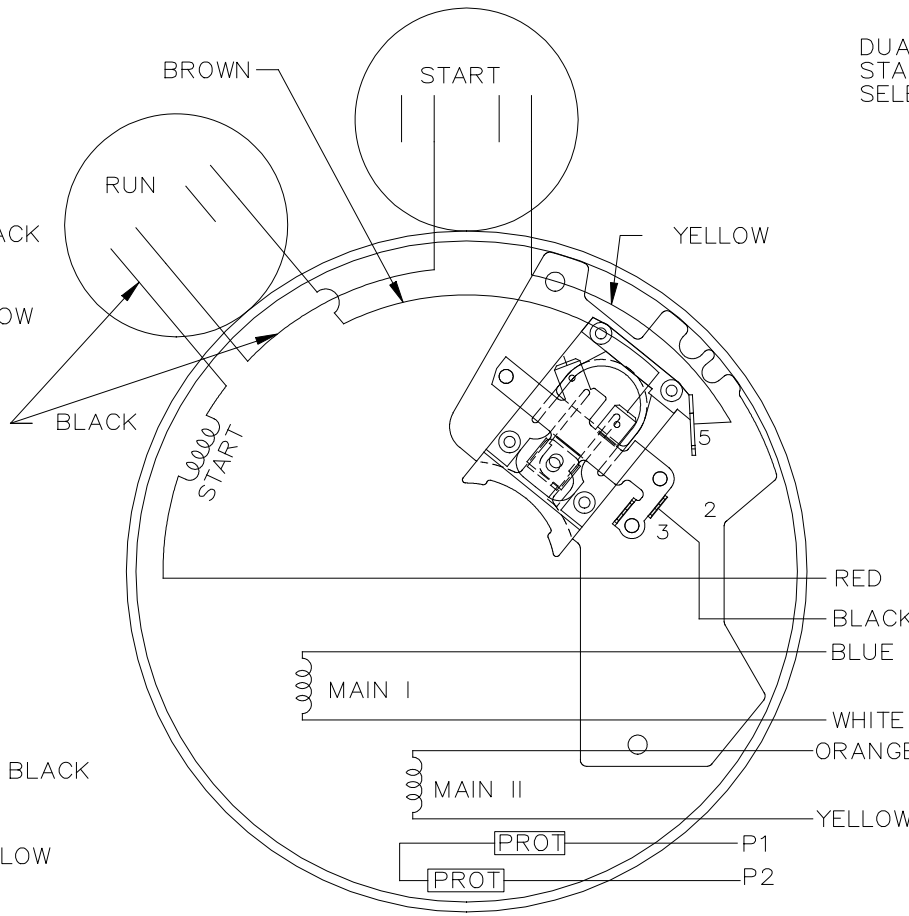
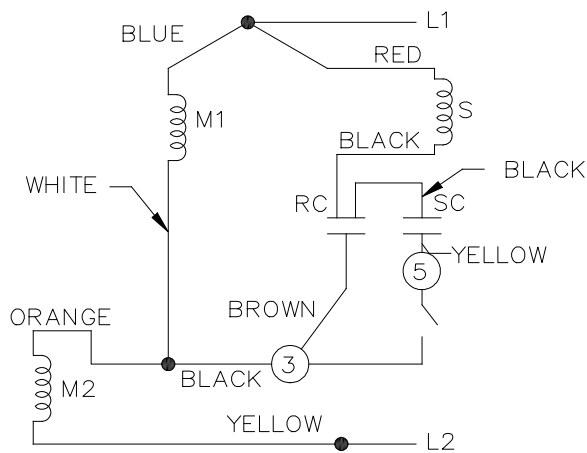
NOTES:
1. NAMEPLATE TO BE READ FROM CONDUIT BOX SIDE OF MOTOR.

				TOLERANCES UNLESS SPECIFIED		MARATHON ELECTRIC	DRAWN MRB 03-26-1998					
				DEC.	INCHES		CHK	ML	03-30-0998			
				.X	±.1	TITLE OUTLINE 56 FR. - DR.PR. - C'FACE	APPD GK 03-30-1998					
				.XX	±.03		SCALE 5=16					
4	REDRAWN IN AUTOCAD, ADDED DASH 806			HLB	06/13/2002	ET	.XXX	±.005	REF			
3	REDRAWN ON CADD - NO CHANGES			MRB	03/30/1998		.XXXX	±.0005	FMF			
NO.	REVISION			BY & DATE	CHK	ANG	±7'30"		PREV			
THIS DRAWING IN DESIGN AND DETAIL IS OUR PROPERTY AND MUST NOT BE USED EXCEPT IN CONNECTION WITH OUR WORK ALL RIGHTS OF DESIGN AND INVENTION ARE RESERVED THIS IS AN ELECTRONICALLY GENERATED DOCUMENT - DO NOT SCALE THIS PRINT				RFP	CAD FILE 100102			SIZE	DRAWING NO.	PAGE	OF	REV.
				DIST	WP			A	100102			4

LOW VOLTAGE C.C.W.

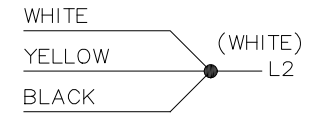
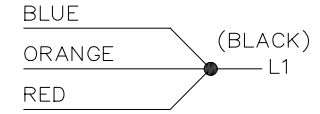


HIGH VOLTAGE C.C.W.

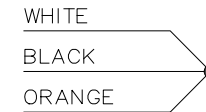
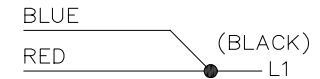


DUAL VOLTAGE CAPACITOR
START-CAP RUN NO OVERLOAD
SELECT ROTATION

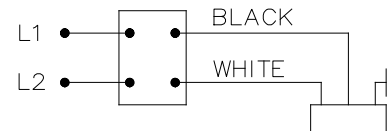
LOW VOLTAGE C.C.W. ROTATION




HIGH VOLTAGE C.C.W. ROTATION



FOR C.W. ROTATION,
EITHER VOLTAGE,
INTERCHANGE RED
WITH BLACK LEAD



CORD CONN. WHEN SPECIFIED

				TOLERANCES UNLESS SPECIFIED		 Regal Beloit America, Inc.	DRAWN SG 05/14/19		
				DEC.	INCHES		CHK CD 05/14/19		
				.X	±.1		APPD CD 05/14/19		
				.XX	±.02		SCALE 1:1		
				.XXX	±.005		REF 102006-51		
01	CONVERTED TO DWG FILE	SG 05/14/19	CD	.XXXX	±.0005	MAT'L.	FMF	PR141156	
NO.	REVISION	BY & DATE	CHK	ANG	±7'30"	FINISH	PREV		
THIS DRAWING IN DESIGN AND DETAIL IS OUR PROPERTY AND MUST NOT BE USED EXCEPT IN CONNECTION WITH OUR WORK ALL RIGHTS OF DESIGN AND INVENTION ARE RESERVED THIS IS AN ELECTRONICALLY GENERATED DOCUMENT - DO NOT SCALE THIS PRINT						RFP	CAD FILE	102006-51	
						DIST	WP		
						SIZE	DRAWING NO.	PAGE OF	REV.
						A	102006-51		01