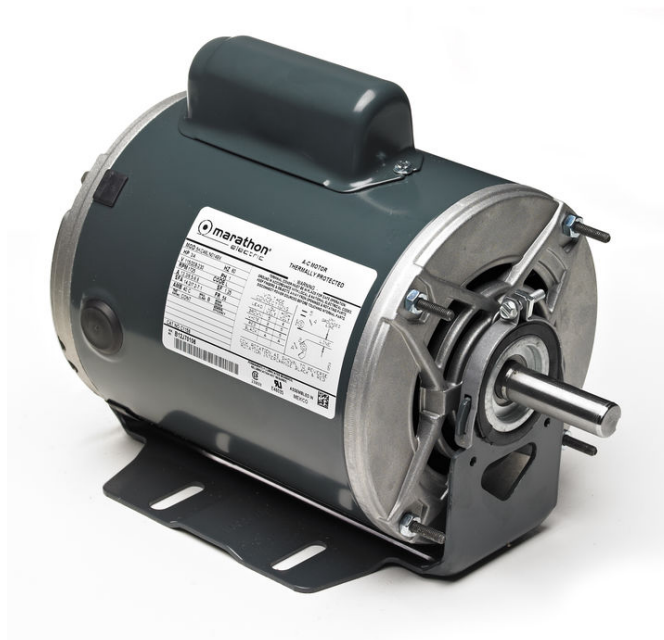


# PRODUCT INFORMATION PACKET

Model No: 056B34D5320  
Catalog No: K152  
2,3450,DP,56H,1/60/115/208-230  
Open Drip Proof (ODP)



Regal and Marathon are trademarks of Regal Beloit Corporation or one of its affiliated companies.

©2018 Regal Beloit Corporation, All Rights Reserved. MC017097E



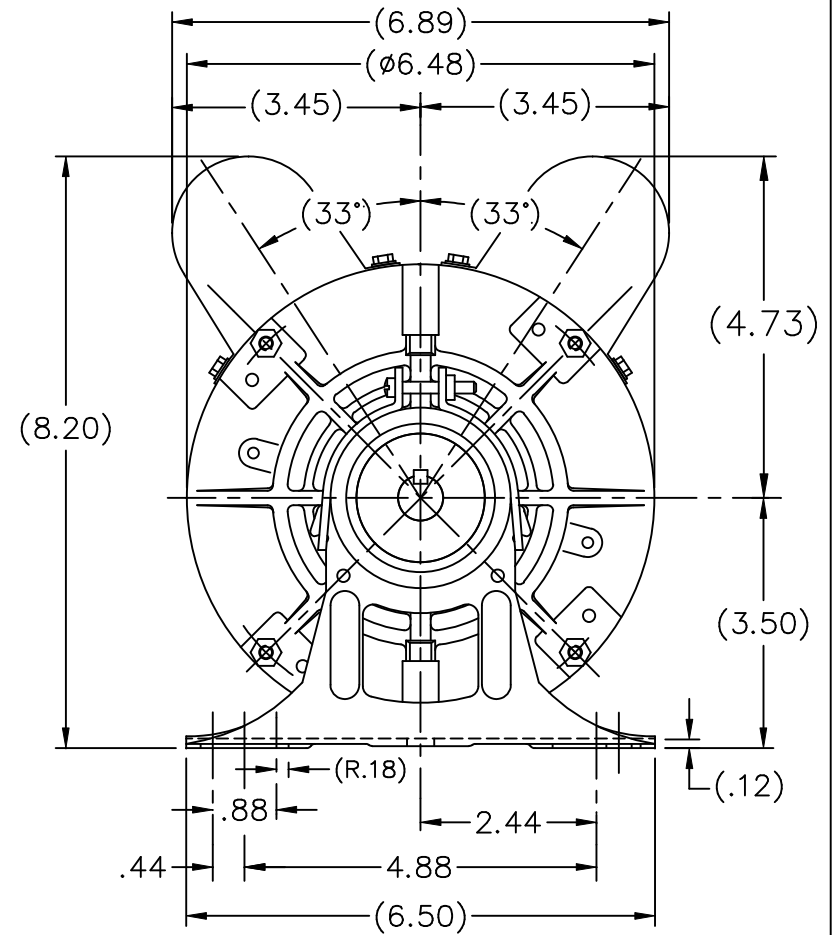
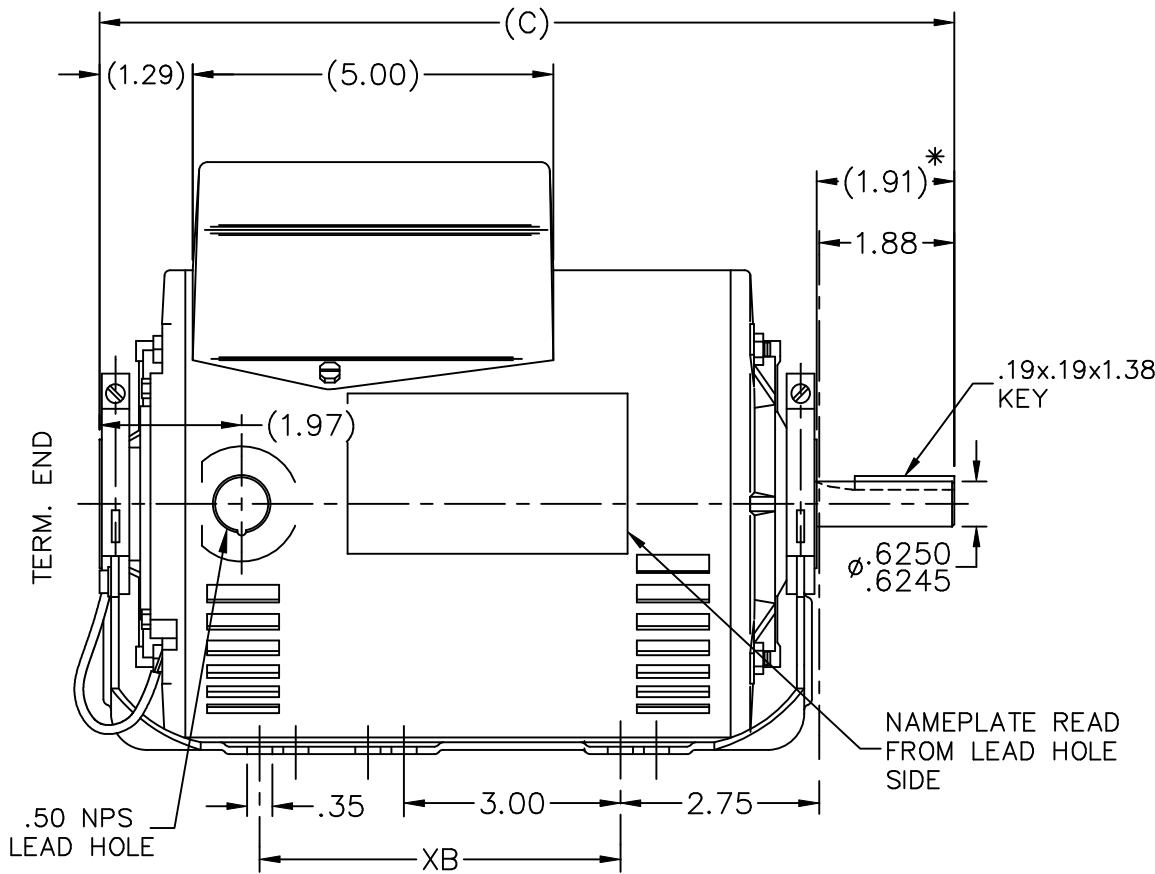
### Nameplate Specifications

|                            |                        |                        |                                    |
|----------------------------|------------------------|------------------------|------------------------------------|
| Output HP                  | <b>2 Hp</b>            | Output KW              | <b>1.5 kW</b>                      |
| Frequency                  | <b>60 Hz</b>           | Voltage                | <b>115/208-230 V</b>               |
| Current                    | <b>19.1/10.6-9.5 A</b> | Speed                  | <b>3450 rpm</b>                    |
| Service Factor             | <b>1.15</b>            | Phase                  | <b>1</b>                           |
| Efficiency                 | <b>78.5 %</b>          | Duty                   | <b>Continuous</b>                  |
| Insulation Class           | <b>B</b>               | Design Code            | <b>NO DESIGN CODE</b>              |
| KVA Code                   | <b>H</b>               | Frame                  | <b>56H</b>                         |
| Enclosure                  | <b>Drip Proof</b>      | Overload Protector     | <b>Automatic</b>                   |
| Ambient Temperature        | <b>40 °C</b>           | Drive End Bearing Size | <b>6203</b>                        |
| Opp Drive End Bearing Size | <b>6203</b>            | UL                     | <b>Recognized ( Not Protector)</b> |
| CSA                        | <b>Y</b>               | CE                     | <b>N</b>                           |
| IP Code                    | <b>22</b>              |                        |                                    |

### Technical Specifications

|                       |                                      |                       |                                   |
|-----------------------|--------------------------------------|-----------------------|-----------------------------------|
| Electrical Type       | <b>Capacitor Start Capacitor Run</b> | Starting Method       | <b>Across The Line</b>            |
| Poles                 | <b>2</b>                             | Rotation              | <b>Selective Counterclockwise</b> |
| Mounting              | <b>Resilient Base</b>                | Motor Orientation     | <b>Horizontal</b>                 |
| Drive End Bearing     | <b>Ball</b>                          | Opp Drive End Bearing | <b>Ball</b>                       |
| Frame Material        | <b>Rolled Steel</b>                  | Shaft Type            | <b>NEMA 56</b>                    |
| Overall Length        | <b>11.85 in</b>                      | Frame Length          | <b>7.56 in</b>                    |
| Shaft Diameter        | <b>0.625 in</b>                      | Shaft Extension       | <b>1.91 in</b>                    |
| Assembly/Box Mounting | <b>F1 Only</b>                       |                       |                                   |
| Outline Drawing       | <b>A-100217-756</b>                  | Connection Diagram    | <b>102006-2</b>                   |

This is an uncontrolled document once printed or downloaded and is subject to change without notice. Date Created: 06/29/2018



\* DIMENSION IS FROM RESILIENT RING END CAP TO END OF SHAFT

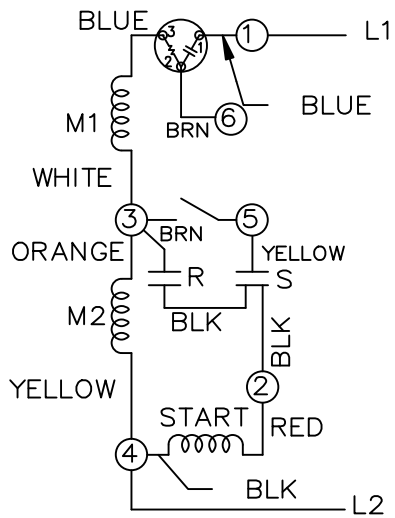
NOTES:  
1. MOTOR MUST BE ROTATED TO PROVIDE SOCKET CLEARANCE FOR GROUND SCREW, MAXIMUM (10 DEGREES).

| DASH | FRAME | C     | XB   | DASH | FRAME | C     | XB   |
|------|-------|-------|------|------|-------|-------|------|
|      |       |       |      | 856  | "-85  | 12.85 | 5.00 |
| 706  | 56-70 | 11.35 | 0    | 906  | "-90  | 13.35 | 5.00 |
| 756  | "-75  | 11.85 | 5.00 | 956  | "-95  | 13.85 | 5.00 |

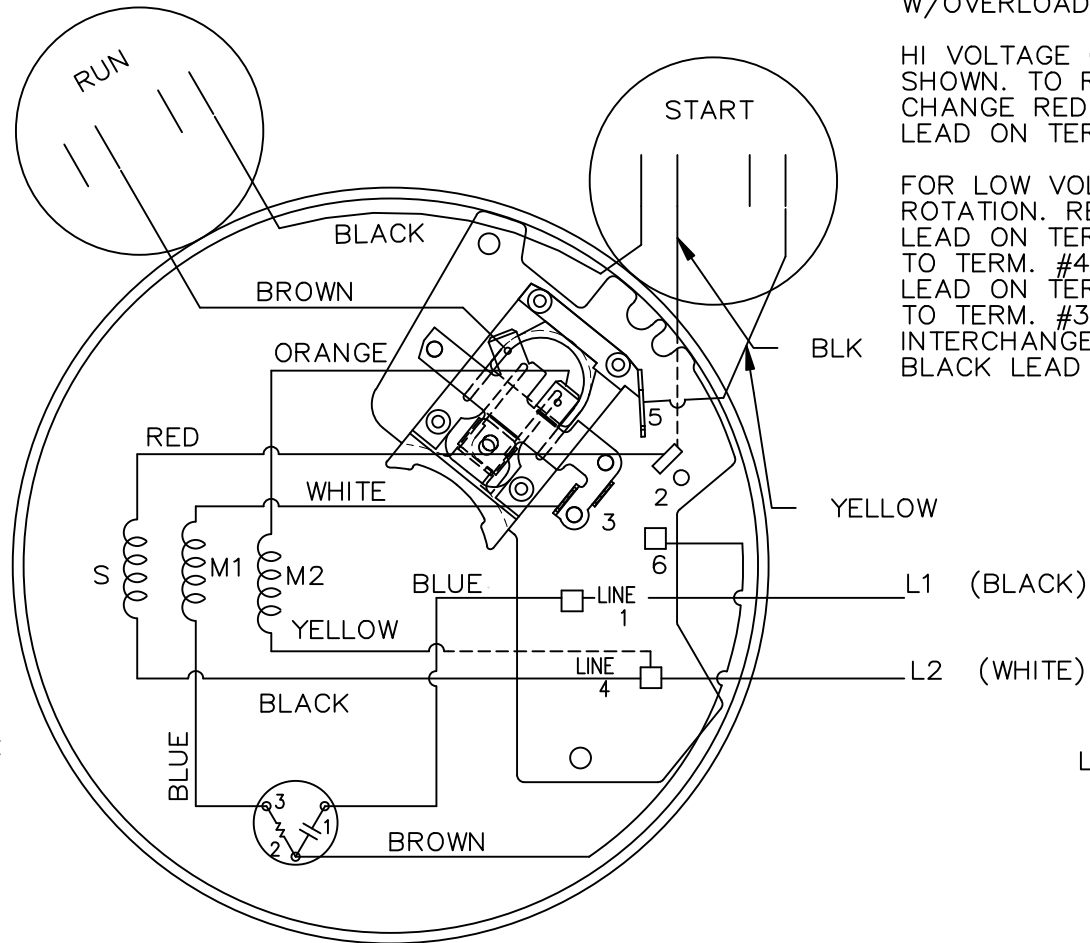
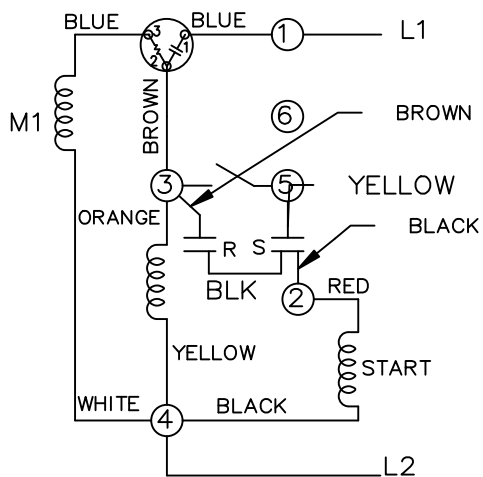
| NO. | REVISION                         | BY & DATE               | CHK | TOLERANCES UNLESS SPECIFIED |        |
|-----|----------------------------------|-------------------------|-----|-----------------------------|--------|
|     |                                  |                         |     | DEC.                        | INCHES |
| 6   | REDRAWN IN AUTOCAD               | TAT 09-01-2004          | ML  | .XX                         | ±.03   |
| 5   | ADDED NOTE                       | CN 24378 PGK 06-11-1997 |     | .XXX                        | ±.005  |
| 4   | REDRAWN ON CADD & ADDED DASH 856 | 4132393 DD 03-16-1994   |     | .XXXX                       | ±.0005 |
|     |                                  |                         |     | ANG                         | ±7'30" |

|   |                     |                     |
|---|---------------------|---------------------|
|   | DRAWN DD 03-10-1994 |                     |
|   | CHK ML 03-11-1994   | APPD SAT 03-11-1994 |
| TITLE OUTLINE                           | SCALE 3=8           |                     |
| 56 FR. - BB - DR.PR. - RESIL. BASE - 1ø | REF                 |                     |
| MAT'L.                                  | FMF                 |                     |
| FINISH                                  | PREV                |                     |
| RFP                                     | CAD FILE 100217     | SIZE A              |
| DIST WP                                 | DRAWING NO. 100217  | PAGE OF 6           |
|   |                     | REV. 6              |

HIGH VOLTAGE C.C.W.



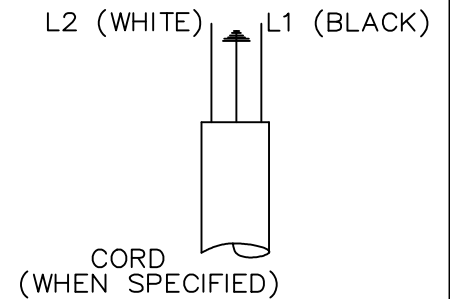
LOW VOLTAGE C.C.W.



DUAL VOLTAGE CAPACITOR  
START, CAPACITOR RUN  
W/OVERLOAD AND SELECT ROTATION

HI VOLTAGE C.C.W. ROTATION  
SHOWN. TO REVERSE INTER-  
CHANGE RED WITH BLACK  
LEAD ON TERMS. 2 & 4.

FOR LOW VOLTAGE C.C.W.  
ROTATION. REMOVE WHITE  
LEAD ON TERM. #3 & ATTACH  
TO TERM. #4. REMOVE BROWN  
LEAD ON TERM. #6 ATTACH  
TO TERM. #3. TO REVERSE  
INTERCHANGE RED WITH  
BLACK LEAD ON TERMS. 2 & 4.



|  |                       |           |            | TOLERANCES UNLESS SPECIFIED |                   | MARATHON ELECTRIC        | DRAWN PGK 08-26-1996 |                     |      |
|--|-----------------------|-----------|------------|-----------------------------|-------------------|--------------------------|----------------------|---------------------|------|
|  |                       |           |            | DEC.                        | INCHES            |                          | CHK                  | ML 09-05-1996       |      |
|  |                       |           |            | .X                          | ±.1               | TITLE CONNECTION DIAGRAM | APPD                 | GK 09-05-1996       |      |
|  |                       |           |            | .XX                         | ±.02              |                          | SCALE                | 5=8                 |      |
| 7  | UPDATED PER IS11-3490 | PN        | 8/31/2011  | VC                          | .XXX ±.005        |                          | REF                  |                     |      |
| 6  | REDRAWN ON CADD       | PGK       | 09-05-1996 |                             | .XXXX ±.0005      | MAT'L.                   | FMF                  |                     |      |
| NO.  | REVISION              | BY & DATE |            | CHK                         | ANG ±7'30"        | FINISH                   | PREV                 |                     |      |
| THIS DRAWING IN DESIGN AND DETAIL IS OUR PROPERTY AND MUST NOT BE USED EXCEPT IN CONNECTION WITH OUR WORK ALL RIGHTS OF DESIGN AND INVENTION ARE RESERVED THIS IS AN ELECTRONICALLY GENERATED DOCUMENT - DO NOT SCALE THIS PRINT |                       |           |            | RFP                         | CAD FILE 102006_3 |                          | SIZE                 | DRAWING NO. PAGE OF | REV. |
|  |                       |           |            | DIST                        | WP                |                          | A                    | 102006-2            | 7    |

