

PRODUCT INFORMATION PACKET

Model No: 056B34D5336
Catalog No: K219
3,3450,DP,56HC,1/60/208-230
Pressure Washers



Regal and Marathon are trademarks of Regal Beloit Corporation or one of its affiliated companies.

©2018 Regal Beloit Corporation, All Rights Reserved. MC017097E





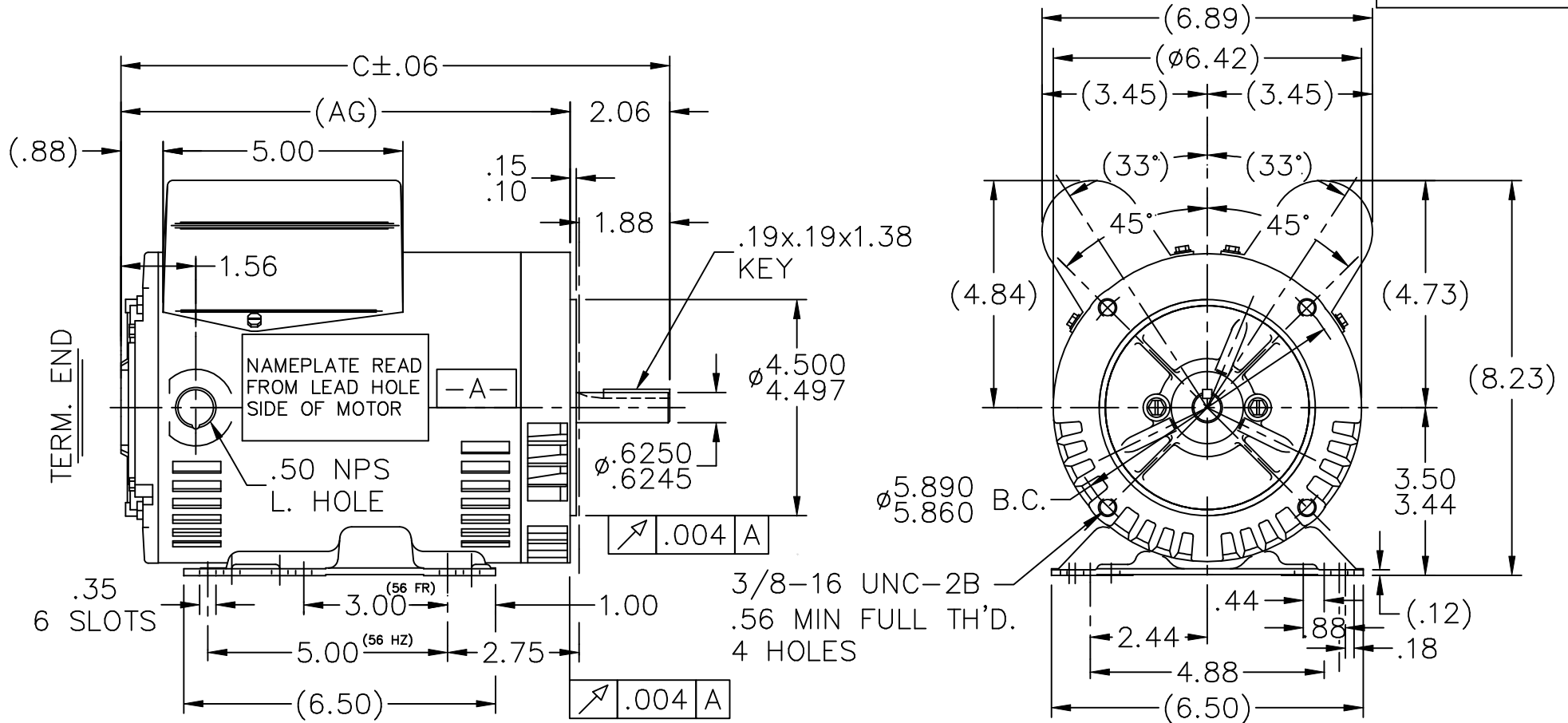
Nameplate Specifications

Output HP	3 Hp	Output KW	2.2 kW
Frequency	60 Hz	Voltage	208-230 V
Current	14.2-12.5 A	Speed	3450 rpm
Service Factor	1.15	Phase	1
Efficiency	82.5 %	Duty	Continuous
Insulation Class	B	Design Code	L
KVA Code	H	Frame	56HC
Enclosure	Drip Proof	Overload Protector	Manual
Ambient Temperature	40 °C	Drive End Bearing Size	6205
Opp Drive End Bearing Size	6203	UL	Recognized (Not Protector)
CSA	Y	CE	N
IP Code	22		

Technical Specifications

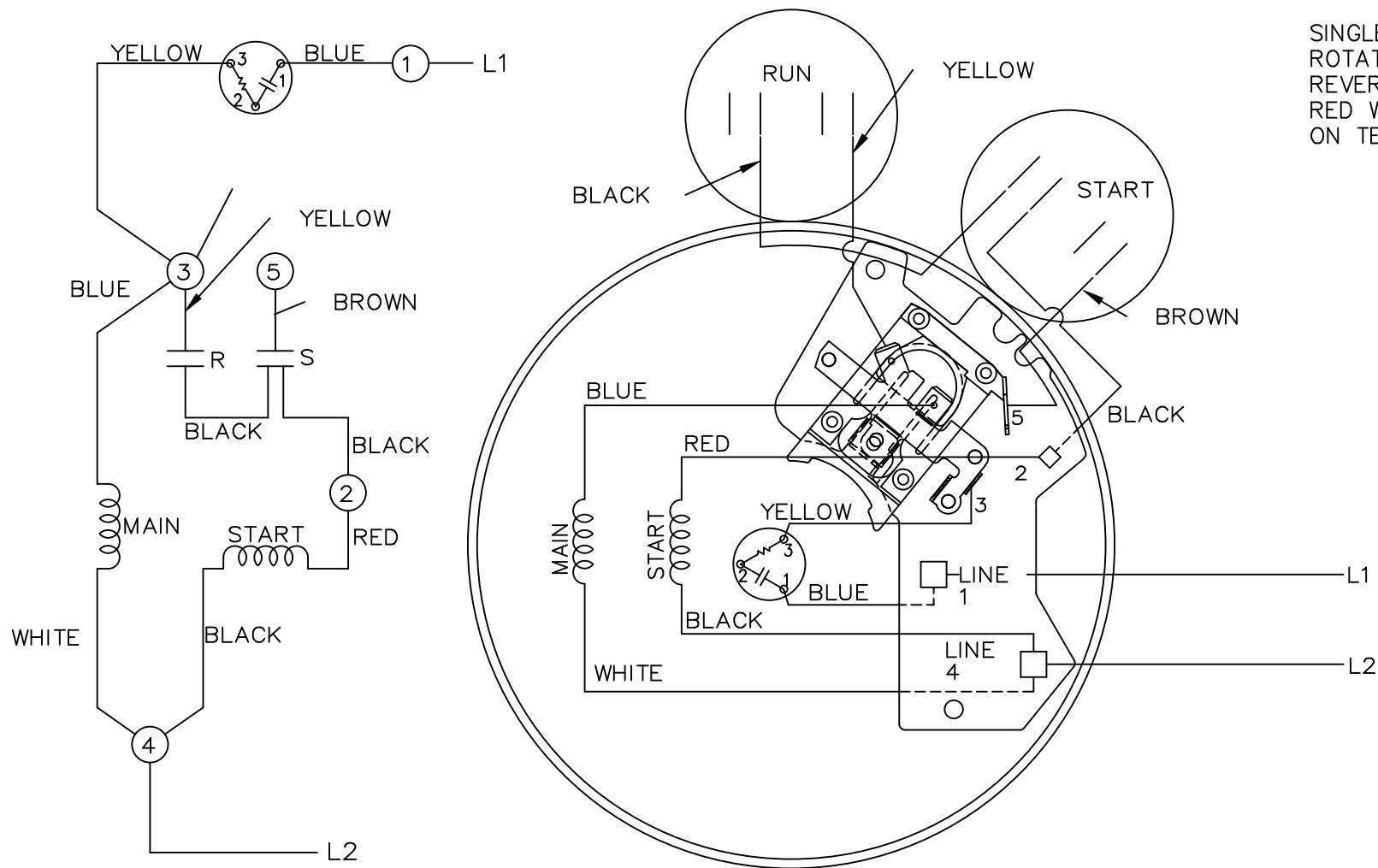
Electrical Type	Capacitor Start Capacitor Run	Starting Method	Across The Line
Poles	2	Rotation	Selective Counterclockwise
Mounting	Rigid base	Motor Orientation	Horizontal
Drive End Bearing	Ball	Opp Drive End Bearing	Ball
Frame Material	Rolled Steel	Shaft Type	T
Overall Length	12.44 in	Frame Length	8.56 in
Shaft Diameter	0.625 in	Shaft Extension	2.06 in
Assembly/Box Mounting	F1 Only		
Outline Drawing	A-100168-856	Connection Diagram	102006-23

This is an uncontrolled document once printed or downloaded and is subject to change without notice. Date Created: 06/29/2018



DASH	FR.	C	AG	DASH	FR.	C	AG
				806	56-80	11.94	9.87
656	56-65	10.44	8.37	856	"-85	12.44	10.37
706	"-70	10.94	8.87	906	"-90	12.94	10.87
756	"-75	11.44	9.37				

				TOLERANCES UNLESS SPECIFIED			DRAWN RM 05-10-1991			
				DEC.	INCHES		CHK ML 05-13-1991			
				.X	±.1		APPD GK 05-13-1991			
6	UPDATED DRAWING			RJW 03-28-2007	.XX	±.03	SCALE 5=16			
5	REDRAWN IN AUTOCAD			TAT 06-13-2005	ML	.XXX ±.005	REF			
4	REDRAWN ON CAD			RM 05-10-1991		.XXXX ±.0005	FMF			
NO.	REVISION			BY & DATE	CHK	ANG ±7'30"	PREV			
THIS DRAWING IN DESIGN AND DETAIL IS OUR PROPERTY AND MUST NOT BE USED EXCEPT IN CONNECTION WITH OUR WORK ALL RIGHTS OF DESIGN AND INVENTION ARE RESERVED THIS IS AN ELECTRONICALLY GENERATED DOCUMENT - DO NOT SCALE THIS PRINT				RFP	CAD FILE 100168		SIZE A	DRAWING NO. 100168	PAGE OF	REV. 6
				DIST WP						



SINGLE VOLTAGE C.C.W.
 ROTATION SHOWN TO
 REVERSE, INTERCHANGE
 RED WITH BLACK LEADS
 ON TERM. 2 AND

				TOLERANCES UNLESS SPECIFIED		MARATHON ELECTRIC	DRAWN CB 05-12-1996			
				DEC.	INCHES		CHK ML 05-15-1996			
				.X	±.1	TITLE CONNECTION DIAGRAM	APPD GK 05-15-1995			
				.XX	±.02		SCALE 5=8			
4	REVISED ROTATION NOTE	CN 46655	DRS 03-15-2007	ML	.XXX		±.005	REF		
3	REDRAWN ON CADD - REV. CAP. LEADS	CN 20775-105	CB 05-15-1995		.XXXX		±.0005	MAT'L.		
NO.	REVISION		BY & DATE	CHK	ANG	±7'30"	PREV			
THIS DRAWING IN DESIGN AND DETAIL IS OUR PROPERTY AND MUST NOT BE USED EXCEPT IN CONNECTION WITH OUR WORK ALL RIGHTS OF DESIGN AND INVENTION ARE RESERVED THIS IS AN ELECTRONICALLY GENERATED DOCUMENT - DO NOT SCALE THIS PRINT				RFP	CAD FILE 102006_23			SIZE	DRAWING NO. PAGE OF	REV.
				DIST	WP	A		102006-23	4	

