

PRODUCT INFORMATION PACKET

Model No: 056C11G5303

Catalog No: K033

0.25 HP Explosion Proof Motor, 1 phase, 1200 RPM, 115 V, 56 Frame, EPFC
Explosion Proof NEMA Motors





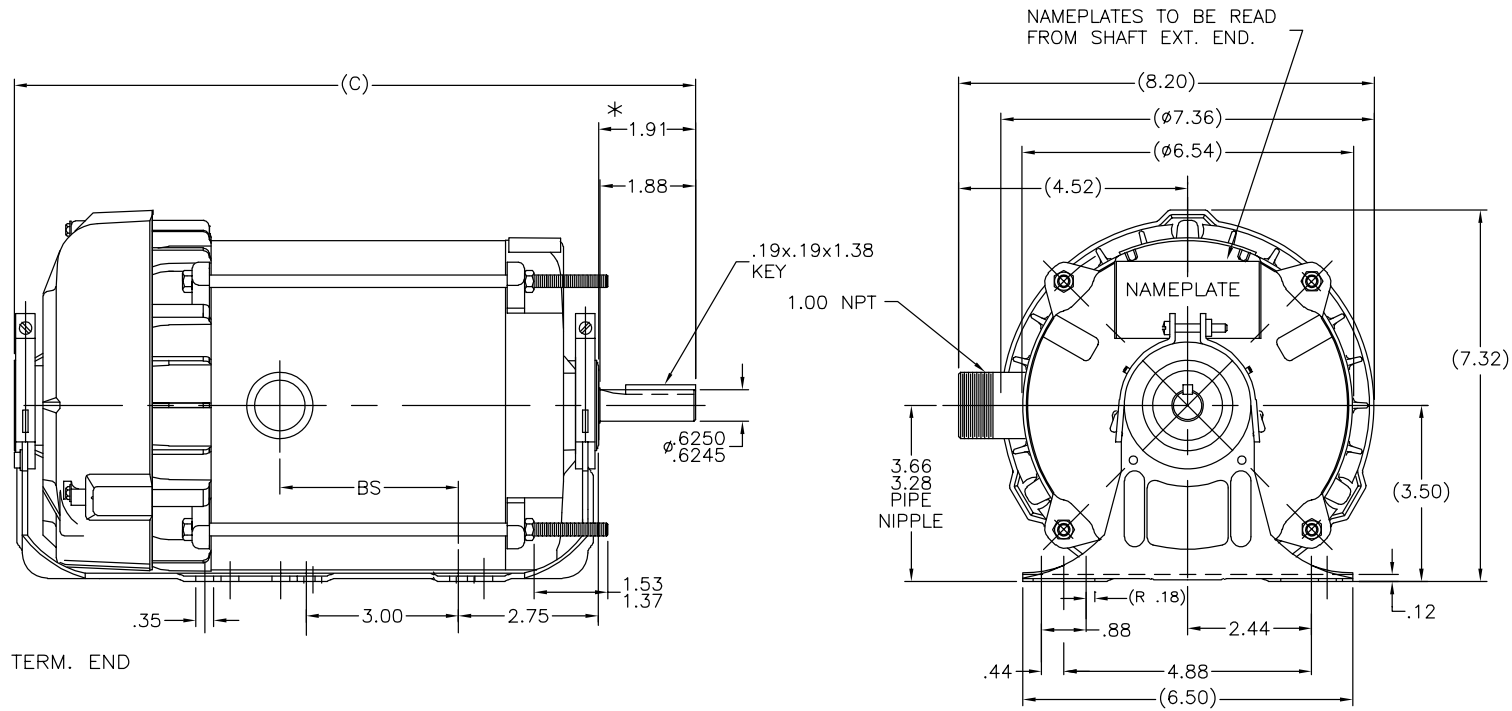
Nameplate Specifications

Output HP	0.25 Hp	Output KW	0.19 kW
Frequency	60 Hz	Voltage	115 V
Current	5.4 A	Speed	1140 rpm
Service Factor	1	Phase	1
Efficiency	47 %	Power Factor	63
Duty	Continuous	Insulation Class	B
Design Code	NO DESIGN CODE	KVA Code	K
Frame	56	Enclosure	Explosion Proof Fan cooled
Thermal Protection	Automatic	Ambient Temperature	40 °C
Drive End Bearing Size	6203	Opp Drive End Bearing Size	6203
UL	UL Listed And CSA Certified	CSA	Y
CE	N	IP Code	54
Hazardous Location	EXP PROOF CL I GR D CL II GR F&G T3B		

Technical Specifications

Electrical Type	Capacitor Start Induction Run	Starting Method	Across The Line
Poles	6	Rotation	Selective Counterclockwise
Resistance Main	0 Ohms	Mounting	Resilient Base - Extended Studs
Motor Orientation	Horizontal	Drive End Bearing	Ball
Opp Drive End Bearing	Ball	Frame Material	Rolled Steel
Shaft Type	NEMA 56	Overall Length	14.46 in
Frame Length	6.81 in	Shaft Diameter	0.625 in
Shaft Extension	1.91 in	Assembly/Box Mounting	F1 ONLY
Outline Drawing	B-104200-681	Connection Drawing	102005-95

104200



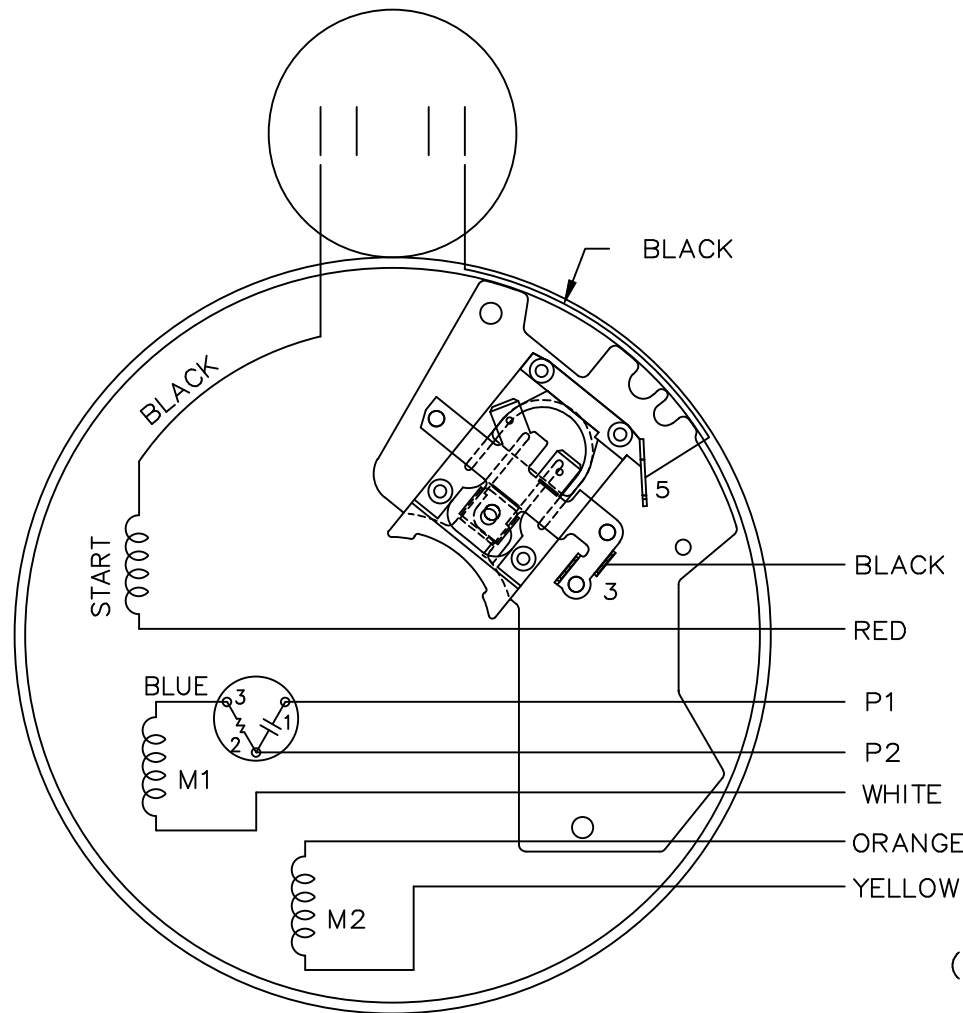
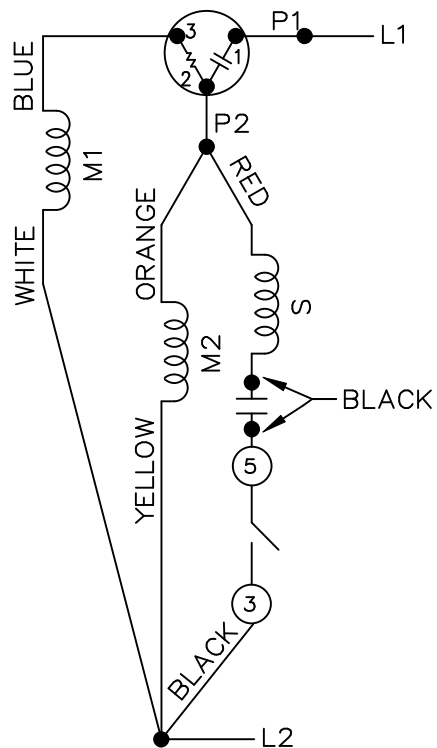
TERM. END

DASH	(C)	BS			
631	13.96	4.15			
681	14.46	4.65			
731	14.96	5.15			
781	15.46	5.65			
831	15.96	6.15			
881	16.46	6.65			
931	16.96	7.15			
981	17.46	7.65			

* DIM IS FROM RESIL RING
END CAP TO END OF SHAFT

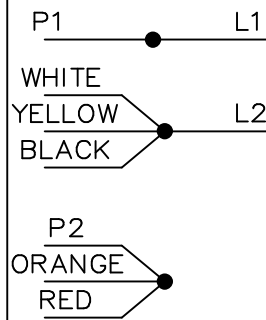
5	NOTE REMOVED PER ECO - 0045660	PVR 02/17/14	SM	TOLERANCES UNLESS SPECIFIED		DRAWN MH 12-05-1996	
4	REVISED STUD BOLT EXT. FROM 1.45" TO 1.53/1.37	NJS 11-05-2002	ML	DEC. INCHES		CHK ML 12-06-1996	
	CN 24300-473			X ±.1	APPD GK 12-06-1996	SCALE 1=2	
3	REVISED STUD BOLT EXT. FROM 1.54/1.74 TO 1.45"	NJS 11-14-2001		.XX ±.03	TITLE OUTLINE	REF	
	CN 29400-662			.XXX ±.005	56 FR. - EXP.PR. - TEFC - 1 ϕ & 3 ϕ	FMF	
2	ADDED NOTE	CN 2437@GK 06-09-1997		.XXXX ±.0005	MAT'L	PREV	
NO.	REVISION	BY & DATE	CHK	ANG ±7'30"	FINISH		
THIS DRAWING IN DESIGN AND DETAIL IS OUR PROPERTY AND MUST NOT BE USED EXCEPT IN CONNECTION WITH OUR WORK ALL RIGHTS OF DESIGN AND INVENTION ARE RESERVED THIS IS AN ELECTRONICALLY GENERATED DOCUMENT - DO NOT SCALE THIS PRINT						CAD FILE 104200	SIZE B
						DRAWING NO. 104200	PAGE OF 5
						REV. 5	

LOW VOLTAGE C.C.W.

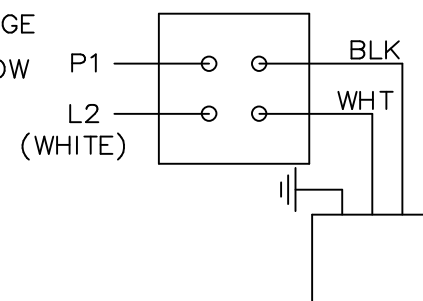


LOW VOLTAGE CAPACITOR START OVERLOAD SELECT ROT.

LOW VOLTAGE C.C.W. ROT.



FOR CW ROT. INTERCHANGE RED WITH BLACK LEAD



				TOLERANCES UNLESS SPECIFIED		MARATHON ELECTRIC	DRAWN KL 07-14-1994				
				DEC.	INCHES		CHK ML 07-15-1994				
				.X	±.1	TITLE CONNECTION DIAGRAM	APPD RJS 07-15-1994				
				.XX	±.02		SCALE 5=8				
2	ADDED CORD VIEW	4411638	DT 07-18-1996	.XXX	±.005		REF				
1	NEW DRAWING		KL 07-15-1994	.XXXX	±.0005		MAT'L.				
NO.	REVISION	BY & DATE	CHK	ANG	±7'30"	FINISH	PREV				
THIS DRAWING IN DESIGN AND DETAIL IS OUR PROPERTY AND MUST NOT BE USED EXCEPT IN CONNECTION WITH OUR WORK ALL RIGHTS OF DESIGN AND INVENTION ARE RESERVED THIS IS AN ELECTRONICALLY GENERATED DOCUMENT - DO NOT SCALE THIS PRINT				RFP	CAD FILE 102005-95		SIZE	DRAWING NO.	PAGE	OF	REV.
				DIST	WP	A		102005-95		2	

** Subject to change without notice.



MARATHON ELECTRIC CORPORATION
TYPICAL PERFORMANCE CURVE for AC MOTOR

Customer

Curve at

115 Volts
60 HZ
0.25 HP

HP 0.25

PHASE 1

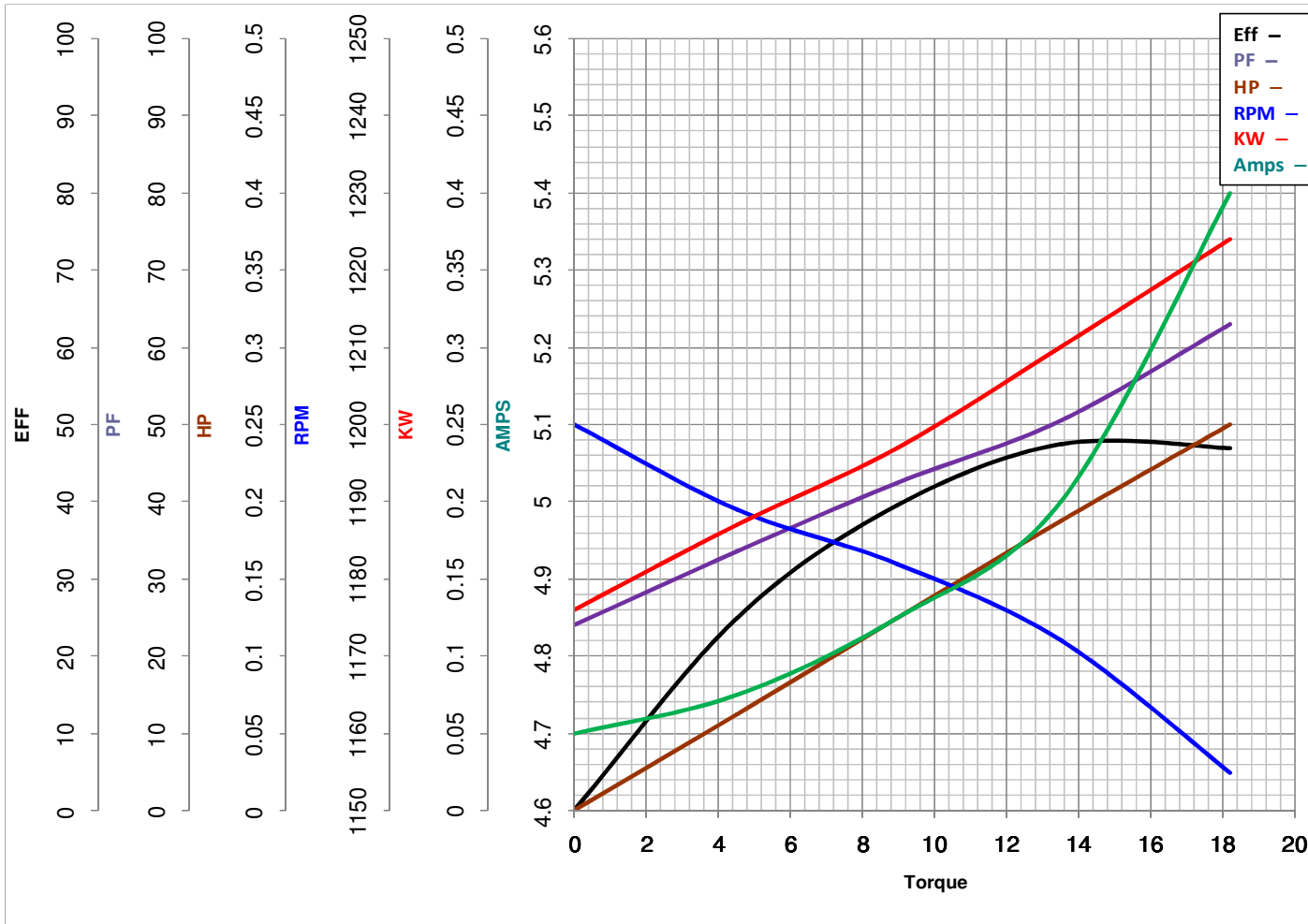
Model No 56C11G5303

VOLTS 115

Catalog No K033

HZ 60

RPM 1140



Torque in Oz.Ft

FL TORQUE 18.2 Oz.Ft
BD TORQUE 36.0 Oz.Ft
LR TORQUE 40.5 Oz.Ft

FL AMPS 5.4
PU TORQUE 26.5 Oz.Ft
LR AMPS 17.5

WINDING ZC628-3

Date 1/7/2019