

PRODUCT INFORMATION PACKET

marathon[®]
Motors

Model No: 056C17D2101
Catalog No: X601
1/3,1725,DP,56Z,1/60/115/230
Other Purpose



Regal and Marathon are trademarks of Regal Beloit Corporation or one of its affiliated companies.
©2018 Regal Beloit Corporation, All Rights Reserved. MC017097E

REGAL[®]

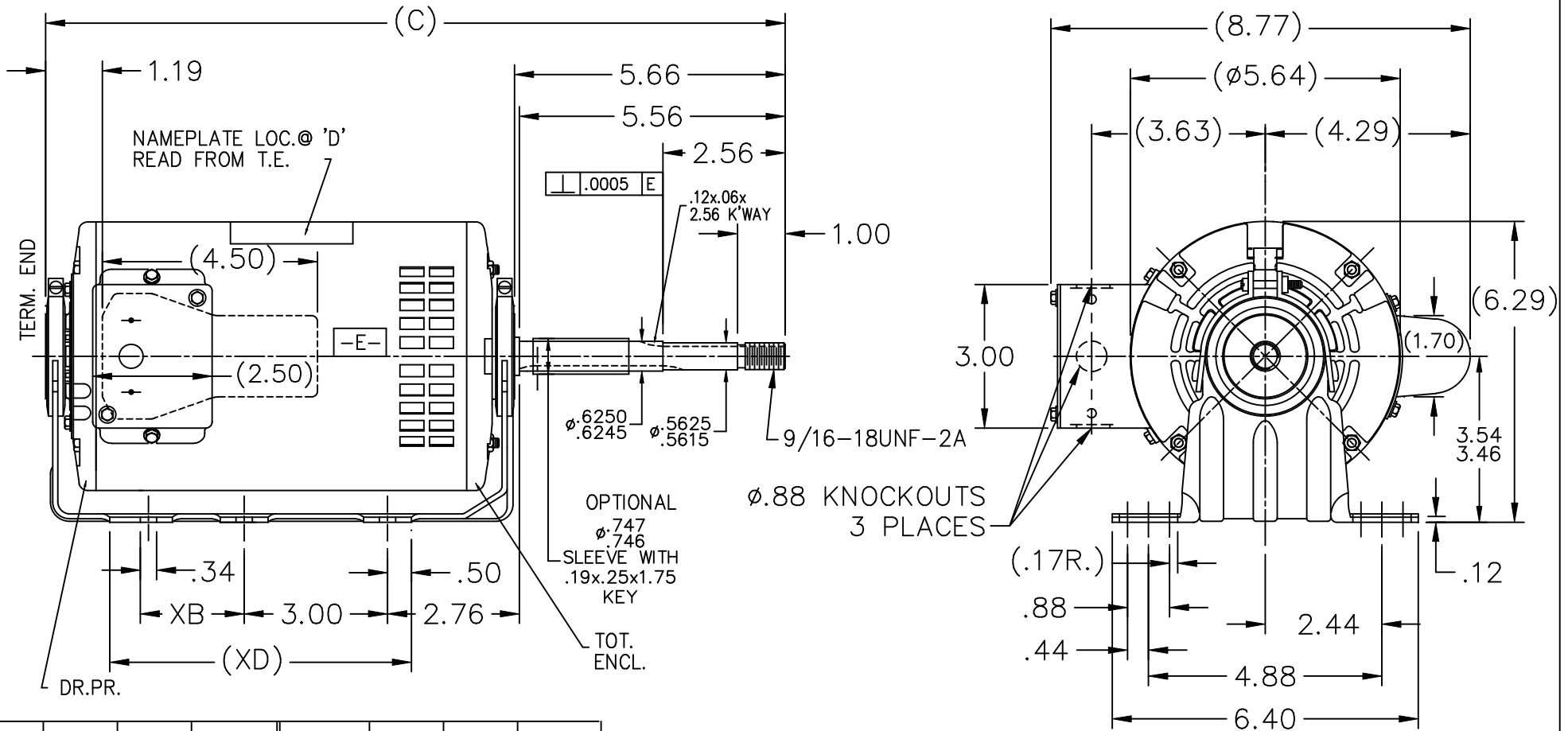


Nameplate Specifications

Output HP	0.33 Hp	Output KW	0.25 kW
Frequency	60 Hz	Voltage	115/208-230 V
Current	5.8/2.8-2.9 A	Speed	1725 rpm
Service Factor	1.35	Phase	1
Efficiency	62 %	Duty	Continuous
Insulation Class	B	Design Code	NO DESIGN CODE
KVA Code	K	Frame	56Z
Enclosure	Drip Proof	Overload Protector	Automatic
Ambient Temperature	40 °C	Drive End Bearing Size	6203
Opp Drive End Bearing Size	6203	UL	Recognized
CSA	Y	CE	N
IP Code	22		

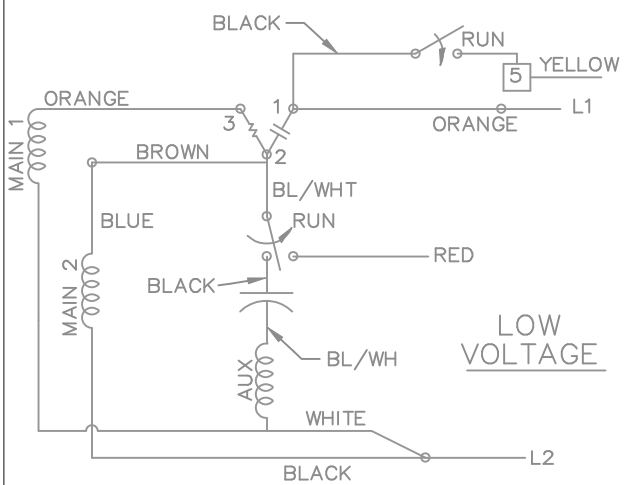
Technical Specifications

Electrical Type	Capacitor Start Induction Run	Starting Method	Across The Line
Poles	4	Rotation	Fixed Counterclockwise
Mounting	Resilient Base	Motor Orientation	Horizontal
Drive End Bearing	Ball	Opp Drive End Bearing	Ball
Frame Material	Rolled Steel	Shaft Type	Single Special Extension
Overall Length	14.41 in	Frame Length	6.75 in
Shaft Diameter	0.625 in	Shaft Extension	5.66 in
Assembly/Box Mounting	F1 Only		
Outline Drawing	A-SS400109-675	Connection Diagram	A-EE9104A



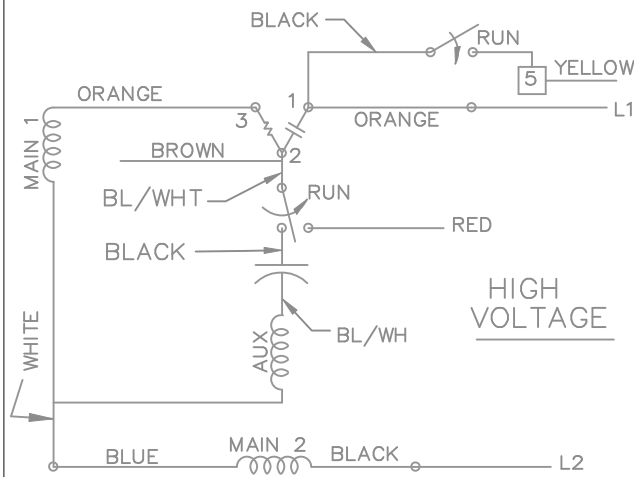
DASH	XB	XD	C	DASH	XB	XD	C
625	0	4.81	13.91	725	2.00	5.81	14.91
650	0	5.06	14.16	750	2.00	6.06	15.16
675	0	5.31	14.41	775	2.00	6.31	15.41
700	2.00	5.56	14.66				

				TOLERANCES UNLESS SPECIFIED			DRAWN MRB 04/24/1995					
				DEC.	INCHES		CHK	ML	04/25/1995			
4	CHANGED CONDUIT BOX PER CN39440-6			TJW	.X	±.1	APPD GK 04/25/1995					
3	CHANGED C'BOX PER CN39440-5			TJW 9/5/2006	ML	.XX	±.03	SCALE 5=16				
2	REVISED ODE BRACKET AND SHAFT EXT. CN 37313			RDH 12-08-2003	JET	.XXX	±.005	REF SS73788				
1	NEW DRAWING			4274145	MRB 05/01/1995	ML	.XXXX	±.0005	FMF CN 37313			
NO.	REVISION			BY & DATE	CHK	ANG	±7'30"	PREV				
THIS DRAWING IN DESIGN AND DETAIL IS OUR PROPERTY AND MUST NOT BE USED EXCEPT IN CONNECTION WITH OUR WORK ALL RIGHTS OF DESIGN AND INVENTION ARE RESERVED THIS IS AN ELECTRONICALLY GENERATED DOCUMENT - DO NOT SCALE THIS PRINT				RFP	CAD FILE ss400109			SIZE	DRAWING NO.	PAGE	OF	REV.
				DIST	WP	A			SS400109			4

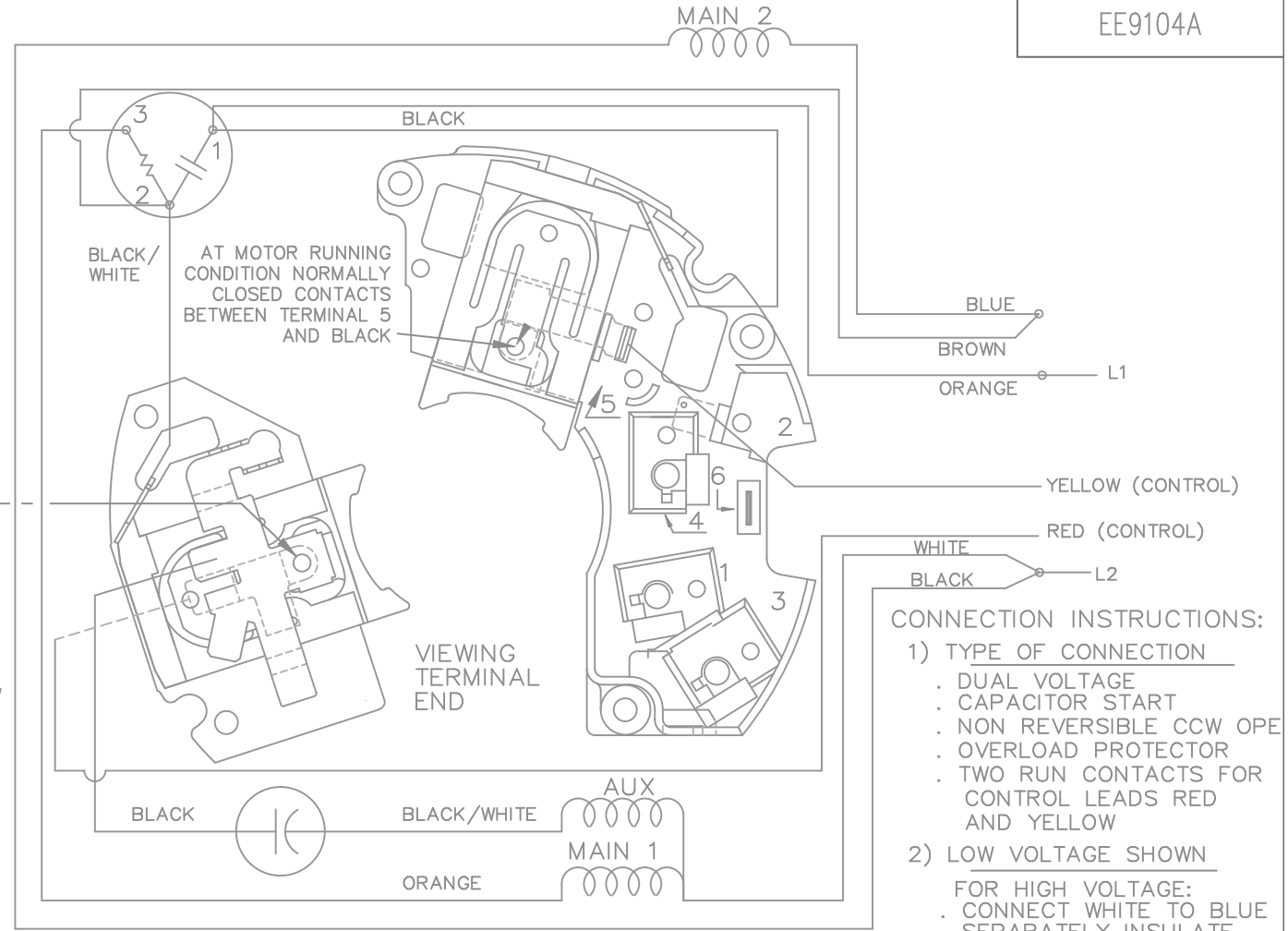


LOW VOLTAGE

AT MOTOR RUNNING CONDITION CONTACTS ARE:
 . NORMALLY CLOSED BETWEEN PROTECTOR AND RED JUMPER
 . NORMALLY OPEN BETWEEN PROTECTOR AND CAPACITOR



HIGH VOLTAGE



CCW ROTATION-LEAD END

NOTE:
 DASH LINES INDICATE LEADS CONNECTED TO MOTOR SIDE OF SWITCH.

CONNECTION INSTRUCTIONS:

- 1) TYPE OF CONNECTION
 - . DUAL VOLTAGE
 - . CAPACITOR START
 - . NON REVERSIBLE CCW OPE
 - . OVERLOAD PROTECTOR
 - . TWO RUN CONTACTS FOR CONTROL LEADS RED AND YELLOW
- 2) LOW VOLTAGE SHOWN

FOR HIGH VOLTAGE:

 - . CONNECT WHITE TO BLUE
 - . SEPARATELY INSULATE BROWN
- 3) CAUTION
 - . LINE VOLTAGE APPEARS BETWEEN L2 AND YELLOW AND RED LEADS WHEN MOTOR IS AT RUNNING SPEED

				TOLERANCES UNLESS SPECIFIED		REGAL-BELOIT <i>Motor Technologies Group</i>	DRAWN MKLEIST 09-22-03			
				DEC.	INCHES		CHK	ML 09-25-03		
				.X	±.1	TITLE CONNECTION DIAGRAM 48 FRAME DUAL VOLTAGE (REPLACES A-EE9061J)	APPD	DN 09-25-03		
				.XX	±.02		SCALE	1=1		
2	REVISED TO MATCH WINDING DIAGRAM CN 37313	RDH 12-18-2003	JET	.XXX	±.005	MAT'L.	REF			
1	NEW DRAWING	MJK 09/22/2003		.XXXX	±.0005		FINISH	FMF		
NO.	REVISION	BY & DATE	CHK	ANG	±'30"		PREV			
THIS DRAWING IN DESIGN AND DETAIL IS OUR PROPERTY AND MUST NOT BE USED EXCEPT IN CONNECTION WITH OUR WORK ALL RIGHTS OF DESIGN AND INVENTION ARE RESERVED THIS IS AN ELECTRONICALLY GENERATED DOCUMENT - DO NOT SCALE THIS PRINT				RFP		CAD FILE ee9104a	SIZE	DRAWING NO. EE9104A	PAGE OF	REV. 2
				DIST			A			

