

PRODUCT INFORMATION PACKET

Model No: 056C17D2115

Catalog No: K235

.33 HP General Purpose Motor, 1 phase, 1800 RPM, 115/208-230 V, 56C Frame, ODP
Single Phase ODP Motors



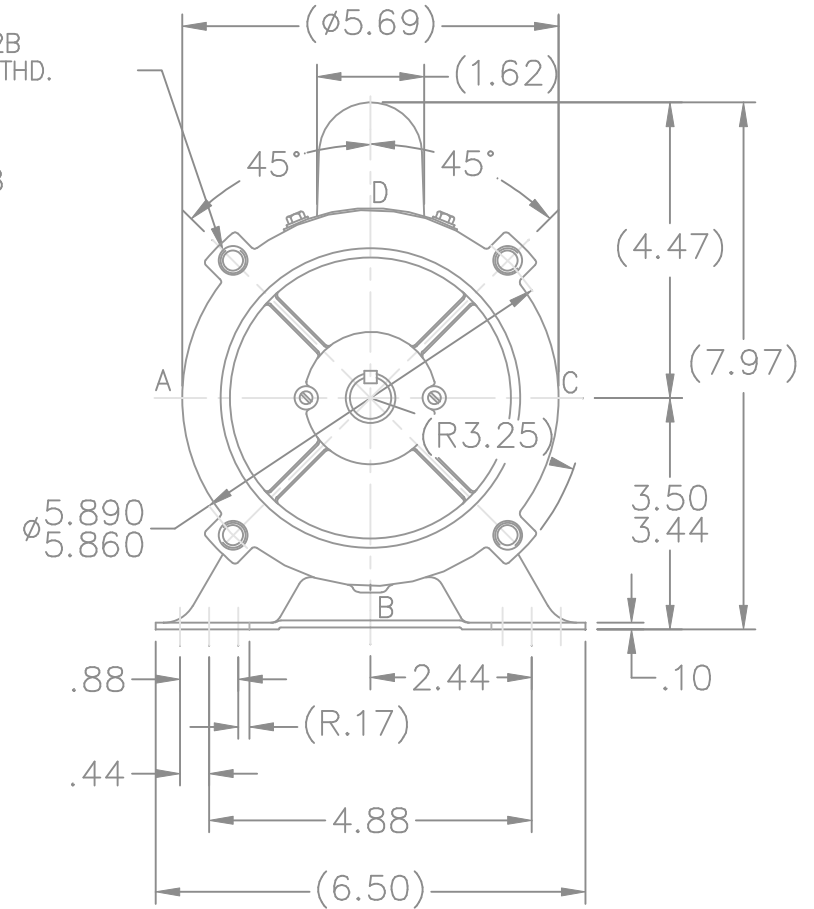
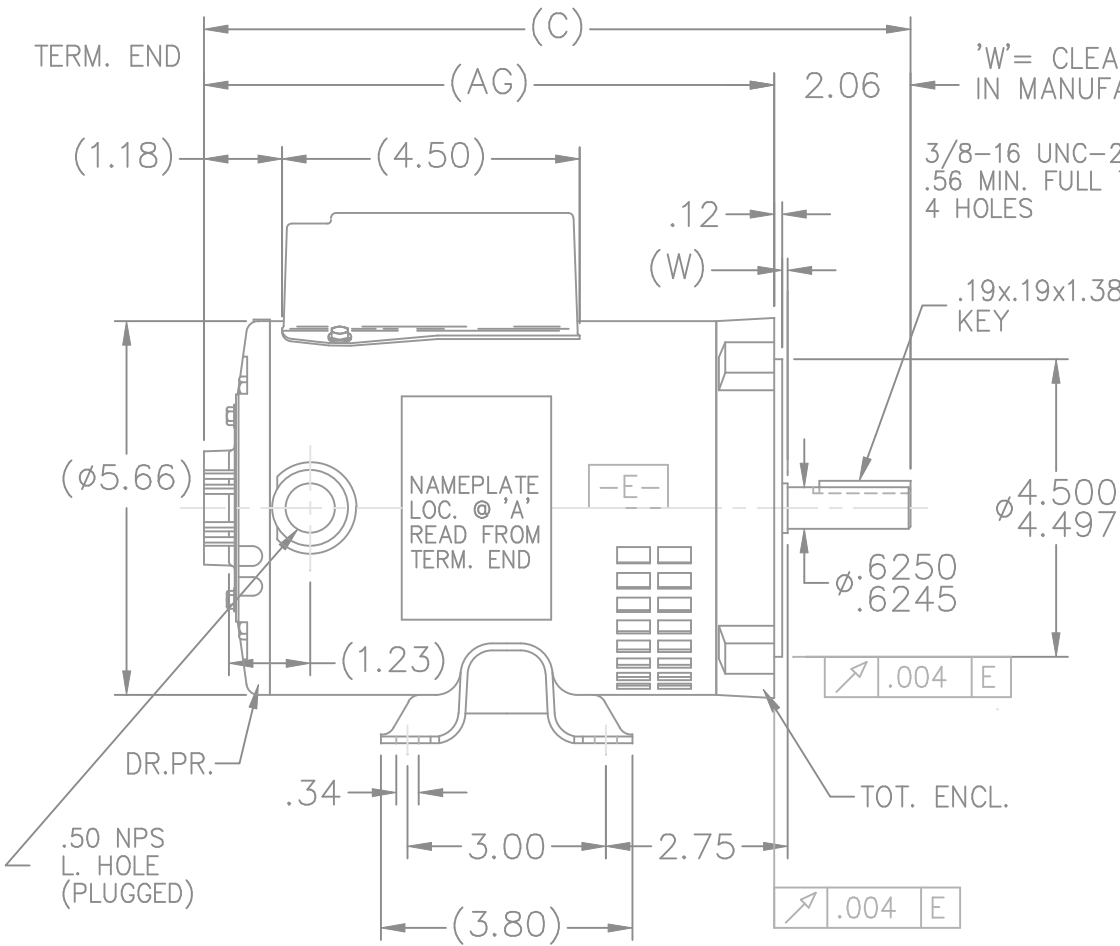
Nameplate Specifications

| | | | |
|------------------------|-----------------------|----------------------------|----------------------|
| Output HP | .33 Hp | Output KW | .25 kW |
| Frequency | 60 Hz | Voltage | 115/208-230 V |
| Current | 6.4/3-3.2 A | Speed | 1725 rpm |
| Service Factor | 1.35 | Phase | 1 |
| Efficiency | 62 % | Power Factor | 62.1 |
| Duty | CONTINUOUS | Insulation Class | B |
| Design Code | No Design Code | KVA Code | L |
| Frame | 56C | Enclosure | DP |
| Thermal Protection | AUTOMATIC | Ambient Temperature | 40 °C |
| Drive End Bearing Size | 6203 | Opp Drive End Bearing Size | 6203 |
| UL | Recognized | CSA | Y |
| CE | N | IP Code | 22 |

Technical Specifications

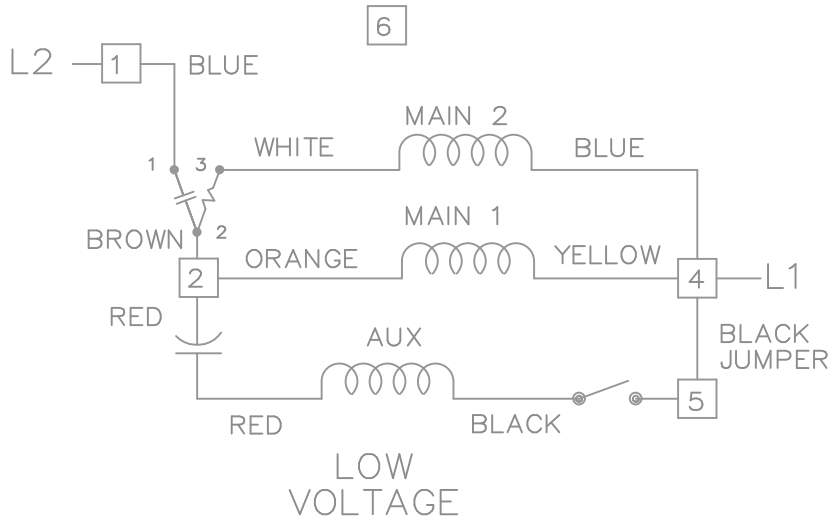
| | | | |
|-----------------------|--------------------------|-----------------------|------------------------|
| Electrical Type | CAP START IND RUN | Starting Method | ACROSS THE LINE |
| Poles | 4 | Rotation | SELECTIVE CCW |
| Resistance Main | 0 Ohms | Mounting | RIGID |
| Motor Orientation | HORIZONTAL | Drive End Bearing | BALL |
| Opp Drive End Bearing | BALL | Frame Material | ROLLED STEEL |
| Shaft Type | T | Overall Length | 10.68 in |
| Frame Length | 6.75 in | Shaft Diameter | .63 in |
| Shaft Extension | 2.06 in | Assembly/Box Mounting | F1 Only |

This is an uncontrolled document once printed or downloaded and is subject to change without notice. Date Created:01/11/2019

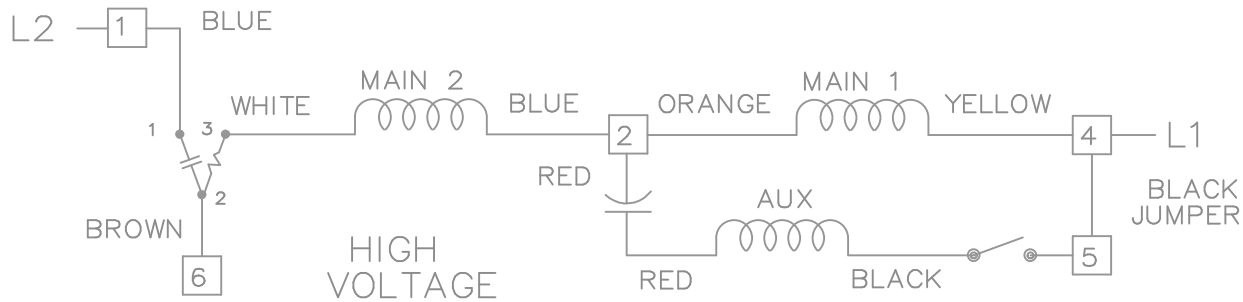
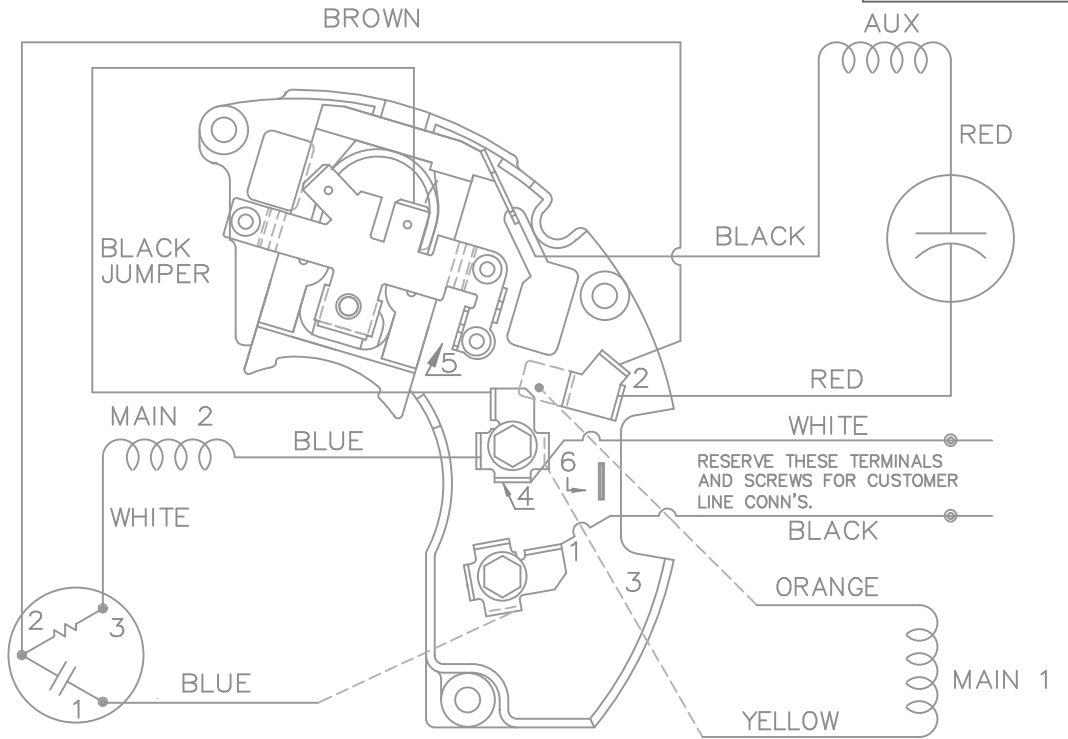


| DASH | C | AG | DASH | C | AG | DASH | C | AG |
|------|-------|------|------|-------|------|------|-------|------|
| 600 | 9.93 | 7.87 | 675 | 10.68 | 8.62 | 750 | 11.43 | 9.37 |
| 625 | 10.18 | 8.12 | 700 | 10.93 | 8.87 | 775 | 11.68 | 9.62 |
| 650 | 10.43 | 8.37 | 725 | 11.18 | 9.12 | | | |

| | | | TOLERANCES UNLESS SPECIFIED | | MARATHON ELECTRIC | DRAWN DD 2/18/1993 | | |
|--|---------------------|----------------|--------------------------------|------------------|----------------------------------|--------------------|-------------------------|--------|
| | | | DEC. | INCHES | | CHK ML 2/19/1993 | | |
| | | | .X | ±.1 | TITLE OUTLINE 56 FR. - DR.PR. | APPD GK 2/19/1993 | SCALE 11=32 | |
| 3 | UPDATED DRAWING | TJW 05/07/2007 | .XX | ±.03 | | MAT'L. | REF | FMF |
| 2 | UPDATED MU18587 | MH 2/16/1998 | .XXX | ±.005 | FINISH | PREV | | |
| 1 | NEW DRAWING 4000210 | DD 2/26/1993 | .XXXX | ±.0005 | | | | |
| NO. | REVISION | BY & DATE | CHK | ANG | ±'30" | | | |
| THIS DRAWING IN DESIGN AND DETAIL IS OUR PROPERTY AND MUST NOT BE USED EXCEPT IN CONNECTION WITH OUR WORK ALL RIGHTS OF DESIGN AND INVENTION ARE RESERVED THIS IS AN ELECTRONICALLY GENERATED DOCUMENT - DO NOT SCALE THIS PRINT | | | RFP | CAD FILE SS75661 | | SIZE A | DRAWING NO. PAGE 1 OF 1 | REV. 3 |
| | | | DIST WP | | | | SS75661 | |



DUAL VOLTAGE CAPACITOR START REVERSIBLE ON TERM BOARD WITH OVERLOAD PROTECTION



FOR HIGH VOLTAGE
CONNECT BROWN TERM 2 TO TERM 6.
CONNECT BLUE TERM 4 TO TERM 2.
TO REVERSE ROTATION EITHER
VOLTAGE INTERCHANGE RED
LEAD WITH BLACK LEAD.

| | | | | TOLERANCES UNLESS SPECIFIED | | MARATHON ELECTRIC | DRAWN BW 02-22-1990 | | | | | |
|--|-----------------------------|----------|----------------|-----------------------------|------------------|--|---------------------|------|-------------|---------|-----|------|
| | | | | DEC. | INCHES | | CHK | ML | 02-22-1990 | | | |
| | | | | .X | ± - | TITLE CONNECTION DIAGRAM 48 FR. DUAL VOLTAGE REVERSIBLE | APPD | GK | 02-22-1990 | SCALE | 1=1 | |
| 3 | ROUTING OF BLACK JUMPER | CN 35440 | BJK 08-20-2002 | .XX | ± - | | REF | | | | | |
| 2 | REVISED BLACK LINE LOCATION | CN 6427 | RM 01-28-1991 | .XXX | ± - | | MAT'L. | FMF | | | | |
| 1 | NEW DRAWING | | BW 02-22-1990 | .XXXX | ± - | | FINISH | PREV | | | | |
| NO. | REVISION | | BY & DATE | CHK | ANG | | ± - | | | | | |
| THIS DRAWING IN DESIGN AND DETAIL IS OUR PROPERTY AND MUST NOT BE USED EXCEPT IN CONNECTION WITH OUR WORK ALL RIGHTS OF DESIGN AND INVENTION ARE RESERVED THIS IS AN ELECTRONICALLY GENERATED DOCUMENT - DO NOT SCALE THIS PRINT | | | | RFP | CAD FILE EE9002M | | | SIZE | DRAWING NO. | PAGE | OF | REV. |
| | | | | DIST | WP | | | | A | EE9002M | | 3 |

CERTIFICATION DATA SHEET

Model#: 56C17D2115 D WINDING#: CE48443 NONE 3
 CONN. DIAGRAM: A-EE9002M ASSEMBLY: F1 ONLY
 OUTLINE: A-SS75661-675

TYPICAL MOTOR PERFORMANCE DATA

| HP | KW | SYNC. RPM | F.L. RPM | FRAME | ENCLOSURE | KVA CODE | DESIGN |
|-----|-----|-----------|----------|-------|-----------|----------|----------------|
| 1/3 | .25 | 1800 | 1725 | 56C | DP | L | NO DESIGN CODE |

| PH | Hz | VOLTS | FL AMPS | START TYPE | DUTY | INSL | S.F | AMB°C | ELEVATION |
|----|----|-------------|-----------|-----------------|------------|------|------|-------|-----------|
| 1 | 60 | 115/208-230 | 6.4/3-3.2 | ACROSS THE LINE | CONTINUOUS | B3 | 1.35 | 40 | 3300 |

| FULL LOAD EFF: 62 | 3/4 LOAD EFF: 58.8 | 1/2 LOAD EFF: 51.7 | GTD. EFF | ELEC. TYPE | NO LOAD AMPS |
|--------------------|--------------------|--------------------|----------|-------------------|--------------|
| FULL LOAD PF: 62.1 | 3/4 LOAD PF: 54.3 | 1/2 LOAD PF: 44 | 0 | CAP START IND RUN | 4.5 / 2.3 |

| F.L. TORQUE | LOCKED ROTOR AMPS | L.R. TORQUE | B.D. TORQUE | F.L. RISE°C |
|-------------|-------------------|----------------|----------------|-------------|
| 16.2 LB-FT | 26.2 / 13.1 | 57.5 LB-FT 339 | 37.7 LB-FT 233 | 57 |

| SOUND PRESSURE @ 3 FT. | SOUND POWER | ROTOR WK^2 | MAX. WK^2 | SAFE STALL TIME | STARTS /HOUR | APPROX. MOTOR WGT |
|------------------------|-------------|------------|-----------|-----------------|--------------|-------------------|
| - dBA | - dBA | 0 LB-FT^2 | - LB-FT^2 | 10 SEC. | - | 0 LBS. |

*** SUPPLEMENTAL INFORMATION ***

| DE BRACKET TYPE | ODE BRACKET TYPE | MOUNT TYPE | ORIENTATION | SEVERE DUTY | HAZARDOUS LOCATION | DRIP COVER | SCREENS | PAINT |
|-----------------|------------------|------------|-------------|-------------|--------------------|------------|---------|---------------|
| C-FACE | STANDARD | RIGID | HORIZONTAL | FALSE | NONE | FALSE | NONE | GRAY (POWDER) |

| BEARINGS | | GREASE | SHAFT TYPE | SPECIAL DE | SPECIAL ODE | SHAFT MATERIAL | FRAME MATERIAL |
|----------|------|-------------|------------|------------|-------------|--------------------------|----------------|
| DE | OPE | MULTEMP SRL | T | NONE | NONE | 1144 STRESSPROOF (C-223) | ROLLED STEEL |
| BALL | BALL | | | | | | |
| 6203 | 6203 | | | | | | |

| THERMO-PROTECTORS | | | | THERMISTORS | CONTROL | SPACE /n HEATERS |
|-------------------|------------|----------|----------|-------------|---------|------------------|
| THERMOSTATS | PROTECTORS | WDG RTDs | BRG RTDs | NONE | FALSE | NONE VOLTS |
| NONE | AUTOMATIC | NONE | NONE | | | |

If Inverter equals NONE, contact factory for further information

| |
|---------------------------|
| INVERTER TORQUE: NONE |
| INV. HP SPEED RANGE: NONE |
| ENCODER: NONE |
| NONE NONE |
| NONE NONE PPR |
| BRAKE: NONE NONE |
| NONE P/N NONE |
| NONE NONE |
| NONE FT-LB NONE V NONE Hz |

*
N
O
T
E
S
*

DATE: 06/27/2017 06:43:05 AM
 FORM 3531 REV.3 02/07/99
 ** Subject to change without notice.