

PRODUCT INFORMATION PACKET

Model No: 056C17D5340
Catalog No: S117
1,1725,DP,56,1/60/115/230
Open Drip Proof (ODP)



Regal and Marathon are trademarks of Regal Beloit Corporation or one of its affiliated companies.
©2018 Regal Beloit Corporation, All Rights Reserved. MC017097E





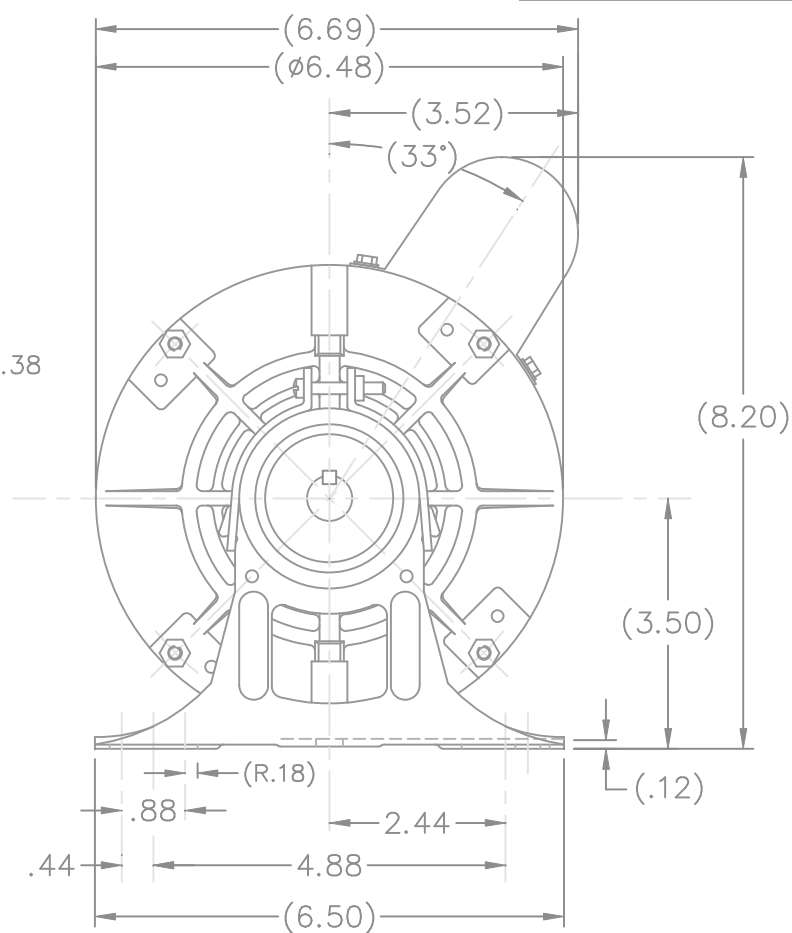
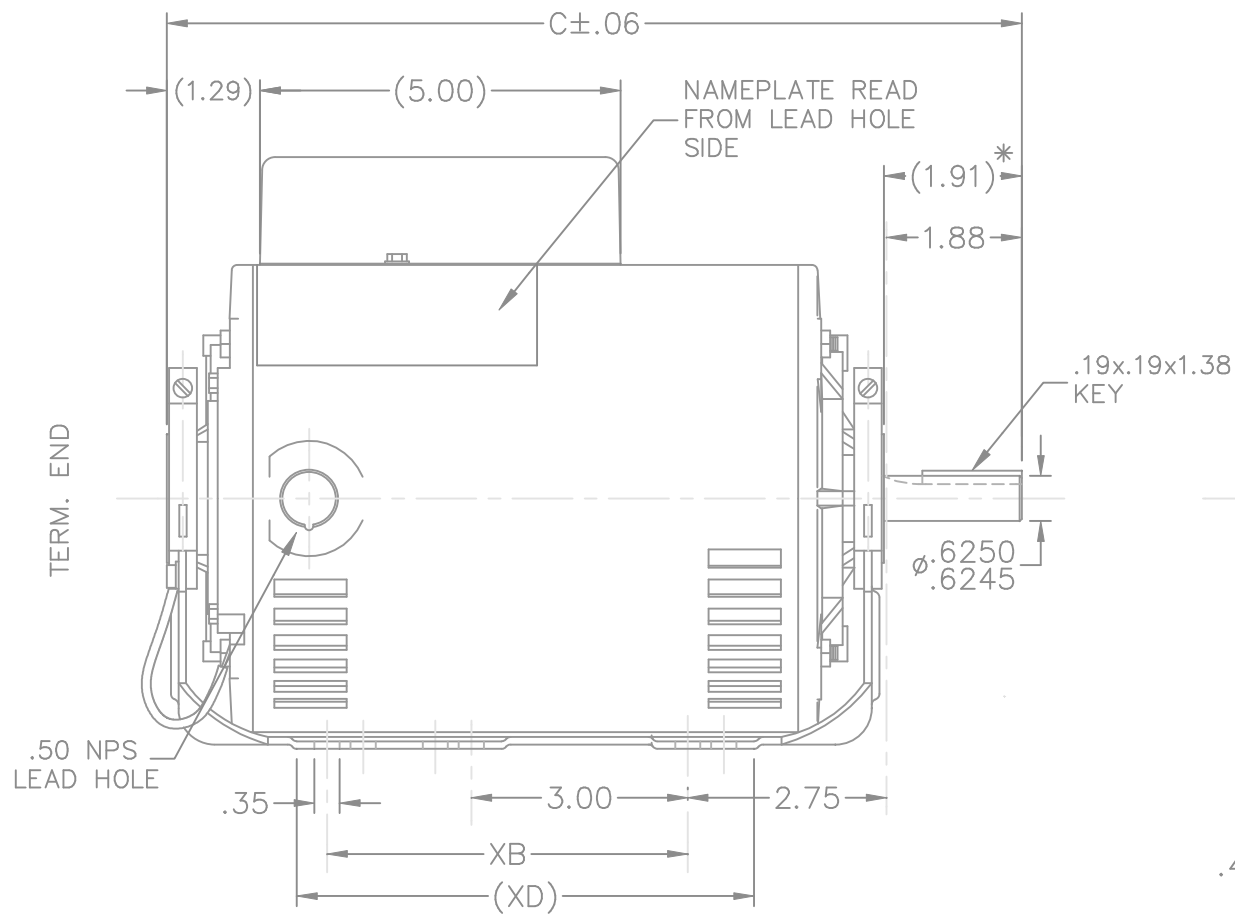
Nameplate Specifications

Output HP	1 Hp	Output KW	0.75 kW
Frequency	60 Hz	Voltage	115/230 V
Current	13.6/6.8 A	Speed	1725 rpm
Service Factor	1	Phase	1
Efficiency	70 %	Duty	Continuous
Insulation Class	B	Design Code	NO DESIGN CODE
KVA Code	J	Frame	56
Enclosure	Drip Proof	Overload Protector	Automatic
Ambient Temperature	40 °C	Drive End Bearing Size	6203
Opp Drive End Bearing Size	6203	UL	Recognized
CSA	Y	CE	Y
IP Code	22		

Technical Specifications

Electrical Type	Capacitor Start Induction Run	Starting Method	Across The Line
Poles	4	Rotation	Selective Counterclockwise
Mounting	Resilient Base	Motor Orientation	Horizontal
Drive End Bearing	Ball	Opp Drive End Bearing	Ball
Frame Material	Rolled Steel	Shaft Type	NEMA 56
Overall Length	11.35 in	Frame Length	7.06 in
Shaft Diameter	0.625 in	Shaft Extension	1.91 in
Assembly/Box Mounting	F1 Only		
Outline Drawing	A-100121-706	Connection Diagram	102005-2

This is an uncontrolled document once printed or downloaded and is subject to change without notice. Date Created: 07/02/2018



* DIMENSION IS FROM RESILIENT RING END CAP TO END OF SHAFT

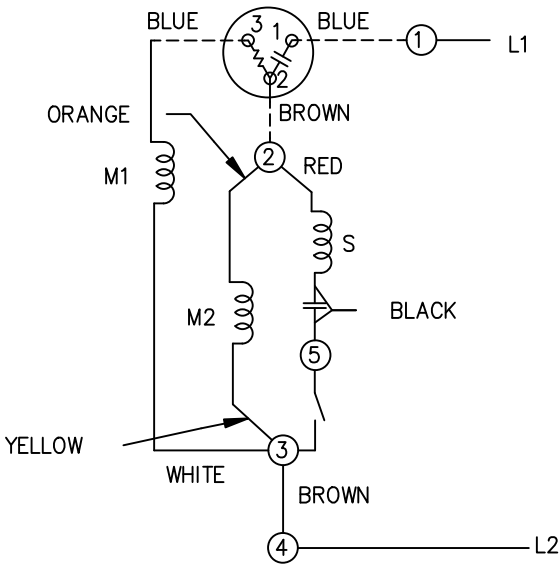
NOTES:

1. MOTOR MUST BE ROTATED TO PROVIDE SOCKET CLEARANCE FOR GROUND SCREW, MAXIMUM (10 DEGREES).

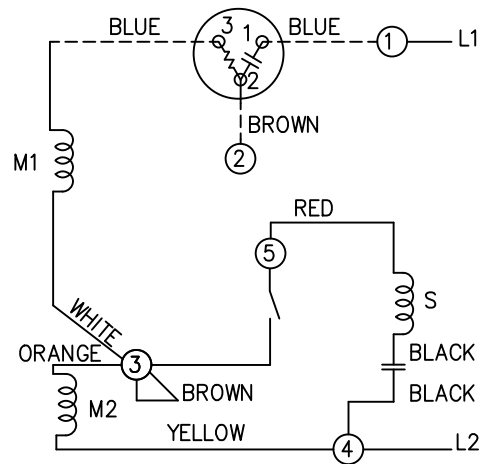
DASH	FRAME	C	XB	XD
656	56-	10.85	0	5.50
706	56-	11.35	0	6.00
756	"-	11.85	5.00	6.50
856	"-	12.85	5.00	6.50

				TOLERANCES UNLESS SPECIFIED			DRAWN PGK 12-16-1996			
				DEC.	INCHES		CHK ML 01-16-1997			
8	ADDED DASH 6 IN THE REFERENCE TABLE	SVL 12/14/2005	AT	.X	±.1	TITLE OUTLINE 56FR. - 1ø-BB-DR.PR.-RESIL. MT.	APPD GK 01-16-1997			
7	REDRAWN IN AUTOCAD	TAT 09-01-2004	ML	.XX	±.03		SCALE 3=8			
6	ADDED NOTE CN 24378	PGK 06-09-1997		.XXX	±.005		REF			
5	REDRAWN ON CADD	PGK 01-16-1997		.XXXX	±.0005		FMF			
NO.	REVISION	BY & DATE	CHK	ANG	±'30"		FINISH	PREV		
THIS DRAWING IN DESIGN AND DETAIL IS OUR PROPERTY AND MUST NOT BE USED EXCEPT IN CONNECTION WITH OUR WORK ALL RIGHTS OF DESIGN AND INVENTION ARE RESERVED THIS IS AN ELECTRONICALLY GENERATED DOCUMENT - DO NOT SCALE THIS PRINT				RFP		CAD FILE 100121	SIZE A	DRAWING NO. 100121	PAGE 1 OF 1	REV. 8
				DIST WP						

LOW VOLTAGE - C.C.W.



HIGH VOLTAGE - C.C.W.



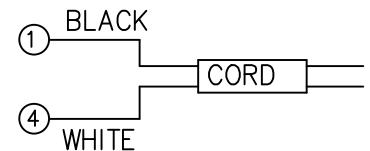
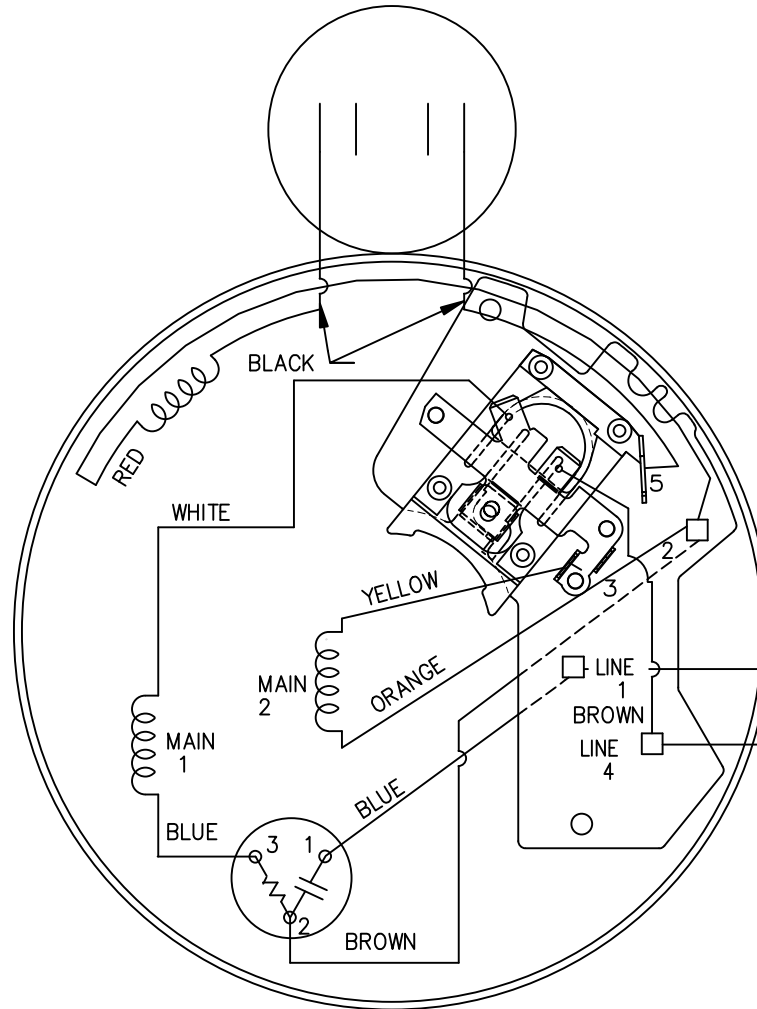
VIEWING TERM END

102005-2

DUAL VOLTAGE CAPACITOR START OVERLOAD SELECT ROT.

LOW VOLTAGE C.C.W. ROTATION SHOWN. TO REVERSE INTERCHANGE RED WITH BLACK LEAD ON TERMS 2 AND 5.

FOR HIGH VOLTAGE C.C.W. ROT. FIRST REMOVE BROWN JUMPER FROM TERM. 4 AND ATTACH TO TERM.3 AND CONNECT YELLOW LEAD TO TERM.4 AND ORANGE LEAD TO TERM 3. CONNECT RED LEAD TO TERM #5 AND BLACK LEAD FROM TERM #5 TO TERM #4. TO REVERSE INTERCHANGE RED WITH BLACK LEAD ON TERMS 5 AND 4.



CONNECTION FOR CORD

			TOLERANCES UNLESS SPECIFIED		REGAL-BELOIT <i>Motor Technologies Group</i>		DRAWN PGK 06-20-1996	
NO.	REVISION	BY & DATE	CHK	ANG	FINISH			PREV
11	ADD NOTE ISAAC 10-3333	TF 9/27/2010	DEC.	INCHES				CHK MRB 07-18-1996
10	UPDATED WIRING HARNESS CONNECTIONS CN 32007	DRS 01-14-2003	ML	.X	±.1			APPD GK 07-18-1996
9	ADDED CONNECTION FOR WIRING HARNESS	KJC 12-17-2002	SAS	.XX	±.03	TITLE CONNECTION DIAGRAM		SCALE 5=8
8	RE-ISSUE FOR CLARITY	PGK 08-21-1996		.XXX	±.005			REF
7	REDRAWN ON CADD, NO CHANGES	PGK 07-18-1996		.XXXX	±.0005	MAT'L.		FMF
			RFP			CAD FILE 102005_2	SIZE A	DRAWING NO. 102005-2
			DIST					PAGE OF 11

THIS DRAWING IN DESIGN AND DETAIL IS OUR PROPERTY AND MUST NOT BE USED EXCEPT IN CONNECTION WITH OUR WORK ALL RIGHTS OF DESIGN AND INVENTION ARE RESERVED THIS IS AN ELECTRONICALLY GENERATED DOCUMENT - DO NOT SCALE THIS PRINT

