

PRODUCT INFORMATION PACKET

Model No: 056C17F5350
Catalog No: T014
3/4,1725,TEFC,56,1/60/115/208-230
Power Tools



Regal and Marathon are trademarks of Regal Beloit Corporation or one of its affiliated companies.
©2018 Regal Beloit Corporation, All Rights Reserved. MC017097E



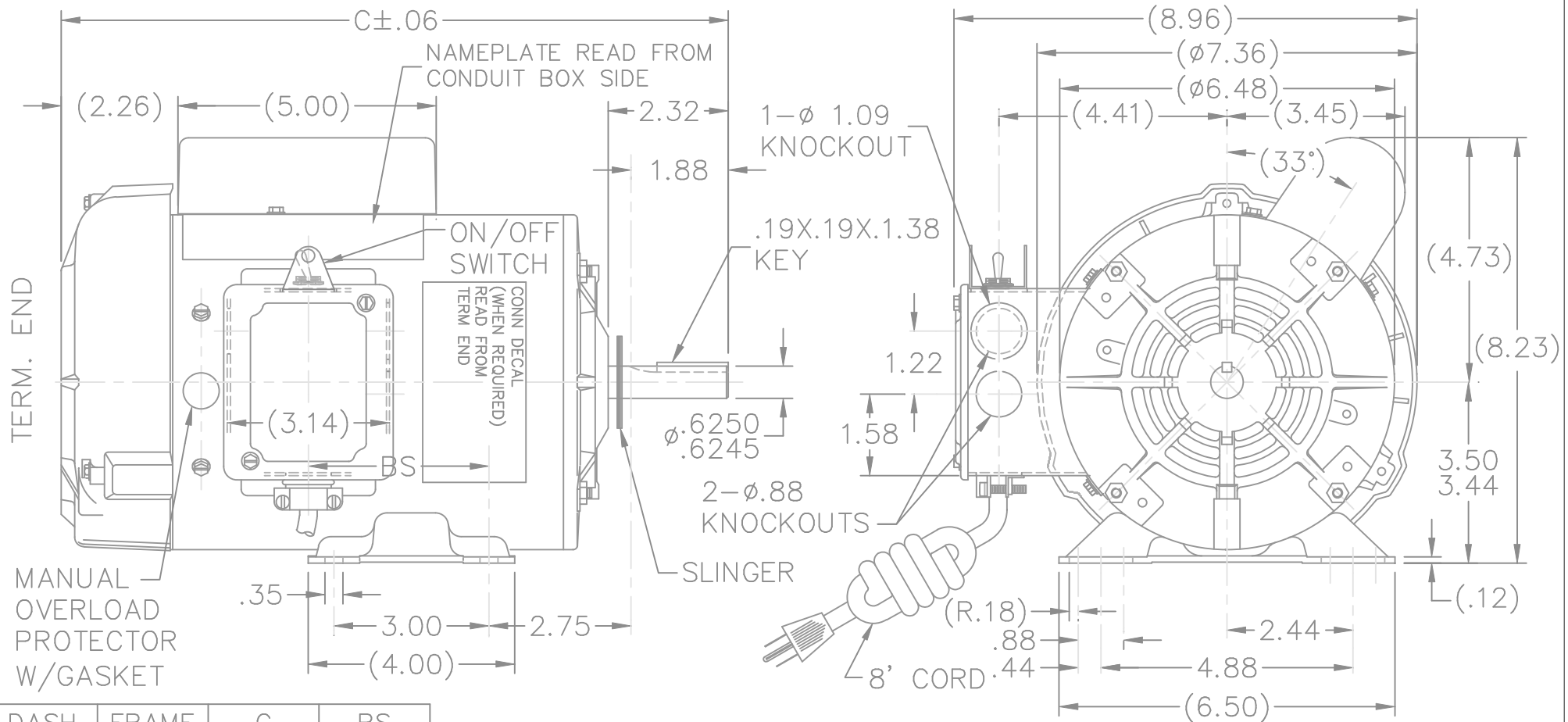
Nameplate Specifications

Output HP	0.75 Hp	Output KW	0.56 kW
Frequency	60 Hz	Voltage	115/208-230 V
Current	11.0/5.4-5.5 A	Speed	1725 rpm
Service Factor	1.15	Phase	1
Efficiency	71 %	Duty	Continuous
Insulation Class	B	Design Code	L
KVA Code	L	Frame	56
Enclosure	Totally Enclosed Fan Cooled	Overload Protector	Manual
Ambient Temperature	40 °C	Drive End Bearing Size	6203
Opp Drive End Bearing Size	6203	UL	Recognized
CSA	Y	CE	Y
IP Code	43		

Technical Specifications

Electrical Type	Capacitor Start Induction Run	Starting Method	Across The Line
Poles	4	Rotation	Selective Counterclockwise
Mounting	Rigid base	Motor Orientation	Horizontal
Drive End Bearing	Ball	Opp Drive End Bearing	Ball
Frame Material	Rolled Steel	Shaft Type	T
Overall Length	12.32 in	Shaft Diameter	0.625 in
Shaft Extension	1.88 in	Assembly/Box Mounting	F1 Only
Outline Drawing	A-104239-706	Connection Diagram	102005-79

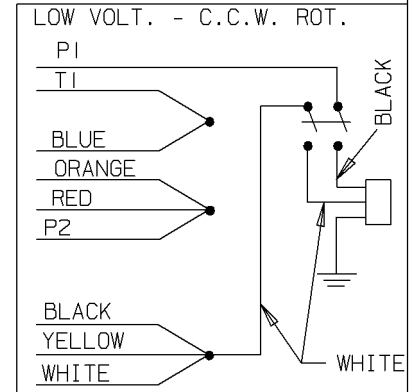
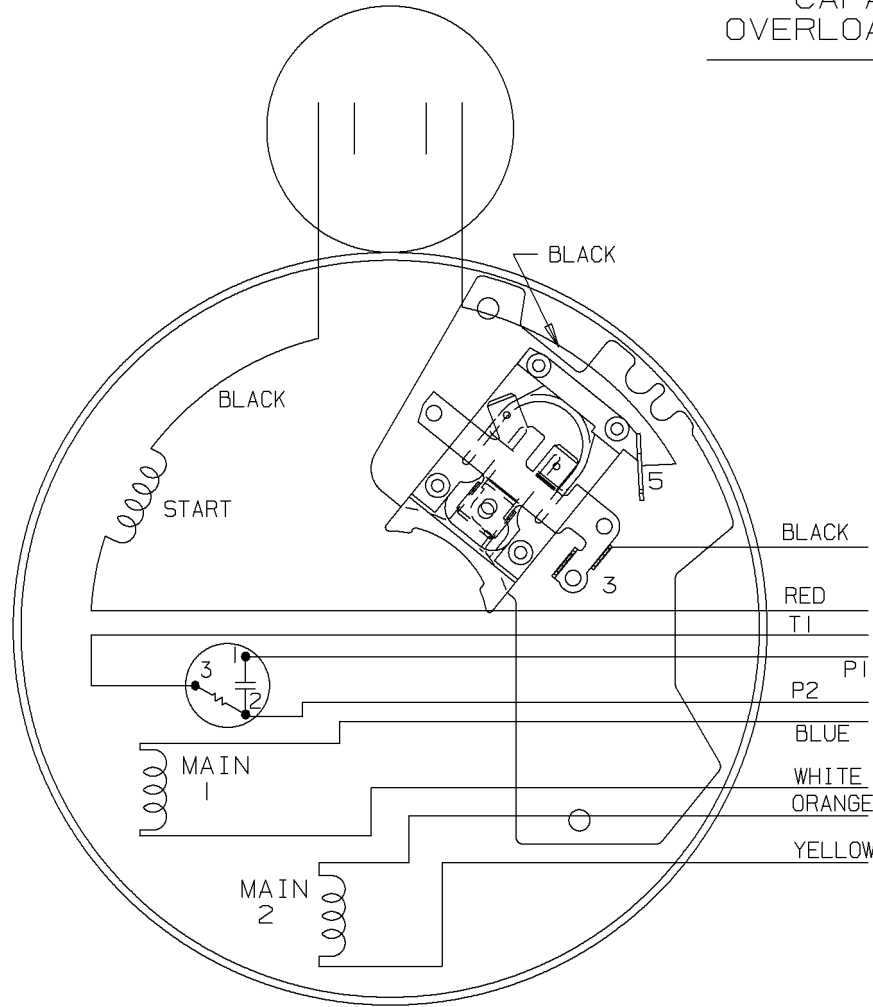
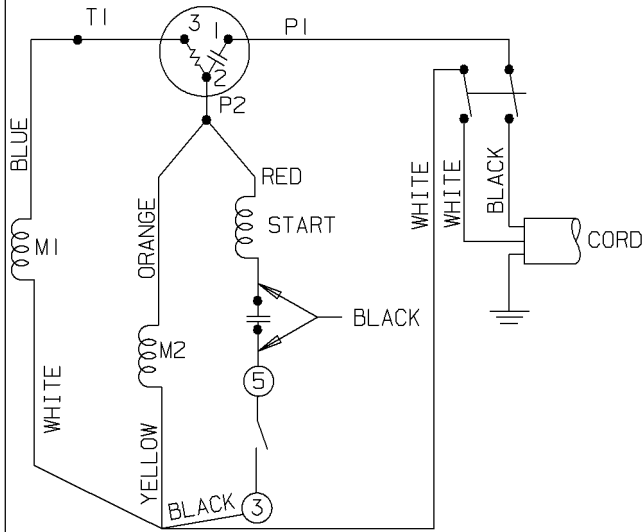
This is an uncontrolled document once printed or downloaded and is subject to change without notice. Date Created: 06/29/2018



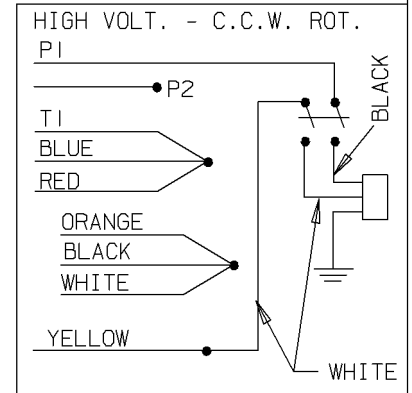
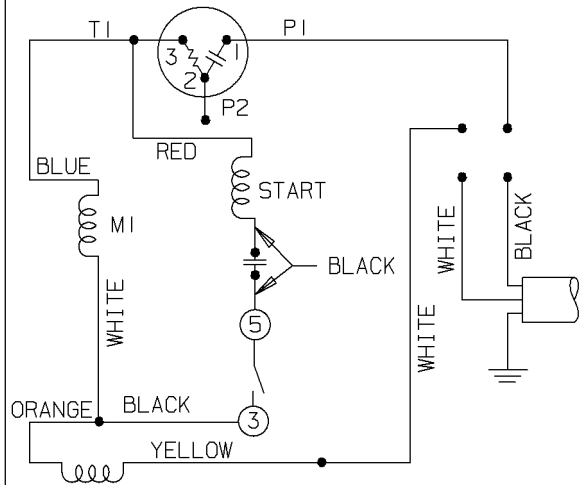
DASH	FRAME	C	BS
656	56-65	11.82	2.40
706	56-70	12.32	2.90
756	56-75	12.82	3.40

			TOLERANCES UNLESS SPECIFIED			DRAWN PGK 01-28-1997							
			DEC.	INCHES		CHK	ML	02-01-1997	APPD	SAT	02-14-1997		
4	UPDATED DRAWING	RJW 03-29-2007	.X	±.1	TITLE OUTLINE 56 FR. - BB - TEFC - 1Ø MAT'L. FINISH	SCALE 11=32							
3	REDRAWN IN AUTOCAD	TAT 06-24-2005	DRS	.XX		±.03	REF						
2	REMOVED DRAIN HOLE CN 24300-116	PGK 03-19-1997		.XXX		±.005	FMF						
1	NEW DRAWING MU12072	PGK 02-14-1997		.XXXX		±.0005	PREV						
NO.	REVISION	BY & DATE	CHK	ANG		±'30"	RFP	CAD FILE	104239	SIZE	DRAWING NO.	PAGE	OF
	THIS DRAWING IN DESIGN AND DETAIL IS OUR PROPERTY AND MUST NOT BE USED EXCEPT IN CONNECTION WITH OUR WORK ALL RIGHTS OF DESIGN AND INVENTION ARE RESERVED THIS IS AN ELECTRONICALLY GENERATED DOCUMENT - DO NOT SCALE THIS PRINT						DIST	WP	A	104239			4

DUAL VOLTAGE
CAPACITOR START
OVERLOAD SELECT ROT.



HIGH VOLTAGE - C.C.W.



FOR C.W. ROTATION
EITHER VOLTAGE
INTERCHANGE RED
WITH BLACK LEAD

				✓ MAX. SURFACE ROUGHNESS UNLESS NOTED OTHERWISE	UNLESS OTHERWISE SPECIFIED DIMENSIONS ARE IN INCHES TOL. ON XX± .02 XXX± .005 XXXX± .0005 ANGLES± 7'30"		
				MATL SPEC			DRAWN BY PGK 05-14-1996
				FINISH			CHKD BY KL 07-18-1996
2	07-08-1996	REDRAWN ON CADD, NO CHANGES	PGK	REFERENCE DRW.			WAUSAU, WISCONSIN 54401
REV	DATE	CHANGE	NAME	PART NAME CONNECTION DIAGRAM			DRWG NO A-102005-79

SHOP BOOK

PURCHASED

DISTRIBUTION - WA - LB - WP - LM - BR

CADD FILE NO.

0200579

