

PRODUCT INFORMATION PACKET

Model No: 056C34D2101

Catalog No: G238

0.75 HP General Purpose Motor, 1 phase, 3600 RPM, 115/208-230 V, 56C Frame, ODP
Single Phase ODP Motors



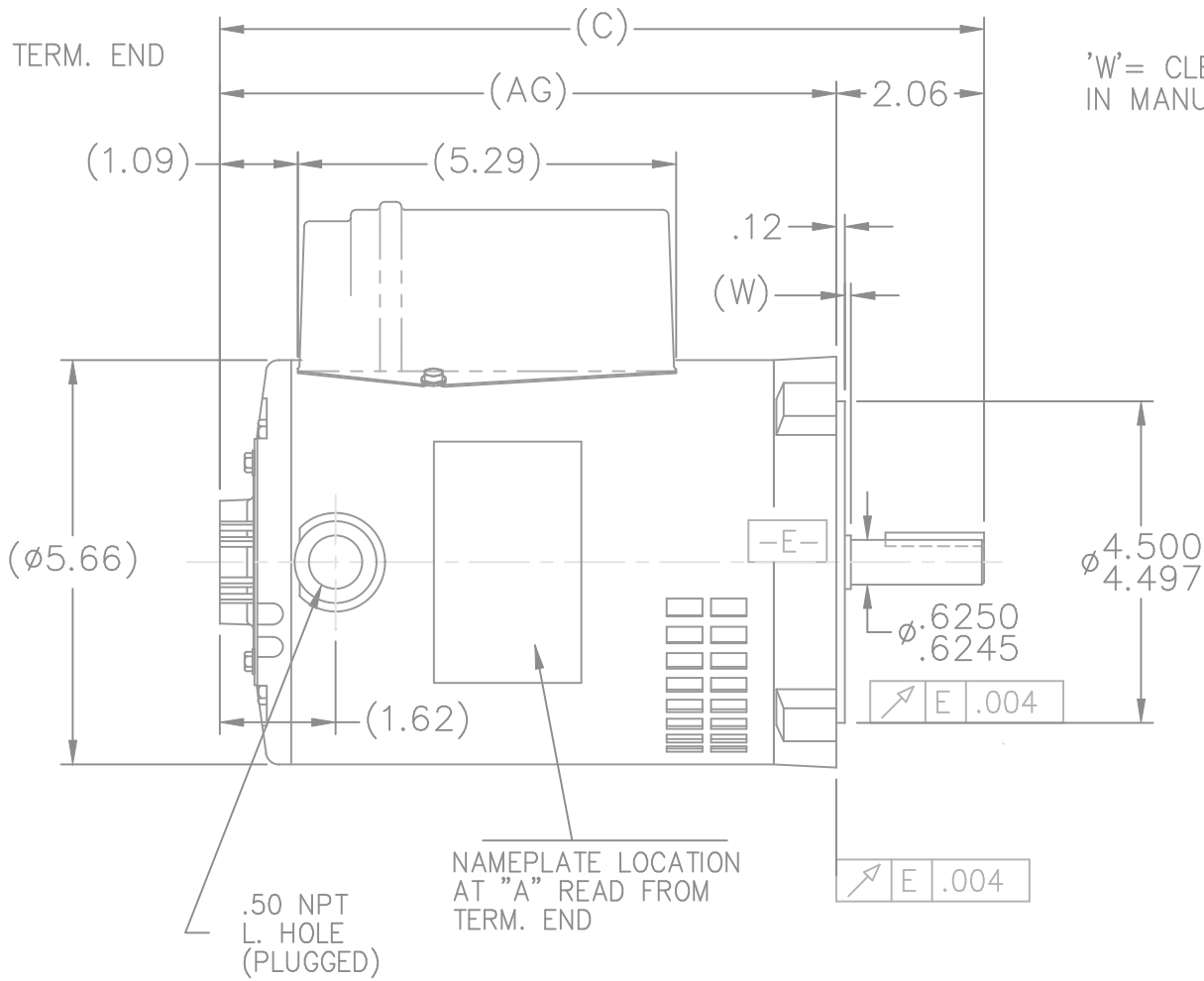
Nameplate Specifications

| | | | |
|------------------------|----------------|----------------------------|---------------|
| Output HP | 0.75 Hp | Output KW | 0.56 kW |
| Frequency | 60 Hz | Voltage | 115/208-230 V |
| Current | 9.6/4.4-4.8 A | Speed | 3450 rpm |
| Service Factor | 1.25 | Phase | 1 |
| Efficiency | 69.9 % | Power Factor | 72.5 |
| Duty | Continuous | Insulation Class | B |
| Design Code | NO DESIGN CODE | KVA Code | K |
| Frame | 56C | Enclosure | Drip Proof |
| Thermal Protection | No | Ambient Temperature | 40 °C |
| Drive End Bearing Size | 6203 | Opp Drive End Bearing Size | 6203 |
| UL | Recognized | CSA | Y |
| CE | N | IP Code | 22 |

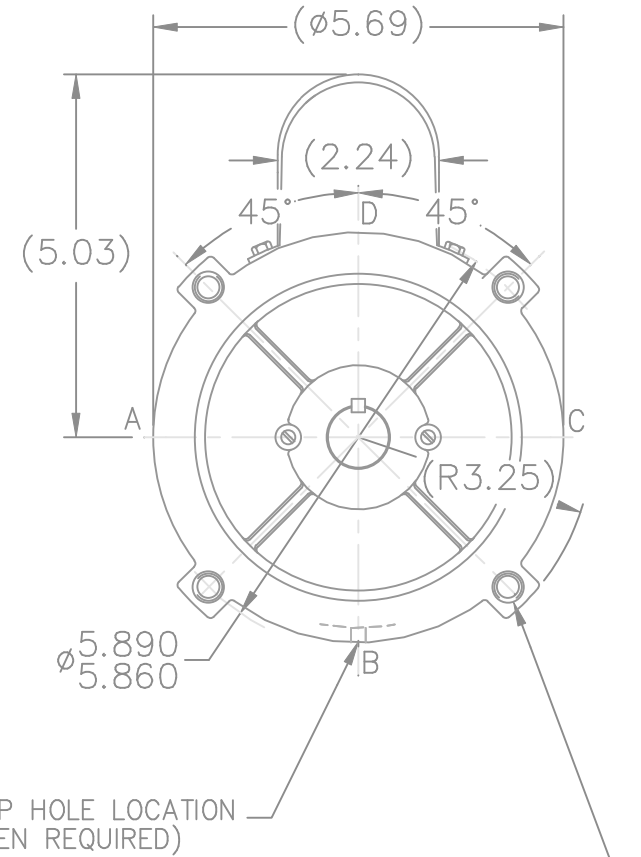
Technical Specifications

| | | | |
|-----------------------|-------------------------------|-----------------------|----------------------------|
| Electrical Type | Capacitor Start Induction Run | Starting Method | Across The Line |
| Poles | 2 | Rotation | Selective Counterclockwise |
| Resistance Main | 0 Ohms | Mounting | Round |
| Motor Orientation | Horizontal | Drive End Bearing | Ball |
| Opp Drive End Bearing | Ball | Frame Material | Rolled Steel |
| Shaft Type | T | Overall Length | 10.94 in |
| Frame Length | 7.00 in | Shaft Diameter | 0.625 in |
| Shaft Extension | 1.88 in | Assembly/Box Mounting | F1 ONLY |

This is an uncontrolled document once printed or downloaded and is subject to change without notice. Date Created:01/11/2019

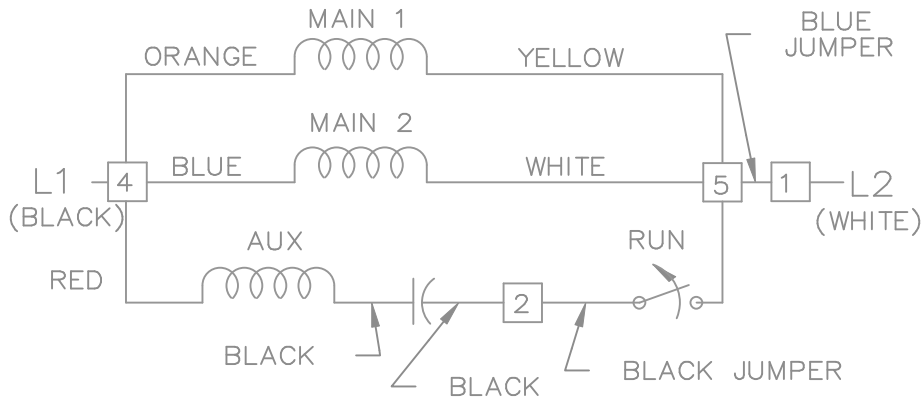


'W' = CLEARANCE ALLOWED FOR ALL VARIANCES IN MANUFACTURING & ASSEMBLY



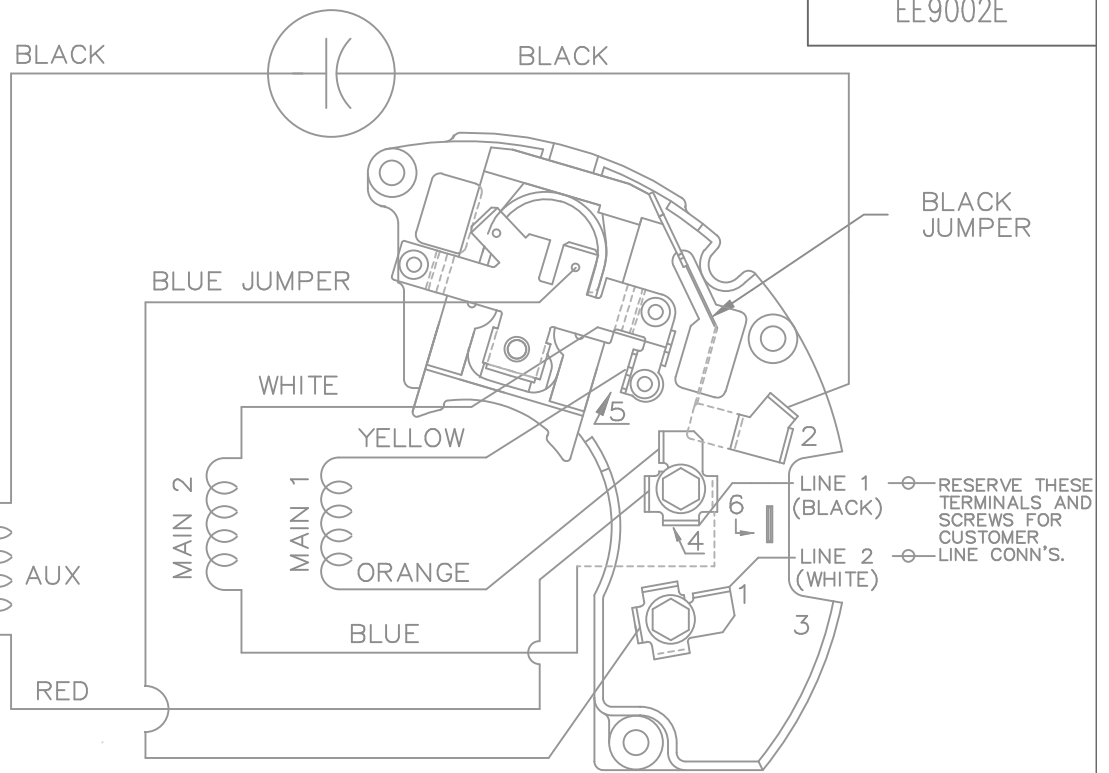
| DASH | FR | C | AG | | DASH | FR | C | AG | |
|------|----|-------|------|--|------|----|-------|------|--|
| 625 | 48 | 10.19 | 8.12 | | 725 | 48 | 11.19 | 9.13 | |
| 675 | 48 | 10.69 | 8.63 | | 775 | 48 | 11.69 | 9.63 | |
| 700 | 48 | 10.94 | 8.88 | | 800 | 48 | 11.94 | 9.88 | |

| | | | | TOLERANCES UNLESS SPECIFIED | | MARATHON ELECTRIC | DRAWN RM 10/9/1992 | | | | |
|--|---------------------------------|--|--|-----------------------------|------------------|-------------------|--------------------|------|-------------|-------------|------------|
| | | | | DEC. | INCHES | | CHK | MOL | 10/12/1992 | | |
| 4 | UPDATED DRAWING | | | TJW | 05/07/2007 | .X | ±.1 | | APPD | RJS | 10/14/1992 |
| 3 | REV'D WEEP HOLE NOTE CN20750-24 | | | CB | 5/18/1995 | .XX | ±.03 | | SCALE | 3=8 | |
| 2 | ADDED NEW FRONT BRACKET CN20124 | | | RJM | 4/4/1995 | .XXX | ±.005 | | REF | | |
| 1 | NEW DRAWING 3958931 | | | RM | 10/15/1992 | .XXXX | ±.0005 | | MAT'L. | FMF | |
| NO. | REVISION | | | BY & DATE | CHK | ANG | ±7'30" | | FINISH | PREV | |
| THIS DRAWING IN DESIGN AND DETAIL IS OUR PROPERTY AND MUST NOT BE USED EXCEPT IN CONNECTION WITH OUR WORK ALL RIGHTS OF DESIGN AND INVENTION ARE RESERVED THIS IS AN ELECTRONICALLY GENERATED DOCUMENT - DO NOT SCALE THIS PRINT | | | | RFP | CAD FILE SS75607 | | | SIZE | DRAWING NO. | PAGE 1 OF 1 | REV. |
| | | | | DIST | WP | | | A | SS75607 | | 4 |



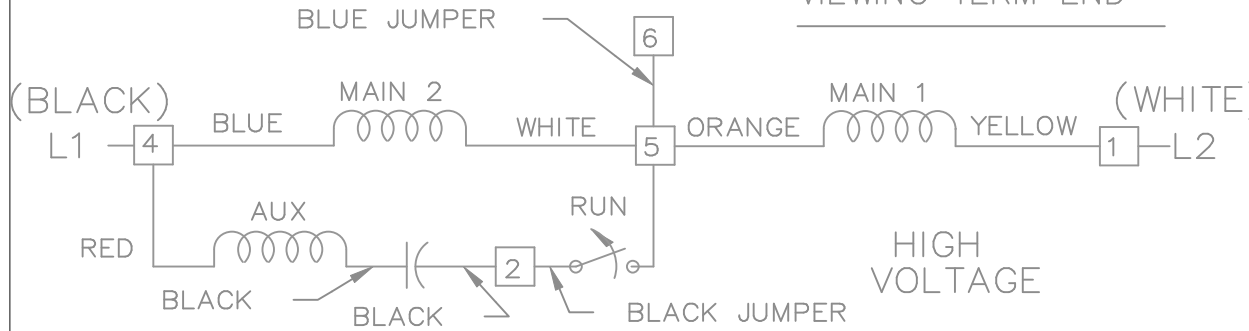
LOW VOLTAGE

DUAL VOLTAGE CAPACITOR START REVERSIBLE ON TERM BOARD NO OVERLOAD PROTECTION



VIEWING TERM END

LOW VOLTAGE CCW ROTATION SHOWN



HIGH VOLTAGE

FOR HIGH VOLTAGE:
CONNECT BLUE TERM 1 TO TERM 6,
CONNECT YELLOW TERM 5 TO TERM 1,
CONNECT ORANGE TERM 4 TO TERM 5.

TO REVERSE ROTATION EITHER VOLTAGE INTERCHANGE RED LEAD WITH BLACK LEAD

| | | | TOLERANCES UNLESS SPECIFIED | | | DRAWN ML 02-02-1988 | | | | | |
|--|-----------------------------------|---------------|-----------------------------|--------|---|---------------------|------|-------------|------|----|------|
| NO. | REVISION | BY & DATE | CHK | ANG | | SCALE | REF | FMF | PREV | | |
| 05 | COLOURS ADDED TO L1,L2 | RP 12/10/2008 | DEC. | INCHES | TITLE CONNECTION DIAGRAM 48FR. DUAL VOLTAGE REVERSIBLE | CHK | ML | 02-15-1988 | | | |
| 04 | WHITE LEAD LOCATED UNDER BKY DATE | BLR 09/13/99 | .X | ±.1 | | APPD | DRN | 02-24-1988 | | | |
| | CODE APPR. 6K AND PRIOR CN 28441 | | .XX | ±.02 | | SCALE | | 1=1 | | | |
| 03 | REVISED LINE 2 LOCATION CN 6427 | RM 01/28/1991 | .XXX | ±.005 | | REF | | EE9002E-LE | | | |
| 02 | ADDED CUSTOMER CONN. NOTE CN 6011 | BW 08/03/1989 | .XXXX | ±.0005 | | MAT'L. | | | | | |
| | | | | | FINISH | | | | | | |
| THIS DRAWING IN DESIGN AND DETAIL IS OUR PROPERTY AND MUST NOT BE USED EXCEPT IN CONNECTION WITH OUR WORK ALL RIGHTS OF DESIGN AND INVENTION ARE RESERVED THIS IS AN ELECTRONICALLY GENERATED DOCUMENT - DO NOT SCALE THIS PRINT | | | RFP | | CAD FILE | EE9002E | SIZE | DRAWING NO. | PAGE | OF | REV. |
| | | | DIST | WP | | | A | EE9002E | | | 05 |