

PRODUCT INFORMATION PACKET

marathon[®]
Motors

Model No: 056C34G5309
Catalog No: G656
3/4,3450,EPFC,56,1/60/115/208-230
Explosion Proof



Regal and Marathon are trademarks of Regal Beloit Corporation or one of its affiliated companies.
©2018 Regal Beloit Corporation, All Rights Reserved. MC017097E

REGAL[®]



Nameplate Specifications

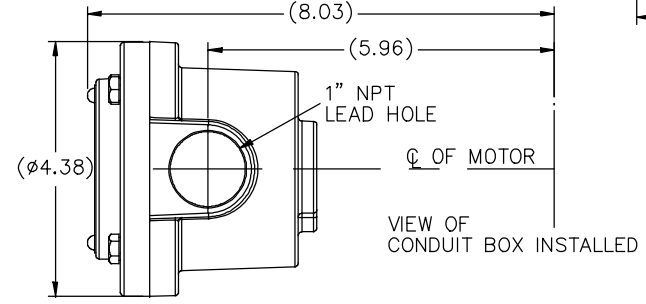
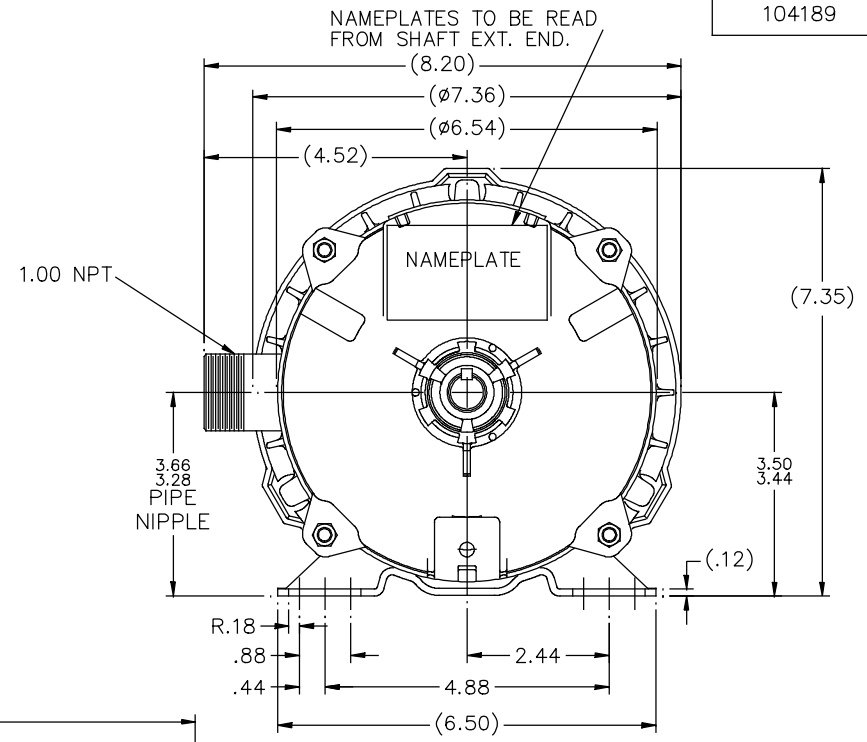
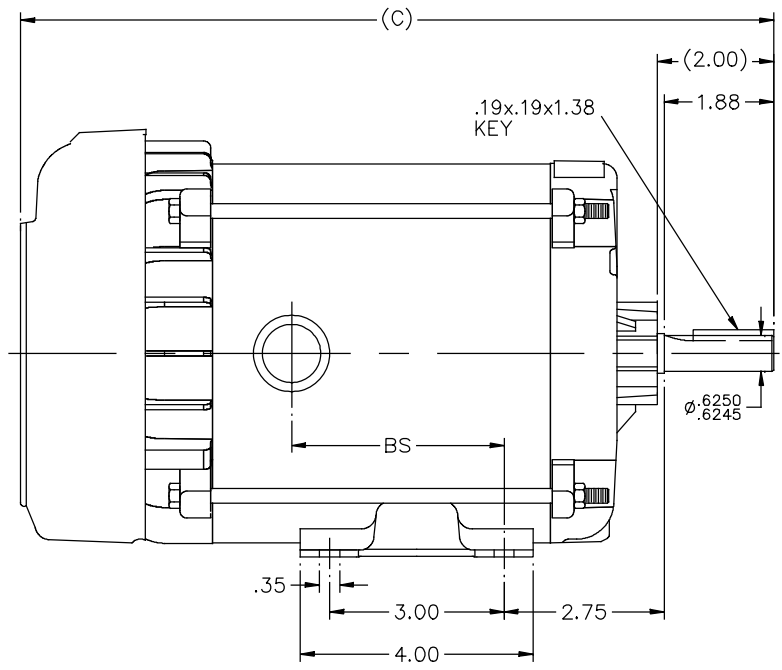
Output HP	0.75 Hp	Output KW	0.56 kW
Frequency	60 Hz	Voltage	115/208-230 V
Current	10.6/5.3-5.3 A	Speed	3450 rpm
Service Factor	1	Phase	1
Efficiency	66 %	Duty	Continuous
Insulation Class	B	Design Code	NO DESIGN CODE
KVA Code	M	Frame	56
Enclosure	Explosion Proof Fan cooled	Overload Protector	Automatic
Ambient Temperature	40 °C	Drive End Bearing Size	6203
Opp Drive End Bearing Size	6203	UL	Recognized
CSA	N	CE	N
IP Code	54		

Technical Specifications

Electrical Type	Capacitor Start Induction Run	Starting Method	Across The Line
Poles	2	Rotation	Selective Clockwise
Mounting	Rigid base	Motor Orientation	Horizontal
Drive End Bearing	Ball	Opp Drive End Bearing	Ball
Frame Material	Rolled Steel	Shaft Type	NEMA 56
Overall Length	13.94 in	Frame Length	6.81 in
Shaft Diameter	0.625 in	Shaft Extension	2 in
Assembly/Box Mounting	F1 Only		
Outline Drawing	B-104189-681	Connection Diagram	102005-109

This is an uncontrolled document once printed or downloaded and is subject to change without notice. Date Created: 07/02/2018

104189

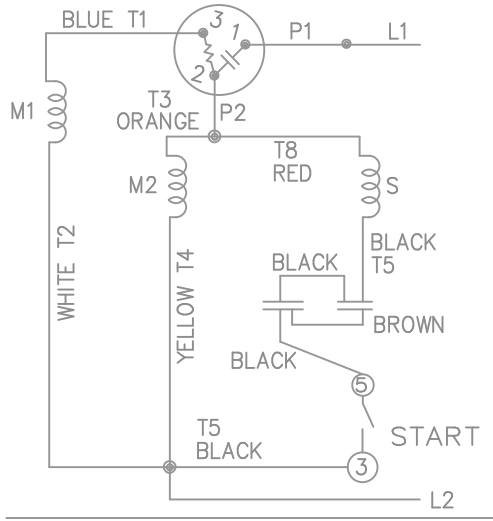


DASH	(C)	BS			
631	13.44	4.15			
681	13.94	4.65			
731	14.44	5.15			
781	14.94	5.65			
831	15.44	6.15			
881	15.94	6.65			
931	16.44	7.15			
981	16.94	7.65			

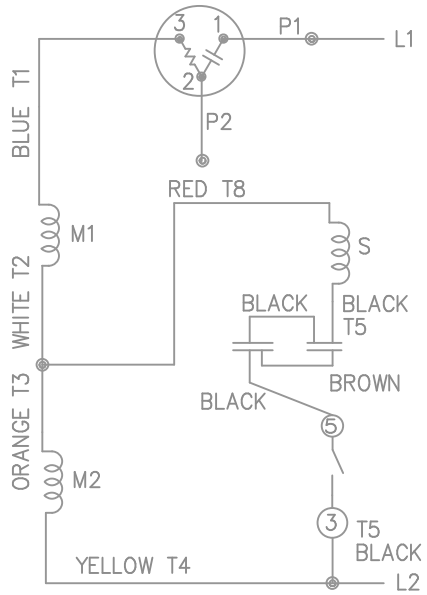
				TOLERANCES UNLESS SPECIFIED		DRAWN MH 11-20-1996	
				DEC.	INCHES	CHK	ML 12-02-1996
4	COND. BOX INSTALLED VIEW UPDATED PER ECR-0044571	UD	10/15/13	ST	.X	±.1	APPD GK 12-02-1996
3	REVISED C'BOX PER CN40784A	JJB	02/23/2007	ML	.XX	±.03	SCALE 1=2
2	ADDED CONDUIT BOX VIEW CN 26686	MRB	03-22-1998		.XXX	±.005	REF
1	NEW DRAWING CN 23099	MH	12-02-1996		.XXXX	±.0005	FMF
NO.	REVISION	BY & DATE		CHK	ANG	±7'30"	PREV
THIS DRAWING IN DESIGN AND DETAIL IS OUR PROPERTY AND MUST NOT BE USED EXCEPT IN CONNECTION WITH OUR WORK. ALL RIGHTS OF DESIGN AND INVENTION ARE RESERVED. THIS IS AN ELECTRONICALLY GENERATED DOCUMENT - DO NOT SCALE THIS PRINT				RFP	CAD FILE 104189		SIZE B
				DIST	WP	DRAWING NO. 104189	PAGE OF 4

REGAL™ Regal Beloit America, Inc.

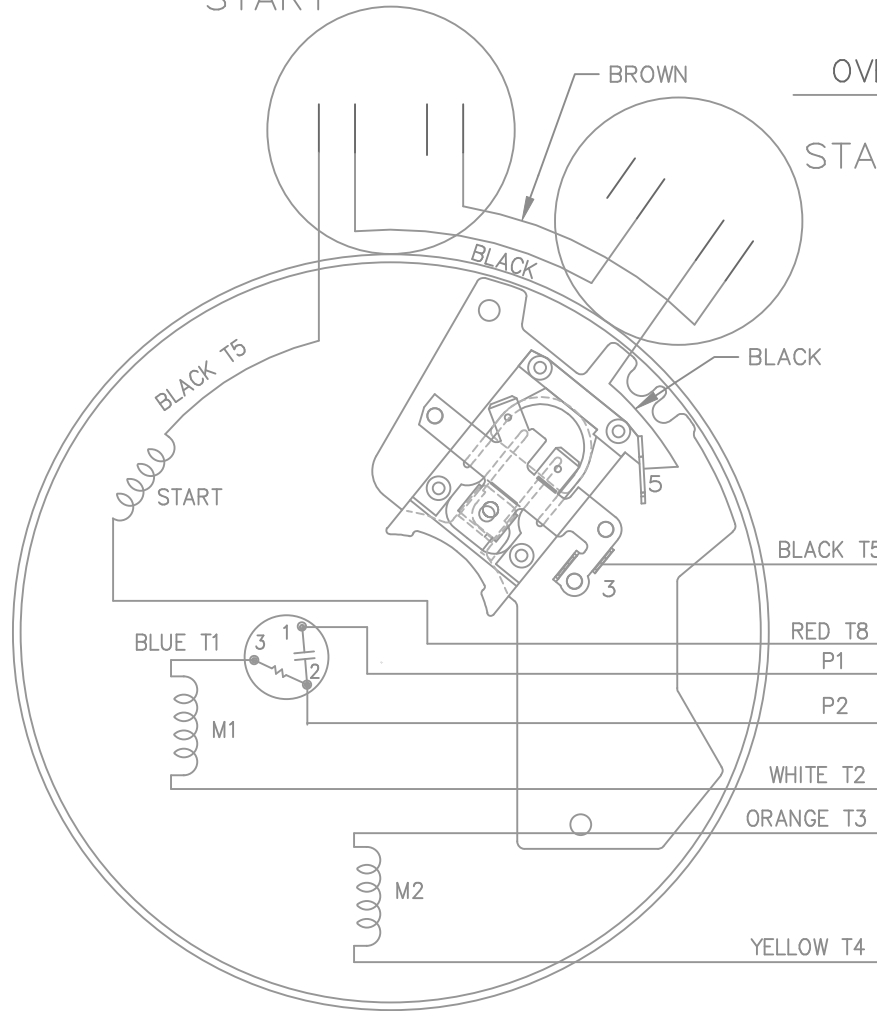
TITLE OUTLINE
56 FR. - EXP. PR. - TEFC - 1Ø & 3Ø



HIGH VOLTAGE - C.C.W.



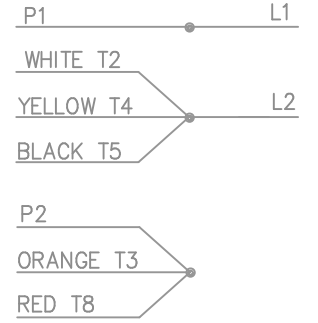
START



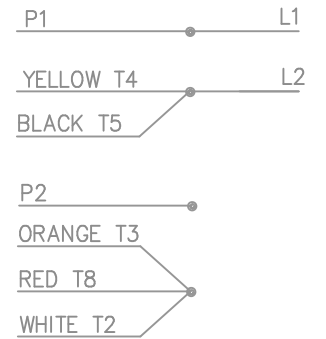
DUAL VOLTAGE
CAPACITOR START
OVERLOAD SELECT ROT.

START

LOW VOLT. - C.C.W. ROT.



HIGH VOLT. - C.C.W. ROT.



FOR C.W. ROTATION
EITHER VOLTAGE
INTERCHANGE RED(T8)
WITH BLACK(T5) LEAD

				TOLERANCES UNLESS SPECIFIED		MARATHON ELECTRIC	DRAWN MJD 02-11-1998					
				DEC.	INCHES		CHK	ML	02-19-1998			
				.X	± -	TITLE CONNECTION DIAGRAM	APPD	DAR	02-23-1998	SCALE	5=8	
2	REISSUE - CLARIFIED JUNCTION OF WHITE T2, BLACK T5 AND YELLOW T4 ON THE LOW VOLTAGE DIAGRAM	MSG 06-26-2007	ST	.XXX	± -		MAT'L.	REF				
1	NEW DRAWING MU18593	MJD 02-23-1998		.XXXX	± -		FINISH	FMF				
NO.	REVISION	BY & DATE	CHK	ANG	± -		PREV					
THIS DRAWING IN DESIGN AND DETAIL IS OUR PROPERTY AND MUST NOT BE USED EXCEPT IN CONNECTION WITH OUR WORK ALL RIGHTS OF DESIGN AND INVENTION ARE RESERVED THIS IS AN ELECTRONICALLY GENERATED DOCUMENT - DO NOT SCALE THIS PRINT				RFP		CAD FILE 102005_109	SIZE	DRAWING NO.	PAGE	OF	REV.	
				DIST	WP		A	102005-109			2	

CERTIFICATION DATA SHEET

Model#: 56C34G5309 J WINDING#: ZC204 R1 4
 CONN. DIAGRAM: 102005-109 ASSEMBLY: F1 ONLY
 OUTLINE: B-104189-681

TYPICAL MOTOR PERFORMANCE DATA

HP	KW	SYNC. RPM	F.L. RPM	FRAME	ENCLOSURE	KVA CODE	DESIGN
3/4	.56	3600	3450	56	EPFC	M	NO DESIGN CODE

PH	Hz	VOLTS	FL AMPS	START TYPE	DUTY	INSL	S.F	AMB°C	ELEVATION
1	60	115/208-230	10.6/5.3-5.3	ACROSS THE LINE	CONTINUOUS	B3	1.0	40	3300

FULL LOAD EFF: 66	3/4 LOAD EFF: 62.8	1/2 LOAD EFF: 55.5	GTD. EFF	ELEC. TYPE	NO LOAD AMPS
FULL LOAD PF: 71.9	3/4 LOAD PF: 62.8	1/2 LOAD PF: 53.5	0	CAP START IND RUN	7.3 / 3.7

F.L. TORQUE	LOCKED ROTOR AMPS	L.R. TORQUE	B.D. TORQUE	F.L. RISE°C
18 LB-FT	69.4 / 34.7	59.6 LB-FT 331	54.1 LB-FT 301	50

SOUND PRESSURE @ 3 FT.	SOUND POWER	ROTOR WK^2	MAX. WK^2	SAFE STALL TIME	STARTS /HOUR	APPROX. MOTOR WGT
- dBA	- dBA	0 LB-FT^2	- LB-FT^2	- SEC.	-	0 LBS.

*** SUPPLEMENTAL INFORMATION ***

DE BRACKET TYPE	ODE BRACKET TYPE	MOUNT TYPE	ORIENTATION	SEVERE DUTY	HAZARDOUS LOCATION	DRIP COVER	SCREENS	PAINT
STANDARD	STANDARD	RIGID	HORIZONTAL	FALSE	EXP PROOF CL I GR C&D CL II GR F&G T3B	FALSE	NONE	GRAY (POWDER)

BEARINGS		GREASE	SHAFT TYPE	SPECIAL DE	SPECIAL ODE	SHAFT MATERIAL	FRAME MATERIAL
DE	OPE						
BALL	BALL	POLYREX EM	STANDARD 56	NONE	NONE	1144 STRESSPROOF (C-223)	ROLLED STEEL
6203	6203						

THERMO-PROTECTORS				THERMISTORS	CONTROL	SPACE /n HEATERS
THERMOSTATS	PROTECTORS	WDG RTDs	BRG RTDs			
NONE	AUTOMATIC	NONE	NONE	NONE	FALSE	NONE VOLTS

If Inverter equals NONE, contact factory for further information

*
N
O
T
E
S
*

INVERTER TORQUE: NONE
INV. HP SPEED RANGE: NONE
ENCODER: NONE
NONE NONE
NONE NONE PPR
BRAKE: NONE NONE
NONE P/N NONE
NONE NONE
NONE FT-LB NONE V NONE Hz

DATE: 06/27/2017 07:54:21 AM
 FORM 3531 REV.3 02/07/99
 ** Subject to change without notice.

