

# PRODUCT INFORMATION PACKET

Model No: 056C34W5303  
Catalog No: N524  
3/4,3450,TEFC,56C,1/60/115/208-230  
Washdown Duty



Regal and Marathon are trademarks of Regal Beloit Corporation or one of its affiliated companies.  
©2018 Regal Beloit Corporation, All Rights Reserved. MC017097E



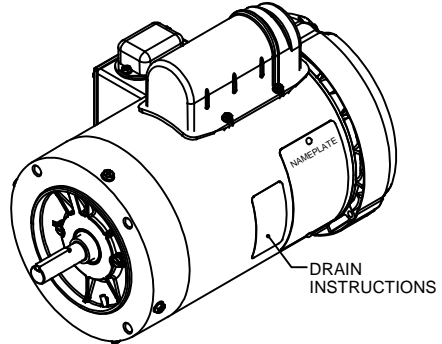
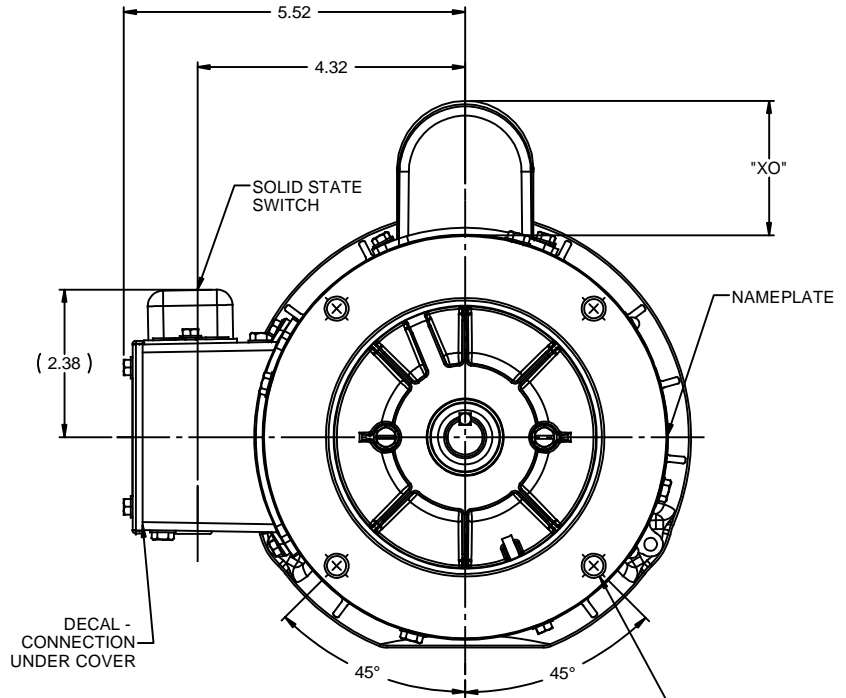
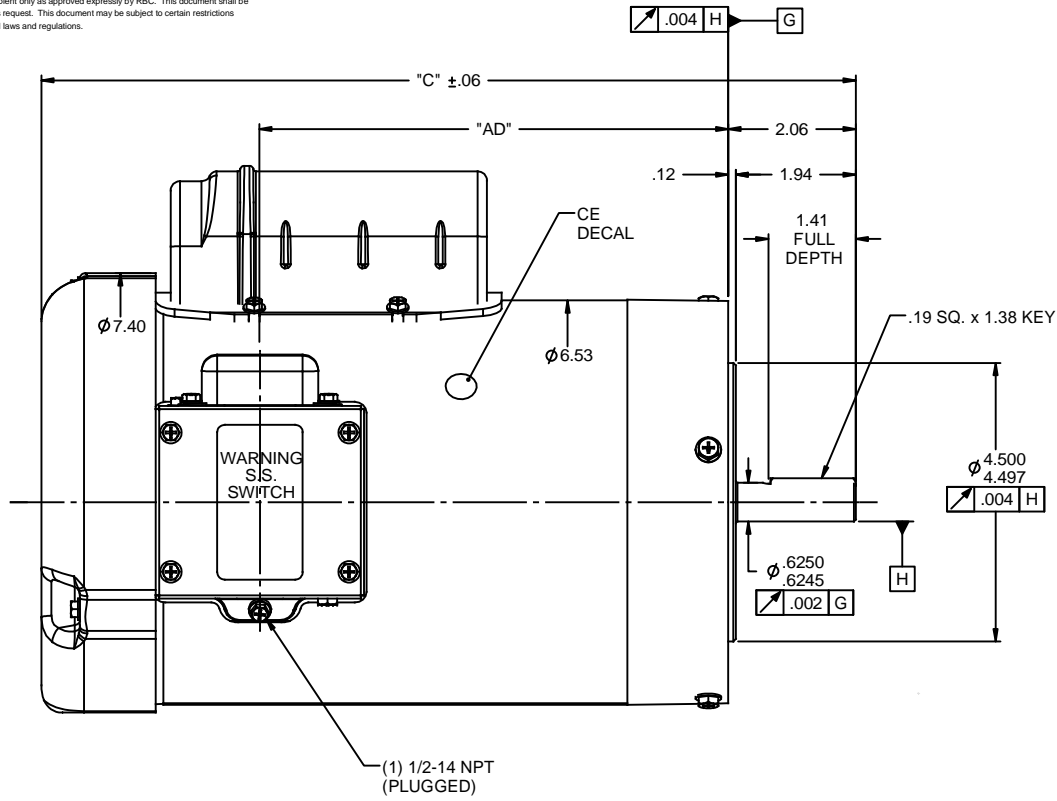
### Nameplate Specifications

Output HP	<b>0.75 Hp</b>	Output KW	<b>0.56 kW</b>
Frequency	<b>60 Hz</b>	Voltage	<b>115/208-230 V</b>
Current	<b>10.0/5.2-5.0 A</b>	Speed	<b>3450 rpm</b>
Service Factor	<b>1.15</b>	Phase	<b>1</b>
Efficiency	<b>64 %</b>	Duty	<b>Continuous</b>
Insulation Class	<b>F</b>	Design Code	<b>N</b>
KVA Code	<b>L</b>	Frame	<b>56C</b>
Enclosure	<b>Totally Enclosed Fan Cooled</b>	Overload Protector	<b>No</b>
Ambient Temperature	<b>40 °C</b>	Drive End Bearing Size	<b>6205</b>
Opp Drive End Bearing Size	<b>6203</b>	UL	<b>Recognized</b>
CSA	<b>Y</b>	CE	<b>N</b>
IP Code	<b>55</b>		

### Technical Specifications

Electrical Type	<b>Capacitor Start Induction Run</b>	Starting Method	<b>Across The Line</b>
Poles	<b>2</b>	Rotation	<b>Selective Counterclockwise</b>
Mounting	<b>Round</b>	Motor Orientation	<b>Horizontal</b>
Drive End Bearing	<b>Ball</b>	Opp Drive End Bearing	<b>Ball</b>
Frame Material	<b>Rolled Steel</b>	Shaft Type	<b>NEMA 56</b>
Overall Length	<b>11.41 in</b>	Frame Length	<b>5.75 in</b>
Shaft Diameter	<b>0.625 in</b>	Shaft Extension	<b>2.06 in</b>
Assembly/Box Mounting	<b>F1 Only</b>		
Outline Drawing	<b>028866ME-575B</b>	Connection Diagram	<b>00527807ME</b>

This is an uncontrolled document once printed or downloaded and is subject to change without notice. Date Created: 06/29/2018



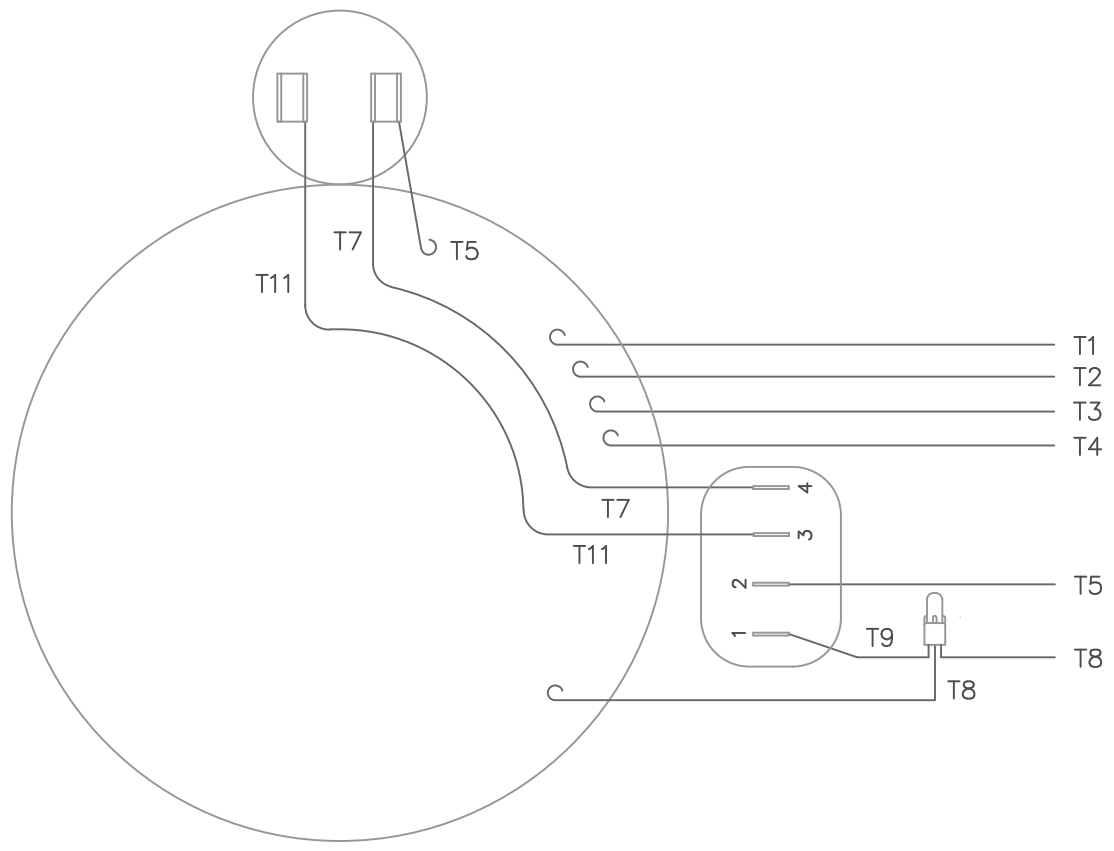
- NOTES:  
 1) SHAFT SEALS & V-RING.  
 2) PLUGGED DRAIN HOLES IN ENDBELLS & CONDUIT BOX.  
 3) GASKETS THROUGHOUT.  
 4) STAINLESS STEEL SHAFT, HARDWARE, & NAMEPLATE

DASH NO.	"C"	"AD"
450	10.16	4.56
475	10.41	4.81
500	10.66	5.06
550	11.16	5.56
575	11.41	5.81
600	11.66	6.06
625	11.91	6.31
650	12.16	6.56
700	12.66	7.06

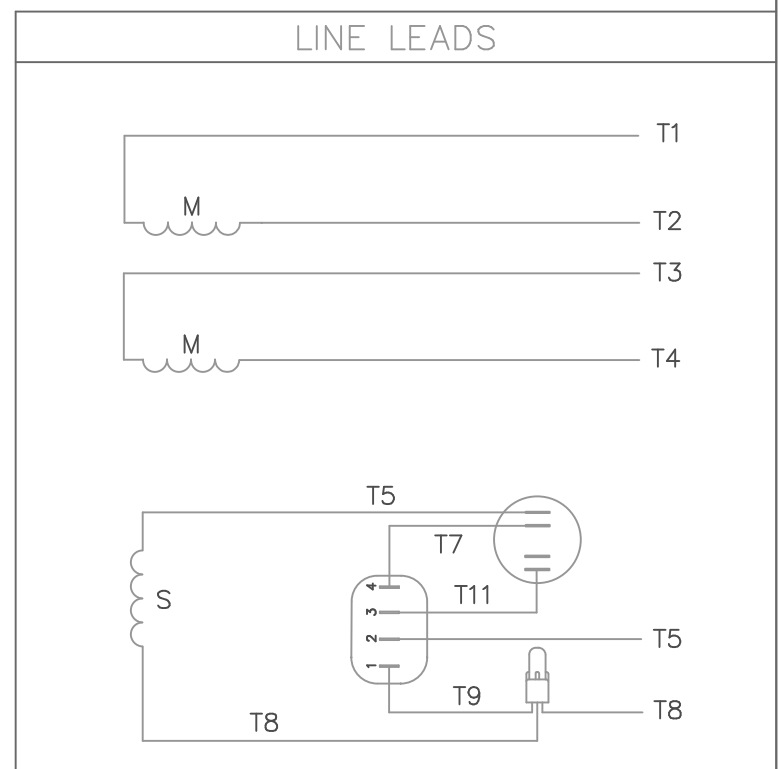
CAP. DASH	"XO"
A	1.54
B	2.01
C	2.25

REVISION		BY & DATE	CHK	ANG	±1/2°	FINISH	DRAWING NO		REV
THIRD ANGLE PROJECTION			RFP			PREV	B		
			NETWORK FILE NAME		028866ME		028866ME		

**LEESON** ELECTRIC MOTORS  
 ELECTRIC MOTORS  
 ELECTRIC MOTORS  
 DRAWN LST 3/19/11  
 CHK  
 APPR  
 SCALE 1:2  
 REF  
 FMF  
 PAGE 1 OF 1



VIEW FROM OUTSIDE OF MOTOR AT SWITCH END.



	ROTATION FACING LEAD END	L1	L2	JOIN & INSULATE
HIGH VOLT	C.C.W.	T1	T4 T5	T2,T3 T8
	C.W.	T1	T4 T8	T2,T3 T5
LOW VOLT	C.C.W.	T1,T3 T8	T2,T4 T5	
	C.W.	T1,T3 T5	T2,T4 T8	

		TOLERANCES UNLESS SPECIFIED		DRAWN LST 1/19/09						
		DEC.	INCHES	CHK						
		.X	±.1	APPD						
		.XX	±.01	SCALE 1=1						
		.XXX	±.005	REF						
		.XXXX	±.0005	FMF						
NO.	REVISION	BY & DATE	CHK	ANG	±1/2'	FINISH	PREV			
			RFP			CAD FILE 00527807ME	SIZE A	DRAWING NO. 005278-07ME	PAGE OF	REV.
			DIST							

THIS DRAWING IN DESIGN AND DETAIL IS OUR PROPERTY AND MUST NOT BE USED EXCEPT IN CONNECTION WITH OUR WORK ALL RIGHTS OF DESIGN AND INVENTION ARE RESERVED THIS IS AN ELECTRONICALLY GENERATED DOCUMENT - DO NOT SCALE THIS PRINT

