

PRODUCT INFORMATION PACKET

Model No: 056H17F2014
Catalog No: Y521
1,1725,TEFC,56,3/60/230
1000:1 Speed Ratio



Regal and Marathon are trademarks of Regal Beloit Corporation or one of its affiliated companies.

©2018 Regal Beloit Corporation, All Rights Reserved. MC017097E





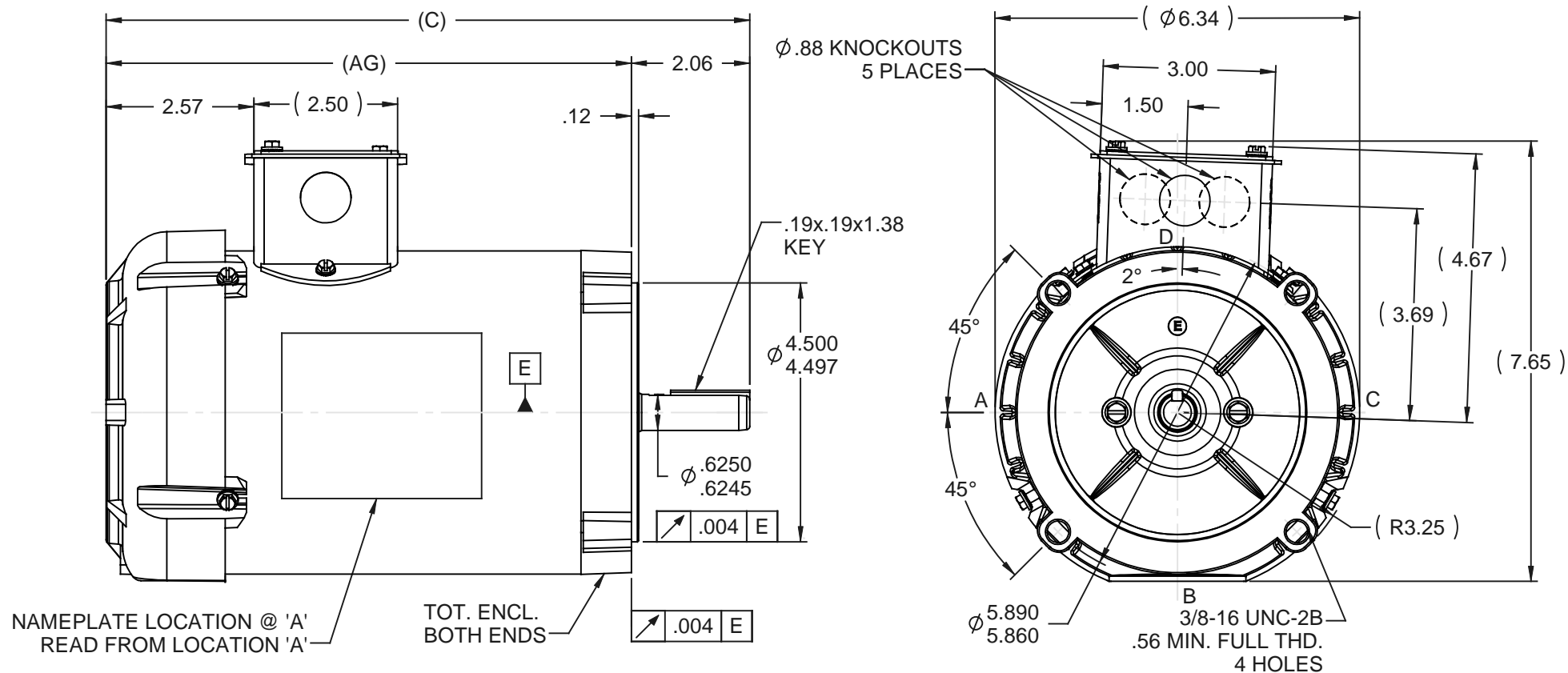
Nameplate Specifications

Output HP	1 Hp	Output KW	0.75 kW
Frequency	60 Hz	Voltage	230 V
Current	3.2 A	Speed	1725 rpm
Service Factor	1	Phase	3
Efficiency	78.5 %	Duty	Continuous
Insulation Class	H	Design Code	INV
KVA Code	K	Frame	56C
Enclosure	Totally Enclosed Fan Cooled	Overload Protector	No
Ambient Temperature	40 °C	Drive End Bearing Size	6203
Opp Drive End Bearing Size	6203	UL	Recognized
CSA	Y	CE	Y
IP Code	43		

Technical Specifications

Electrical Type	Squirrel Cage Inverter Duty	Starting Method	Inverter Only
Poles	4	Rotation	Reversible
Mounting	Round	Motor Orientation	Horizontal
Drive End Bearing	Ball	Opp Drive End Bearing	Ball
Frame Material	Rolled Steel	Shaft Type	NEMA 56
Overall Length	12.44 in	Frame Length	7.50 in
Shaft Diameter	0.625 in	Shaft Extension	2.06 in
Assembly/Box Mounting	F3		
Outline Drawing	A-SS403148-750	Connection Diagram	A-EE7300

This is an uncontrolled document once printed or downloaded and is subject to change without notice. Date Created: 06/29/2018



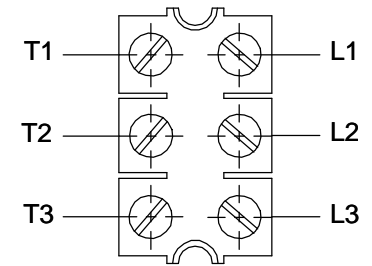
DASH	C	AG
500	9.94	7.88
525	10.19	8.13
575	10.69	8.63
625	11.19	9.13
750	12.44	10.38

				TOLERANCES UNLESS SPECIFIED				DRAWN DRS 05-21-2001		
				DEC	INCHES			CHK ML 05-25-2001	APPR TOM 05-25-2001	
				.X	±.1	TITLE OUTLINE		SCALE 3:8		
				.XX	±.03			REF		
2	REDRAWN ON SOLIDWORKS	DRS 05-17-2005	ML	.XXX	±.005	MAT'L		FMF		
1	NEW DRAWING	DRS 05-25-2001		.XXXX	±.0005			FINISH		PREV
NO	REVISION	BY & DATE	CHK	ANG	±7'30"			SIZE	DRAWING NO	REV
THIS DRAWING IN DESIGN AND DETAIL IS OUR PROPERTY AND MUST NOT BE USED EXCEPT IN CONNECTION WITH OUR WORK. ALL RIGHTS OF DESIGN AND INVENTION ARE RESERVED. THIS IS AN ELECTRONICALLY GENERATED DOCUMENT - DO NOT SCALE THIS PRINT						RFP	CAD FILE SS403148	A	SS403148	2
						DIST	WP			

**THREE PHASE - SINGLE VOLTAGE
MOTOR - CONDUIT BOX @ 'A'**

**TO REVERSE ROTATION:
INTERCHANGE ANY TWO
LINE LEAD CONNECTIONS.**

TERMINAL BLOCK WHEN SPECIFIED



VIEW OF TERMINAL END

**IF MOTOR HAS
6 LEADS**



A-9806 DECAL

**OPTIONAL CORD
CONNECTION**

- L1 WHITE
- L2 RED
- L3 BLACK

DRAWING REVISION AB	REVISION BY JJB	DATE 06-27-2017
ECO ECO-0125361	APPROVED BY TB	DATE 06-27-2017
ECO DESCRIPTION UPDATED TO CURRENT STANDARDS		
<small>COPYRIGHT REGAL BELOIT AMERICA, INC. ALL RIGHTS RESERVED. PROPRIETARY AND CONFIDENTIAL INFORMATION - THIS DOCUMENT IS THE PROPERTY OF REGAL BELOIT AMERICA, INC. ("OWNER") AND CONTAINS OWNER'S PROPRIETARY INFORMATION. ANY PERSON, CORPORATION OR OTHER FIRM RECEIVING IT IS DEEMED, BY RECEIVING IT, TO AGREE THAT IT, AND/OR ANY PART OF IT, SHALL NOT BE DISCLOSED TO ANY PERSON, CORPORATION OR OTHER ENTITY, DUPLICATED, AND/OR USED, EXCEPT AS EXPRESSLY APPROVED IN WRITING IN ADVANCE BY OWNER. THIS DOCUMENT SHALL BE RETURNED TO OWNER UPON REQUEST. IT MAY BE SUBJECT TO CERTAIN RESTRICTIONS UNDER APPLICABLE EXPORT CONTROL LAWS AND REGULATIONS.</small>		



DRAWN BY DA
DATE 03-26-1993
APPROVED BY TB
DATE 03-26-1993
REFERENCE
THIRD ANGLE PROJECTION

Regal Beloit America, Inc.		
		DESCRIPTION CONNECTION DIAGRAM EXTERNAL - SINGLE VOLTAGE - 3Ø MOTOR
MATERIAL	PROCESS/FINISH	
SIZE A	DRAWING NUMBER EE7300	SHEET 1 OF 1

CERTIFICATION DATA SHEET

Model#: 56H17F2014 A WINDING#: TE48421 R1 2
CONN. DIAGRAM: A-EE7300 ASSEMBLY: F3
OUTLINE: A-SS403148-750

TYPICAL MOTOR PERFORMANCE DATA

Table with 8 columns: HP, KW, SYNC. RPM, F.L. RPM, FRAME, ENCLOSURE, KVA CODE, DESIGN. Values: 1, .75, 1800, 1725, 56C, TEFC, K, INV.

Table with 10 columns: PH, Hz, VOLTS, FL AMPS, START TYPE, DUTY, INSL, S.F, AMB°C, ELEVATION. Values: 3, 60, 230, 3.2, INVERTER ONLY, CONTINUOUS, H1, 1.0, 40, 3300.

Table with 6 columns: FULL LOAD EFF: 78.5, 3/4 LOAD EFF: 76.5, 1/2 LOAD EFF: 72.5, GTD. EFF, ELEC. TYPE, NO LOAD AMPS. Values: 77.5, 71, 60, 75.5, SQ CAGE INV DUTY, 1.8.

Table with 5 columns: F.L. TORQUE, LOCKED ROTOR AMPS, L.R. TORQUE, B.D. TORQUE, F.L. RISE°C. Values: 3 LB-FT, 23, 12.5 LB-FT 417, 12 LB-FT 400, 65.

Table with 7 columns: SOUND PRESSURE @ 3 FT., SOUND POWER, ROTOR WK^2, MAX. WK^2, SAFE STALL TIME, STARTS /HOUR, APPROX. MOTOR WGT. Values: 60 dBA, 70 dBA, 0.09 LB-FT^2, 0 LB-FT^2, 0 SEC., 0, - LBS.

EQUIVALENT WYE CKT.PARAMETERS (OHMS PER PHASE)

Table with 5 columns: R1, R2, X1, X2, XM. Values: 10.8204, 10.934, 12.354, 7.4692, 292.52.

Table with 5 columns: RM, ZREF, XR, TD, TD0. Values: 9514, 284, 1.43, 0.0036, 0.073.

*** SUPPLEMENTAL INFORMATION ***

Table with 9 columns: DE BRACKET TYPE, ODE BRACKET TYPE, MOUNT TYPE, ORIENTATION, SEVERE DUTY, HAZARDOUS LOCATION, DRIP COVER, SCREENS, PAINT. Values: C-FACE, STANDARD, ROUND, HORIZONTAL, FALSE, NONE, FALSE, NONE, BLACK (POWDER).

Table with 8 columns: BEARINGS, GREASE, SHAFT TYPE, SPECIAL DE, SPECIAL ODE, SHAFT MATERIAL, FRAME MATERIAL. Values: BALL, BALL, POLYREX EM, STANDARD 56, NONE, NONE, 1144 STRESSPROOF (C-223), ROLLED STEEL.

Table with 7 columns: THERMO-PROTECTORS, THERMISTORS, CONTROL, SPACE /n HEATERS. Values: NONE, NOT, NONE, NONE, NONE, FALSE, NONE VOLTS.

If Inverter equals NONE, contact factory for further information

NOTES

Table with 2 columns: INVERTER TORQUE: CONSTANT 20:1, INV. HP SPEED RANGE: 2.0 X BASE SPEED, ENCODER: NONE, NONE NONE, NONE NONE PPR, BRAKE: NONE NONE.

NONE	P/N	NONE	
NONE	NONE		
NONE FT-LB	NONE V	NONE Hz	

DATE: 06/28/2017 12:54:11 AM
FORM 3531 REV.3 02/07/99
** Subject to change without notice.