

PRODUCT INFORMATION PACKET

Model No: 080T17FH5327

Catalog No: R313

1 HP General Purpose, 3 phase, 1800 RPM, 230/460 V, 80TZ Frame, TEFC
Aluminium TEFC Motors





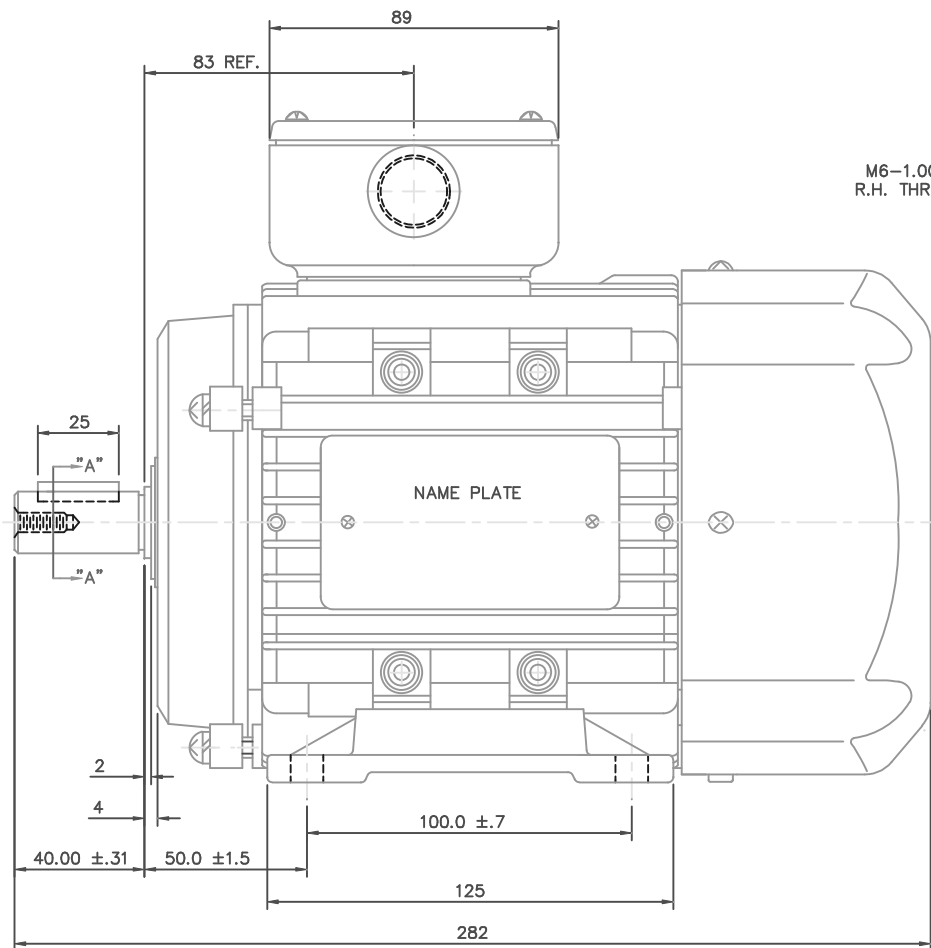
Nameplate Specifications

Output HP	1 Hp	Output KW	0.75 kW
Frequency	60 Hz	Voltage	230/460 V
Current	3.2/1.6 A	Speed	1725 rpm
Service Factor	1.15	Phase	3
Efficiency	80 %	Power Factor	80
Duty	Continuous	Insulation Class	F
Design Code	B	KVA Code	J
Frame	80TZ	Enclosure	Totally Enclosed Fan Cooled
Thermal Protection	No	Ambient Temperature	40 °C
Drive End Bearing Size	6204	Opp Drive End Bearing Size	6204
UL	Recognized	CSA	Y
CE	Y	IP Code	55

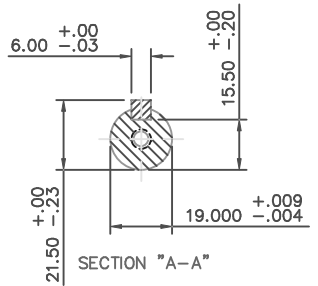
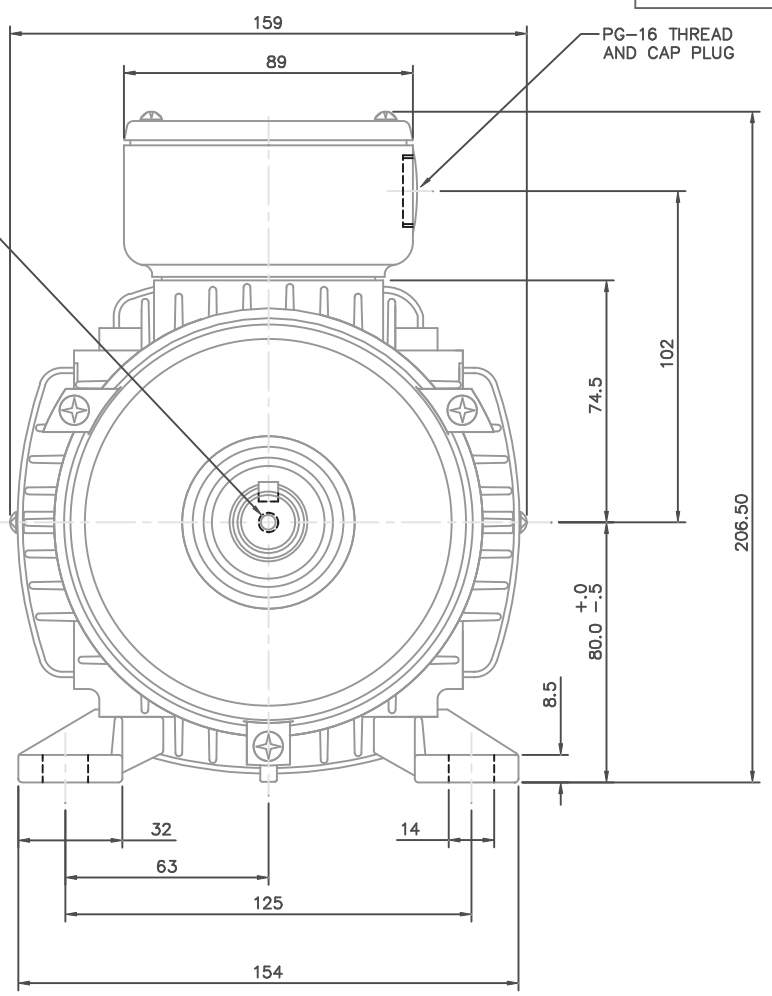
Technical Specifications

Electrical Type	Squirrel Cage Inverter Rated	Starting Method	Line Or Inverter
Poles	4	Rotation	Reversible
Resistance Main	3.18 Ohms	Mounting	Rigid Base
Motor Orientation	Horizontal	Drive End Bearing	Ball
Opp Drive End Bearing	Ball	Frame Material	Aluminum
Shaft Type	IEC	Overall Length	11.10 in
Frame Length	5.31 in	Shaft Diameter	0.750 in
Shaft Extension	1.57 in	Assembly/Box Mounting	F3

This is an uncontrolled document once printed or downloaded and is subject to change without notice. Date Created:01/11/2019

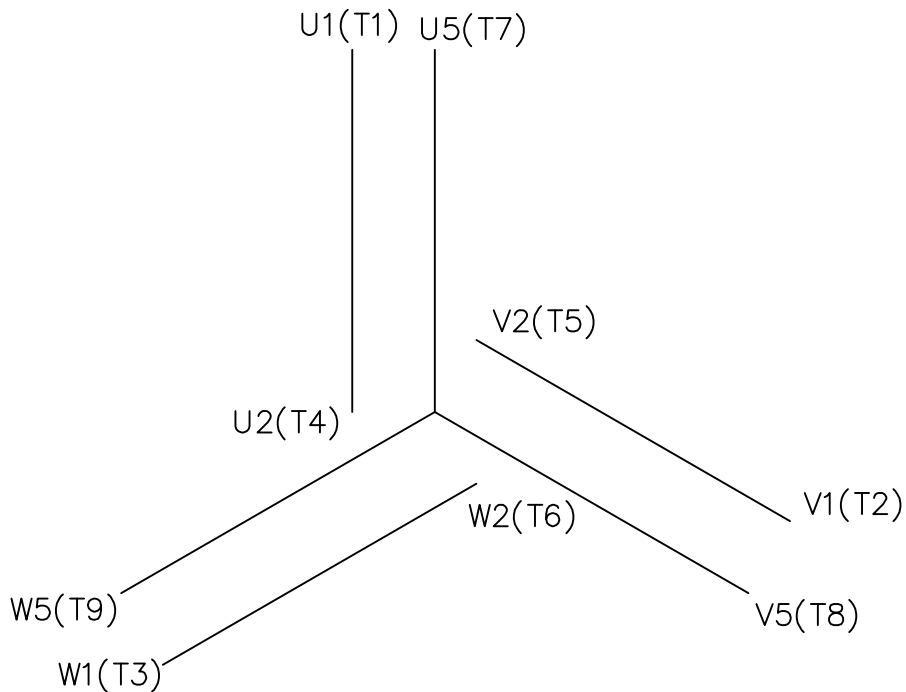


M6-1.00 x 16 DEEP
R.H. THREADED SHAFT



NO.		REVISION	BY & DATE	CHK	ANG	±7'30"	FINISH	PREV			
THIS DRAWING IN DESIGN AND DETAIL IS OUR PROPERTY AND MUST NOT BE USED EXCEPT IN CONNECTION WITH OUR WORK. ALL RIGHTS OF DESIGN AND INVENTION ARE RESERVED. THIS IS AN ELECTRONICALLY GENERATED DOCUMENT - DO NOT SCALE THIS PRINT				RFP			CAD FILE	16986100ME	SIZE	DRAWING NO.	REV.
				DIST				B	169861-00ME		

TOLERANCES UNLESS SPECIFIED			DRAWN	RDW 2/4/04
DEC.	METRIC		CHK	
.X	±2.5		APPD	SW 2/4/04
.XX	±.76		SCALE	1=1.5
.XXX	±.127		REF	OSVC-300-552
.XXXX	±.0127	FMT		
		TITLE	METRIC OUTLINE, IMB3 IEC-80 FRAME TEFC	
		MAT'L	ALUMINUM	



REF. DECAL (IEC) 080644
REF. DECAL (NEMA) 080446

IEC MARKINGS

LOW VOLTAGE			HIGH VOLTAGE			
LINE VOLTAGE	L1	L2	L3	JOIN		
TERMINAL	U1	V1	W1	W2	U2	V2
LOW	U1,U5	V1,V5	W1,W5	----	U2,V2,W2	----
HIGH	U1	V1	W1	U2,U5	V2,V5	W2,W5

NEMA MARKINGS

LOW VOLTAGE			HIGH VOLTAGE			
LINE VOLTAGE	L1	L2	L3	JOIN		
TERMINAL	U1	V1	W1	W2	U2	V2
LOW	T1, T7	T2, T8	T3, T9	----	T4,T5,T6	----
HIGH	T1	T2	T3	T4, T7	T5, T8	T6, T9

				TOLERANCES UNLESS SPECIFIED				DRAWN JGO 3/10/04		
				DEC.	INCHES			CHK SB 02-17-2010		
				.X	±.1			APPD MJS 02-17-2010		
				.XX	±.01			SCALE 1=1		
				.XXX	±.005			REF		
				.XXXX	±.0005	MAT'L. IEC/NEMA MARKINGS		FMF		
NO.	REVISION	BY & DATE	CHK	ANG	±1/2'	FINISH		PREV		
THIS DRAWING IN DESIGN AND DETAIL IS OUR PROPERTY AND MUST NOT BE USED EXCEPT IN CONNECTION WITH OUR WORK ALL RIGHTS OF DESIGN AND INVENTION ARE RESERVED THIS IS AN ELECTRONICALLY GENERATED DOCUMENT - DO NOT SCALE THIS PRINT				RFP	02-17-2010	CAD FILE 00546501ME		SIZE	DRAWING NO.	REV.
				DIST				A	005465ME-01	