

# PRODUCT INFORMATION PACKET

Model No: 143TTVD5326

Catalog No: N403

1 HP Washdown Motor, 3 phase, 1800 RPM, 208-230/460 V, 143TC Frame, TENV  
Washdown Duty Motors





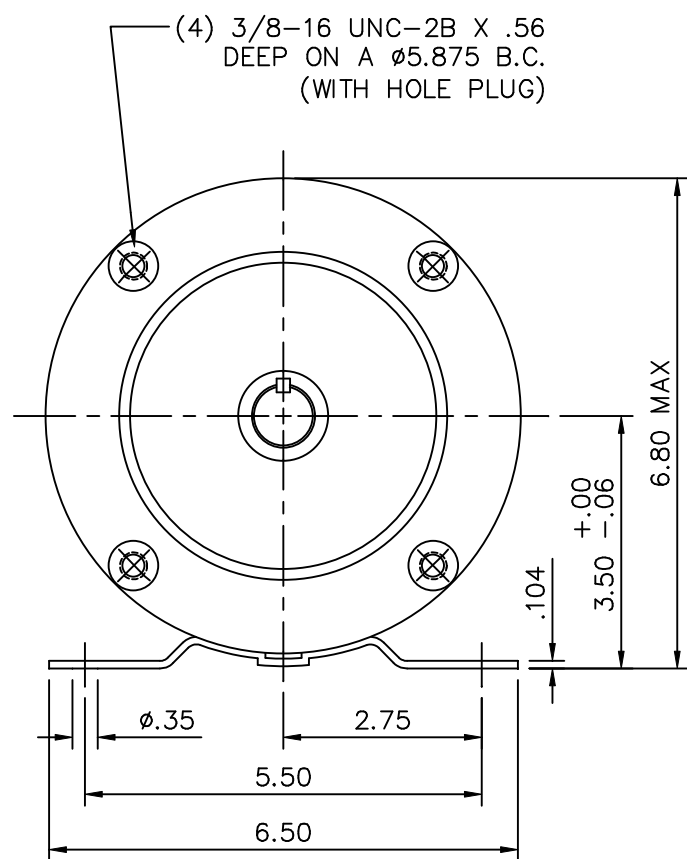
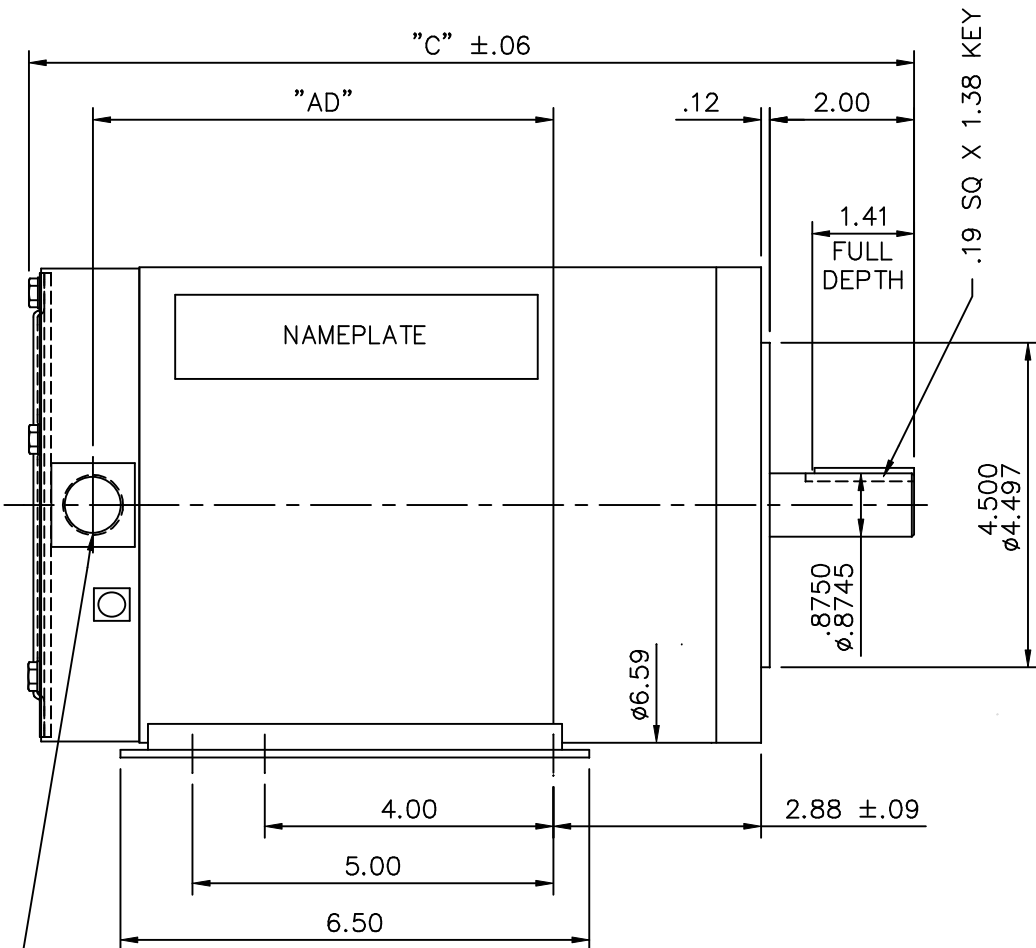
**Nameplate Specifications**

Output HP	<b>1 Hp</b>	Output KW	<b>0.75 kW</b>
Frequency	<b>60 Hz</b>	Voltage	<b>208-230/460 V</b>
Current	<b>3.1-3.0/1.5 A</b>	Speed	<b>1725 rpm</b>
Service Factor	<b>1.15</b>	Phase	<b>3</b>
Efficiency	<b>81.5 %</b>	Power Factor	<b>77</b>
Duty	<b>Continuous</b>	Insulation Class	<b>F</b>
Design Code	<b>B</b>	KVA Code	<b>K</b>
Frame	<b>143TC</b>	Enclosure	<b>Totally Enclosed Non Ventilated</b>
Thermal Protection	<b>No</b>	Ambient Temperature	<b>40 °C</b>
Drive End Bearing Size	<b>6205</b>	Opp Drive End Bearing Size	<b>6203</b>
UL	<b>Recognized</b>	CSA	<b>Y</b>
CE	<b>Y</b>	IP Code	<b>55</b>

**Technical Specifications**

Electrical Type	<b>Squirrel Cage Induction Run</b>	Starting Method	<b>Across The Line</b>
Poles	<b>4</b>	Rotation	<b>Reversible</b>
Resistance Main	<b>13.76 Ohms</b>	Mounting	<b>Rigid Base</b>
Motor Orientation	<b>Horizontal</b>	Drive End Bearing	<b>Ball</b>
Opp Drive End Bearing	<b>Ball</b>	Frame Material	<b>Stainless Steel</b>
Shaft Type	<b>T</b>	Overall Length	<b>13.61 in</b>
Shaft Diameter	<b>0.875 in</b>	Shaft Extension	<b>1.99 in</b>
Assembly/Box Mounting	<b>F1/F2 CAPABLE</b>		

This is an uncontrolled document once printed or downloaded and is subject to change without notice. Date Created:01/11/2019



(1) 1/2-14 NPT  
(PLUGGED)

MAXIMUM FACE RUNOUT TO BE .004 T.I.R.  
MAXIMUM PILOT ECCENTRICITY .004 T.I.R.  
PERMISSIBLE SHAFT RUNOUT .002 T.I.R.

DASH NO.	"C"	"AD"
800	12.61	6.38
850	13.11	6.88
900	13.61	7.38
950	14.11	7.88

**ALL-STAINLESS**  
VITON O-RINGS IN ENDBELL RABBETS  
VITON SHAFT SEAL  
BREATHER PLUGS IN L.E. ENDBELL  
ALL STAINLESS STEEL CONSTRUCTION

			TOLERANCES UNLESS SPECIFIED		MARATHON ELECTRIC	DRAWN JJK 12/21/04	
			DEC.	INCHES		CHK	
			.X	±.1	TITLE OUTLINE - 140TC FRAME TENV - RIGID "C"	APPD	
			.XX	±.03		SCALE	3=8
			.XXX	±.005		REF	028567
			.XXXX	±.0005		MAT'L.	FMF 143TTVD5326
NO.	REVISION	BY & DATE	CHK	ANG	FINISH	STOCK	PREV
			RFP	12/21/04	CAD FILE	028665	SIZE A
						DRAWING NO.	028665
						REV.	

VIEW FROM OUTSIDE OF MOTOR AT SWITCH END.



VOLTAGE	L1	L2	L3	JOIN & INSULATE
HIGH	T1	T2	T3	(T4,T7) (T5,T8) (T6,T9)
LOW	T1,T7	T2,T8	T3,T9	T4,T5,T6

		TOLERANCES UNLESS SPECIFIED		DRAWN RDW 04/12/02					
		DEC.	INCHES	CHK					
		.X	±.1	APPD					
		.XX	±.01	SCALE 1=1					
		.XXX	±.005	REF FIG.2-51					
		.XXXX	±.0005	FMF					
NO.	REVISION	BY & DATE	CHK	ANG	FINISH	PREV			
				±1/2'					
THIS DRAWING IN DESIGN AND DETAIL IS OUR PROPERTY AND MUST NOT BE USED EXCEPT IN CONNECTION WITH OUR WORK ALL RIGHTS OF DESIGN AND INVENTION ARE RESERVED THIS IS AN ELECTRONICALLY GENERATED DOCUMENT - DO NOT SCALE THIS PRINT			RFP	04/12/02	CAD FILE	00501001ME	SIZE	DRAWING NO.	REV.
			DIST				A	005010-01ME	



TITLE EXTERNAL WIRING DIAGRAM  
3 PHASE W/O PROTECTOR  
MAT'L. DECAL - 004014