

# PRODUCT INFORMATION PACKET

Model No: 145TBFR5301  
Catalog No: I204  
3,3600,TEFC,145T,1/60/208-230  
Totally Enclosed Fan Cooled (TEFC)



Regal and Marathon are trademarks of Regal Beloit Corporation or one of its affiliated companies.  
©2018 Regal Beloit Corporation, All Rights Reserved. MC017097E



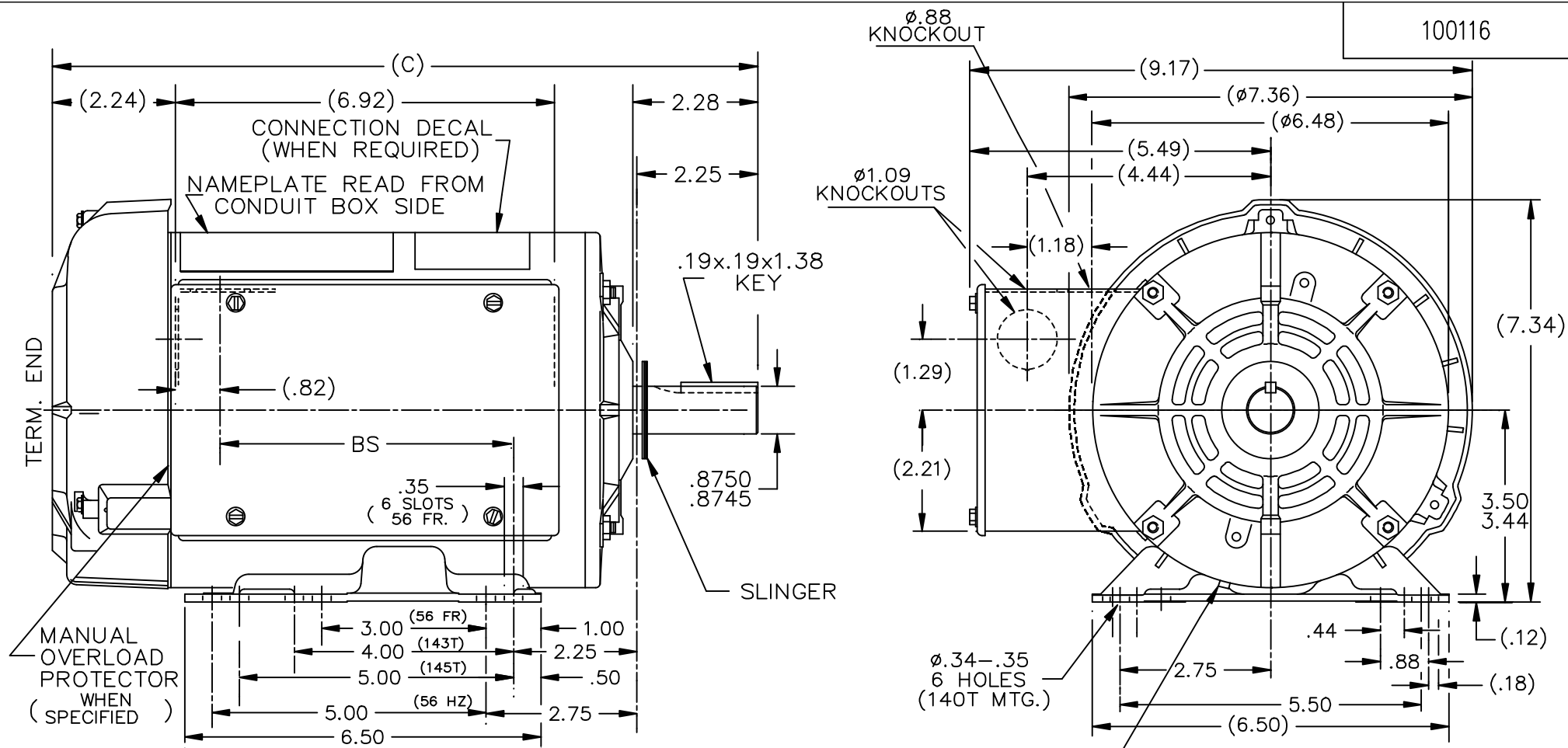
### Nameplate Specifications

Output HP	<b>3 Hp</b>	Output KW	<b>2.2 kW</b>
Frequency	<b>60 Hz</b>	Voltage	<b>208-230 V</b>
Current	<b>13.1-11.8 A</b>	Speed	<b>3510 rpm</b>
Service Factor	<b>1.15</b>	Phase	<b>1</b>
Efficiency	<b>84 %</b>	Duty	<b>Continuous</b>
Insulation Class	<b>B</b>	Design Code	<b>L</b>
KVA Code	<b>H</b>	Frame	<b>145T</b>
Enclosure	<b>Totally Enclosed Fan Cooled</b>	Overload Protector	<b>No</b>
Ambient Temperature	<b>40 °C</b>	Drive End Bearing Size	<b>6205</b>
Opp Drive End Bearing Size	<b>6203</b>	UL	<b>Recognized</b>
CSA	<b>Y</b>	CE	<b>N</b>
IP Code	<b>43</b>		

### Technical Specifications

Electrical Type	<b>Capacitor Start Capacitor Run</b>	Starting Method	<b>Across The Line</b>
Poles	<b>2</b>	Rotation	<b>Selective Counterclockwise</b>
Mounting	<b>Rigid base</b>	Motor Orientation	<b>Horizontal</b>
Drive End Bearing	<b>Ball</b>	Opp Drive End Bearing	<b>Ball</b>
Frame Material	<b>Rolled Steel</b>	Shaft Type	<b>T</b>
Overall Length	<b>14.87 in</b>	Shaft Diameter	<b>0.875 in</b>
Shaft Extension	<b>2.28 in</b>	Assembly/Box Mounting	<b>F1 Only</b>
Outline Drawing	<b>A-100116-956</b>	Connection Diagram	<b>102006-72</b>


This is an uncontrolled document once printed or downloaded and is subject to change without notice. Date Created: 06/29/2018



100116

DASH	FR.	C	BS	DASH	FR.	C	BS
				806	140T/56HZ	13.37	5.82
				856	"	13.87	6.32
				906	"	14.37	6.82
756	140T/56HZ	12.87	5.32	956	"	14.87	7.32

				TOLERANCES UNLESS SPECIFIED		DRAWN RM 08-12-1991	
				DEC.	INCHES	CHK ML 08-12-1991	
07	ADDED DRAIN HOLE NOTE PER ECN#24221	PN 4/26/2012	SVL	.X	±.1	APPD GK 08-12-1991	
06	ADDED HEIGHT DIMENSION (7.34)	RJW 09-12-2005	ML	.XX	±.03	SCALE 1=2.75	
05	ADDED CONN DECAL CN13879	KJC 03-26-2003	ML	.XXX	±.005	REF	
04	REDRAWN ON CADD	RM 08-12-1991		.XXXX	±.0005	FMF	
NO.	REVISION	BY & DATE	CHK	ANG	±'7'30"	PREV	
THIS DRAWING IN DESIGN AND DETAIL IS OUR PROPERTY AND MUST NOT BE USED EXCEPT IN CONNECTION WITH OUR WORK ALL RIGHTS OF DESIGN AND INVENTION ARE RESERVED THIS IS AN ELECTRONICALLY GENERATED DOCUMENT - DO NOT SCALE THIS PRINT				RFP	CAD FILE 100116	SIZE A	DRAWING NO. 100116
				DIST WP		PAGE OF	REV. 07



**MARATHON ELECTRIC**

TITLE OUTLINE  
140 FR. 56 HZ - TEFC 1ø - BB

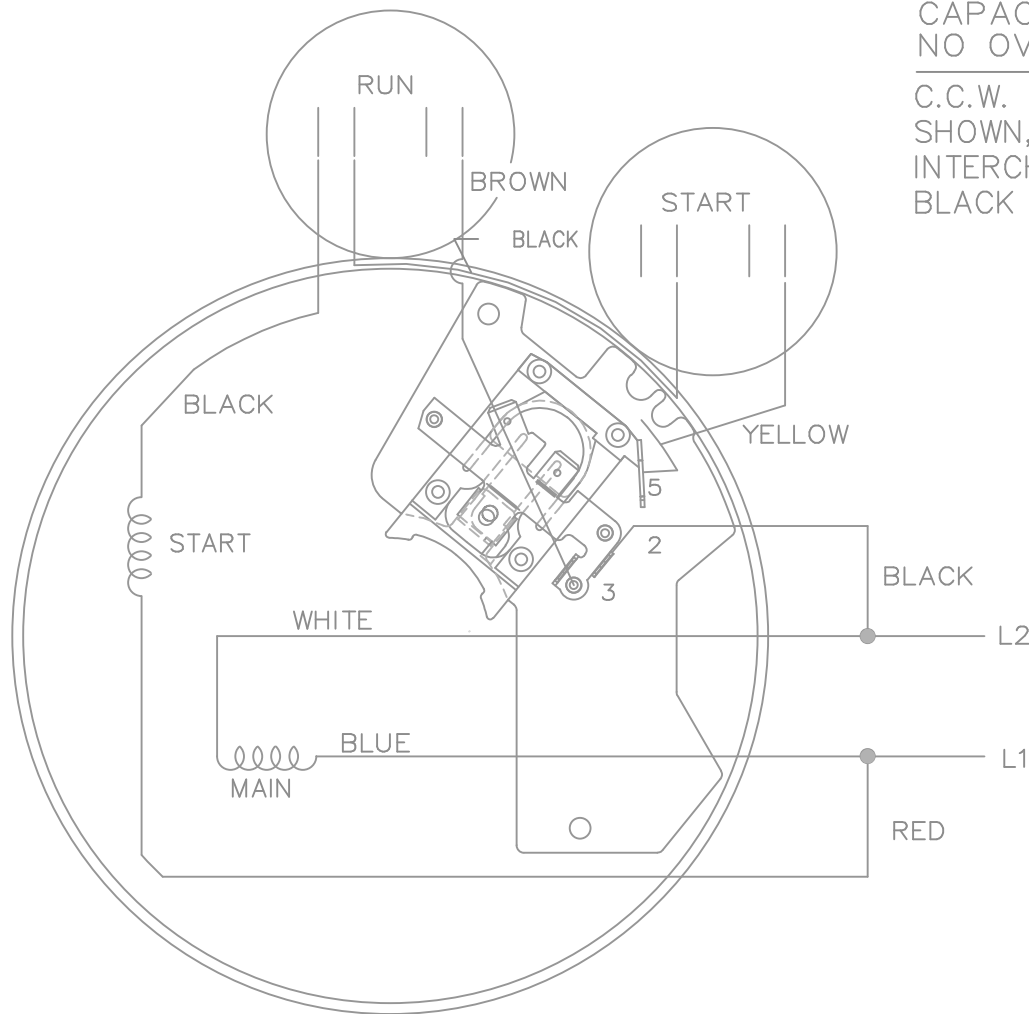
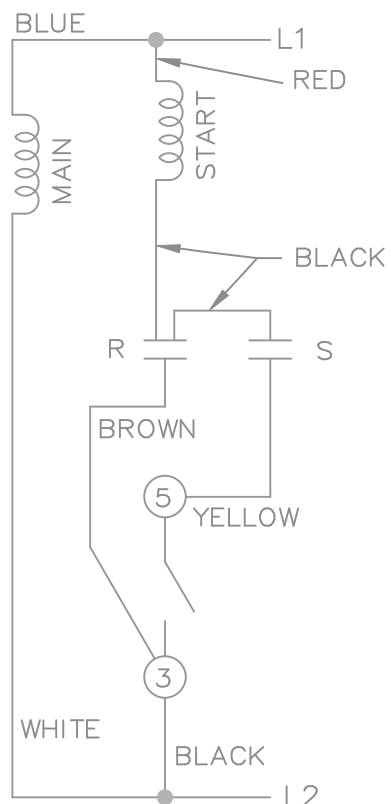
MAT'L.

FINISH

LOW OR HIGH VOLTAGE C.C.W.

LOW OR HIGH VOLTAGE  
CAPACITOR START-RUN  
NO OVERLOAD SELECT ROT.

C.C.W. ROTATION  
SHOWN, TO REVERSE,  
INTERCHANGE RED WITH  
BLACK LEAD.



				TOLERANCES UNLESS SPECIFIED			DRAWN KL 11-19-1993		
				DEC.	INCHES		CHK ML 11-30-1993		
				.X	±.1		APPD GK 11-30-1993		
6	ADDED LOW VOLTAGE TO DESCRIPTION	CN 29200-3243	TJB 10-27-2003	PJB	.XX	±.02	TITLE CONNECTION DIAGRAM		
5	CAP LEAD COLORS REV'D	CN 16210	AJS 08-29-1994		.XXX	±.005	SCALE 5=8		
4	REDRAWN ON CAD, NO CHANGES		KL 12-01-1993		.XXXX	±.0005	REF		
NO.	REVISION	BY & DATE	CHK	ANG	±7'30"		FMF		
THIS DRAWING IN DESIGN AND DETAIL IS OUR PROPERTY AND MUST NOT BE USED EXCEPT IN CONNECTION WITH OUR WORK ALL RIGHTS OF DESIGN AND INVENTION ARE RESERVED THIS IS AN ELECTRONICALLY GENERATED DOCUMENT - DO NOT SCALE THIS PRINT				RFP	CAD FILE 102006-72		SIZE	DRAWING NO. PAGE OF	REV.
				DIST	WP		A	102006-72	6

**CERTIFICATION DATA SHEET**

Model#: 145TBFR5301 AH WINDING#: ZB202 NONE 4  
 CONN. DIAGRAM: 102006-72 ASSEMBLY: F1 ONLY  
 OUTLINE: A-100116-956

**TYPICAL MOTOR PERFORMANCE DATA**

HP	KW	SYNC. RPM	F.L. RPM	FRAME	ENCLOSURE	KVA CODE	DESIGN
3	2.24	3600	3510	145T	TEFC	H	L

PH	Hz	VOLTS	FL AMPS	START TYPE	DUTY	INSL	S.F	AMB°C	ELEVATION
1	60	208-230	13.1-11.8	ACROSS THE LINE	CONTINUOUS	B3	1.15	40	3300

FULL LOAD EFF: 84	3/4 LOAD EFF: 80.7	1/2 LOAD EFF: -	GTD. EFF	ELEC. TYPE	NO LOAD AMPS
FULL LOAD PF: 99.2	3/4 LOAD PF: 99.9	1/2 LOAD PF: -	0	CAP START CAP RUN	2.6

F.L. TORQUE	LOCKED ROTOR AMPS	L.R. TORQUE	B.D. TORQUE	F.L. RISE°C
4.46 LB-FT	91	8.46 LB-FT 190	13.2 LB-FT 296	70

SOUND PRESSURE @ 3 FT.	SOUND POWER	ROTOR WK^2	MAX. WK^2	SAFE STALL TIME	STARTS /HOUR	APPROX. MOTOR WGT
0 dBA	10 dBA	0 LB-FT^2	0 LB-FT^2	0 SEC.	0	0 LBS.

**\*\*\* SUPPLEMENTAL INFORMATION \*\*\***

DE BRACKET TYPE	ODE BRACKET TYPE	MOUNT TYPE	ORIENTATION	SEVERE DUTY	HAZARDOUS LOCATION	DRIP COVER	SCREENS	PAINT
STANDARD	BRAKE	RIGID	HORIZONTAL	FALSE	NONE	FALSE	NONE	GRAY (POWDER)

BEARINGS		GREASE	SHAFT TYPE	SPECIAL DE	SPECIAL ODE	SHAFT MATERIAL	FRAME MATERIAL
DE	OPE						
BALL	BALL	POLYREX EM	T	NONE	NONE	1144 STRESSPROOF (C-223)	ROLLED STEEL
6205	6203						

THERMO-PROTECTORS				THERMISTORS	CONTROL	SPACE /n HEATERS
THERMOSTATS	PROTECTORS	WDG RTDs	BRG RTDs			
NONE	NOT	NONE	NONE	NONE	FALSE	NONE VOLTS

If Inverter equals NONE, contact factory for further information

\*  
N  
O  
T  
E  
S  
\*

INVERTER TORQUE: NONE
INV. HP SPEED RANGE: NONE
ENCODER: NONE
NONE NONE
NONE NONE PPR
BRAKE: PROVISIONS FOR KIT NONE
NONE P/N NONE
NONE NONE
NONE FT-LB NONE V NONE Hz

DATE: 06/23/2017 01:32:09 AM  
 FORM 3531 REV.3 02/07/99  
 \*\* Subject to change without notice.