

PRODUCT INFORMATION PACKET

Model No: 145TTFR4126

Catalog No: U708

2 HP General Purpose Motor, 3 phase, 1800 RPM, 575 V, 145TC Frame, TEFC
Three Phase TEFC Motors





Nameplate Specifications

Output HP	2 Hp	Output KW	1.5 kW
Frequency	60 Hz	Voltage	575 V
Current	2.2 A	Speed	1740 rpm
Service Factor	1.15	Phase	3
Efficiency	84 %	Power Factor	80
Duty	Continuous	Insulation Class	F
Design Code	B	KVA Code	L
Frame	145TC	Enclosure	Totally Enclosed Fan Cooled
Thermal Protection	No	Ambient Temperature	40 °C
Drive End Bearing Size	6205	Opp Drive End Bearing Size	6203
UL	Recognized	CSA	Y
CE	Y	IP Code	43

Technical Specifications

Electrical Type	Squirrel Cage Induction Run	Starting Method	Across The Line
Poles	4	Rotation	Reversible
Resistance Main	7.85 Ohms	Mounting	Rigid Base
Motor Orientation	Horizontal	Drive End Bearing	Ball
Opp Drive End Bearing	Ball	Frame Material	Rolled Steel
Shaft Type	T	Overall Length	13.87 in
Frame Length	8.56 in	Shaft Diameter	0.875 in
Shaft Extension	2.12 in	Assembly/Box Mounting	F1 Only

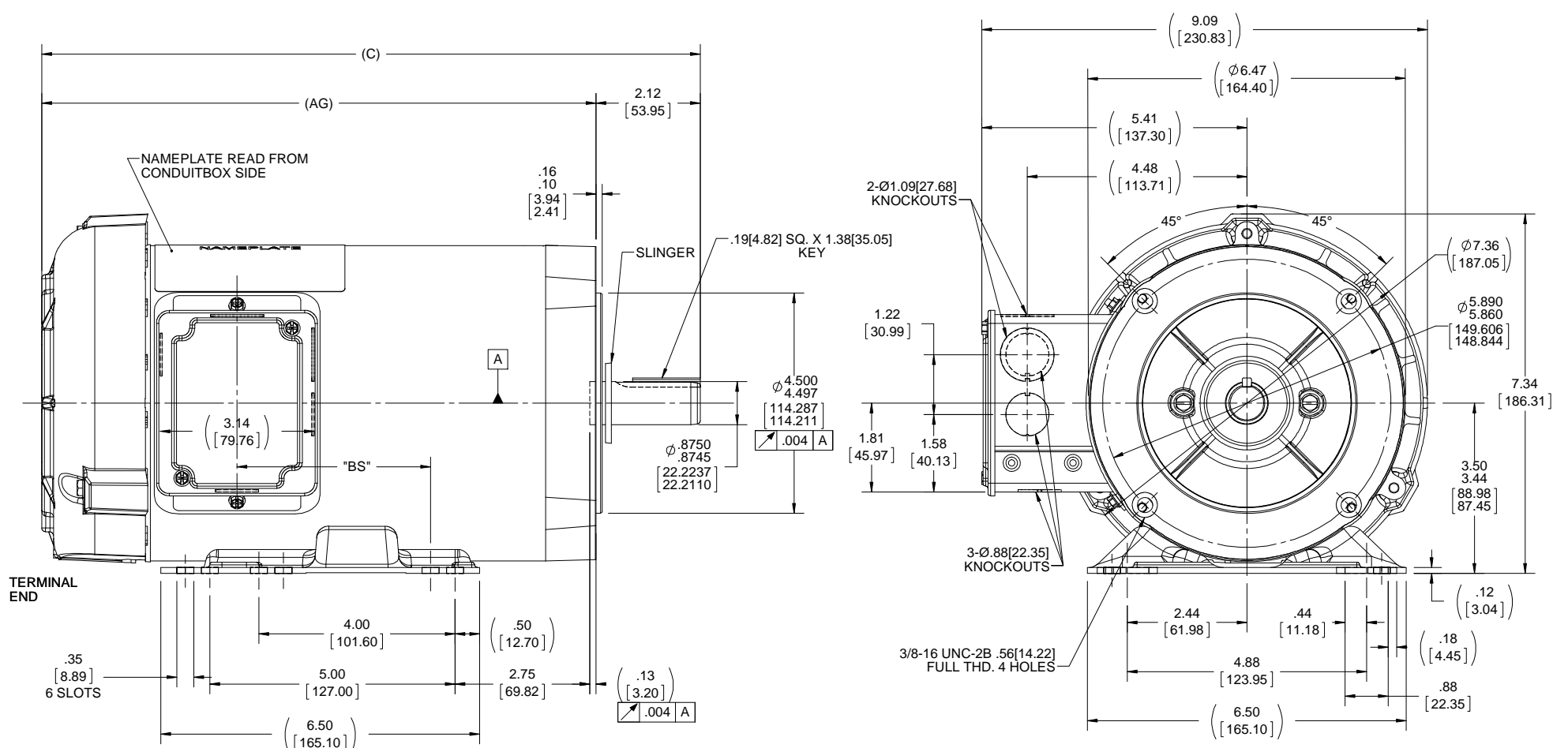
This is an uncontrolled document once printed or downloaded and is subject to change without notice. Date Created:01/11/2019

B

B

A

A



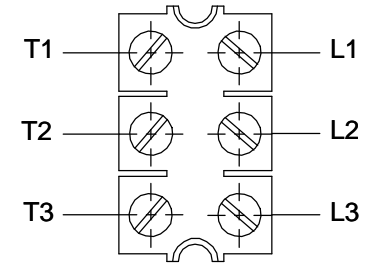
NOTE:
CONDUIT BOX CAN BE ROTATED IN 180° STEPS.

DASH NO.	"C"	"AG"	"BS"	DRAWING REVISION	REVISION BY	DATE	TOLERANCES UNLESS OTHERWISE SPECIFIED:	DRAWN BY	REGAL™ Regal Beloit America, Inc.							
706	12.42[315.46]	10.30[261.62]	2.95[74.93]	M	A. KEETHA	01/19/2018	DEC. .X ±0.1 [±2.5] ANGLE ±7-30"	SMC	DATE	09/22/1992						
756	12.92[328.16]	10.80[274.32]	3.45[87.63]	ECO	PST	04/11/2018	.XX ±0.03 [±0.76]	APPROVED BY	GEK	DESCRIPTION						
806	13.42[340.86]	11.30[287.02]	3.95[100.33]	ECO DESCRIPTION	OUTLINE CONVERSION PROJECT					DATE	09/24/1992	OUTLINE 140T FRAME-TEFC-C'FACE				
856	13.92[353.56]	11.80[299.72]	4.45[113.03]	<small>COPYRIGHT REGAL BELOIT AMERICA, INC. ALL RIGHTS RESERVED. PROPRIETARY AND CONFIDENTIAL INFORMATION - THIS DOCUMENT IS THE PROPERTY OF REGAL BELOIT AMERICA, INC. ("OWNER") AND CONTAINS OWNER'S PROPRIETARY INFORMATION. ANY PERSON, CORPORATION OR OTHER FIRM RECEIVING IT IS DEEMED, BY RECEIVING IT, TO AGREE THAT IT, AND/OR ANY PART OF IT, SHALL NOT BE DISCLOSED TO ANY PERSON, CORPORATION OR OTHER ENTITY, DUPLICATED, AND/OR USED, EXCEPT AS EXPRESSLY APPROVED IN WRITING IN ADVANCE BY OWNER. THIS DOCUMENT SHALL BE RETURNED TO OWNER UPON REQUEST. IT MAY BE SUBJECT TO CERTAIN RESTRICTIONS UNDER APPLICABLE EXPORT CONTROL LAWS AND REGULATIONS.</small>					REFERENCE	100106	MATERIAL	PROCESS/FINISH				
906	14.42[366.26]	12.30[312.42]	4.95[125.73]						MACHINED SURFACES: 200 5.1	THIRD ANGLE PROJECTION	SIZE	B	DRAWING NUMBER	100106	SHEET	1 OF 1

**THREE PHASE - SINGLE VOLTAGE
MOTOR - CONDUIT BOX @ 'A'**

**TO REVERSE ROTATION:
INTERCHANGE ANY TWO
LINE LEAD CONNECTIONS.**

TERMINAL BLOCK WHEN SPECIFIED



VIEW OF TERMINAL END

**IF MOTOR HAS
6 LEADS**



A-9806 DECAL

**OPTIONAL CORD
CONNECTION**



DRAWING REVISION AB	REVISION BY JJB	DATE 06-27-2017
ECO ECO-0125361	APPROVED BY TB	DATE 06-27-2017

ECO DESCRIPTION
UPDATED TO CURRENT STANDARDS
COPYRIGHT REGAL BELOIT AMERICA, INC. ALL RIGHTS RESERVED.
PROPRIETARY AND CONFIDENTIAL INFORMATION - THIS DOCUMENT IS THE PROPERTY OF
REGAL BELOIT AMERICA, INC. ("OWNER") AND CONTAINS OWNER'S PROPRIETARY
INFORMATION. ANY PERSON, CORPORATION OR OTHER FIRM RECEIVING IT IS DEEMED,
BY RECEIVING IT, TO AGREE THAT IT, AND/OR ANY PART OF IT, SHALL NOT BE DISCLOSED
TO ANY PERSON, CORPORATION OR OTHER ENTITY, DUPLICATED, AND/OR USED, EXCEPT
AS EXPRESSLY APPROVED IN WRITING IN ADVANCE BY OWNER. THIS DOCUMENT SHALL
BE RETURNED TO OWNER UPON REQUEST. IT MAY BE SUBJECT TO CERTAIN
RESTRICTIONS UNDER APPLICABLE EXPORT CONTROL LAWS AND REGULATIONS.

DRAWN BY DA	
DATE 03-26-1993	
APPROVED BY TB	
DATE 03-26-1993	
REFERENCE	
THIRD ANGLE PROJECTION	

Regal Beloit America, Inc.	
DESCRIPTION CONNECTION DIAGRAM EXTERNAL - SINGLE VOLTAGE - 3Ø MOTOR	
MATERIAL	PROCESS/FINISH
SIZE A	DRAWING NUMBER EE7300
SHEET 1 OF 1	