

PRODUCT INFORMATION PACKET

Model No: 182TTDB7325

Catalog No: M1315

5 HP Close-Coupled Pump Motor, 3 phase, 3600 RPM, 230/460 V, 182JM Frame, ODP
JM Motors



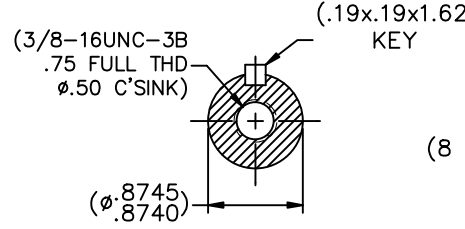
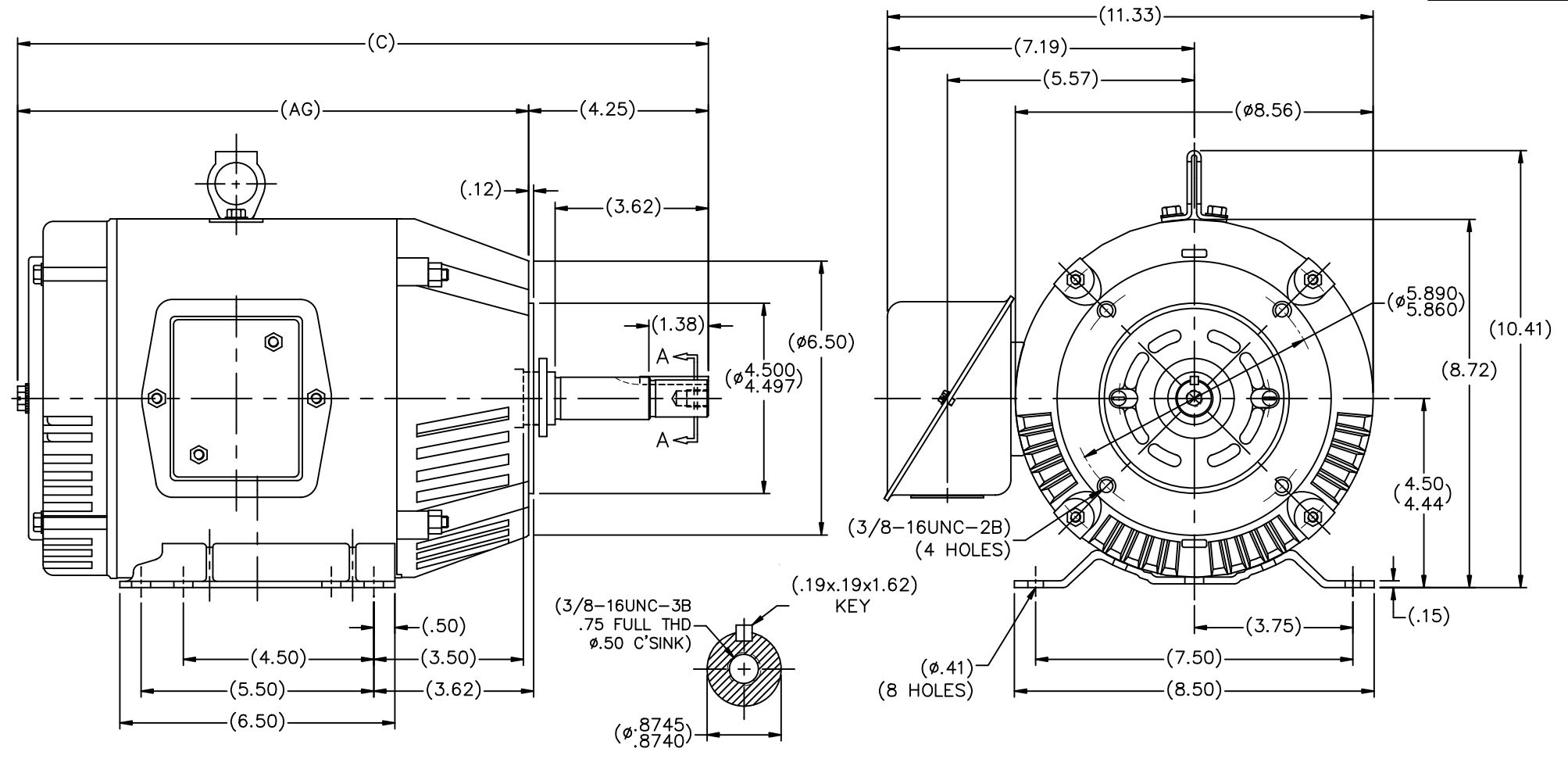
Nameplate Specifications

Output HP	5 Hp	Output KW	3.7 kW
Frequency	60 Hz	Voltage	230/460 V
Current	12.4/6.2 A	Speed	3480 rpm
Service Factor	1.15	Phase	3
Efficiency	85.5 %	Power Factor	89.5
Duty	Continuous	Insulation Class	B
Design Code	B	KVA Code	G
Frame	182JM	Enclosure	Drip Proof
Thermal Protection	No	Ambient Temperature	40 °C
Drive End Bearing Size	6307	Opp Drive End Bearing Size	6205
UL	Recognized	CSA	Y
CE	Y	IP Code	22

Technical Specifications

Electrical Type	Squirrel Cage Induction Run	Starting Method	Across The Line
Poles	2	Rotation	Reversible
Resistance Main	3.93 Ohms	Mounting	Rigid Base
Motor Orientation	Horizontal	Drive End Bearing	Ball
Opp Drive End Bearing	Ball	Frame Material	Rolled Steel
Shaft Type	JM	Overall Length	16.35 in
Shaft Diameter	0.875 in	Shaft Extension	4.28 in
Assembly/Box Mounting	F1 Only		

This is an uncontrolled document once printed or downloaded and is subject to change without notice. Date Created:01/11/2019



(MAY NOT BE DRAWN TO SCALE)

182TTDR7325	182JM-2	16.35	12.10
184TTDR7322	184JM-2	17.35	13.10
MODEL	FRAME	C	AG

		TOLERANCES UNLESS SPECIFIED		MARATHON ELECTRIC		DRAWN MSG 02-16-2007	
		DEC.	INCHES			CHK	ML 02-22-2007
		.X	±.1			APPD	GK 02-22-2007
		.XX	±.02	TITLE OUTLINE		SCALE	7=16
		.XXX	±.005	182/184JM FR. - C'FACE		REF	
1		CORRECTED SHAFT EXT DIM. LOC. ISAAC 10-3482	MOL 08-09-2010	.XXXX	±.0005	MAT'L	FMF
NO.	REVISION	BY & DATE	CHK	ANG	±7'30"	FINISH	PREV
THIS DRAWING IN DESIGN AND DETAIL IS OUR PROPERTY AND MUST NOT BE USED EXCEPT IN CONNECTION WITH OUR WORK ALL RIGHTS OF DESIGN AND INVENTION ARE RESERVED THIS IS AN ELECTRONICALLY GENERATED DOCUMENT - DO NOT SCALE THIS PRINT						RFP	CAD FILE SS620020
						SIZE	DRAWING NO. PAGE OF REV.
						B	SS620020 1

EE7308

THREE PHASE
DUAL VOLTAGE MOTOR



VIEW OF TERMINAL END

REF.
WINDING DIAGRAM

T8Y, T2Y, T2BL, T4BX, T2EC, T2G
T6BZ, T2B, T6BL, T4AV, T6B, T4B

OPTIONAL CORD
CONNECTION

L1 — WHITE
L2 — RED
L3 — BLACK

NO.	REVISION	BY & DATE	CHK	ANG	TOLERANCES UNLESS SPECIFIED		FINISH	DRAWN RM 11/20/1990				
					DEC.	INCHES						
5	CHG TO REGAL LOGO	SL 09/10/2015	AB					CHK ML 11/21/1990				
4	REVISED IEC NOTATIONS	MSG 11/15/2011	CMN	.X	±.1			APPD SAS 04/24/2003				
3	ADDED IEC NOTATIONS... (U1), (V1) ETC. MU95194	MSG 5/10/2010	MJS	.XX	±.02		TITLE CONNECTION DIAGRAM	SCALE 1=1				
2	ADDED THE OPTIONAL CORD CONNECTION MU46318	RDH 04/24/2003	DRS	.XXX	±.005		3Ø - DUAL VOLTAGE MOTOR	REF				
1	REDRAWN	RM 11/20/1990		.XXXX	±.0005		MAT'L.	FMF				
					±7'30"			PREV				
THIS DRAWING IN DESIGN AND DETAIL IS OUR PROPERTY AND MUST NOT BE USED EXCEPT IN CONNECTION WITH OUR WORK ALL RIGHTS OF DESIGN AND INVENTION ARE RESERVED THIS IS AN ELECTRONICALLY GENERATED DOCUMENT - DO NOT SCALE THIS PRINT							RFP	CAD FILE ee7308	SIZE A	DRAWING NO. EE7308	PAGE OF 5	REV. 5
							DIST WP					



Regal Beloit America, Inc.