

PRODUCT INFORMATION PACKET

Model No: 182TTDW4028

Catalog No: C123B

3 HP General Purpose Motor, 3 phase, 1800 RPM, 230/460 V, 182TC Frame, ODP
Three Phase ODP Motors



Nameplate Specifications

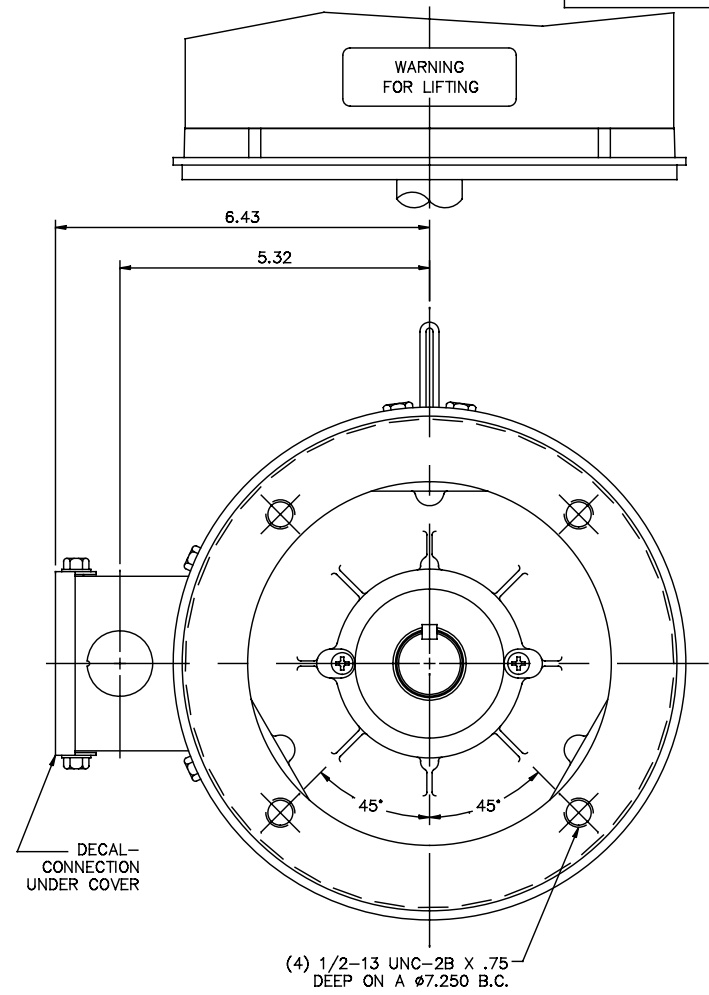
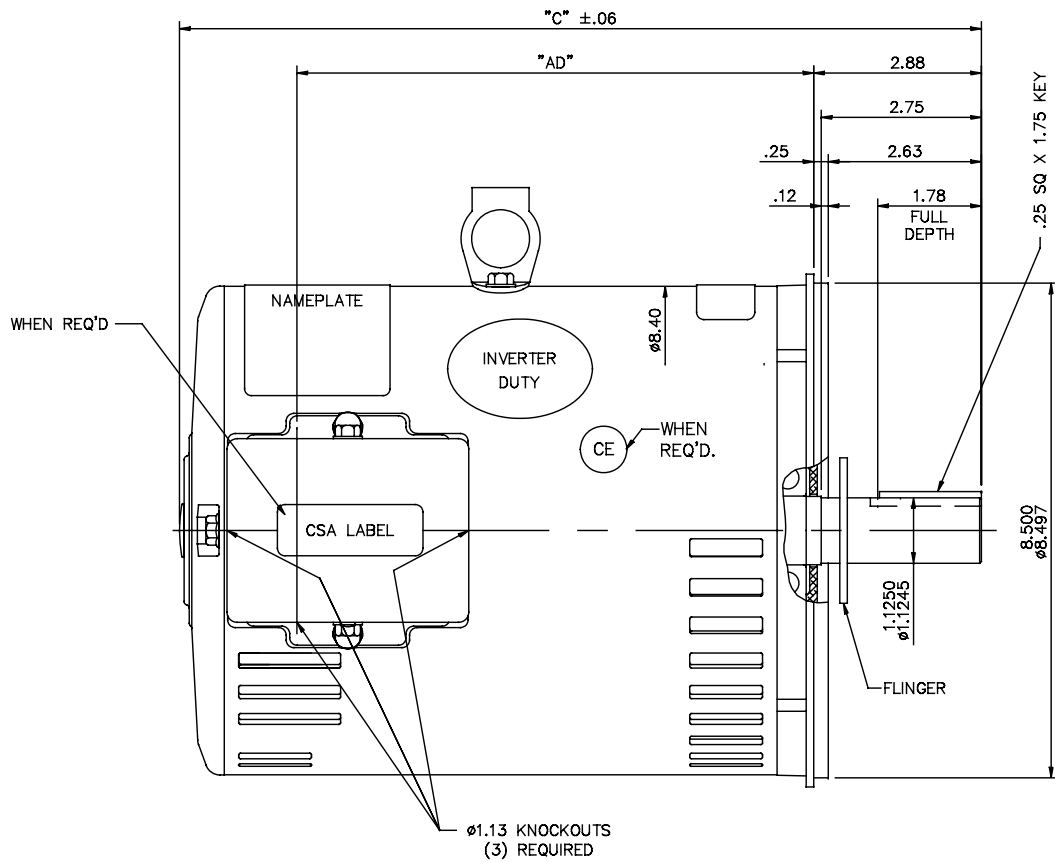
Output HP	3 Hp	Output KW	2.2 kW
Frequency	60 Hz	Voltage	230/460 V
Current	8.8/4.4 A	Speed	1765 rpm
Service Factor	1.15	Phase	3
Efficiency	86.5 %	Power Factor	73.8
Duty	Continuous	Insulation Class	F
Design Code	B	KVA Code	K
Frame	182TC	Enclosure	Drip Proof
Thermal Protection	No	Ambient Temperature	40 °C
Drive End Bearing Size	6206	Opp Drive End Bearing Size	6205
UL	Recognized	CSA	Y
CE	Y	IP Code	22

Technical Specifications

Electrical Type	Squirrel Cage Induction Run	Starting Method	Across The Line
Poles	4	Rotation	Reversible
Resistance Main	4.85 Ohms	Mounting	Round
Motor Orientation	Horizontal	Drive End Bearing	Ball
Opp Drive End Bearing	Ball	Frame Material	Rolled Steel
Shaft Type	T	Overall Length	12.78 in
Frame Length	8.50 in	Shaft Diameter	1.125 in
Shaft Extension	2.75 in	Assembly/Box Mounting	F1 ONLY

This is an uncontrolled document once printed or downloaded and is subject to change without notice. Date Created:01/11/2019

035607



GASKETS THROUGHOUT
 MAXIMUM FACE RUNOUT TO BE .004 T.I.R.
 MAXIMUM PILOT ECCENTRICITY TO BE .004 T.I.R.
 PERMISSIBLE SHAFT RUNOUT TO BE .002 T.I.R.

DASH NO.	"C"	"AD"
800	12.28	7.38
850	12.78	7.88
900	13.28	8.38
950	13.78	8.88
1000	14.28	9.38
1050	14.78	9.88
1100	15.28	10.38
1150	15.78	10.88

NO.	REVISION	BY & DATE	CHK	ANG	FINISH	TOLERANCES UNLESS SPECIFIED	
						DEC.	INCHES
02	CSA LABEL ADDED	PVR 06/24/15	GR	.XXX	±.005		
01	ADDED -800 LENGTH PER ISSAC09-3353	SSK 8/17/2009		.XXXX	±.0005		

MARATHON ELECTRIC		DRAWN KVN 01/02/2007
TITLE OUTLINE - 180TC FRAME DRIP PROOF - "C" FACE		CHK
SCALE 1=2		APPD
REF 035593		
FINISH		PREV
CAD FILE 035607	SIZE B	DRAWING NO. 035607
DIST NLV		REV. 02