

PRODUCT INFORMATION PACKET

Model No: 184TTDB6085
Catalog No: GT2408
2,1200,DP,184JP,3/60/230/460
JP



Regal and Marathon are trademarks of Regal Beloit Corporation or one of its affiliated companies.
©2018 Regal Beloit Corporation, All Rights Reserved. MC017097E





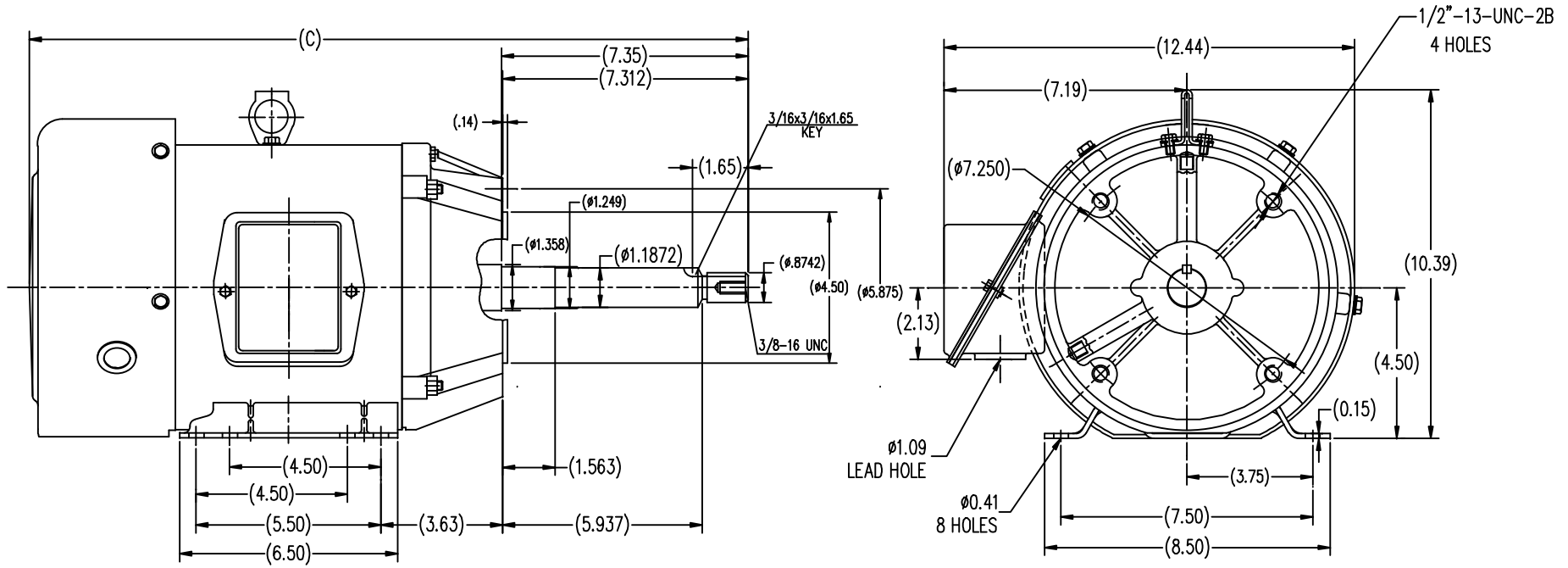
Nameplate Specifications

Output HP	2 Hp	Output KW	1.5 kW
Frequency	60 Hz	Voltage	230/460 V
Current	5.8/2.9 A	Speed	1180 rpm
Service Factor	1.15	Phase	3
Efficiency	87.5 %	Duty	Continuous
Insulation Class	F	Design Code	B
KVA Code	J	Frame	184JPV
Enclosure	Drip Proof	Overload Protector	No
Ambient Temperature	40 °C	Drive End Bearing Size	6206
Opp Drive End Bearing Size	6203	UL	Recognized
CSA	Y	CE	Y
IP Code	22		


Technical Specifications

Electrical Type	Squirrel Cage Inverter Rated	Starting Method	Line Or Inverter
Poles	6	Rotation	Reversible
Mounting	Rigid base	Motor Orientation	Horizontal Or Shaft Down
Drive End Bearing	Ball	Opp Drive End Bearing	Ball
Frame Material	Rolled Steel	Shaft Type	JP
Overall Length	20.04 in	Shaft Diameter	0.875 in
Shaft Extension	7.35 in	Assembly/Box Mounting	F1 Only
Outline Drawing	SS620562	Connection Diagram	EE7308

This is an uncontrolled document once printed or downloaded and is subject to change without notice. Date Created: 06/29/2018

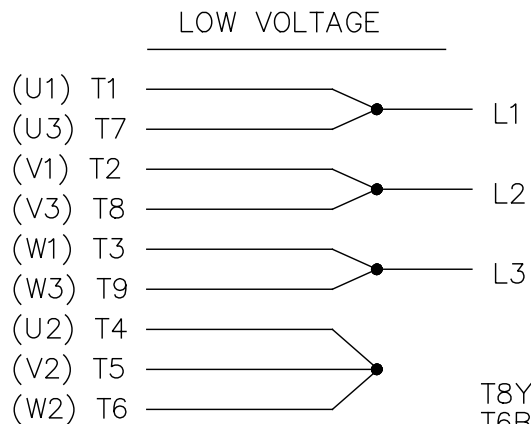


TIFB 182TC	19.067
TIFB 184TC	20.047
FRAME	C

		TOLERANCES UNLESS SPECIFIED		REGAL-BELOIT CORPORATION		DRAWN ZXC 5-21-2012	
		DEC.	INCHES			CHK	
		.X	±.1	 REGAL-BELOIT CORPORATION TITLE OUTLINE TEFC-182/184JP-FR-ROLLED STEEL MAT'L.		APPD	
		.XX	±.03			SCALE 1=4	
		.XXX	±.005			REF	
		.XXXX	±.0005			FMF HWADA	
NO.	REVISION	BY & DATE	CHK	ANG	FINISH	PREV	
THIS DRAWING IN DESIGN AND DETAIL IS OUR PROPERTY AND MUST NOT BE USED EXCEPT IN CONNECTION WITH OUR WORK ALL RIGHTS OF DESIGN AND INVENTION ARE RESERVED THIS IS AN ELECTRONICALLY GENERATED DOCUMENT - DO NOT SCALE THIS PRINT				RFP	CAD FILE	SS620562	SIZE B
				DIST			DRAWING NO. SS620562
							REV. HWADA

EE7308

THREE PHASE
DUAL VOLTAGE MOTOR



VIEW OF TERMINAL END

REF.
WINDING DIAGRAM

T8Y, T2Y, T2BL, T4BX, T2EC, T2G
T6BZ, T2B, T6BL, T4AV, T6B, T4B

OPTIONAL CORD
CONNECTION

L1 — WHITE
L2 — RED
L3 — BLACK

NO.	REVISION	BY & DATE	CHK	ANG	TOLERANCES UNLESS SPECIFIED		FINISH	DRAWN RM 11/20/1990				
					DEC.	INCHES						
5	CHG TO REGAL LOGO	SL 09/10/2015	AB					CHK ML 11/21/1990				
4	REVISED IEC NOTATIONS	MSG 11/15/2011	CMN	.X	±.1			APPD SAS 04/24/2003				
3	ADDED IEC NOTATIONS... (U1), (V1) ETC. MU95194	MSG 5/10/2010	MJS	.XX	±.02		TITLE CONNECTION DIAGRAM	SCALE 1=1				
2	ADDED THE OPTIONAL CORD CONNECTION MU46318	RDH 04/24/2003	DRS	.XXX	±.005		3Ø - DUAL VOLTAGE MOTOR	REF				
1	REDRAWN	RM 11/20/1990		.XXXX	±.0005		MAT'L.	FMF				
					±7'30"			PREV				
THIS DRAWING IN DESIGN AND DETAIL IS OUR PROPERTY AND MUST NOT BE USED EXCEPT IN CONNECTION WITH OUR WORK ALL RIGHTS OF DESIGN AND INVENTION ARE RESERVED THIS IS AN ELECTRONICALLY GENERATED DOCUMENT - DO NOT SCALE THIS PRINT							RFP	CAD FILE ee7308	SIZE A	DRAWING NO. EE7308	PAGE OF 5	REV. 5
							DIST WP					



CERTIFICATION DATA SHEET

Model#: 184TTDB6085 AA WINDING#: CHT18460008 NONE 1
 CONN. DIAGRAM: EE7308 ASSEMBLY: F1/F2 CAPABLE
 OUTLINE: SS620562

TYPICAL MOTOR PERFORMANCE DATA

HP	KW	SYNC. RPM	F.L. RPM	FRAME	ENCLOSURE	KVA CODE	DESIGN
2&1 1/2	1.49&1.12	1200	1180&983	184JPV	DP	J	B

PH	Hz	VOLTS	FL AMPS	START TYPE	DUTY	INSL	S.F	AMB°C	ELEVATION
3	60/50	230/460#190/ 380	5.8/2.9&5.2/2. 6	LINE OR INVERTER	CONTINUOU S	F7	1.15/1.0	40	3300

FULL LOAD EFF: 87.5&86.5	3/4 LOAD EFF: 86.5	1/2 LOAD EFF: 84	GTD. EFF	ELEC. TYPE	NO LOAD AMPS
FULL LOAD PF: 74&72	3/4 LOAD PF: 68	1/2 LOAD PF: 56	86.5	SQ CAGE INV RATED	3.1 / 1.6

F.L. TORQUE	LOCKED ROTOR AMPS	L.R. TORQUE	B.D. TORQUE	F.L. RISE°C
8.9 LB-FT	39 / 19.5	14.5 LB-FT 162	23 LB-FT 258	45

SOUND PRESSURE @ 3 FT.	SOUND POWER	ROTOR WK^2	MAX. WK^2	SAFE STALL TIME	STARTS /HOUR	APPROX. MOTOR WGT
54 dBA	64 dBA	0.5 LB-FT^2	32 LB-FT^2	25 SEC.	2	90 LBS.

*** SUPPLEMENTAL INFORMATION ***

DE BRACKET TYPE	ODE BRACKET TYPE	MOUNT TYPE	ORIENTATION	SEVERE DUTY	HAZARDOUS LOCATION	DRIP COVER	SCREENS	PAINT
C-FACE	STANDARD	RIGID	HORIZONTAL OR SHAFT DOWN	FALSE	NONE	FALSE	NONE	BLUE (ENAMEL)

BEARINGS		GREASE	SHAFT TYPE	SPECIAL DE	SPECIAL ODE	SHAFT MATERIAL	FRAME MATERIAL
DE	OPE						
BALL	BALL	POLYREX EM	JP	NONE	NONE	1045 HOT ROLLED (C-204)	ROLLED STEEL
6206	6203						

THERMO-PROTECTORS				THERMISTORS	CONTROL	SPACE /n HEATERS
THERMOSTATS	PROTECTORS	WDG RTDs	BRG RTDs			
NONE	NOT	NONE	NONE	NONE	FALSE	NONE VOLTS

If Inverter equals NONE, contact factory for further information

INVERTER TORQUE: VARIABLE 10:1
INV. HP SPEED RANGE: NONE
ENCODER: NONE
NONE NONE
NONE NONE PPR
BRAKE: NONE NONE
NONE P/N NONE
NONE NONE
NONE FT-LB NONE V NONE Hz

*
N
O
T
E
S
*

Data Sheet

Date: 15-06-2017
 Customer: _____
 Attention: _____
 Submitted by: FAREEDA DUDEKULA



184TTDB6085

Submittal

Data @ 460 V

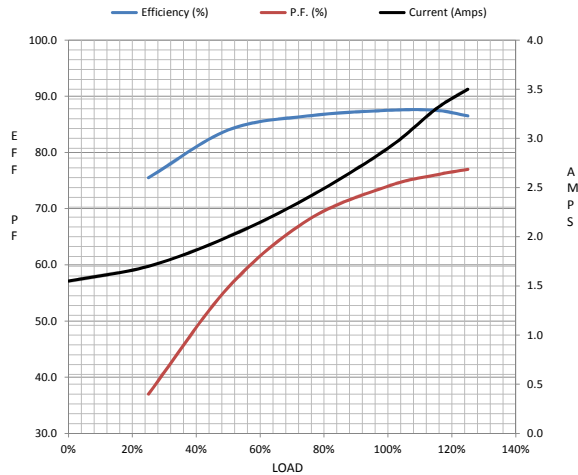
Motor Load Data

Load	0%	25%	50%	75%	100%	115%	125%	LR
Current (Amps)	1.55	1.70	2.00	2.40	2.90	3.3	3.5	19.5
Torque (ft-lb)	0.00	2.20	4.4	6.7	8.9	10.3	11.2	14.5
RPM	1200	1195	1190	1185	1180	1,178	1175	0
Efficiency (%)		75.5	84.0	86.5	87.5	87.5	86.5	
P.F. (%)	9.0	37.0	56.0	68.0	74.0	76.0	77.0	38.0

Motor Speed Data

	LR	Pull-Up	BD	Rated	Idle
Speed (RPM)	0	600	1075	1180	1200
Current (Amps)	19.5	18.0	11.0	2.90	1.55
Torque (ft-lb)	14.5	12.0	23.0	8.9	0.00

Information Block				
HP	2.0			
Sync. RPM	1200			
Frame	182			
Enclosure	DP			
Construction	TDB			
Voltage	30/460#190/38V			
Frequency	60 Hz			
Design	B			
LR Code letter	J			
Service Factor	1.15			
Temp Rise @ FL	45 ° C			
Duty	CONT			
Ambient	40 ° C			
Elevation	1,000 feet			
Rotor/Shaft wk ²	0.50 Lb-Ft ²			
Ref Wdg	CHT18460008 NONE			
Sound Pressure @ 1M	54 dBA			
VFD Rating	VARIABLE 10:1			
Outline Dwg	SS620562			
Conn. Diag	EE7308			
Additional Specifications:				
0				
365THFS8036				
EQUIV CKT (OHMS / PHASE)				
R1	R2	X1	X2	Xm
3.1240	1.7040	10.2240	13.7740	166.1400



Speed -Torque Curve

