

# PRODUCT INFORMATION PACKET

Model No: 184TTDB6095  
Catalog No: GT2508A  
2,1200,DP,184JP,3/60/575  
JP



Regal and Marathon are trademarks of Regal Beloit Corporation or one of its affiliated companies.  
©2018 Regal Beloit Corporation, All Rights Reserved. MC017097E





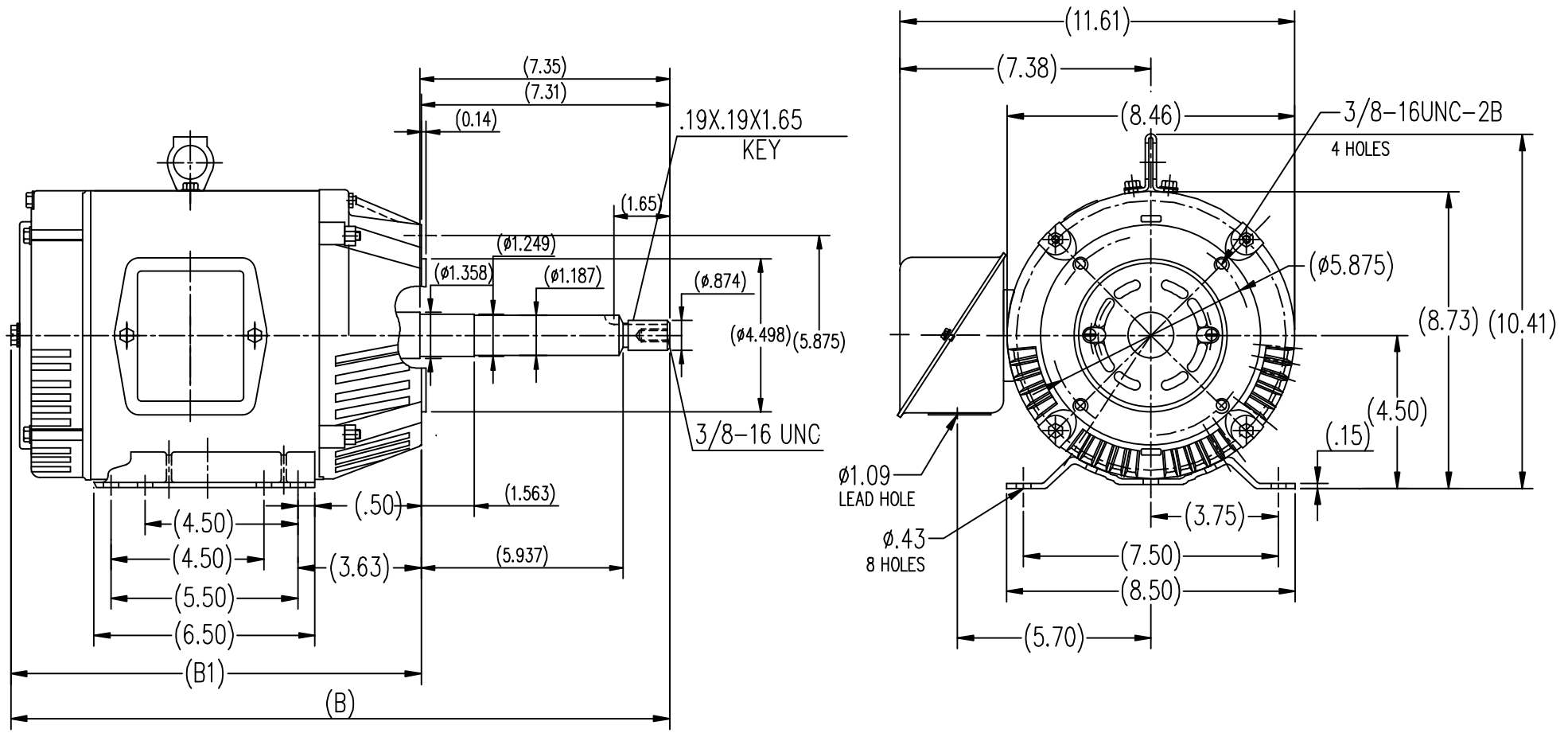
### Nameplate Specifications

Output HP	<b>2 Hp</b>	Output KW	<b>1.5 kW</b>
Frequency	<b>60 Hz</b>	Voltage	<b>575 V</b>
Current	<b>2.3 A</b>	Speed	<b>1180 rpm</b>
Service Factor	<b>1.15</b>	Phase	<b>3</b>
Efficiency	<b>87.5 %</b>	Duty	<b>Continuous</b>
Insulation Class	<b>F</b>	Design Code	<b>B</b>
KVA Code	<b>J</b>	Frame	<b>184JPV</b>
Enclosure	<b>Drip Proof</b>	Overload Protector	<b>No</b>
Ambient Temperature	<b>40 °C</b>	Drive End Bearing Size	<b>6206</b>
Opp Drive End Bearing Size	<b>6203</b>	UL	<b>Recognized</b>
CSA	<b>Y</b>	CE	<b>Y</b>
IP Code	<b>22</b>		

### Technical Specifications

Electrical Type	<b>Squirrel Cage Inverter Rated</b>	Starting Method	<b>Line Or Inverter</b>
Poles	<b>6</b>	Rotation	<b>Reversible</b>
Mounting	<b>Rigid base</b>	Motor Orientation	<b>Horizontal Or Shaft Down</b>
Drive End Bearing	<b>Ball</b>	Opp Drive End Bearing	<b>Ball</b>
Frame Material	<b>Rolled Steel</b>	Shaft Type	<b>JP</b>
Overall Length	<b>20.46 in</b>	Shaft Diameter	<b>0.875 in</b>
Shaft Extension	<b>7.35 in</b>	Assembly/Box Mounting	<b>F1 Only</b>
Outline Drawing	<b>SS620570</b>	Connection Diagram	<b>EE7300</b>

This is an uncontrolled document once printed or downloaded and is subject to change without notice. Date Created: 06/29/2018



182T	12.09	19.44
184T	13.11	20.46
FRAME	B1	B

		TOLERANCES UNLESS SPECIFIED				DRAWN ZXC 05-17-2012	
		DEC.	INCHES			CHK	
		.X	±.1	TITLE		APPD	
		.XX	±.03	ODP-182/184JP FR-ROLLED STEEL		SCALE 1=4	
		.XXX	±.005	MAT'L.		REF	
		.XXXX	±.0005	FINISH		FMF HWADA	
NO.	REVISION	BY & DATE	CHK	ANG	±1/2	PREV	
THIS DRAWING IN DESIGN AND DETAIL IS OUR PROPERTY AND MUST NOT BE USED EXCEPT IN CONNECTION WITH OUR WORK ALL RIGHTS OF DESIGN AND INVENTION ARE RESERVED THIS IS AN ELECTRONICALLY GENERATED DOCUMENT - DO NOT SCALE THIS PRINT				RFP	CAD FILE	SS620570	SIZE
				DIST			DRAWING NO.
							B
							SS620570
							REV.

**THREE PHASE - SINGLE VOLTAGE  
MOTOR - CONDUIT BOX @ 'A'**

**TO REVERSE ROTATION:  
INTERCHANGE ANY TWO  
LINE LEAD CONNECTIONS.**

**TERMINAL BLOCK WHEN SPECIFIED**



**VIEW OF TERMINAL END**

**IF MOTOR HAS  
6 LEADS**



A-9806 DECAL

**OPTIONAL CORD  
CONNECTION**

- L1 \_\_\_\_\_ WHITE
- L2 \_\_\_\_\_ RED
- L3 \_\_\_\_\_ BLACK

DRAWING REVISION AB	REVISION BY JJB	DATE 06-27-2017
ECO ECO-0125361	APPROVED BY TB	DATE 06-27-2017
ECO DESCRIPTION <b>UPDATED TO CURRENT STANDARDS</b>		
<small>COPYRIGHT REGAL BELOIT AMERICA, INC. ALL RIGHTS RESERVED.                  PROPRIETARY AND CONFIDENTIAL INFORMATION - THIS DOCUMENT IS THE PROPERTY OF                  REGAL BELOIT AMERICA, INC. ("OWNER") AND CONTAINS OWNER'S PROPRIETARY                  INFORMATION. ANY PERSON, CORPORATION OR OTHER FIRM RECEIVING IT IS DEEMED,                  BY RECEIVING IT, TO AGREE THAT IT, AND/OR ANY PART OF IT, SHALL NOT BE DISCLOSED                  TO ANY PERSON, CORPORATION OR OTHER ENTITY, DUPLICATED, AND/OR USED, EXCEPT                  AS EXPRESSLY APPROVED IN WRITING IN ADVANCE BY OWNER. THIS DOCUMENT SHALL                  BE RETURNED TO OWNER UPON REQUEST. IT MAY BE SUBJECT TO CERTAIN                  RESTRICTIONS UNDER APPLICABLE EXPORT CONTROL LAWS AND REGULATIONS.</small>		



DRAWN BY DA
DATE 03-26-1993
APPROVED BY TB
DATE 03-26-1993
REFERENCE
THIRD ANGLE PROJECTION

Regal Beloit America, Inc.	
MATERIAL	PROCESS/FINISH
SIZE <b>A</b>	DRAWING NUMBER <b>EE7300</b>
SHEET <b>1 OF 1</b>	



Data Sheet

184TTDB6095



Submittal  
Data @ 575 V

Date: 6/19/2017  
Customer: \_\_\_\_\_  
Attention: \_\_\_\_\_  
Submitted by: FAREEDA DUDEKULA

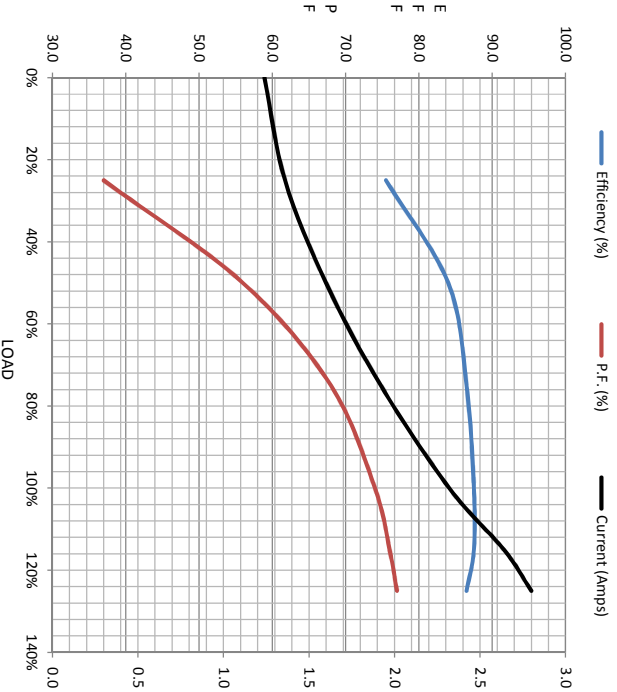
Load	Motor Load Data							
	0%	25%	50%	75%	100%	115%	125%	LR
Current (Amps)	1.24	1.36	1.60	1.92	2.32	2.64	2.80	15.6
Torque (ft-lb)	0.00	2.20	4.4	6.7	8.9	10.3	11.2	14.5
RPM	1200	1195	1190	1185	1180	1178	1175	0
Efficiency (%)		75.5	84.0	86.5	87.5	87.5	86.5	
P.F. (%)	9.0	37.0	56.0	68.0	74.0	76.0	77.0	38.0

Motor Speed Data

	LR	Pull-Up	BD	Rated	Idle
Speed (rpm)	0	600	1075	1180	1200
Current (Amps)	15.6	14.4	8.8	2.32	1.24
Torque (ft-lb)	14.5	12.0	23.0	8.9	0.00

Information Block

HP	2.0			
Sync. RPM	1200			
Frame	182			
Enclosure	DP			
Construction	TDB			
Voltage	575 V			
Frequency	60 HZ			
Design	B			
LR Code letter	J			
Service Factor	1.15			
Temp Rise @ FL	45 °C			
Duty	CONT			
Ambient	40 °C			
Elevation	1,000 feet			
Rotor/Shaft wkt	0.50 Lb-Fe			
Rel Wdg	CHT18460008 NONE			
Sound Pressure @ 1M	54 dBA			
VFD Rating	VARIABLE 10:1			
Outline Dwg	SS620570			
Conn. Diag	EE7300			
Additional Specifications:				
0				
EQUIV CKT (OHMS / PHASE)				
R1	R2	X1	X2	Xm
4.8810	2.6630	15.9750	21.5220	259.5940



Speed - Torque Curve

