

PRODUCT INFORMATION PACKET

Model No: 184TTDW16076
Catalog No: U915
2,1200,DP,184T,3/60/575
Open Drip Proof (ODP)



Regal and Marathon are trademarks of Regal Beloit Corporation or one of its affiliated companies.
©2018 Regal Beloit Corporation, All Rights Reserved. MC017097E





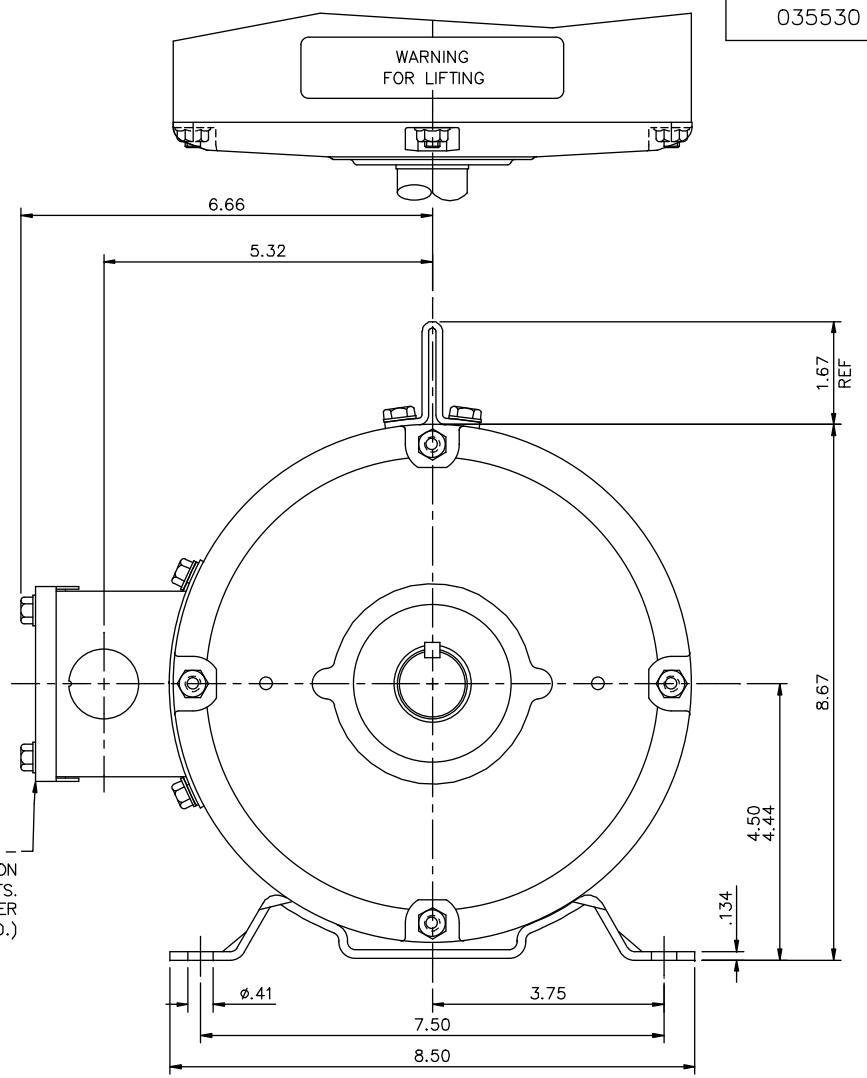
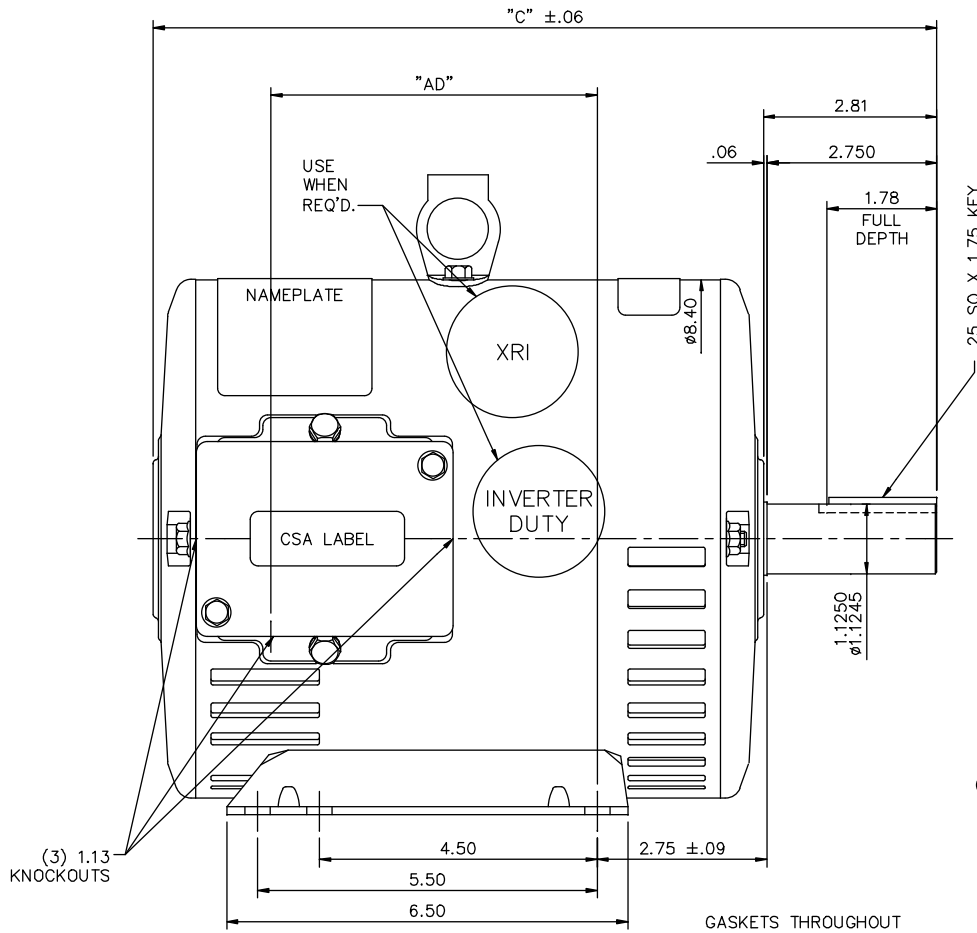
Nameplate Specifications

Output HP	2 Hp	Output KW	1.5 kW
Frequency	60 Hz	Voltage	575 V
Current	2.9 A	Speed	1170 rpm
Service Factor	1.15	Phase	3
Efficiency	88.5 %	Duty	Continuous
Insulation Class	F	Design Code	B
KVA Code	L	Frame	184T
Enclosure	Drip Proof	Overload Protector	No
Ambient Temperature	40 °C	Drive End Bearing Size	6206
Opp Drive End Bearing Size	6205	UL	Recognized
CSA	Y	CE	Y
IP Code	22		

Technical Specifications

Electrical Type	Squirrel Cage Inverter Rated	Starting Method	Line Or Inverter
Poles	6	Rotation	Reversible
Mounting	Rigid base	Motor Orientation	Horizontal
Drive End Bearing	Ball	Opp Drive End Bearing	Ball
Frame Material	Rolled Steel	Shaft Type	T
Overall Length	15.19 in	Frame Length	11.00 in
Shaft Diameter	1.125 in	Shaft Extension	2.81 in
Assembly/Box Mounting	F1 Only		
Outline Drawing	035530-1100	Connection Diagram	005102.01ME

This is an uncontrolled document once printed or downloaded and is subject to change without notice. Date Created: 06/29/2018

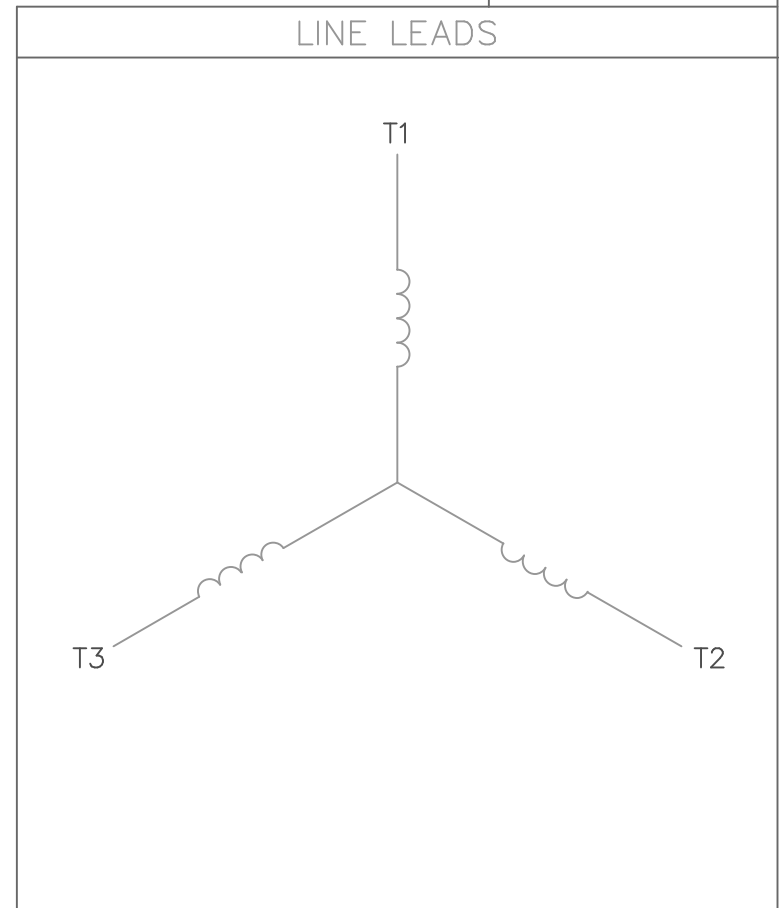
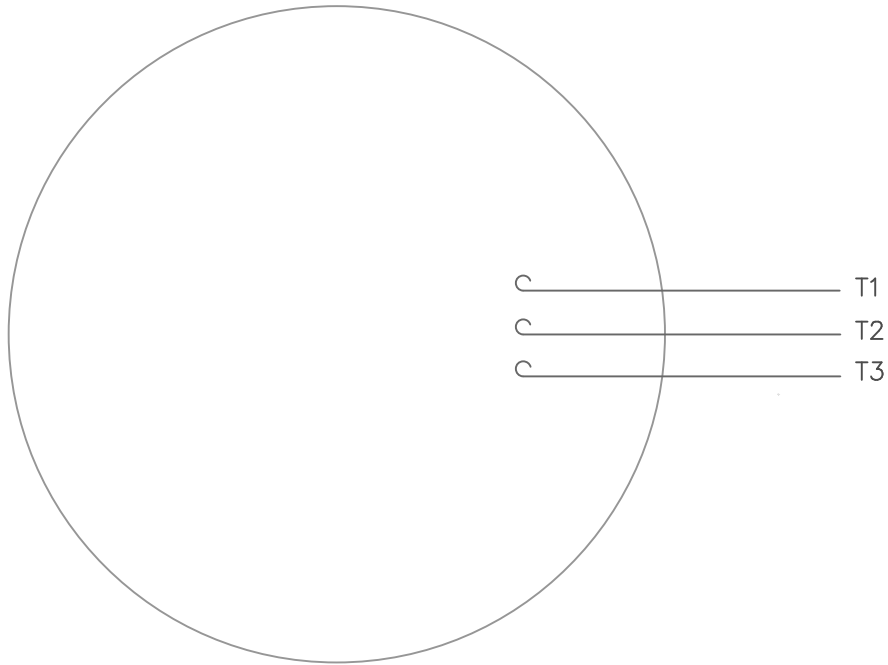


GASKETS THROUGHOUT

DASH NO.	"C"	"AD"
850	12.69	5.25
900	13.19	5.75
950	13.69	6.25
1000	14.19	6.75
1050	14.69	7.25
1100	15.19	7.75
1150	15.69	8.25

		TOLERANCES UNLESS SPECIFIED		MARATHON ELECTRIC		DRAWN	
		DEC.	INCHES			YS 06/21/07	
		.X	±.1			CHK	
03	REMOVED INV & XRI DECALS AS PER ISSAC 12-5294	GR	10/30/12	SR	.XX	±.03	APPD
02	ADDED STICKER LOCATIONS PER ECR 91487	JWM	12/04/07		.XXX	±.005	SCALE 1=2
01	TITLE BLOCK WAS LEESON	YS	7/16/2007		.XXXX	±.0005	REF 035464
NO.	REVISION	BY & DATE	CHK	ANG	±1/2'	FINISH	FMF
THIS DRAWING IN DESIGN AND DETAIL IS OUR PROPERTY AND MUST NOT BE USED EXCEPT IN CONNECTION WITH OUR WORK ALL RIGHTS OF DESIGN AND INVENTION ARE RESERVED THIS IS AN ELECTRONICALLY GENERATED DOCUMENT - DO NOT SCALE THIS PRINT				RFP	CAD FILE	035530	SIZE DRAWING NO.
				DIST	NLV		B 035530
							REV. 03

VIEW FROM OUTSIDE OF MOTOR AT SWITCH END.



CONNECT LEADS AS FOLLOWS
FOR FOUR CONDUCTOR CORD ()

CORD	L1 (RED)	L2 (WHITE)	L3 (BLACK)	(GREEN)
MOTOR	T1	T2	T3	GROUND

				TOLERANCES UNLESS SPECIFIED			DRAWN	RDW 5/1/02		
				DEC.	INCHES		CHK			
				.X	±.1		APPD			
				.XX	±.01		SCALE	1=1		
				.XXX	±.005		REF			
				.XXXX	±.0005	MAT'L.	DECAL - 004169			
NO.	REVISION	BY & DATE	CHK	ANG	±1/2'	FINISH	PREV			
THIS DRAWING IN DESIGN AND DETAIL IS OUR PROPERTY AND MUST NOT BE USED EXCEPT IN CONNECTION WITH OUR WORK ALL RIGHTS OF DESIGN AND INVENTION ARE RESERVED THIS IS AN ELECTRONICALLY GENERATED DOCUMENT - DO NOT SCALE THIS PRINT				RFP	5/1/02	CAD FILE	00510201ME	SIZE	DRAWING NO.	REV.
				DIST				A	005102-01ME	

CERTIFICATION DATA SHEET

Model#: 184TTDW16076 AA WINDING#: T8629 NONE 4
 CONN. DIAGRAM: 005102.01ME ASSEMBLY: F1 ONLY
 OUTLINE: 035530-1100

TYPICAL MOTOR PERFORMANCE DATA

HP	KW	SYNC. RPM	F.L. RPM	FRAME	ENCLOSURE	KVA CODE	DESIGN
2	1.49	1200	1170	184T	DP	L	B

PH	Hz	VOLTS	FL AMPS	START TYPE	DUTY	INSL	S.F	AMB°C	ELEVATION
3	60	575	2.9	LINE OR INVERTER	CONTINUOUS	F4	1.15	40	3300

FULL LOAD EFF: 88.5	3/4 LOAD EFF: 87.4	1/2 LOAD EFF: 84.6	GTD. EFF	ELEC. TYPE	NO LOAD AMPS
FULL LOAD PF: 59	3/4 LOAD PF: 50.7	1/2 LOAD PF: 38.8	0	SQ CAGE INV RATED	2

F.L. TORQUE	LOCKED ROTOR AMPS	L.R. TORQUE	B.D. TORQUE	F.L. RISE°C
8.87 LB-FT	19.6	19.5 LB-FT 220	36 LB-FT 406	30

SOUND PRESSURE @ 3 FT.	SOUND POWER	ROTOR WK^2	MAX. WK^2	SAFE STALL TIME	STARTS /HOUR	APPROX. MOTOR WGT
0 dBA	10 dBA	0.561 LB-FT^2	0 LB-FT^2	10 SEC.	0	0 LBS.

*** SUPPLEMENTAL INFORMATION ***

DE BRACKET TYPE	ODE BRACKET TYPE	MOUNT TYPE	ORIENTATION	SEVERE DUTY	HAZARDOUS LOCATION	DRIP COVER	SCREENS	PAINT
STANDARD	STANDARD	RIGID	HORIZONTAL	FALSE	NONE	FALSE	NONE	BLUE (ENAMEL)

BEARINGS		GREASE	SHAFT TYPE	SPECIAL DE	SPECIAL ODE	SHAFT MATERIAL	FRAME MATERIAL
DE	OPE						
BALL	BALL	POLYREX EM	T	NONE	NONE	AISI 1045 (C-240)	ROLLED STEEL
6206	6205						

THERMO-PROTECTORS				THERMISTORS	CONTROL	SPACE /n HEATERS
THERMOSTATS	PROTECTORS	WDG RTDs	BRG RTDs			
NONE	NOT	NONE	NONE	NONE	FALSE	NONE VOLTS

If Inverter equals NONE, contact factory for further information

INVERTER TORQUE: CONSTANT 10:1
INV. HP SPEED RANGE: NONE
ENCODER: NONE
NONE NONE
NONE NONE PPR
BRAKE: NONE NONE
NONE P/N NONE
NONE NONE
NONE FT-LB NONE V NONE Hz

*
N
O
T
E
S
*

DATE: 06/28/2017 06:42:00 AM
 FORM 3531 REV.3 02/07/99
 ** Subject to change without notice.

Data Sheet

194TTDW16076



Submittal
Data @ 575 V

Date: 6/19/2017

Customer:

Attention:

Submitted by:

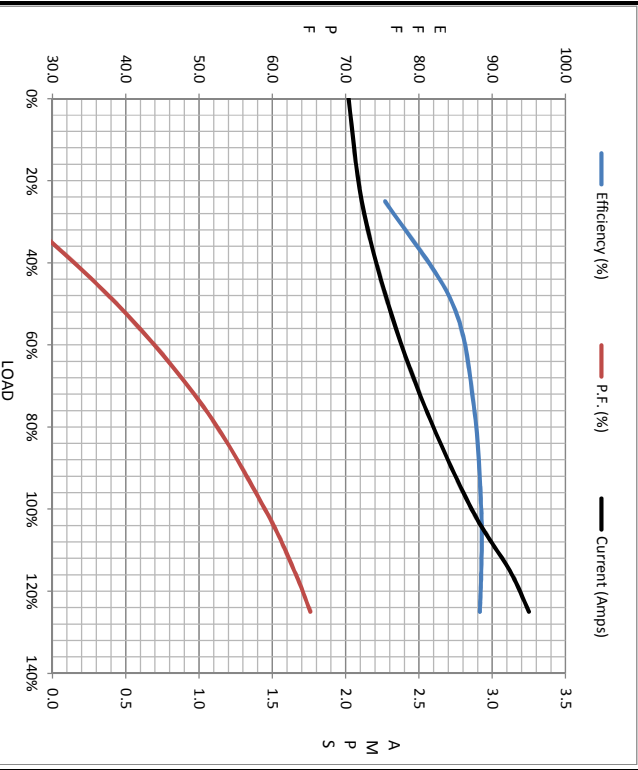
FAREEDA DUDEKULA

Motor Load Data

Load	0%	25%	50%	75%	100%	115%	125%	LR
Current (Amps)	2.02	2.11	2.29	2.54	2.86	3.1	3.3	19.6
Torque (ft-lb)	0.00	2.21	4.4	6.7	8.9	10.1	11.2	19.5
RPM	1200	1196	1192	1186	1182	1,180	1176	0
Efficiency (%)		75.4	84.6	87.5	88.5	88.5	88.3	
P.F. (%)	7.4	23.7	38.8	50.6	59.0	63.0	65.2	0.0

Motor Speed Data

	LR	Pull-Up	BD	Rated	Idle	Information Block											
Speed (rpm)	0	100	1000	1182	1200	HP	2.0										
Current (Amps)	19.6	18.0	11.8	2.86	2.02	Sync. RPM	1200										
Torque (ft-lb)	19.5	19.0	36.0	8.9	0.00	Frame	180										
						Enclosure	DP										
						Construction	TDW										
						Voltage	575	V									
						Frequency	60	Hz									
						Design	B										
						LR Code letter	L										
						Service Factor	1.15										
						Temp Rise @ FL	30	° C									
						Duty	CONT										
						Ambient	40	° C									
						Elevation	1,000	feet									
						Rotor/Shaft wkt	0.56	Lb-Fe									
						Ret Wdg	T8629	NONE									
						Sound Pressure @ 1M	0	dba									
						VFD Rating	CONSTANT 10:1										
						Outline Dwg	035530-1100										
						Conn. Diag	005102.01ME										
						Additional Specifications:											
							EQUIV CKT (OHMS / PHASE)										
							R1	R2	X1	X2	Xm						
							0.00000	0.00000	0.00000	0.00000	0.00000						



	LR	R2	X1	X2	Xm
	0.00000	0.00000	0.00000	0.00000	0.00000

