

PRODUCT INFORMATION PACKET

Model No: 184TTWD16032
Catalog No: N449B
5,1800,TEFC,184TC,3/60/230/460
Washdown Duty



Regal and Marathon are trademarks of Regal Beloit Corporation or one of its affiliated companies.
©2018 Regal Beloit Corporation, All Rights Reserved. MC017097E





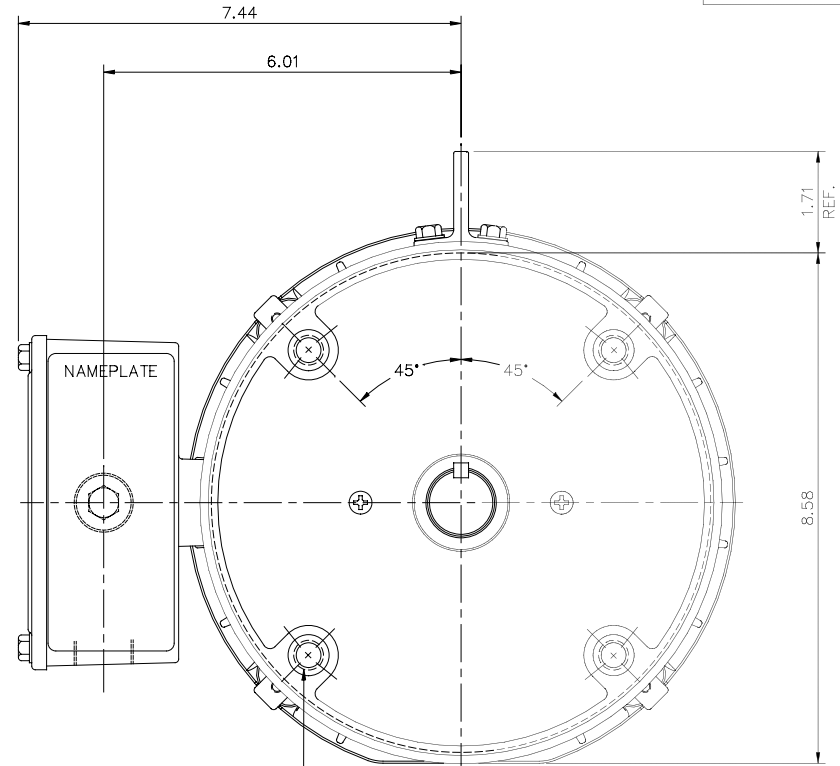
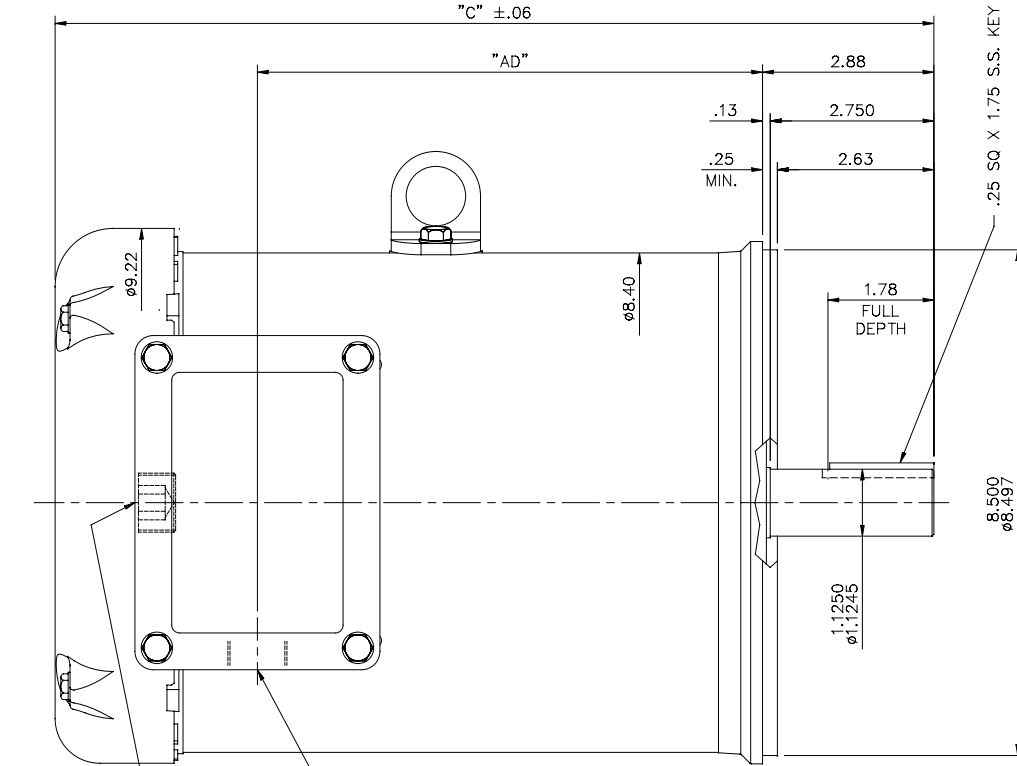
Nameplate Specifications

Output HP	5 Hp	Output KW	3.7 kW
Frequency	60 Hz	Voltage	230/460 V
Current	12.6/6.3 A	Speed	1760 rpm
Service Factor	1.15	Phase	3
Efficiency	89.5 %	Duty	Continuous
Insulation Class	F	Design Code	B
KVA Code	G	Frame	184TC
Enclosure	Totally Enclosed Fan Cooled	Overload Protector	No
Ambient Temperature	40 °C	Drive End Bearing Size	6207
Opp Drive End Bearing Size	6207	UL	Recognized
CSA	Y	CE	Y
IP Code	56		

Technical Specifications

Electrical Type	Squirrel Cage Induction Run	Starting Method	Across The Line
Poles	4	Rotation	Reversible
Mounting	Round	Motor Orientation	Horizontal
Drive End Bearing	Ball	Opp Drive End Bearing	Ball
Frame Material	Stainless Steel	Shaft Type	T
Overall Length	15.77 in	Frame Length	10.00 in
Shaft Diameter	1.125 in	Shaft Extension	2.87 in
Assembly/Box Mounting	F1/F2 Capable		
Outline Drawing	035438ME-1000	Connection Diagram	005010.01ME

This is an uncontrolled document once printed or downloaded and is subject to change without notice. Date Created: 06/29/2018



3/4-14 NPT CONDUIT HOLE WITH PIPE PLUG INSTALLED

3/4-14 NPT CONDUIT HOLE

(4) 1/2-13 UNC-2B X .75 DEEP ON A ø7.250 B.C. (WITH HOLE PLUG)

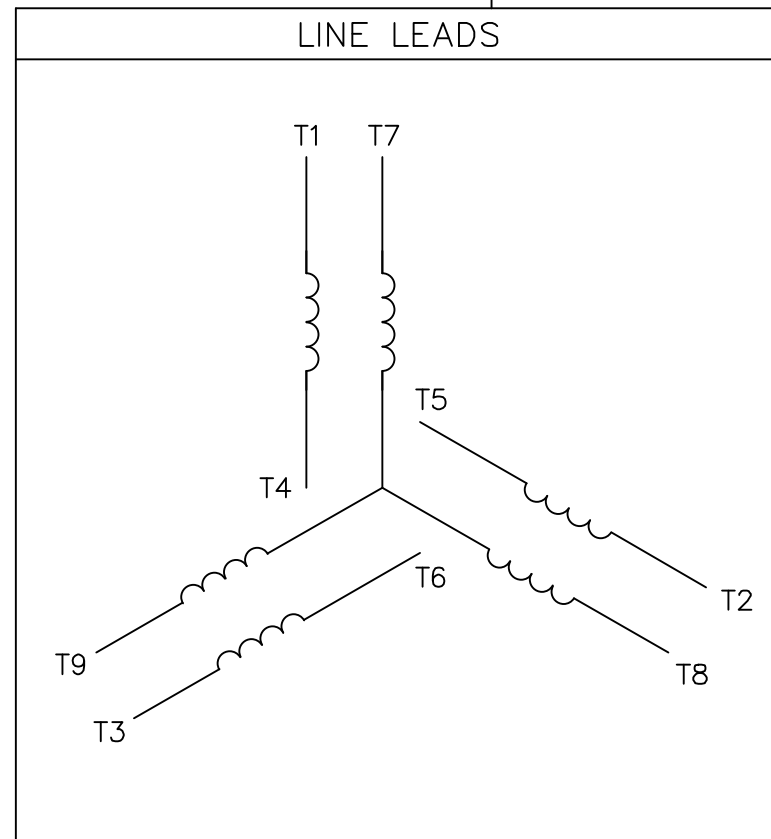
MAXIMUM FACE RUNOUT TO BE .004 T.I.R.
 MAXIMUM PILOT ECCENTRICITY TO BE .004 T.I.R.
 PERMISSIBLE SHAFT RUNOUT TO BE .002 T.I.R.

- SPECIAL FEATURES:**
- 1) DOUBLE LIP OIL SEALS BOTH ENDS
 - 2) GASKETS THROUGHOUT
 - 3) O-RING SEALED ENDBELLS & THRU BOLTS
 - 4) LOCKED BEARING W/SEALED LOCK SCREWS

DASH NO.	"C"	"AD"
850	14.27	7.99
900	14.77	8.49
950	15.27	8.99
1000	15.77	9.49

		TOLERANCES UNLESS SPECIFIED		MARATHON ELECTRIC		DRAWN TJW 7/6/2007	
		DEC.	INCHES			CHK ML 7/6/2007	
		.X	±.1			APPD GK 7/6/2007	
		.XX	±.03	TITLE		SCALE	1=2
02 ADDED DASH # 1000		LK	11/27/15	GR	.XXX	±.005	REF
01 ADDED DASH # 850		PVR	03/25/14	JD	.XXX	±.0005	FMF
NO. REVISION		BY & DATE		CHK	ANG	±1/2"	PREV
THIS DRAWING IN DESIGN AND DETAIL IS OUR PROPERTY AND MUST NOT BE USED EXCEPT IN CONNECTION WITH OUR WORK ALL RIGHTS OF DESIGN AND INVENTION ARE RESERVED THIS IS AN ELECTRONICALLY GENERATED DOCUMENT - DO NOT SCALE THIS PRINT				RFP	CAD FILE		035438ME
				DIST	NLV	SIZE	DRAWING NO.
						B	035438ME
							REV.
							02

VIEW FROM OUTSIDE OF MOTOR AT SWITCH END.



VOLTAGE	L1	L2	L3	JOIN & INSULATE
HIGH	T1	T2	T3	(T4,T7) (T5,T8) (T6,T9)
LOW	T1,T7	T2,T8	T3,T9	T4,T5,T6

		TOLERANCES UNLESS SPECIFIED		MARATHON ELECTRIC		DRAWN RDW 04/12/02	
		DEC.	INCHES			CHK	
		.X	±.1			APPD	
		.XX	±.01	TITLE		SCALE 1=1	
		.XXX	±.005	EXTERNAL WIRING DIAGRAM		REF FIG.2-51	
		.XXXX	±.0005	MAT'L.		FMF	
				DECAL - 004014		PREV	
NO.	REVISION	BY & DATE	CHK	ANG	±1/2'	FINISH	
			RFP	04/12/02		CAD FILE	00501001ME
			DIST			SIZE	A
						DRAWING NO.	005010-01ME
						REV.	

THIS DRAWING IN DESIGN AND DETAIL IS OUR PROPERTY AND MUST NOT BE USED EXCEPT IN CONNECTION WITH OUR WORK ALL RIGHTS OF DESIGN AND INVENTION ARE RESERVED THIS IS AN ELECTRONICALLY GENERATED DOCUMENT - DO NOT SCALE THIS PRINT

CERTIFICATION DATA SHEET

Model#: 184TTWD16032 AA **WINDING#:** T84170 FR 3
CONN. DIAGRAM: 005010.01ME **ASSEMBLY:** F1/F2 CAPABLE
OUTLINE: 035438ME-1000

TYPICAL MOTOR PERFORMANCE DATA

HP	KW	SYNC. RPM	F.L. RPM	FRAME	ENCLOSURE	KVA CODE	DESIGN
5&3	3.70&2.24	1800	1760&1475	184TC	TEFC	G	B

PH	Hz	VOLTS	FL AMPS	START TYPE	DUTY	INSL	S.F	AMB°C	ELEVATION
3	60/50	230/460#190/ 380	12.6/6.3&10/5	ACROSS THE LINE	CONTINUOU S	F4	1.15/1.15	40	3300

FULL LOAD EFF: 89.5&88.5	3/4 LOAD EFF: 90.2	1/2 LOAD EFF: 88.9	GTD. EFF	ELEC. TYPE	NO LOAD AMPS
FULL LOAD PF: 83&76	3/4 LOAD PF: 79.4	1/2 LOAD PF: 70.9	0	SQ CAGE IND RUN	4.8 / 2.4

F.L. TORQUE	LOCKED ROTOR AMPS	L.R. TORQUE	B.D. TORQUE	F.L. RISE°C
14.96 LB-FT	98 / 49	30.1 LB-FT 201	50.2 LB-FT 336	65

SOUND PRESSURE @ 3 FT.	SOUND POWER	ROTOR WK^2	MAX. WK^2	SAFE STALL TIME	STARTS /HOUR	APPROX. MOTOR WGT
0 dBA	10 dBA	0.485 LB-FT^2	0 LB-FT^2	10 SEC.	0	0 LBS.

***** SUPPLEMENTAL INFORMATION *****

DE BRACKET TYPE	ODE BRACKET TYPE	MOUNT TYPE	ORIENTATION	SEVERE DUTY	HAZARDOUS LOCATION	DRIP COVER	SCREENS	PAINT
C-FACE	STANDARD	ROUND	HORIZONTAL	FALSE	NONE	FALSE	NONE	WHITE - LEESON (EPOXY)

BEARINGS		GREASE	SHAFT TYPE	SPECIAL DE	SPECIAL ODE	SHAFT MATERIAL	FRAME MATERIAL
DE	OPE						
BALL	BALL	POLYREX EM	T	NONE	NONE	303 STAINLESS (C-501)	STAINLESS STEEL
6207	6207						

THERMO-PROTECTORS				THERMISTORS	CONTROL	SPACE /n HEATERS
THERMOSTATS	PROTECTORS	WDG RTDs	BRG RTDs			
NONE	NOT	NONE	NONE	NONE	FALSE	NONE VOLTS

If Inverter equals NONE, contact factory for further information

INVERTER TORQUE: NONE
INV. HP SPEED RANGE: NONE
ENCODER: NONE
NONE NONE
NONE NONE PPR
BRAKE: NONE NONE
NONE P/N NONE
NONE NONE
NONE FT-LB NONE V NONE Hz

*
N
O
T
E
S
*

DATE: 06/28/2017 07:45:09 AM
FORM 3531 REV.3 02/07/99

** Subject to change without notice.

Data Sheet

194TTWD16032



Submittal
Data @ 460 V

Date: 6/19/2017

Customer: _____
Attention: _____
Submitted by: FAREEDA DUDEKULA

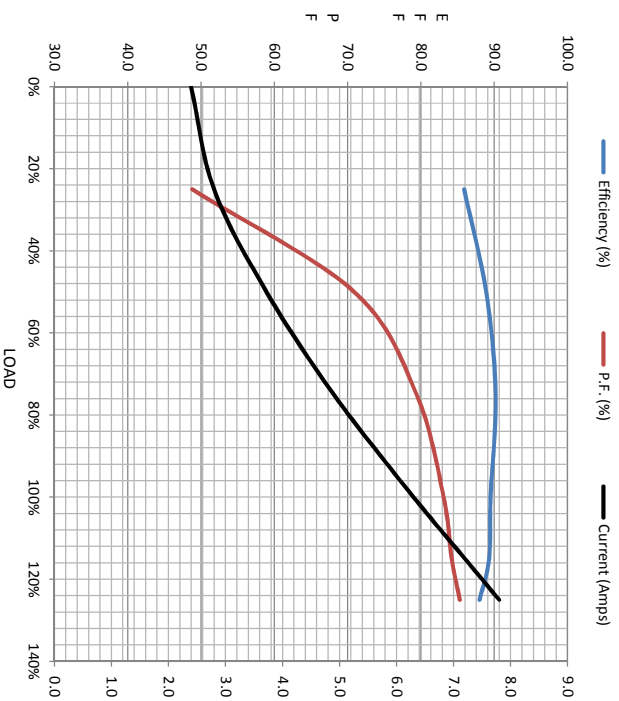
Load	Motor Load Data							LR
	0%	25%	50%	75%	100%	115%	125%	
Current (Amps)	2.40	2.80	3.7	4.9	6.3	7.2	7.8	49.0
Torque (ft-lb)	0.00	3.7	7.4	11.1	15.0	17.4	18.8	30.1
RPM	1800	1790	1779	1768	1760	1747	1742	0
Efficiency (%)		85.9	88.9	90.2	89.5	89.3	88.0	
P.F. (%)	6.8	48.8	70.9	79.4	83.1	84.2	85.3	0.0

Motor Speed Data

	LR	Pull-Up	BD	Rated	Idle
Speed (rpm)	0	900	1656	1760	1800
Current (Amps)	49.0	45.1	29.4	6.3	2.40
Torque (ft-lb)	30.1	29.8	50.2	15.0	0.00

Information Block

HP	5.0			
Sync. RPM	1800			
Frame	184			
Enclosure	TEFC			
Construction	TFW			
Voltage	30/460#190/38 V			
Frequency	60 Hz			
Design	B			
LR Code letter	J			
Service Factor	1.15			
Temp Rise @ FL	65 °C			
Duty	CONT			
Ambient	40 °C			
Elevation	1,000 feet			
Rotor/Shaft wk ^e	0.49 Lb-Fe			
Rel Wdg	T94170 FR			
Sound Pressure @ 1M	55 dBA			
VFD Rating	NONE			
Outline Dwg	035438ME-1000			
Conn. Diag	00501001ME			
Additional Specifications:				
EQUIV CKT (OHMS / PHASE)				
R1	R2	X1	X2	Xm
0.0000	0.0000	0.0000	0.0000	0.0000



Speed - Torque Curve

