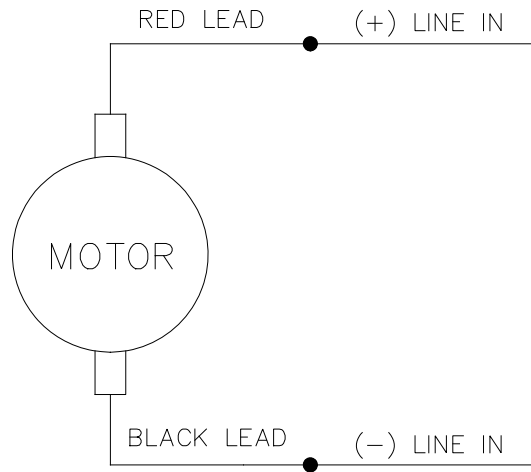



005319.01



CONNECTIONS SHOWN FOR CCW ROTATION FACING LEAD END OF THE MOTOR
TO REVERSE ROTATION INTERCHANGE LINE LEADS

				TOLERANCES UNLESS SPECIFIED		 ELECTRIC MOTORS GEARMOTORS AND DRIVES	DRAWN TJF 11/15/97		
				DEC.	INCHES		CHK		
				.X	±.1		APPD POW 11/15/97		
E	"MOTOR" WAS "ARMATURE", ECO-0163602	IPG	3/14/19	.XX	±.01	TITLE	EXTERNAL WIRING DIAGRAM		
D	UPDATED TO MAKE IT GENERIC, ECO-0163547	IPG	3/13/19	.XXX	±.005		PMDc MOTOR		
01	REDRAWN ON CAD. REVISED NOTES.	SJB	9/20/2005	.XXXX	±.0005	MAT'L.	SCALE 1=2		
NO.	REVISION	BY & DATE	CHK	ANG	±1/2'	FINISH	REF		
THIS DRAWING IN DESIGN AND DETAIL IS OUR PROPERTY AND MUST NOT BE USED EXCEPT IN CONNECTION WITH OUR WORK ALL RIGHTS OF DESIGN AND INVENTION ARE RESERVED THIS IS AN ELECTRONICALLY GENERATED DOCUMENT – DO NOT SCALE THIS PRINT				RFP	CAD FILE 00531901		SIZE	DRAWING NO.	REV.
				DIST			A	005319.01	E