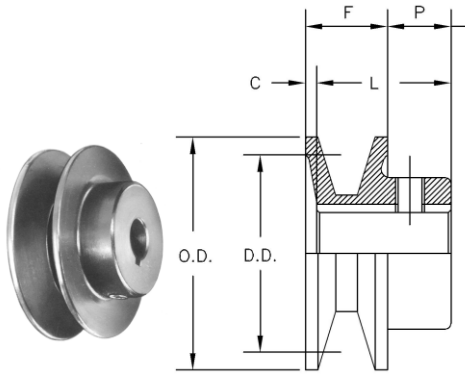




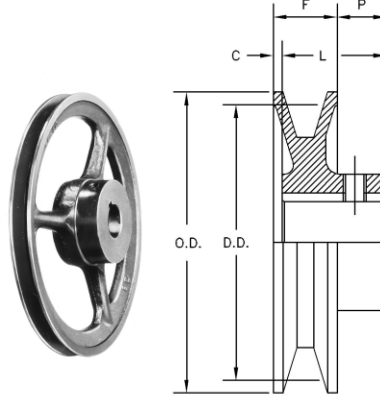
Hi-Q® cast iron sheaves-single groove for both "A" (4L) and "B" (5L) v-belts

STYLE 1



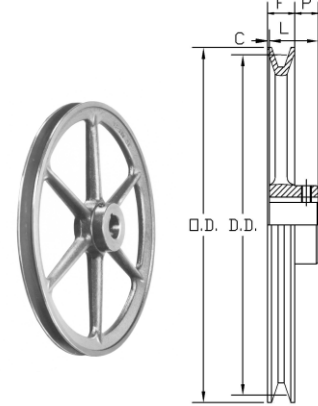
4200 - BK26

STYLE 2



BK27 - BC46

STYLE 3



BK50 - BK190

DIAMETERS IN INCHES			Part Number	Original Maurey Number	STOCK BORES MARKED "X" ^										DIMENSIONS IN INCHES				Overall Length Inches	Approx Weight in LBS.
Outside	Datum "B" Belt	Datum "A" Belt			1/2	5/8	3/4	7/8	1	1-1/8	1-3/16	1-1/4	1-3/8	1-7/16	F	L	P	C		
2.00	1.7		4200	---	X	X	X							7/8	1-9/32	1/2	3/32	1-3/8	0.5	
2.25	2.0		4225	---	X	X	X	X						7/8	1-9/32	1/2	3/32	1-3/8	0.7	
2.40	2.2	1.8	BK24	---	X	X	X	X	X					13/16	1-1/16	13/32	5/32	1-7/32	0.4	
2.50	2.1	1.7	BK25	4250	X	X	X	X	X					13/16	1-1/16	13/32	5/32	1-7/32	0.5	
2.60	2.2	1.8	BK26	4260	X	X	X	X	X					13/16	1-1/16	13/32	5/32	1-7/32	0.6	
2.70	2.5	2.1	BK27	---	X	X	X	X	X					13/16	1-1/16	13/32	5/32	1-7/32	0.6	
2.95	2.6	2.2	BK28	BC30/4300	X	X	X	X	X	X				13/16	1-1/16	13/32	5/32	1-7/32	0.8	
3.15	2.8	2.4	BK30	BC32	X	X	X	X	X	X				13/16	1-1/16	13/32	5/32	1-7/32	0.8	
3.35	3.0	2.6	BK32	BC34	X	X	X	X	X	X				13/16	1-1/16	13/32	5/32	1-7/32	0.8	
3.55	3.2	2.8	BK34	BC36	X	X	X	X	X	X				7/8	1-5/32	13/32	1/8	1-9/32	1.3	
3.75	3.4	3.0	BK36	BC38	X	X	X	X	X	X				7/8	1-5/32	13/32	1/8	1-9/32	1.5	
3.95	3.6	3.2	BK40	BC40	X	X	X	X	X	X				7/8	1-5/32	13/32	1/8	1-9/32	1.5	
4.15	3.8	3.4	BC42	---	X	X	X	X	X	X				7/8	1-5/16	5/8	3/16	1-1/2	2.1	
4.25	3.9	3.5	BK45	---	X	X	X	X	X	X				7/8	1-5/32	13/32	1/8	1-9/32	1.8	
4.35	4.0	3.6	BC44	---	X	X	X	X	X	X				7/8	1-7/16	11/16	1/8	1-9/16	2.3	
4.45	4.1	3.7	BK47	---	X	X	X	X	X	X				7/8	1-5/32	13/32	1/8	1-9/32	1.9	
4.55	4.2	3.8	BC46	---	X	X	X	X	X	X				7/8	1-7/16	11/16	1/8	1-9/16	2.6	
4.75	4.4	4.0	BK50	BC48	X	X	X	X	X	X				7/8	1-5/32	13/32	1/8	1-9/32	2.0	
4.95	4.6	4.2	BK52	BC50	X	X	X	X	X	X	X			7/8	1-5/32	13/32	1/8	1-9/32	2.0	
5.15	4.8	4.4	BC52	---	X	X	X	X	X	X				7/8	1-5/8	3/4	-	1-5/8	2.6	
5.25	4.9	4.5	BK55	---	X	X	X	X	X	X				7/8	1-5/32	13/32	1/8	1-9/32	2.2	
5.35	5.0	4.6	BC54	---	X	X	X	X	X	X	X			7/8	1-5/8	3/4	-	1-5/8	2.7	
5.45	5.1	4.7	BK57	---	X	X	X	X	X	X				7/8	1-5/32	13/32	1/8	1-9/32	2.3	
5.55	5.2	4.8	BC56	---	X	X	X	X	X	X	X			7/8	1-5/8	3/4	-	1-5/8	3.0	
5.75	5.4	5.0	BK60	BC58	X	X	X	X	X	X	X			7/8	1-5/32	13/32	1/8	1-9/32	2.3	
5.95	5.6	5.2	BK62	BC60	X	X	X	X	X	X	X			7/8	1-5/32	13/32	1/8	1-9/32	2.4	
6.15	5.8	5.4	BC62	---	X	X	X	X	X	X	X			7/8	1-5/8	3/4	-	1-5/8	4.2	
6.25	5.9	5.5	BK65	---	X	X	X	X	X	X	X			7/8	1-5/32	13/32	1/8	1-9/32	2.7	
6.35	6.0	5.6	BC64	---	X	X	X	X	X	X	X	X		7/8	1-5/8	3/4	-	1-5/8	4.7	
6.45	6.1	5.7	BK67	---	X	X	X	X	X	X	X			7/8	1-5/32	13/32	1/8	1-9/32	2.8	
6.55	6.2	5.8	BC66	---	X	X	X	X	X	X	X			7/8	1-5/8	3/4	-	1-5/8	3.2	
6.75	6.4	6.0	BK70	BC68	X	X	X	X	X	X	X			7/8	1-15/32	21/32*	1/16*	1-17/32	3.3	
6.95	6.6	6.2	BK72	BC70	X	X	X	X	X	X	X			7/8	1-15/32	21/32	1/16	1-17/32	3.9	
7.15	6.8	6.4	BC72	---		X	X	X	X	X	X			7/8	1-5/8	3/4	-	1-5/8	4.1	
7.25	6.9	6.5	BK75	BC73	X	X	X	X	X	X	X			7/8	1-15/32	21/32	1/16	1-17/32	3.9	
7.45	7.1	6.7	BK77	---		X	X	X	X	X	X			7/8	1-15/32	21/32	1/16	1-17/32	4.1	
7.75	7.4	7.0	BK80	BC78		X	X	X	X	X	X	X		7/8	1-15/32	21/32	1/16	1-17/32	4.4	
8.25	7.9	7.5	BK85	BC83		X	X	X	X	X	X	X		7/8	1-15/32	21/32	1/16	1-17/32	5.0	
8.75	8.4	8.0	BK90	BC88			X	X	X	X	X	X		7/8	1-15/32	21/32	1/16	1-17/32	5.0	
8.95	8.6	8.2	BC90	---		X	X	X	X	X	X	X		7/8	1-5/8	3/4	-	1-5/8	4.9	
9.25	8.9	8.5	BK95	BC93		X	X	X	X	X	X	X		7/8	1-15/32	21/32	1/16	1-17/32	5.4	
9.75	9.4	9.0	BK100	BC98		X	X	X	X	X	X	X		7/8	1-15/32	21/32	1/16	1-17/32	5.6	
10.25	9.9	9.5	BK105	---			X	X	X	X	X	X		7/8	1-15/32	21/32	1/16	1-17/32	5.8	
10.75	10.4	10.0	BK110	---			X	X	X	X	X	X		7/8	1-15/32	21/32	1/16	1-17/32	6.4	
11.25	10.9	10.5	BK115	---			X	X	X	X	X	X		7/8	1-15/32	21/32	1/16	1-17/32	6.9	
11.35	11.0	10.6	BC114	---		X	X		X	X	X	X		7/8	1-5/8	3/4	-	1-5/8	7.4	
11.75	11.4	11.0	BK120	BC118			X	X	X	X	X	X		7/8	1-15/32	21/32	1/16	1-17/32	7.4	
12.75	12.4	12.0	BK130	BC128			X	X	X	X	X	X		7/8	1-15/32	21/32	1/16	1-17/32	8.4	
13.75	13.4	13.0	BK140	---			X	X	X	X	X	X		7/8	1-15/32	21/32	1/16	1-17/32	9.4	
13.95	13.6	13.2	BC140	---			X	X	X	X	X	X		7/8	1-3/4	7/8	-	1-3/4	8.0	
15.75	15.4	15.0	BK160	BC158			X	X	X	X	X	X		7/8	1-15/32	21/32	1/16	1-17/32	11.4	
18.75	18.4	18.0	BK190	BC188			X	X	X	X	X	X		7/8	1-15/32	21/32	1/16	1-17/32	13.4	

^ For Standard Keyway Dimension Refer to Page A-2