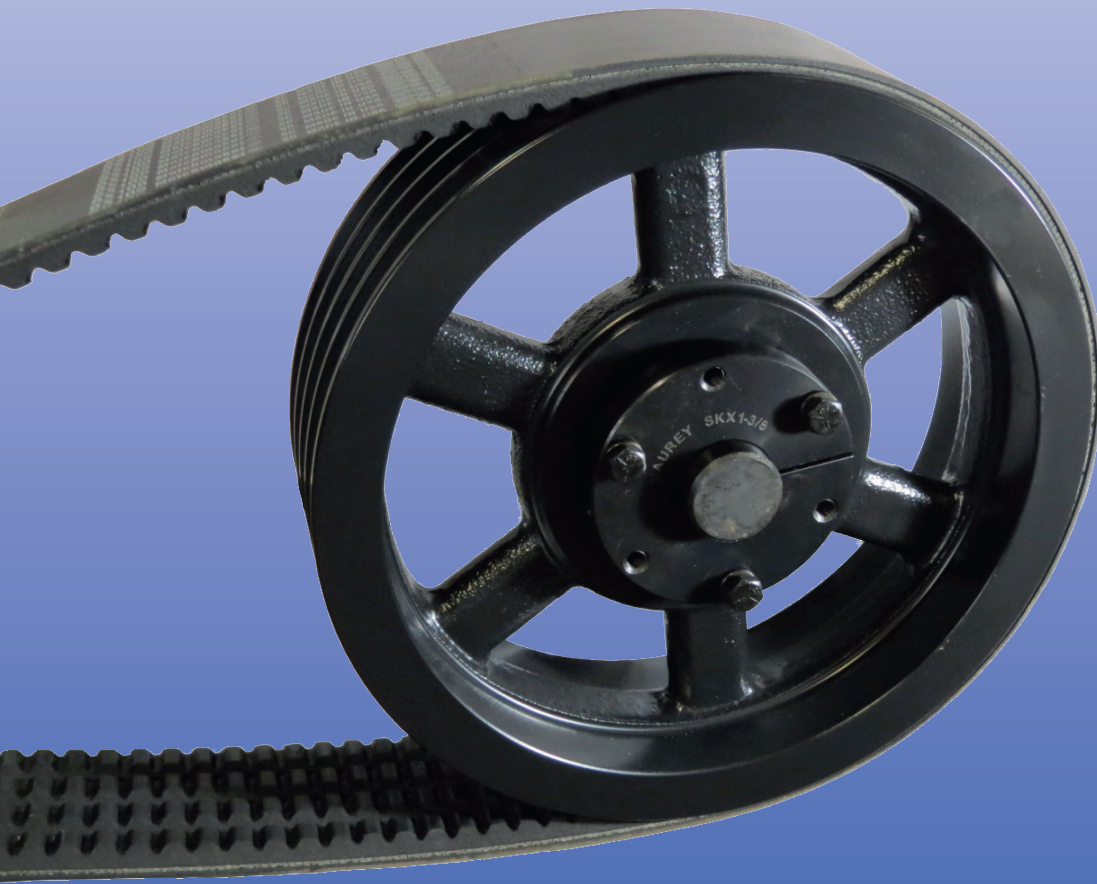




**maurey**

POWER TRANSMISSION PRODUCTS



# STANDARD PRODUCTS CATALOG

Continental 

ContiTech



# Table of Contents

<b>LIGHT DUTY SHEAVES AND ACCESSORIES</b> <ul style="list-style-type: none"> <li>● Part Numbers</li> <li>● Sizes</li> <li>● Dimensions</li> <li>● Weights</li> </ul>	Hi-Q* No-Hub Sheaves	A-1
	Reducing Bushings & XA Bushings	A-1
	Hi-Q* Bored to Size Sheaves up to 10 H.P. Groove	A2-A6
	HQ* Bushed-Type Sheaves up to 20 H.P.	A7-A8
	HQ* Bushings/ Weld-On Hubs For HQ Bushings	A-9
	Steel Shaft Collars	A-9
	HQ Bushing Installation Instructions	A-10
<b>AIR MOVEMENT SHEAVES</b> <ul style="list-style-type: none"> <li>● Dimensions</li> <li>● Weights</li> </ul>	Air Movement Sheaves	B1
	Variable Pitch Sheaves One and Two Groove up to 20 H.P.	B2-B5
	Variable Pitch Installation Instructions	B6-B7
	Nema Motor Standards	B8
<b>INTEGRAL H.P. SHEAVES/BUSHINGS</b> <ul style="list-style-type: none"> <li>● Part Numbers</li> <li>● Dimension/ Weights</li> </ul>	Ful-Grip* (QD) Bushings	C1-C5
	Installation and Removal of QD Sheaves	C6
	Split Barrel Sheaves and Bushings	C7-C8
	Multi-V Ful-Grip (QD Sheaves) - A, B, C, D	C9-C18
<b>WEDGE SHEAVES</b>	Super Wedge Sheaves - 3V, 5V, 8V	D1-D9
<b>TIMING PULLEYS</b> <ul style="list-style-type: none"> <li>● Dimension/ Weights</li> </ul>	Positive Drive*** Pulleys - XL, L, H, XH, XXH	E1-E11
	High Torque Drive Sprockets - 8M, 14M	E12-E16
<b>COUPLINGS</b> <ul style="list-style-type: none"> <li>● Part Numbers</li> <li>● Engineering Data</li> <li>● Drive Selection</li> <li>● Installation</li> </ul>	Hi-Q* & Hi-Flex* Couplings	F1-F5
	Sleeve Couplings	F6
	Rigid Bushed Couplings	F6
	Applications, Service Factors, and Coupling Selection Data	F7-F8
	Hi-Flex Coupling Installation Instructions	F9-F10
<b>VARIABLE SPEED DRIVES</b> <ul style="list-style-type: none"> <li>● Drive Selection</li> <li>● Dimensions</li> <li>● Engineering Data</li> </ul>	Spring Loaded Sheaves	G1-G2
	Manual Control Sheaves	G3
	Manual Control	G3
	Motor Bases	G3
	Variable Speed Drive Selection Data	G4-G7
<b>BELTS</b> <ul style="list-style-type: none"> <li>● V-Belts</li> <li>● Banded Belts</li> <li>● Synchronous Belts</li> <li>● Specialty Belts</li> </ul>	Hy-T** Plus Classical Belts - A, B, C, D	H1-H3
	FHP Belts - 2L, 3L, 4L, 5L	H4
	Torque Flex** Belts - AX, BX, CX	H5
	HY-T** Wedge Belts - 3VX, 3V, 5VX, 5V, 8V	H6-H7
	Hy-T** Torque Team** Belts - BX, CX, D	H8-H9
	Hy-T** Wedge Torque Team** Belts - 3VX, 3V, 5VX, 5V, 8V	H10-H11
	Torque Team** (Laminated) Belts - 5VL	H11
	Hex Belts - AA, BB, CC, CCP	H12
	Poly-V** Belts - J, L, M	H13
	Positive Drive Pd** Belts - XL, L, H, XH, XXH	H14-H15
	Hawk Pd** Belts - 5M, 8M, 14M, 20M	H16-H17
	SilentSync** Belts & Sprockets	H18-H21
	Falcon Pd** Belts	H22
	Dual Positive Drive & HPPD Belts - D-XL, D-L, D-H, D-8M, D-14M	H23-H24
	Variable Speed Belts	H25-H26
	Open End Positive Drive Pd** Belts - XL, L, H	H27
	V-Link Belting	H27
	Open End V-Belting - A, B, C, D	H27
	Cotton Ginning Belts & Pulleys - CCP	H27



In early 2015, Continental AG completed its acquisition of Veyance Technologies, Inc. As a result, Veyance no longer uses the Goodyear brand. There has been a transition of their main power transmission product branding to Continental-ContiTech. Rest assured, the change in brand does not affect the product construction, the same quality manufacturing and supply chain remains at your service.

Continental AG brings with it a long history of innovation and quality. Founded in 1871, it is one of the oldest and largest Rubber Manufacturer's in the world. It brings with it an almost 150 year commitment to operational excellence and product innovations. The strengths of these two great companies are now joined to bring advanced rubber and plastics solutions to you. Look forward to product announcements in the 2015/2016 that will improve your efficiency and bottom line. Continental AG's commitment of resources to current operations and future expansions of product ensure a future with more drive solutions to meet the demands of industry.



### **Engineering that drives innovation**

Through research and development, Continental ContiTech continuously evolves their products to improve value. It is also why they are considered a global industry leader. Engineering is why their world-class innovations meet the increasing demands for improved drive efficiency as well as longer belt life, all while delivering uncompromised value.

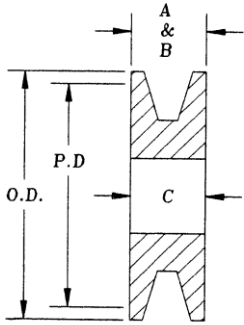
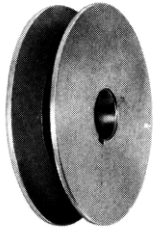
### **Installation that drives uptime**

From initial installation to routine maintenance checks, together we offer the tools that make your job easier. Reliable, accurate and simple to use, they help keep your operation running efficiently and with less downtime – so you can be on your way to better productivity and profitability.





# Hi-Q® bar steel no hub sheaves for "O" (3L), "A" (4L) and "B" (5L) v-belts



FIXED BORE TYPE

No hub sheaves are zinc phosphated for rust resistance

When ordering specify bore with part number:

For example order NH4300 x 1/2"

for "O" (3L) and "A" (4L) v-belts												
DIAMETER, INCHES			PART NO.	STOCK BORES MARKED "X"							Overall Width Inches	Approx. Weight Lbs.
O.D.	D.D. 4L ("A")	D.D. 3L ("O")		3/8 In	1/2 In	5/8 In	3/4 In	7/8 In	1 In	1-1/8 In		
2.0	1.7		NH2200	X	X	X*	X*				5/8	0.3
2.1	1.8	1.5	NH2210	X	X	X*	X*				5/8	0.3
2.2	1.9	1.6	NH2220		X	X*	X*				5/8	0.3
2.3	2.0	1.7	NH2230		X	X*	X*				5/8	0.4
2.5	2.2	1.9	NH2250		X	X	X	X*	X*	X*	5/8	0.5
2.6	2.3	2.0	NH2260		X	X	X	X			5/8	0.6
2.7	2.4	2.1	NH2270		X	X	X	X	X*		5/8	0.7
2.8	2.5	2.2	NH2280		X	X	X	X	X		5/8	0.7
3.0	2.7	2.4	NH2300		X	X	X	X	X	X	5/8	0.9
3.2	2.9	2.6	NH2320		X	X	X	X	X	X	5/8	1.0
3.4	3.1	2.8	NH2340		X	X	X	X	X	X	5/8	1.2

for "A" (4L) and "B" (5L) v-belts												
DIAMETER, INCHES			PART NO.	STOCK BORES MARKED "X"							Overall Width Inches	Approx. Weight Lbs.
O.D.	D.D. 5L ("B")	D.D. 4L ("A")		3/8 In	1/2 In	5/8 In	3/4 In	7/8 In	1 In	1-1/8 In		
2.4	2.0		NH4240	X	X	X*	X*	X*			3/4	0.5
2.5	2.1		NH4250	X	X	X*	X*	X*	X*		3/4	0.5
2.6	2.2	1.8	NH4260		X	X	X*				3/4	0.6
2.7	2.3	1.9	NH4270		X	X	X*	X*	X*		3/4	0.6
2.8	2.4	2.0	NH4280		X	X	X	X*	X*		3/4	0.7
2.9	2.5	2.1	NH4290		X	X	X	X	X*	X*	3/4	0.9
3.0	2.6	2.2	NH4300		X	X	X	X	X*	X*	3/4	1.0
3.2	2.8	2.3	NH4320		X	X	X	X	X*	X*	3/4	1.1
3.4	3.0	2.4	NH4340		X	X	X	X	X	X	3/4	1.3
3.6	3.2	2.6	NH4360		X	X	X	X	X	X	3/4	1.4
3.8	3.4	2.8	NH4380		X	X	X	X	X	X	3/4	1.5
4.0	3.6	3.2	NH4400		X	X	X	X	X	X	3/4	2.2

One Setscrew - Hollow Head, Cup Point

\*Setscrew @ 90 Degrees to Keyway (No Setscrew Over Keyway)

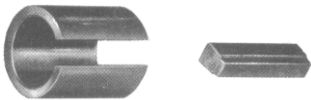
For Standard Keyway Dimensions Refer to Table on Page A-2



# Hi-Q® reducing bushings for light duty sheaves

## type XA bushing

For all 1" Fixed Bore Single Groove Sheaves. Packed and labeled five to a carton. Order in multiples of five (not sold in broken lots)



Part Number	O.D. Inches	Stock Bores Inches	Wt Each
XA	1	1/2, 5/8, 3/4, 7/8	.2 lbs

\* 1/2 and 5/8 Bores Have No Keyway Through Bushing

## steel reducing bushings



Each bushing ground to fit and has clearance hole for set screw

Order In Multiples of 5 pcs. Not Sold in Broken Lots.

Inside diameter has no keyway

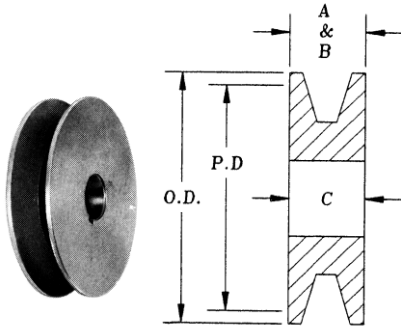
PART NUMBER	DIAMETER		LENGTH INCHES
	O.D.	I.D.	
1401	1/2	1/4	1-1/8
1402	1/2	5/16	1-1/8
1403	1/2	3/8	1-1/8
1426	1/2	7/16	1-1/4
1404	5/8	7/16	1-1/4
1405	5/8	1/2	1-1/8
1406	3/4	1/2	1-1/4
1408	3/4	5/8	1-1/4
1419	7/8	5/8	1-1/4
1420	7/8	3/4	1-1/4
1418	1	5/8	1-1/4
1410	1	3/4	1-1/4
1412	1	7/8	1-1/4
1427	1-1/8	1	1-1/4
1423	1-3/16	1	1-1/4
1425	1-1/4	3/4	1-1/4
1428	1-1/4	7/8	1-1/4
1414	1-1/4	1	1-1/4
1416	1-1/4	1-1/8	1-1/4



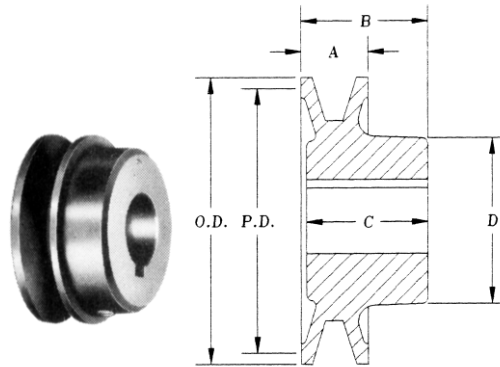


# Hi-Q® cast iron sheaves-single groove for "O" (3L) v-belts

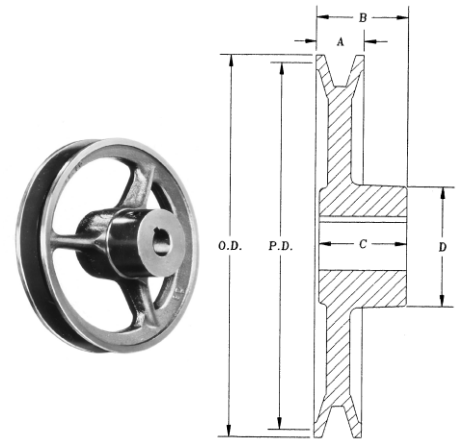
STYLE 1



STYLE 2



STYLE 3



Solid Bar Steel OS14-OS27

Solid Cast Iron OS32 and OS37

Spoked Cast Iron OS42-OS102

DIAMETER		PART NUMBER	STYLE	STOCK BORES MARKED "X" ^						MAX BORE INCHES	DIMENSION v - Inches				APPROX. WT LBS.
O.D. INCHES	P.D. INCHES			3/8	1/2	5/8	3/4	7/8	1		A	B	C	D	
1.42	1.25	OS14	1	X	X					1/2	1/2	1/2		.3	
1.67	1.50	OS17	1	X	X	X				3/4	1/2	1/2		.4	
1.92	1.75	OS19	1	X	X	X	X			3/4	1/2	1/2		.4	
2.17	2.00	OS22	1	X	X	X	X			3/4	1/2	1/2		.4	
2.42	2.25	OS24	1	X	X	X	X			3/4	1/2	1/2		.5	
2.67	2.50	OS27	1		X	X	X	X		7/8	1/2	1/2		.7	
3.17	3.00	OS32	2		X	X	X	X	X	1	5/8	1-1/16	1-1/16	1-53/64	1.1
3.67	3.50	OS37	2		X	X	X	X	X	1	5/8	1-1/16	1-1/16	1-53/64	1.3
4.17	4.00	OS42	3		X	X	X	X	X	1	5/8	1-1/16	1-1/16	1-5/8	1.6
4.67	4.50	OS47	3	X	X	X	X	X	X	1	5/8	1-1/16	1-1/16	1-5/8	1.7
5.17	5.00	OS52	3		X	X	X	X	X	1	5/8	1-1/16	1-1/16	1-5/8	1.9
6.17	6.00	OS62	3		X	X	X	■	X	1	5/8	1-3/16	1-1/8	1-7/8	2.2
7.17	7.00	OS72	3		X	X	X	■	X	1	5/8	1-3/16	1-1/8	1-7/8	2.4
8.17	8.00	OS82	3		X	X	X	■	X	1	5/8	1-3/16	1-1/8	1-7/8	2.7
9.17	9.00	OS92	3		X	X	X	■	X	1	5/8	1-3/16	1-1/8	1-7/8	3.1
10.17	10.00	OS102	3			X	X	■	X	1	5/8	1-3/16	1-1/8	1-7/8	3.6

^ For Standard Keyway Dimension Refer to Table Below

Setscrews-Hollow Head, Cup Point

■ Non-Stock Bores are Special and Noncancellable (Additional Charges Apply)

v Held to Commercially Acceptable Tolerances

## STANDARD KEYWAYS FOR LIGHT DUTY SHEAVES

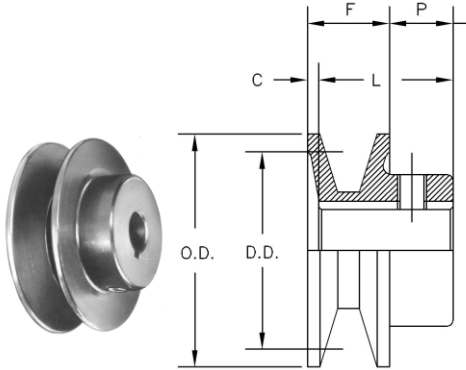
BORE (INCHES)	KEYSEAT
3/8, 7/16, 1/2, 9/16	NONE
5/8, 11/16, 3/4, 13/16, 7/8	3/16 x 3/32
15/16, 1, 1-1/16, 1-1/8, 1-3/16, 1-1/4	1/4 x 1/8
1-15/16, 1-3/8	5/16 x 5/32
1-7/16, 1-1/2	3/8 x 3/16

BORE (mm)	KEYSTOCK
14, 15, 16	5 x 5
18, 19, 20, 22	6 x 6
24, 25, 28, 30	8 x 7
32, 35, 38	10 x 8



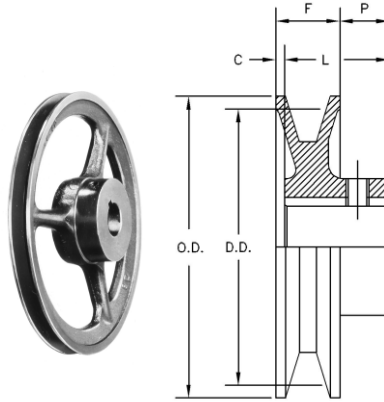
# Hi-Q® cast iron sheaves-single groove for both "O" (3L) and "A" (4L) v-belts

STYLE 1



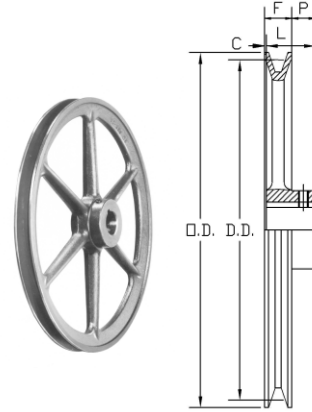
2150 - AK23

STYLE 2



2240 - AK41

STYLE 3



AK44 - AK184

DIAMETERS IN INCHES			Part Number	Original Maurey Number	STOCK BORES MARKED "X" ^										DIMENSIONS IN INCHES				Overall Length Inches	Approx. Weight in LBS.
Outside	Datum "A" Belt	Datum "O" Belt			1/2	5/8	3/4	7/8	1	1-1/8	1-3/16	1-1/4	1-3/8	1-7/16	F	L	P	C		
1.50	1.3	---	2150	---	X	X+								5/8	1-1/16	7/16	0	1-1/16	0.2	
1.75	1.5	---	AK17	2175	X	X	2175**							21/32	15/16	7/16	5/32	1-3/32	0.2	
2.00	1.7	---	AK20	2200	X	X	X	2200**						21/32	15/16	7/16	5/32	1-3/32	0.3	
2.10	1.8	1.5	AK21	2210	X	X	X	2210**						21/32	15/16	7/16	5/32	1-3/32	0.4	
2.20	2.0	1.7	AK22	2225	X	X	X	2225**	2225**					21/32	15/16	7/16	5/32	1-3/32	0.5	
2.30	2.1	1.8	AK23	---	X	X	X	X						21/32	15/16	7/16	5/32	1-3/32	0.5	
2.40	2.1	1.8	2240	---	X	X	X	X	X					3/4	1-1/8	9/16	3/16	1-5/16	0.8	
2.50	2.2	1.9	AK25	2250	X	X	X	X	2250**					21/32	15/16	7/16	5/32	1-3/32	0.5	
2.60	2.3	2.0	AK26	2260	X	X	X	X	2260**					21/32	15/16	7/16	5/32	1-3/32	0.5	
2.70	2.5	2.2	AK27	2275	X	X	X	X	X					21/32	15/16	7/16	5/32	1-3/32	0.6	
2.80	2.6	2.3	AK28	---	X	X	X	X	X					21/32	15/16	7/16	5/32	1-3/32	0.7	
3.00	2.7	2.4	2300	---	X	X	X	X	X					3/4	1-1/8	9/16	3/16	1-5/16	1.1	
3.05	2.8	2.5	AK30	AC31	X	X	X	X	X	X				21/32	15/16	7/16	5/32	1-3/32	0.7	
3.25	3.0	2.7	AK32	AC33	X	X	X	X	X	X				21/32	15/16	7/16	5/32	1-3/32	0.7	
3.45	3.2	2.9	AK34	AC35	X	X	X	X	X	X				21/32	15/16	7/16	5/32	1-3/32	0.9	
3.75	3.5	3.2	AK39	AC38	X	X	X	X	X	X				3/4	1-5/32	15/32	1/16	1-7/32	1.4	
3.95	3.7	3.4	AK41	AC40	X	X	X	X	X	X				3/4	1-5/32	15/32	1/16	1-7/32	1.5	
4.25	4.0	3.7	AK44	AC43	X	X	X	X	X	X				3/4	1-5/32	15/32	1/16	1-7/32	1.5	
4.45	4.2	3.9	AK46	AC45	X	X	X	X	X	X				3/4	1-5/32	15/32	1/16	1-7/32	1.5	
4.75	4.5	4.2	AK49	AC48	X	X	X	X	X	X				3/4	1-5/32	15/32	1/16	1-7/32	1.7	
4.95	4.7	4.4	AK51	AC50	X	X	X	X	X	X				3/4	1-5/32	15/32	1/16	1-7/32	1.7	
5.25	5.0	4.7	AK54	AC53	X	X	X	X	X	X	X			3/4	1-5/32	15/32	1/16	1-7/32	1.8	
5.45	5.2	4.9	AK56	AC55	X	X	X	X	X	X	X			3/4	1-5/32	15/32	1/16	1-7/32	1.9	
5.75	5.5	5.2	AK59	AC58	X	X	X	X	X	X	X			3/4	1-5/32	15/32	1/16	1-7/32	2.0	
5.95	5.7	5.4	AK61	AC60	X	X	X	X	X	X	X			3/4	1-5/32	15/32	1/16	1-7/32	2.1	
6.25	6.0	5.7	AK64	AC63	X	X	X	X	X	X				3/4	1-5/32	15/32	1/16	1-7/32	2.2	
6.45	6.2	5.9	AK66	AC65	X	X	X	X	X	X	X			3/4	1-5/32	15/32	1/16	1-7/32	2.3	
6.75	6.5	6.2	AK69	AC68			X		X	X				3/4	1-15/32	23/32	0	1-15/32	3.5	
6.95	6.7	6.4	AK71	AC70	X	X	X	X	X	X	X			3/4	1-15/32	23/32	0	1-15/32	3.8	
7.25	7.0	6.7	AK74	AC73	X*	X*	X*	X*	X*	X*	X	X		3/4	1-15/32	23/32	0	1-15/32	3.4	
7.75	7.5	7.2	AK79	AC78			X		X	X			X	3/4	1-15/32	23/32	0	1-15/32	4.0	
7.95	7.7	7.4	AC80	---	X	X	X	X	X	X	X			3/4	1-5/8	7/8	0	1-5/8	3.9	
8.25	8.0	7.7	AK84	AC83	X*	X*	X*	X*	X*	X	X			3/4	1-15/32	23/32	0	1-15/32	3.8	
8.75	8.5	8.2	AK89	---			X		X	X			X	3/4	1-15/32	23/32	0	1-15/32	4.3	
8.95	8.7	8.4	AC90	---	X	X	X	X	X	X		X		3/4	1-5/8	7/8	0	1-5/8	4.4	
9.25	9.0	8.7	AK94	AC93		X*	X*	X*	X*	X	X			3/4	1-15/32	23/32	0	1-15/32	4.5	
9.75	9.5	9.2	AK99	---			X		X				X	3/4	1-15/32	23/32	0	1-15/32	5.3	
9.95	9.7	9.4	AC100	---		X	X	X	X	X				3/4	1-5/8	7/8	0	1-5/8	5.6	
10.25	10.0	9.7	AK104	AC103		X*	X*	X*	X*	X	X			3/4	1-15/32	23/32	0	1-15/32	5.1	
10.75	10.5	10.2	AK109	---			X		X				X	3/4	1-15/32	23/32	0	1-15/32	5.8	
10.95	10.7	10.4	AC110	---			X		X	X				3/4	1-5/8	7/8	0	1-5/8	5.9	
11.25	11.0	10.7	AK114	AC113		X*	X*	X*	X*	X	X		X	3/4	1-15/32	23/32	0	1-15/32	5.6	
11.95	11.7	11.4	AC120	---	X	X	X	X	X	X	X	X		3/4	1-5/8	7/8	0	1-5/8	6.4	
12.25	12.0	11.7	AK124	AC123		X*	X*	X*	X*	X	X		X	3/4	1-15/32	23/32	0	1-15/32	6.5	
12.95	12.7	12.4	AC130	---			X		X	X				7/8	1-5/8	7/8	0	1-5/8	7.3	
13.25	13.0	12.7	AK134	AC133			X		X	X			X	3/4	1-15/32	23/32	0	1-15/32	7.5	
13.95	13.7	13.4	AK140	---		X	X		X	X	X			7/8	1-5/8	7/8	0	1-5/8	9.7	
14.25	14.0	13.7	AK144	AC143		X	X		X	X	X		X	3/4	1-15/32	23/32	0	1-15/32	8.5	
14.95	14.7	14.4	AC150	---					X	X			X	7/8	1-3/4	1	0	1-3/4	10.4	
15.25	15.0	14.7	AK154	AC153			X		X				X	3/4	1-15/32	23/32	0	1-15/32	9.8	
18.25	18.0	17.7	AK184	AC183			X		X				X	3/4	1-15/32	23/32	0	1-15/32	12.1	

+ No Keyway

^ For Standard Keyway Dimension Refer to Page A-2

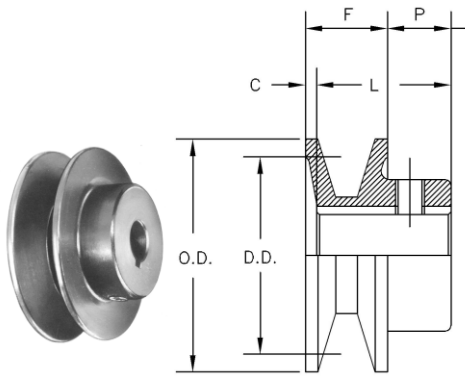
\* 1" Bore and Smaller C=1/16 and P=25/32

\*\* Bore Size Available in Only Maurey Original Design. Specify Original Maurey Part Number When Ordering.



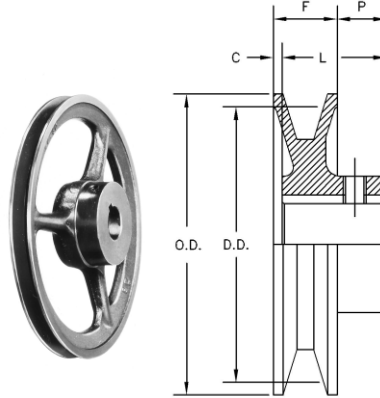
# Hi-Q® cast iron sheaves-single groove for both "A" (4L) and "B" (5L) v-belts

STYLE 1



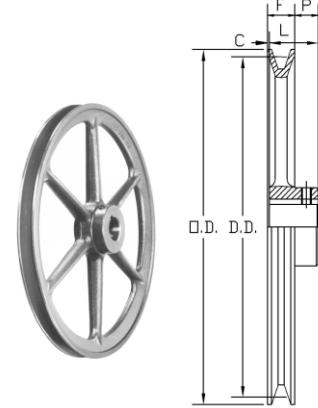
4200 - BK26

STYLE 2



BK27 - BC46

STYLE 3



BK50 - BK190

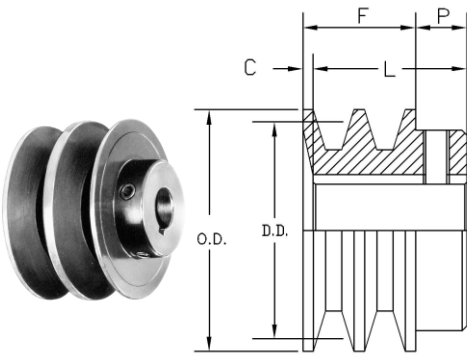
DIAMETERS IN INCHES			Part Number	Original Maurey Number	STOCK BORES MARKED "X" ^										DIMENSIONS IN INCHES				Overall Length Inches	Approx Weight in LBS.
Outside	Datum "B" Belt	Datum "A" Belt			1/2	5/8	3/4	7/8	1	1-1/8	1-3/16	1-1/4	1-3/8	1-7/16	F	L	P	C		
2.00	1.7		4200	---	X	X	X							7/8	1-9/32	1/2	3/32	1-3/8	0.5	
2.25	2.0		4225	---	X	X	X	X						7/8	1-9/32	1/2	3/32	1-3/8	0.7	
2.40	2.2	1.8	BK24	---	X	X	X	X	X					13/16	1-1/16	13/32	5/32	1-7/32	0.4	
2.50	2.1	1.7	BK25	4250	X	X	X	X	X					13/16	1-1/16	13/32	5/32	1-7/32	0.5	
2.60	2.2	1.8	BK26	4260	X	X	X	X	X					13/16	1-1/16	13/32	5/32	1-7/32	0.6	
2.70	2.5	2.1	BK27	---	X	X	X	X	X					13/16	1-1/16	13/32	5/32	1-7/32	0.6	
2.95	2.6	2.2	BK28	BC30/4300	X	X	X	X	X	X				13/16	1-1/16	13/32	5/32	1-7/32	0.8	
3.15	2.8	2.4	BK30	BC32	X	X	X	X	X	X				13/16	1-1/16	13/32	5/32	1-7/32	0.8	
3.35	3.0	2.6	BK32	BC34	X	X	X	X	X	X				13/16	1-1/16	13/32	5/32	1-7/32	0.8	
3.55	3.2	2.8	BK34	BC36	X	X	X	X	X	X				7/8	1-5/32	13/32	1/8	1-9/32	1.3	
3.75	3.4	3.0	BK36	BC38	X	X	X	X	X	X				7/8	1-5/32	13/32	1/8	1-9/32	1.5	
3.95	3.6	3.2	BK40	BC40	X	X	X	X	X	X				7/8	1-5/32	13/32	1/8	1-9/32	1.5	
4.15	3.8	3.4	BC42	---	X	X	X	X	X	X				7/8	1-5/16	5/8	3/16	1-1/2	2.1	
4.25	3.9	3.5	BK45	---	X	X	X	X	X	X				7/8	1-5/32	13/32	1/8	1-9/32	1.8	
4.35	4.0	3.6	BC44	---	X	X	X	X	X	X				7/8	1-7/16	11/16	1/8	1-9/16	2.3	
4.45	4.1	3.7	BK47	---	X	X	X	X	X	X				7/8	1-5/32	13/32	1/8	1-9/32	1.9	
4.55	4.2	3.8	BC46	---	X	X	X	X	X	X				7/8	1-7/16	11/16	1/8	1-9/16	2.6	
4.75	4.4	4.0	BK50	BC48	X	X	X	X	X	X				7/8	1-5/32	13/32	1/8	1-9/32	2.0	
4.95	4.6	4.2	BK52	BC50	X	X	X	X	X	X	X			7/8	1-5/32	13/32	1/8	1-9/32	2.0	
5.15	4.8	4.4	BC52	---	X	X	X	X	X	X				7/8	1-5/8	3/4	-	1-5/8	2.6	
5.25	4.9	4.5	BK55	---	X	X	X	X	X	X				7/8	1-5/32	13/32	1/8	1-9/32	2.2	
5.35	5.0	4.6	BC54	---	X	X	X	X	X	X	X			7/8	1-5/8	3/4	-	1-5/8	2.7	
5.45	5.1	4.7	BK57	---	X	X	X	X	X	X				7/8	1-5/32	13/32	1/8	1-9/32	2.3	
5.55	5.2	4.8	BC56	---	X	X	X	X	X	X	X			7/8	1-5/8	3/4	-	1-5/8	3.0	
5.75	5.4	5.0	BK60	BC58	X	X	X	X	X	X	X			7/8	1-5/32	13/32	1/8	1-9/32	2.3	
5.95	5.6	5.2	BK62	BC60	X	X	X	X	X	X	X			7/8	1-5/32	13/32	1/8	1-9/32	2.4	
6.15	5.8	5.4	BC62	---	X	X	X	X	X	X	X			7/8	1-5/8	3/4	-	1-5/8	4.2	
6.25	5.9	5.5	BK65	---	X	X	X	X	X	X	X			7/8	1-5/32	13/32	1/8	1-9/32	2.7	
6.35	6.0	5.6	BC64	---	X	X	X	X	X	X	X			7/8	1-5/8	3/4	-	1-5/8	4.7	
6.45	6.1	5.7	BK67	---	X	X	X	X	X	X	X			7/8	1-5/32	13/32	1/8	1-9/32	2.8	
6.55	6.2	5.8	BC66	---	X	X	X	X	X	X	X			7/8	1-5/8	3/4	-	1-5/8	3.2	
6.75	6.4	6.0	BK70	BC68	X	X	X	X	X	X	X			7/8	1-15/32	21/32*	1/16*	1-17/32	3.3	
6.95	6.6	6.2	BK72	BC70	X	X	X	X	X	X	X			7/8	1-15/32	21/32	1/16	1-17/32	3.9	
7.15	6.8	6.4	BC72	---		X	X	X	X	X	X			7/8	1-5/8	3/4	-	1-5/8	4.1	
7.25	6.9	6.5	BK75	BC73	X	X	X	X	X	X	X			7/8	1-15/32	21/32	1/16	1-17/32	3.9	
7.45	7.1	6.7	BK77	---		X	X	X	X	X	X			7/8	1-15/32	21/32	1/16	1-17/32	4.1	
7.75	7.4	7.0	BK80	BC78		X	X	X	X	X	X	X		7/8	1-15/32	21/32	1/16	1-17/32	4.4	
8.25	7.9	7.5	BK85	BC83		X	X	X	X	X	X	X		7/8	1-15/32	21/32	1/16	1-17/32	5.0	
8.75	8.4	8.0	BK90	BC88			X	X	X	X	X	X		7/8	1-15/32	21/32	1/16	1-17/32	5.0	
8.95	8.6	8.2	BC90	---		X	X	X	X	X	X	X		7/8	1-5/8	3/4	-	1-5/8	4.9	
9.25	8.9	8.5	BK95	BC93		X	X	X	X	X	X	X		7/8	1-15/32	21/32	1/16	1-17/32	5.4	
9.75	9.4	9.0	BK100	BC98		X	X	X	X	X	X	X		7/8	1-15/32	21/32	1/16	1-17/32	5.6	
10.25	9.9	9.5	BK105	---			X	X	X	X	X	X		7/8	1-15/32	21/32	1/16	1-17/32	5.8	
10.75	10.4	10.0	BK110	---			X	X	X	X	X	X		7/8	1-15/32	21/32	1/16	1-17/32	6.4	
11.25	10.9	10.5	BK115	---			X	X	X	X	X	X		7/8	1-15/32	21/32	1/16	1-17/32	6.9	
11.35	11.0	10.6	BC114	---		X	X		X	X	X	X		7/8	1-5/8	3/4	-	1-5/8	7.4	
11.75	11.4	11.0	BK120	BC118			X	X	X	X	X	X		7/8	1-15/32	21/32	1/16	1-17/32	7.4	
12.75	12.4	12.0	BK130	BC128			X	X	X	X	X	X		7/8	1-15/32	21/32	1/16	1-17/32	8.4	
13.75	13.4	13.0	BK140	---			X	X	X	X	X	X		7/8	1-15/32	21/32	1/16	1-17/32	9.4	
13.95	13.6	13.2	BC140	---			X	X	X	X	X	X		7/8	1-3/4	7/8	-	1-3/4	8.0	
15.75	15.4	15.0	BK160	BC158			X	X	X	X	X	X	X	7/8	1-15/32	21/32	1/16	1-17/32	11.4	
18.75	18.4	18.0	BK190	BC188			X	X	X	X	X	X	X	7/8	1-15/32	21/32	1/16	1-17/32	13.4	

^ For Standard Keyway Dimension Refer to Page A-2



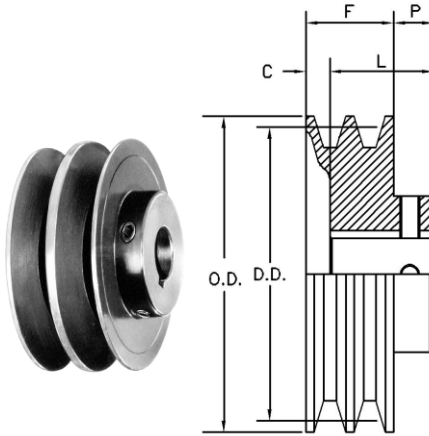
# Hi-Q® cast iron sheaves-two groove for both "O" (3L) and "A" (4L) belts

STYLE 1



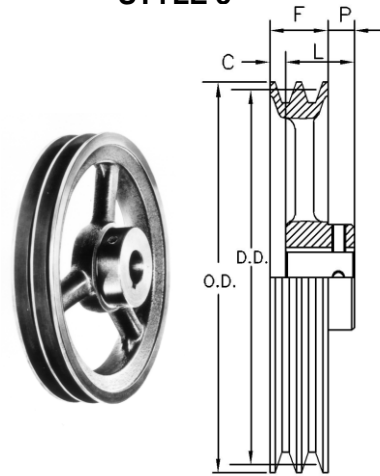
2AK20 - 2AK34

STYLE 2



2AK39 - 2AK51

STYLE 3



2AK54 - 2AK184

DIAMETERS IN INCHES			Part Number	Original Maurey Number	STOCK BORES MARKED "X" ^										DIMENSIONS IN INCHES				Overall Length Inches	Approx. Weight in LBS.
Outside	Datum "A" Belt	Datum "O" Belt			1/2	5/8	3/4	7/8	1	1-1/8	1-3/16	1-1/4	1-3/8	1-7/16	F	L	P	C		
2.00	1.7		2AK20	D2200	X	X	X	X							1-3/8	1-21/32	15/32	3/16	1-27/32	0.8
2.15	1.9	1.6	2AK21	---	X	X	X	X							1-3/8	1-21/32	15/32	3/16	1-27/32	0.9
2.25	2.0	1.7	2AK22	D2225	X	X	X	X	X						1-3/8	1-21/32	15/32	3/16	1-27/32	0.9
2.35	2.1	1.8	2AK23	---	X	X	X	X	X						1-3/8	1-21/32	15/32	3/16	1-27/32	1.1
2.45	2.2	1.9	D2250	---	X	X	X	X	X	X					1-3/8	1-11/16	7/16	0	1-11/16	1.4
2.55	2.3	2.0	2AK25	---	X	X	X	X	X						1-3/8	1-21/32	15/32	3/16	1-27/32	1.3
2.65	2.4	2.1	2AK26	---	X	X	X	X	X						1-3/8	1-21/32	15/32	3/16	1-27/32	1.4
2.75	2.5	2.2	2AK27	D2275	X	X	X	X	X	D2275**					1-3/8	1-21/32	15/32	3/16	1-27/32	1.5
2.85	2.6	2.3	2AK28	---	X	X	X	X	X						1-3/8	1-21/32	15/32	3/16	1-27/32	1.8
2.95	2.7	2.4	D2300	---	X	X	X	X	X	X					1-3/8	1-7/8	5/8	1/8	2	2.4
3.05	2.8	2.5	2AK30	---	X	X	X	X	X	X					1-3/8	1-21/32	15/32	3/16	1-27/32	1.8
3.25	3.0	2.7	2AK32	D2325	X	X	X	X	X	X					1-3/8	1-21/32	15/32	3/16	1-27/32	2.1
3.45	3.2	2.9	2AK34	D2350	X	X	X	X	X	X					1-3/8	1-21/32	15/32	3/16	1-27/32	2.3
3.75	3.5	3.2	2AK39	D2380	X	X	X	X	X	X					1-3/8	1-11/32	15/32	3/16	1-27/32	2.6
3.95	3.7	3.4	2AK41	D2400	X	X	X	X	X	X					1-3/8	1-11/32	15/32	1/2	1-27/32	2.9
4.25	4.0	3.7	2AK44	D2425		X	X	X	X	X					1-3/8	1-11/32	15/32	1/2	1-27/32	3.0
4.45	4.2	3.9	2AK46	D2450		X	X	X	X	X					1-3/8	1-11/32	15/32	1/2	1-27/32	3.1
4.75	4.5	4.2	2AK49	D2480		X	X	X	X	X					1-3/8	1-11/32	15/32	1/2	1-27/32	3.6
4.95	4.7	4.4	2AK51	D2500		X	X	X	X	X					1-3/8	1-11/32	15/32	1/2	1-27/32	3.8
5.25	5.0	4.7	2AK54	D2525		X	X	X	X	X					1-3/8	1-11/32	15/32	1/2	1-27/32	3.3
5.45	5.2	4.9	2AK56	D2550		X	X	X	X	X					1-3/8	1-11/32	15/32	1/2	1-27/32	3.4
5.75	5.5	5.2	2AK59	D2580			X	X	X	X	X				1-3/8	1-11/32	15/32	1/2	1-27/32	3.5
5.95	5.7	5.4	2AK61	D2600		X	X	X	X	X				X	1-3/8	1-11/32	15/32	1/2	1-27/32	3.6
6.25	6.0	5.7	2AK64	---			X	X	X	X					1-3/8	1-19/32	11/32	1/8	1-23/32	4.8
6.45	6.2	5.9	D2650	---			X	X	X	X					1-3/8	1-5/8	5/8	3/8	2	5.4
6.95	6.7	6.4	D2700	---			X	X	X	X					1-3/8	1-5/8	5/8	3/8	2	6.1
7.25	7.0	6.7	2AK74	D2725		X	X	X	X	X					1-3/8	1-19/32	11/32	1/8	1-23/32	5.6
7.95	7.7	7.4	D2800	---			X	X	X	X	X				1-3/8	1-5/8	5/8	3/8	2	6.7
8.25	8.0	7.7	2AK84	---			X	X	X	X	X				1-3/8	1-19/32	11/32	1/8	1-23/32	6.4
8.95	8.7	8.4	D2900	---			X	X	X	X	X				1-3/8	1-5/8	5/8	3/8	2	9.0
9.25	9.0	8.7	2AK94	D2925			X	X	X	X	X				1-3/8	1-19/32	11/32	1/8	1-23/32	7.3
9.95	9.7	9.4	D3100	---			X	X	X	X	X	X			1-3/8	1-5/8	5/8	3/8	2	9.9
10.25	10.0	9.7	2AK104	D3103			X	X	X	X	X	X			1-3/8	1-19/32	11/32	1/8	1-23/32	8.1
10.95	10.7	10.4	D3110	---			X	X	X	X	X	X			1-3/8	1-5/8	5/8	3/8	2	11.4
11.25	11.0	10.7	2AK114	---			X	X	X	X	X	X			1-3/8	1-19/32	11/32	1/8	1-23/32	9.0
11.95	11.7	11.4	D3120	---			X	X	X	X	X	X			1-3/8	1-5/8	5/8	3/8	2	11.6
12.25	12.0	11.7	2AK124	D3123			X	X	X	X	X	X			1-3/8	1-19/32	11/32	1/8	1-23/32	9.8
13.25	13.0	12.7	2AK134	---						X	X	X			1-3/8	1-19/32	11/32	1/8	1-23/32	12.3
14.25	14.0	13.7	2AK144	D3143					X	X	X	X			1-3/8	1-19/32	11/32	1/8	1-23/32	13.9
15.25	15.0	14.7	2AK154	D3153					X	X	X	X			1-3/8	1-19/32	11/32	1/8	1-23/32	14.3
18.25	18.0	17.7	2AK184	D3183					X	X	X	X	X		1-3/8	1-19/32	11/32	1/8	1-23/32	17.4

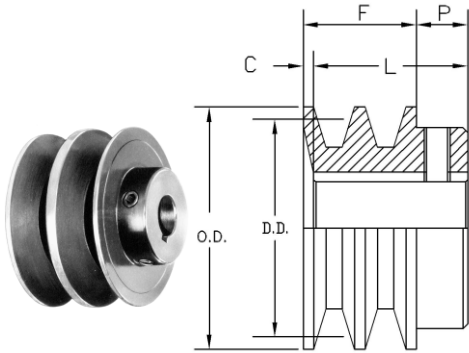
\*\* Bore Size Available in Only Maurey Original Design. Specify Original Maurey Part Number When Ordering.

^ For Standard Keyway Dimension Refer to Page A-2



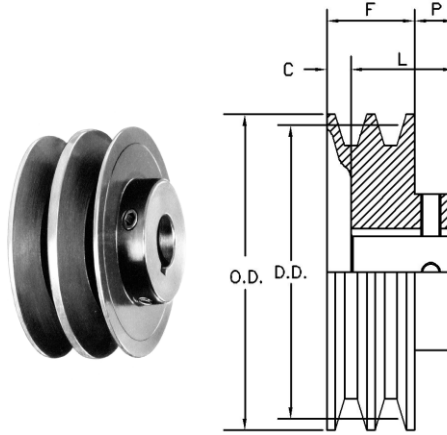
# Hi-Q® cast iron sheaves-two grooves for both "A" (4L) and "B" (5L) belts

STYLE 1



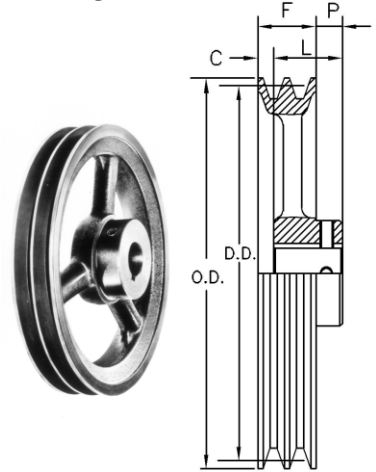
D4250 - 2BK36

STYLE 2



2BK40 - 2BK57

STYLE 3



2BK60 - 2BK190

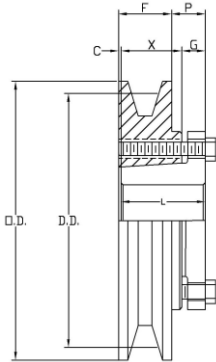
DIAMETERS IN INCHES			Part Number	Original Maurey Number	STOCK BORES MARKED "X" ^										DIMENSIONS IN INCHES				Overall Length Inches	Approx. Weight in LBS.
Outside	Datum "B" Belt	Datum "A" Belt			1/2	5/8	3/4	7/8	1	1-1/8	1-3/16	1-1/4	1-3/8	1-7/16	F	L	P	C		
2.45	2.1	2.0	D4250	----	X	X	X	X	X	X				1-9/16	2	7/16	0	2	1.2	
2.75	2.4	2.0	D4280	----	X	X	X	X	X	X				1-9/16	2	7/16	0	2	1.0	
2.95	2.6	2.2	2BK28	D4300	X	X	X	X	X	X		X		1-3/4	1-31/32	15/32	1/4	2-7/32	1.9	
3.15	2.8	2.4	2BK30	D4320	X	X	X	X	X	X		X	X	1-3/4	1-31/32	15/32	1/4	2-7/32	2.3	
3.35	3.0	2.6	2BK32	D4340	X	X	X	X	X	X	X	X	X	1-3/4	1-31/32	15/32	1/4	2-7/32	2.6	
3.55	3.2	2.8	2BK34	D4360	X	X	X	X	X	X	X	X	X	1-3/4	1-31/32	15/32	1/4	2-7/32	2.8	
3.75	3.4	3.0	2BK36	D4380	X	X	X	X	X	X	X	X	X	1-3/4	1-31/32	15/32	1/4	2-7/32	3.3	
3.95	3.6	3.2	2BK40	D4400		X	X	X	X	X	X	X	X	1-3/4	1-15/32	15/32	3/4	2-7/32	3.3	
4.15	3.8	3.4	D4420	----		X	X	X	X	X	X	X	X	1-3/4	1-9/16	5/8	13/16	2-3/8	4.1	
4.25	3.9	3.5	2BK45	----		X	X	X	X	X	X	X	X	1-3/4	1-15/32	15/32	3/4	2-7/32	3.3	
4.35	4.0	3.6	D4440	----		X	X	X	X	X	X	X	X	1-3/4	1-9/16	5/8	13/16	2-3/8	4.1	
4.45	4.1	3.7	2BK47	----		X	X	X	X	X	X	X	X	1-3/4	1-15/32	15/32	3/4	2-7/32	3.7	
4.55	4.2	3.8	D4460	----		X	X	X	X	X	X	X	X	1-3/4	1-9/16	5/8	13/16	2-3/8	4.5	
4.75	4.4	4.0	2BK50	D4480		X	X	X	X	X	X	X	X	1-3/4	1-15/32	15/32	3/4	2-7/32	4.1	
4.95	4.6	4.2	2BK52	D4500		X	X	X	X	X	X	X	X	1-3/4	1-15/32	15/32	3/4	2-7/32	4.5	
5.15	4.8	4.4	D4520	----		X	X	X	X	X	X	X	X	1-3/4	1-9/16	5/8	13/16	2-3/8	5.3	
5.25	4.9	4.5	2BK55	----				X	X	X	X	X	X	1-3/4	1-15/32	15/32	3/4	2-7/32	4.5	
5.35	5.0	4.6	D4540	----		X	X	X	X	X	X	X	X	1-3/4	1-9/16	5/8	13/16	2-3/8	6.3	
5.45	5.1	4.7	2BK57	----			X	X	X	X	X	X	X	1-3/4	1-15/32	15/32	3/4	2-7/32	5.1	
5.55	5.2	4.8	D4560	----			X	X	X	X	X	X	X	1-3/4	1-5/8	5/8	3/4	2-3/8	5.2	
5.75	5.4	5.0	2BK60	D4580			X	X	X	X	X	X	X	1-3/4	1-15/32	15/32	3/4	2-7/32	4.9	
5.95	5.6	5.2	2BK62	D4600			X	X	X	X	X	X	X	1-3/4	1-15/32	15/32	3/4	2-7/32	4.8	
6.15	5.8	5.4	D4620	----			X	X	X	X	X	X	X	1-3/4	1-5/8	5/8	3/4	2-3/8	6.1	
6.25	5.9	5.5	2BK65	----				X	X	X	X	X	X	1-3/4	1-15/32	15/32	3/4	2-7/32	5.0	
6.35	6.0	5.6	D4640	----			X	X	X	X	X	X	X	1-3/4	1-5/8	5/8	3/4	2-3/8	6.9	
6.45	6.1	5.7	2BK67	----				X	X	X	X	X	X	1-3/4	1-15/32	15/32	3/4	2-7/32	5.0	
6.55	6.2	5.8	D4660	----			X	X	X	X	X	X	X	1-3/4	1-5/8	5/8	3/4	2-3/8	6.9	
6.75	6.4	6.0	2BK70	D4680			X	X	X	X	X	X	X	1-3/4	1-19/32	11/32	1/2	2-7/32	6.6	
6.95	6.6	6.2	D4700	----			X	X	X	X	X	X	X	1-3/4	1-5/8	5/8	3/4	2-3/8	7.5	
7.15	6.8	6.4	D4720	----				X	X	X	X	X	X	1-3/4	1-5/8	5/8	3/4	2-3/8	7.9	
7.75	7.4	7.0	2BK80	D4780			X	X	X	X	X	X	X	1-3/4	1-19/32	11/32	1/2	2-3/32	7.2	
8.75	8.4	8.0	2BK90	D4880				X	X	X	X	X	X	1-3/4	1-19/32	11/32	1/2	2-3/32	0.4	
8.95	8.6	8.2	D4900	----			X	X	X	X	X	X	X	1-3/4	1-5/8	5/8	3/4	2-3/8	10.5	
9.75	9.4	9.0	2BK100	D4980				X	X	X	X	X	X	1-3/4	1-19/32	11/32	1/2	2-3/32	9.4	
10.75	10.4	10.0	2BK110	D5108				X	X	X	X	X	X	1-3/4	1-19/32	11/32	1/2	2-3/32	10.4	
11.35	11.0	10.6	D5114	----				X	X	X	X	X	X	1-3/4	1-5/8	5/8	3/4	2-3/8	13.5	
11.75	11.4	11.0	2BK120	D5118				X	X	X	X	X	X	1-3/4	1-19/32	11/32	1/2	2-3/32	11.8	
12.75	12.4	12.0	2BK130	D5128				X	X	X	X	X	X	1-3/4	1-19/32	11/32	1/2	2-3/32	14.9	
13.75	13.4	13.0	2BK140	----				X	X	X	X	X	X	1-3/4	1-19/32	11/32	1/2	2-3/32	16.3	
13.95	13.6	13.2	D5140	----				X	X	X	X	X	X	1-3/4	1-3/4	5/8	5/8	2-3/8	18.4	
15.75	15.4	15.0	2BK160	D5158				X	X	X	X	X	X	1-3/4	1-19/32	11/32	1/2	2-3/32	18.0	
18.75	18.7	18.0	2BK190	D5188				X	X	X	X	X	X	1-3/4	1-19/32	11/32	1/2	2-3/32	23.3	

^ For Standard Keyway Dimension Refer to Page A-2

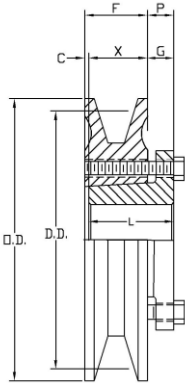




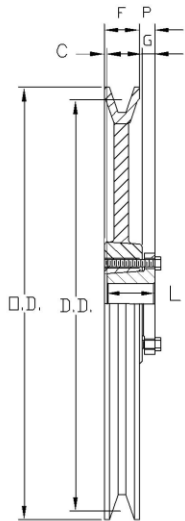
# HQ Ful-Grip Sheaves-Single Groove



STYLE 1



STYLE 2



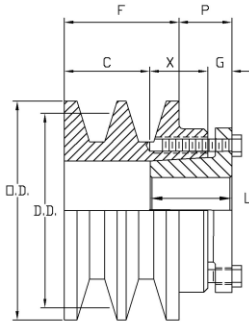
STYLE 4

## For Both Belt Sections "A" (4L) and "O" (3L)

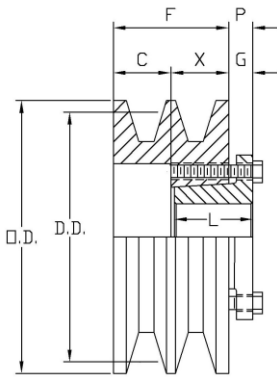
O.D. Inches	D.D. A Belts Inches	D.D. O Belts Inches	Part Number	Original Maurey Number	Style	Weight (Lbs)	Dimensions - Inches					
							F	L	P	C	X	G
3.05	2.8	2.5	AK30H	---	1	1.1	3/4	1 1/4	7/8	---	1-3/16	7/16
3.25	3.0	2.7	AK32H	---	1	1.2	3/4	1 1/4	7/8	---	1-3/16	7/16
3.45	3.2	2.9	AK34H	---	2	1.0	3/4	1 1/4	9/16	---	7/8	7/16
3.75	3.5	3.2	AK39H	---	2	1.4	3/4	1 1/4	9/16	---	7/8	7/16
3.95	3.7	3.4	AK41H	AH40	2	1.6	3/4	1 1/4	9/16	---	7/8	7/16
4.25	4.0	3.7	AK44H	AH43	2	1.9	3/4	1 1/4	9/16	---	7/8	7/16
4.45	4.2	3.9	AK46H	AH45	2	1.9	3/4	1 1/4	9/16	---	7/8	7/16
4.75	4.5	4.2	AK49H	AH48	2	2.1	3/4	1 1/4	9/16	---	7/8	7/16
4.95	4.7	4.4	AK51H	AH50	2	2.3	3/4	1 1/4	9/16	---	7/8	7/16
5.25	5.0	4.7	AK54H	AH53	2	2.0	3/4	1 1/4	9/16	---	7/8	7/16
5.45	5.2	4.9	AK56H	AH55	2	2.3	3/4	1 1/4	9/16	---	7/8	7/16
5.75	5.5	5.2	AK59H	---	2	2.4	3/4	1 1/4	9/16	---	7/8	7/16
5.95	5.7	5.4	AK61H	AH60	4	2.5	3/4	1 1/4	9/16	0	7/8	7/16
6.25	6.0	5.7	AK64H	AH63	4	2.7	3/4	1 1/4	9/16	0	7/8	7/16
6.45	6.2	5.9	AK66H	AH65	4	2.8	3/4	1 1/4	9/16	0	7/8	7/16
6.75	6.5	6.2	AK69H	AH68	4	2.9	3/4	1 1/4	9/16	0	7/8	7/16
6.95	6.7	6.6	AK71H	AH70	4	3.1	3/4	1 1/4	9/16	0	7/8	7/16
7.25	7.0	6.7	AK74H	AH73	4	3.3	3/4	1 1/4	9/16	0	7/8	7/16
7.75	7.5	7.2	AK79H	AH78	4	3.5	3/4	1 1/4	9/16	0	7/8	7/16
7.95	7.7	7.4	AH80	---	4	2.9	3/4	1 1/4	9/16	0	7/8	7/16
8.25	8.0	7.7	AK84H	AH83	4	3.6	3/4	1 1/4	9/16	0	7/8	7/16
8.75	8.5	8.2	AK89H	AH88	4	4.0	3/4	1 1/4	9/16	0	7/8	7/16
8.95	8.7	8.4	AH90	---	4	2.8	3/4	1 1/4	9/16	0	7/8	7/16
9.25	9.0	8.7	AK94H	AH93	4	4.4	3/4	1 1/4	9/16	0	7/8	7/16
9.75	9.5	9.2	AK99H	---	4	4.7	3/4	1 1/4	9/16	0	7/8	7/16
9.95	9.7	9.4	AH100	---	4	4.0	3/4	1 1/4	9/16	0	7/8	7/16
10.25	10.0	9.7	AK104H	AH103	4	4.5	3/4	1 1/4	9/16	0	7/8	7/16
10.75	10.5	10.2	AK109H	---	4	5.1	3/4	1 1/4	9/16	0	7/8	7/16
10.95	10.7	10.4	AH110	---	4	3.9	3/4	1 1/4	9/16	0	7/8	7/16
11.25	11.0	10.7	AK114H	AH113	4	5.5	3/4	1 1/4	9/16	0	7/8	7/16
11.95	11.7	11.4	AH120	---	4	5.9	3/4	1 1/4	9/16	0	7/8	7/16
12.25	12.0	11.7	AK124H	AH123	4	6.1	3/4	1 1/4	9/16	0	7/8	7/16
12.95	12.7	12.4	AH130	---	4	7.2	7/8	1 1/4	7/16	0	7/8	7/16
13.25	13.0	12.7	AK134H	AH133	4	7.4	3/4	1 1/4	9/16	0	7/8	7/16
13.95	13.7	13.4	AH140	---	4	7.6	7/8	1 1/4	7/16	0	7/8	7/16
14.25	14.0	13.7	AK144H	AH143	4	7.8	3/4	1 1/4	9/16	0	7/8	7/16
14.95	14.7	14.4	AH150	---	4	9.5	7/8	1 1/4	7/16	0	7/8	7/16
15.25	15.0	14.7	AK154H	AH153	4	8.8	3/4	1 1/4	9/16	0	7/8	7/16
18.25	18.0	17.7	AK184H	AH183	4	11.3	3/4	1 1/4	9/16	0	7/8	7/16

## For Both Belt Sections "B" (5L) and "A" (4L)

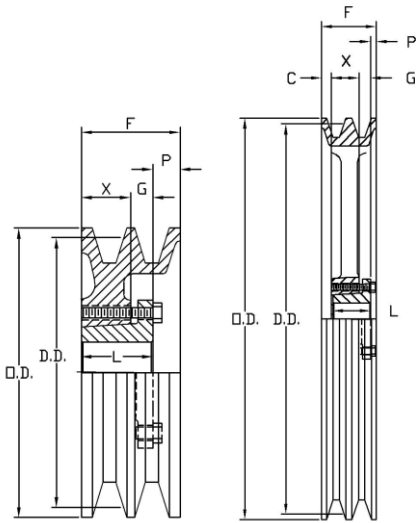
O.D. Inches	D.D. B Belts Inches	D.D. A Belts Inches	Part Number	Original Maurey Number	Style	Weight (Lbs)	Dimensions - Inches					
							F	L	P	C	X	G
3.15	2.8	2.4	BK30H	BH32	1	1.2	7/8	1-1/4	7/8	---	1 5/16	7/16
3.35	3.0	2.6	BK32H	BH34	1	1.4	7/8	1-1/4	7/8	---	1 5/16	7/16
3.55	3.2	2.8	BK34H	BH36	1	1.6	7/8	1-1/4	7/8	---	1 5/16	7/16
3.75	3.4	3.0	BK36H	BH38	2	1.2	7/8	1-1/4	7/16	---	7/8	7/16
3.95	3.6	3.2	BK40H	BH40	2	1.4	7/8	1-1/4	7/16	---	7/8	7/16
4.15	3.8	3.4	BH42	---	2	2.0	7/8	1-1/4	7/16	---	7/8	7/16
4.25	3.9	3.5	BK45H	---	2	1.8	7/8	1-1/4	7/16	---	7/8	7/16
4.35	4.0	3.6	BH44	---	2	2.5	7/8	1-1/4	7/16	---	7/8	7/16
4.45	4.1	3.7	BK47H	---	2	2.2	7/8	1-1/4	7/16	---	7/8	7/16
4.55	4.2	3.8	BH46	---	2	2.7	7/8	1-1/4	7/16	---	7/8	7/16
4.75	4.4	4.0	BK50H	BH48	2	2	7/8	1-1/4	7/16	---	7/8	7/16
4.95	4.6	4.2	BK52H	BH50	2	2.1	7/8	1-1/4	7/16	---	7/8	7/16
5.15	4.8	4.4	BH52	---	2	3.7	7/8	1-1/4	7/16	---	7/8	7/16
5.25	4.9	4.5	BK55H	BH53	2	2.7	7/8	1-1/4	7/16	---	7/8	7/16
5.35	5.0	4.6	BH54	---	4	1.9	7/8	1-1/4	7/16	---	7/8	7/16
5.45	5.1	4.7	BK57H	---	2	2.7	7/8	1-1/4	7/16	---	7/8	7/16
5.55	5.2	4.8	BH56	---	4	2.4	7/8	1-1/4	7/16	---	7/8	7/16
5.75	5.4	5.0	BK60H	BH58	2	2.5	7/8	1-1/4	7/16	---	7/8	7/16
5.95	5.6	5.2	BK62H	BH60	2	2.6	7/8	1-1/4	7/16	---	7/8	7/16
6.15	5.8	5.4	BH62	---	4	2.8	7/8	1-1/4	7/16	---	7/8	7/16
6.25	5.9	5.5	BK65H	---	2	2.8	7/8	1-1/4	7/16	---	7/8	7/16
6.35	6.0	5.6	BH64	---	4	2.8	7/8	1-1/4	7/16	---	7/8	7/16
6.45	6.1	5.7	BK67H	---	4	2.9	7/8	1-1/4	7/16	---	7/8	7/16
6.55	6.2	5.8	BH66	---	4	3.2	7/8	1-1/4	7/16	---	7/8	7/16
6.75	6.4	6.0	BK70H	BH68	4	2.8	7/8	1-1/4	1/2	1/16	7/8	7/16
6.95	6.6	6.2	BK72H	BH70	4	3.1	7/8	1-1/4	1/2	1/16	7/8	7/16
7.15	6.8	6.4	BH72	---	4	3.9	7/8	1-1/4	7/16	---	7/8	7/16
7.25	6.9	6.5	BK75H	---	4	3.3	7/8	1-1/4	1/2	1/16	7/8	7/16
7.45	7.1	6.7	BK77H	---	4	3.8	7/8	1-1/4	1/2	1/16	7/8	7/16
7.75	7.4	7.0	BK80H	BH78	4	3.4	7/8	1-1/4	1/2	1/16	7/8	7/16
8.25	7.9	7.5	BK85H	BH83	4	3.8	7/8	1-1/4	1/2	1/16	7/8	7/16
8.75	8.4	8.0	BK90H	BH88	4	4.3	7/8	1-1/4	1/2	1/16	7/8	7/16
8.95	8.6	8.2	BH90	---	4	3.9	7/8	1-1/4	7/16	---	7/8	7/16
9.25	8.9	8.5	BK95H	---	4	5.0	7/8	1-1/4	1/2	1/16	7/8	7/16
9.75	9.4	9.0	BK100H	BH98	4	5.2	7/8	1-1/4	1/2	1/16	7/8	7/16
10.25	9.9	9.5	BK105H	---	4	5.5	7/8	1-1/4	1/2	1/16	7/8	7/16
10.75	10.4	10.0	BK110H	BH108	4	6	7/8	1-1/4	1/2	1/16	7/8	7/16
11.25	10.9	10.5	BK115H	---	4	6.4	7/8	1-1/4	1/2	1/16	7/8	7/16
11.35	11.0	10.6	BH114	---	4	5.1	7/8	1-1/4	7/16	---	7/8	7/16
11.75	11.4	11.0	BK120H	BH118	4	6.9	7/8	1-1/4	1/2	1/16	7/8	7/16
12.75	12.4	12.0	BK130H	BH128	4	6.9	7/8	1-1/4	1/2	1/16	7/8	7/16
13.75	13.4	13.0	BK140H	---	4	8.5	7/8	1-1/4	1/2	1/16	7/8	7/16
13.95	13.6	13.2	BH140	---	4	6.1	7/8	1-1/4	7/16	---	7/8	7/16
14.75	14.4	14.0	BK150H	---	4	9.5	7/8	1-1/4	1/2	1/16	7/8	7/16
15.75	15.4	15.0	BK160H	BH158	4	9.8	7/8	1-1/4	1/2	1/16	7/8	7/16
18.75	18.4	18.0	BK190H	BH188	4	12.8	7/8	1-1/4	1/2	1/16	7/8	7/16



**STYLE 1**



**STYLE 2**



**STYLE 3  
(SOLID)**

**STYLE 4  
(SPOKED)**

## For Both Belt Sections "A" (4L) and "O" (3L)

O.D. Inches	D.D. A Belts Inches	D.D. O Belts Inches	Part Number	Original Maurey Number	Style	Weight (Lbs)	Dimensions - Inches					
							F	L	P	C	X	G
3.05	2.8	2.5	2AK30H	DH2300	1	1.4	1 3/8	1 1/4	7/8	15/16	7/8	7/16
3.25	3.0	2.7	2AK32H	DH2325	1	1.7	1 3/8	1 1/4	7/8	15/16	7/8	7/16
3.45	3.2	2.9	2AK34H	DH2350	2	1.8	1 3/8	1 1/4	7/16	1/2	7/8	7/16
3.75	3.5	3.2	2AK39H	DH2380	2	1.8	1 3/8	1 1/4	7/16	1/2	7/8	7/16
3.95	3.7	3.4	2AK41H	DH2400	3	1.9	1 3/8	1 1/4	1/16	---	7/8	7/16
4.25	4.0	3.7	2AK44H	DH2425	3	2.4	1 3/8	1 1/4	1/16	---	7/8	7/16
4.45	4.2	3.9	2AK46H	DH2450	3	2.5	1 3/8	1 1/4	1/16	---	7/8	7/16
4.75	4.5	4.2	2AK49H	DH2480	3	3.1	1 3/8	1 1/4	1/16	---	7/8	7/16
4.95	4.7	4.4	2AK51H	DH2500	3	3.2	1 3/8	1 1/4	1/16	---	7/8	7/16
5.25	5.0	4.7	2AK54H	DH2525	3	3.4	1 3/8	1 1/4	1/16	---	7/8	7/16
5.45	5.2	4.9	2AK56H	DH2550	3	3.6	1 3/8	1 1/4	1/16	---	7/8	7/16
5.75	5.5	5.2	2AK59H	DH2580	4	3.4	1 3/8	1 1/4	1/16	0	7/8	7/16
5.95	5.7	5.4	2AK61H	DH2600	4	3.3	1 3/8	1 1/4	1/16	0	7/8	7/16
6.25	6.0	5.7	2AK64H	---	4	3.9	1 3/8	1 1/4	1/16	0	7/8	7/16
6.45	6.2	5.9	DH2650	---	4	4.9	1 3/8	1 1/4	1/16	0	7/8	7/16
6.95	6.7	6.4	DH2700	---	4	5.4	1 3/8	1 1/4	1/16	0	7/8	7/16
7.25	7.0	6.7	2AK74H	DH2730	4	4.9	1 3/8	1 1/4	1/16	0	7/8	7/16
7.95	7.7	7.4	DH2800	---	4	5.9	1 3/8	1 1/4	1/16	0	7/8	7/16
8.25	8.0	7.7	2AK84H	---	4	5.8	1 3/8	1 1/4	1/16	0	7/8	7/16
8.95	8.7	8.4	DH2900	---	4	7.2	1 3/8	1 1/4	1/16	0	7/8	7/16
9.25	9.0	8.7	2AK94H	DH2930	4	6.1	1 3/8	1 1/4	1/16	0	7/8	7/16
9.95	9.7	9.4	DH3100	---	4	8.6	1 3/8	1 1/4	1/16	0	7/8	7/16
10.25	10.0	9.7	2AK104H	DH3103	4	7.7	1 3/8	1 1/4	1/16	0	7/8	7/16
10.95	10.7	10.4	DH3110	---	4	10.2	1 3/8	1 1/4	1/16	0	7/8	7/16
11.25	11.0	10.7	2AK114H	---	4	8.5	1 3/8	1 1/4	1/16	0	7/8	7/16
11.95	11.7	11.4	DH3120	---	4	10.7	1 3/8	1 1/4	1/16	0	7/8	7/16
12.25	12.0	11.7	2AK124H	DH3123	4	9.5	1 3/8	1 1/4	1/16	0	7/8	7/16
13.25	13.0	12.7	2AK134H	---	4	11.4	1 3/8	1 1/4	1/16	0	7/8	7/16
14.25	14.0	13.7	2AK144H	DH3143	4	11.9	1 3/8	1 1/4	1/16	0	7/8	7/16
15.25	15.0	14.7	2AK154H	DH3153	4	13.3	1 3/8	1 1/4	1/16	0	7/8	7/16
18.25	18.0	17.7	2AK184H	DH3183	4	16.8	1 3/8	1 1/4	1/16	0	7/8	7/16

## For Both Belt Sections "B" (5L) and "A" (4L)

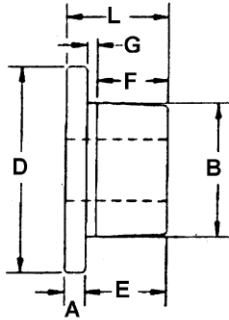
O.D. Inches	D.D. A Belts Inches	D.D. O Belts Inches	Part Number	Original Maurey Number	Style	Weight (Lbs)	Dimensions - Inches					
							F	L	P	C	X	G
3.35	3.0	2.6	2BK32H	DH4340	1	2.1	1 3/4	1 1/4	7/8	1 5/16	7/8	7/16
3.55	3.2	2.8	2BK34H	DH4360	1	2.4	1 3/4	1 1/4	7/8	1 5/16	7/8	7/16
3.75	3.4	3.0	2BK36H	DH4380	1	2.0	1 3/4	1 1/4	7/16	7/8	7/8	7/16
3.95	3.6	3.2	2BK40H	DH4400	1	2.4	1 3/4	1 1/4	7/16	7/8	7/8	7/16
4.15	3.8	3.4	DH4420	---	2	3.5	1 3/4	1 1/4	7/16	15/16	7/8	7/16
4.25	3.9	3.5	2BK45H	---	1	3.0	1 3/4	1 1/4	7/16	7/8	7/8	7/16
4.35	4.0	3.6	DH4440	---	3	3.1	1 3/4	1 1/4	7/16	---	7/8	7/16
4.45	4.1	3.7	2BK47H	---	3	2.8	1 3/4	1 1/4	7/16	---	7/8	7/16
4.55	4.2	3.8	DH4460	---	3	3.8	1 3/4	1 1/4	7/16	---	7/8	7/16
4.75	4.4	4.0	2BK50H	DH4480	3	3.3	1 3/4	1 1/4	7/16	---	7/8	7/16
4.95	4.6	4.2	2BK52H	DH4500	3	3.6	1 3/4	1 1/4	7/16	---	7/8	7/16
5.15	4.8	4.4	DH4520	---	3	4.8	1 3/4	1 1/4	7/16	---	7/8	7/16
5.25	4.9	4.5	2BK55H	---	3	3.9	1 3/4	1 1/4	7/16	---	7/8	7/16
5.35	5.0	4.6	DH4540	---	3	4.9	1 3/4	1 1/4	7/16	---	7/8	7/16
5.45	5.1	4.7	2BK57H	---	3	4.3	1 3/4	1 1/4	7/16	---	7/8	7/16
5.55	5.2	4.8	DH4560	---	4	4.0	1 3/4	1 1/4	7/16	---	7/8	7/16
5.75	5.4	5.0	2BK60H	DH4580	3	4.4	1 3/4	1 1/4	7/16	---	7/8	7/16
5.95	5.6	5.2	2BK62H	DH4600	3	4.5	1 3/4	1 1/4	7/16	---	7/8	7/16
6.15	5.8	5.4	DH4620	---	4	5.1	1 3/4	1 1/4	7/16	---	7/8	7/16
6.25	5.9	5.5	2BK65H	---	4	4.5	1 3/4	1 1/4	7/16	1/4	7/8	7/16
6.35	6.0	5.6	DH4640	---	4	5.9	1 3/4	1 1/4	7/16	---	7/8	7/16
6.45	6.1	5.7	2BK67H	---	4	5.0	1 3/4	1 1/4	7/16	1/4	7/8	7/16
6.55	6.2	5.8	DH4660	---	4	5.2	1 3/4	1 1/4	7/16	---	7/8	7/16
6.75	6.4	6.0	2BK70H	DH4680	4	5.1	1 3/4	1 1/4	7/16	1/4	7/8	7/16
6.95	6.6	6.2	DH4700	---	4	5.6	1 3/4	1 1/4	7/16	---	7/8	7/16
7.15	6.8	6.4	DH4720	---	4	6.9	1 3/4	1 1/4	7/16	---	7/8	7/16
7.75	7.4	7.0	2BK80H	DH4780	4	6.4	1 3/4	1 1/4	7/16	1/4	7/8	7/16
8.75	8.4	8.0	2BK90H	DH4880	4	7.6	1 3/4	1 1/4	7/16	1/4	7/8	7/16
8.95	8.6	8.2	DH4900	---	4	7.4	1 3/4	1 1/4	7/16	---	7/8	7/16
9.75	9.4	9.0	2BK100H	DH4980	4	8.4	1 3/4	1 1/4	7/16	1/4	7/8	7/16
10.75	10.4	10.0	2BK110H	DH5108	4	9.3	1 3/4	1 1/4	7/16	1/4	7/8	7/16
11.35	11.0	10.6	DH5114	---	4	12.0	1 3/4	1 1/4	7/16	---	7/8	7/16
11.75	11.4	11.0	2BK120H	DH5118	4	11.0	1 3/4	1 1/4	7/16	1/4	7/8	7/16
12.75	12.4	12.0	2BK130H	DH5128	4	13.1	1 3/4	1 1/4	7/16	1/4	7/8	7/16
13.75	13.4	13.0	2BK140H	---	4	14.8	1 3/4	1 1/4	7/16	1/4	7/8	7/16
13.95	13.6	13.2	DH5140	---	4	14.1	1 3/4	1 1/4	7/16	1/4	7/8	7/16
15.75	15.4	15.0	2BK160H	DH5158	4	17.5	1 3/4	1 1/4	7/16	1/4	7/8	7/16
18.75	18.4	18.0	2BK190H	DH5188	4	21.5	1 3/4	1 1/4	7/16	1/4	7/8	7/16



# HQ Ful-grip Bushings

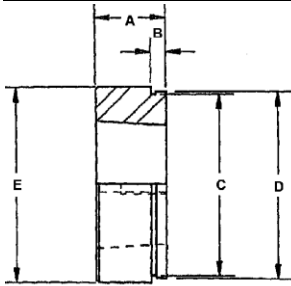
HQ BUSHING DIMENSIONS (inches)								
A	B	D	E	F	G	L	Bolt Circle	Cap Screws
1/4	1-5/8	2-1/2	1	7/8	1/8	1-1/4	2	2-1/4 x 3/4

STOCK BORES	
BORE (inches)	KEYSEAT
3/8, 7/16, 1/2, 9/16	NONE
5/8, 11/16, 3/4, 3/16, 7/8	3/16 X 3/32
15/16, 1, 1-1/16, 1-1/8, 1-3/16	1/4 X 1/8
1-1/4	1/4 x 1/16
1-5/16, 1-3/8	5/16 X 1/16
1-7/16, 1-1/2	3/8 X 1/16
BORE (mm)	KEYSTOCK
14, 15, 16, 17	5 x 5
18, 19, 20, 22	6 x 6
24, 25, 28, 30	8 x 7
32, 35, 38	10 x 8



When Ordering Specify Bore Size

For Example: HQ x 3/4"



# weld-on hub for HQ bushing

Part Number HHQ1 or HHQ2

HUB DIMENSIONS (inches)					
Part Number	A	B	C	D	E
HHQ1	7/8	3/16	2.311	2-3/8	2-1/2
HHQ2	7/8	0.532	2.311	2-3/8	2-1/2



# steel shaft collars

steel shaft collars

Made from cold rolled steel precision machined for true Running faces. Locked in position for vibration proof Service with cup point, hollow head set screws.



## ORDER IN STANDARD PACKAGE QUANTITIES

Part Number	Bore Inches	Outside Diameter Inches	Width Inches	Size of Set Screw	Weight Ounces Each	Std. Pkg. Qty	Part Number	Bore Inches	Outside Diameter Inches	Width Inches	Size of Set Screw	Weight Ounces Each	Std.* Pkg. Qty
1544	3/16	7/16	1/4	8-32 X 1/8"	1/5	50	1517	1-1/2	2-1/4	3/4	3/8 X 3/8"	7-1/2	25
1542	1/4	5/8	9/32	10-32 X 1/8"	1/4	50	1521	1-9/16	2-1/2	13/16	3/8 X 3/8"	10-3/4	10
1543	5/16	5/8	11/32	10-32 X 1/8"	1/2	50	1522	1-5/8	2-1/2	13/16	3/8 X 3/8"	10	10
1500	3/8	3/4	3/8	1/4 X 3/16"	1/2	50	1518	1-11/16	2-1/2	13/16	3/8 X 3/8"	9-1/4	10
1501	7/16	7/8	7/16	1/4 X 1/4"	1	50	1523	1-3/4	2-3/4	7/8	1/2 X 1/2"	13-1/2	10
1502	1/2	1	7/16	1/4 X 1/4"	1-1/4	50	1524	1-13/16	2-3/4	7/8	1/2 X 1/2"	13	10
1503	9/16	1	7/16	1/4 X 1/4"	1-1/4	25	1525	1-7/8	2-3/4	7/8	1/2 X 1/2"	12-1/4	10
1504	5/8	1-1/8	1/2	5/16 X 1/4"	1-1/2	25	1519	1-15/16	3	7/8	1/2 X 1/2"	16-1/4	10
1505	11/16	1-1/4	9/16	5/16 X 1/4"	2	25	1526	2	3	7/8	1/2 X 1/2"	16	10
1506	3/4	1-1/4	9/16	5/16 X 1/4"	2	25	1530	2-1/8	3	7/8	1/2 X 1/2"	16	5
1507	13/16	1-5/16	9/16	5/16 X 1/4"	2	25	1531	2-3/16	3-1/4	15/16	1/2 X 1/2"	18-1/2	5
1508	7/8	1-1/2	9/16	5/16 X 5/16"	2-1/2	25	1532	2-1/4	3-1/4	15/16	1/2 X 1/2"	17-1/2	5
1509	15/16	1-5/8	9/16	5/16 X 5/16"	3-1/4	25	1533	2-5/16	3-1/4	15/16	1/2 X 1/2"	17-1/4	5
1510	1	1-5/8	5/8	5/16 X 5/16"	4	25	1534	2-3/8	3-1/4	15/16	1/2 X 1/2"	22	5
1511	1-1/16	1-3/4	5/8	5/16 X 5/16"	4-1/4	25	1535	2-7/16	3-1/2	1	1/2 X 1/2"	21-3/4	5
1512	1-1/8	1-3/4	5/8	5/16 X 5/16"	3-3/4	25	1536	2-1/2	3-1/2	1	1/2 X 1/2"	20-3/4	5
1513	1-3/16	2	11/16	3/8 X 3/8"	6	25	1537	2-9/16	3-3/4	1-1/8	1/2 X 5/8"	30	5
1514	1-1/4	2	11/16	3/8 X 3/8"	6	25	1538	2-11/16	4	1-1/8	1/2 X 5/8"	35	5
1520	1-5/16	2-1/8	11/16	3/8 X 3/8"	6-1/2	25	1539	2-3/4	4	1-1/8	1/2 X 5/8"	34	5
1515	1-3/8	2-1/8	3/4	3/8 X 3/8"	6-1/2	25	1540	2-15/16	4-1/4	1-1/8	1/2 X 5/8"	38	5
1516	1-7/16	2-1/4	3/4	3/8 X 3/8"	7-3/4	25	1541	3	4-1/4	1-1/8	1/2 X 5/8"	36	5

\* Maurey Steel Shaft Collars Only Sold in Multiples of Standard Package Quantities (No Broken Lots)



Single Groove Sheave



Double Groove Sheave

## INSTALLATION AND REMOVAL OF HQ BUSHINGS

### INSTALLATION:

1. Make sure the bore of the sheave and the tapered cone surface of the bushing are free of all foreign substances such as paint, dirt, lubricants, etc. Do not use lubricants on installation.
2. Assemble as illustrated, by inserting two cap screws through clearance holes in bushing. Cap Screws are to be loosely inserted in sheave so that bushing easily slides on to shaft.
3. Place keystone in keyseat between shaft and bore of bushing.
4. Tighten screws progressively. (See tightening instructions.)

### TIGHTENING INSTRUCTIONS:

When mounting HQ Bushings which are slotted all the way through to maintain even torque (Ful-Grip Design), tightening forces on the screws are multiplied many times by the wedging action of the tapered surface. If extreme screw tightening forces are applied in mounting the HQ Bushing, bursting pressure will be created in the hub of the mounted sheave which may cause it to crack, and void the warranty.

CAUTION: Do not use lubricants on screw threads or tapered surfaces  
Refer to the recommended torque ratings.  
Tighten bushing screws evenly and progressively

### REMOVAL INSTRUCTIONS:

1. Loosen and remove cap screws.
2. Insert cap screws in threaded holes of bushing.
3. Tighten evenly until sheave is loose on shaft.

### WRENCH TORQUE VALUE FOR TIGHTENING HQ FUL-GRIP BUSHING

Bushing	Wrench Torque In Pounds	Wrench Length In Inches	Wrench Pull In Pounds
HQ	90	4	22
HQ	90	10	9



**Made-To-Order  
Split Steel Sheaves  
For OEM Quantities**



When it comes to durability and a great price, Maurey Manufacturing's comprehensive line of split steel sheaves offers end users the best of both worlds. A strong precision weld provides a superior bond between the sheave and its machined hub. All hubs are also precision bored and keyed from solid steel, thus offering excellent field performance for many years. These sheaves meet the high market demand for a product that is very economical; stronger than our welded two-piece stamped steel sheaves, yet does not require the rugged cast iron construction of our standard sheave line. Contact us now at 1-800-284-2161 to discover how these sheaves can save your company money.

#### **APPLICATIONS**

- Outdoor Power Equipment
- Air Compressors
- Air Handling Units
- Other Light Duty Applications

#### **KEY FEATURES**

- Made in the USA
- Precision Welded
- Solid Steel Hubs
- Economical Product

***MAUREY MANUFACTURING IS YOUR SOURCE FOR BOTH  
CAST IRON AND SPLIT STEEL SHEAVES!!!***



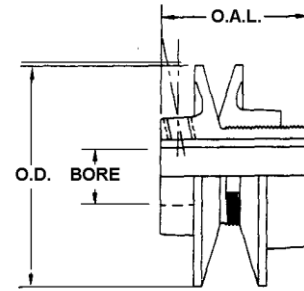


## Variable pitch diameter sheaves...machined for

- Longer Belt Wear
- Closer Operating Tolerance:
- Quiet Performance (Decreased Decible Count)
- Finer Appearance
- Smooth, Quiet, Vibration Free Operation



Permits variation of as much as 30% in speed when used with sheave of a fixed diameter

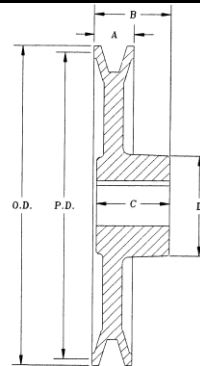


OUTSIDE DIAMETER INCHES	PART NUMBER	STOCK BORES AVAILABLE INCHES				PITCH DIAMETER INCHES						OVERALL WIDTH INCHES	APPROX WEIGHT LBS
						3L BELTS		A or 4L BELTS		B or 5L BELTS			
						MIN	MAX	MIN	MAX	MIN	MAX		
2.32	1VL25	1/2	5/8			1.4	2.4					1-19/32	0.7
2.87	1VL30	1/2	5/8			1.8	2.7					1-21/32	1.1
3.15	1VL34	1/2	5/8	3/4		1.7	2.5	1.9	2.9	2.4	3.2	1-11/16	1.1
3.75	1VL40	1/2	5/8	3/4		2.3	3.1	2.4	3.4	2.7	3.7	1-11/16	1.3
4.15	1VL44	1/2	5/8	3/4	7/8	2.7	3.5	2.8	3.8	3.1	4.1	1-11/16	1.3
4.75	1VM50	1/2	5/8	3/4	7/8	3.3	4.1	3.4	4.4	3.7	4.7	1-7/8	2.8

For Standard Keyway Dimension Refer to Chart in Section A



## Hi-Q® sheaves for air movement systems



With a spoke design that minimizes air resistance these Maurey sheaves assure utmost efficiency on air conditioning and similar installations. A special annealing process makes the spokes and the entire pulley extra strong. Balanced and true running, they assure quiet, efficient and low cost power transmission. Pulleys have rust-resistant finish. For "A" section belts

DIAMETER		PART NUMBER	STOCK BORES (NO KEYWAY)				DIMENSIONS, INCHES			WEIGHT Lbs
O.D. Inches	P.D. Inches		5/8"	3/4"	7/8"	1"	A	B	C	
4.93	4.78	AL54	X	X	***	X	19/32	1-1/16	1-1/16	1.1
5.93	5.78	AL64	X	X	***	X	19/32	1-1/16	1-1/16	1.2
6.93	6.78	AL74	X	X	***	X	19/32	1-1/16	1-1/16	1.5
7.93	7.78	AL84	X	X	***	X	19/32	1-1/16	1-1/16	1.8
8.93	8.78	AL94		X	***	X	19/32	1-1/16	1-1/16	2.4
9.93	9.78	AL104		X	***	X	19/32	1-1/16	1-1/16	2.9
10.93	10.78	AL114		X	***	X	19/32	1-1/16	1-1/16	3.1
11.93	11.78	AL124		X	***	X	19/32	1-1/16	1-1/16	3.8
7.2	7.0	AC72K	X	X	X	X	3/4	1-1/4	1-1/8	2.4
8.2	8.0	AC82K	X	X	X	X	3/4	1-1/4	1-1/8	2.7
9.2	9.0	AC92K	X	X	X	X	3/4	1-1/4	1-1/8	3.1
10.2	10.0	AC102K	X	X	X	X	3/4	1-1/4	1-1/8	3.4
11.2	11.0	AC112K	X	X	X	X	3/4	1-1/4	1-1/8	4.7
12.2	12.0	AC122K	X	X	X	X	3/4	1-1/4	1-1/8	4.9
14.2	14.0	AC142K		X	X	X	3/4	1-1/4	1-1/8	7.0

\*\*\* Non-Stock Bore Consult Factory



**maurey**

**Hi-Q® cast iron variable pitch sheaves**

- Permits Variation of as much as 30% in speed when used with sheaves of fixed diameter



- Hassle free adjustment is allowed by Maurey's patented (#3,661,023) internal key which locks down on the flats in the threads by simply torquing down the setscrew (Type "S" has no internal key). There is no need to remove parts.



- Available in package quantities for air movement OEM units. Light duty diameter companion sheaves also available (See Section A)

**TYPE S -**

One setscrew over flat. Machined all over to assure close balance

**TYPE M & L -**

One setscrew with Maurey patented lock key that allows simple adjustment to stationary pulley. All components individually balanced before assembly to assure close balancing tolerances

SINGLE GROOVE VARIABLE PITCH SHEAVES											
O.D. Diameter Inches	Part Number	Type	STOCK BORES MARKED X							Overall Width Inches	Approx Weight Lbs
			1/2	5/8	3/4	7/8	1	1-1/8	1-3/8		
3.25	8325	S	X	X	X					1-3/4	1.3
3.25	8325	M*				X	X	X		1-3/4	1.8
3.75	8350	M*				X	X	X		1-3/4	2.2
4.15	8400	M				X	X	X		1-3/4	2.6
4.75	8450	M				X	X	X		1-3/4	3.0
5.35	8550	M				X	X	X		1-3/4	4.0
6.00	8575	L				X		X	X	1-3/4	4.2
6.00	8600	M		X	X	X	X	X		1-3/4	4.4
6.00	8600	L							X	1-3/4	5.5
6.75	8670	M			X	X	X	X		1-3/4	6.3
6.75	8670	L							X	1-3/4	6.3
7.37	8740	M				X	X	X		1-3/4	7.2
7.37	8740	L							X	1-3/4	7.2

Dimensions Held to commercially acceptable tolerances

For Std. Keyway Dimensions Refer to Chart in Section A

\* - Two Setscrews 180 Degrees Apart Over Flats In Place of Integral Locking Key

SINGLE GROOVE VARIABLE PITCH SHEAVES													
PART NUMBER	TYPE	PITCH DIAMETER AND PITCH RANGE											
		3L BELTS				"A" HY-T "AX" TORQUE-FLEX				"B" HY-T "BX" TORQUE FLEX			
		MIN PITCH	TURNS OPEN	MAX PITCH	TURNS OPEN	MIN PITCH	TURNS OPEN	MAX PITCH	TURNS OPEN	MIN PITCH	TURNS OPEN	MAX PITCH	TURNS OPEN
8250	S	1.6	4	2.4	0								
8325	S	2.2	4	3.0	0	2.4	5	3.4	0				
8325	M	2.2	4	3.0	0	2.8	4	3.4	0				
8350	S & M	2.7	4	3.5	0	2.9	5	3.9	0	3.0	7	4.0	2
8400	S & M	3.1	4	3.9	0	3.3	5	4.3	0	3.4	7	4.4	2
8450	S & M	3.7	4	4.5	0	3.9	5	4.9	0	4.0	7	5.0	2
8550	S & M	4.3	4	5.1	0	4.5	5	5.5	0	4.6	7	5.6	2
8575	L	4.3	4	5.1	0	4.6	5	5.6	0	4.6	7	6.0	2
8600	M & L	4.9	4	5.7	0	5.2	5	6.2	0	5.3	7	6.3	2
8670	M & L					5.9	5	6.9	0	6.0	7	7.0	2
8740	M & L					6.5	5	7.5	0	6.6	7	7.6	2



# maurey Hi-Q® cast iron variable pitch sheaves



- Cast iron construction. All cast iron sheaves are zinc phosphated for rust resistance
- When ordering variable pitch sheaves, specify bore with part number. For example: D8325 x 5/8"
- Horsepower Ratings  
TYPE S - Fractional H.P.  
TYPE M & L - Up to and including 10 H.P. per groove

TYPE S - One setscrew over flat. Machined all over to assure close balance  
 TYPE M & L - One setscrew with Maurey patented lock key that allows simple adjustment to stationary pulley. All components individually balanced before assembly to assure close balancing tolerances

TWO GROOVE VARIABLE PITCH SHEAVES												
O.D. Diameter Inches	Part Number	Type	STOCK BORES MARKED X								Overall Width Inches	Approx Weight Lbs
			1/2	5/8	3/4	7/8	1	1-1/8	1-3/8	1-5/8 *		
3.25	D8325	M*	X	X	X	X	X	X			3	3.3
3.75	D8350	M*		X	X	X	X	X			3	4.1
4.15	D8400	M		X	X	X	X	X			3-3/8	5.1
4.75	D8450	M		X	X	X	X	X			3-3/8	6.0
5.35	D8550	M		X	X	X	X	X			3-3/8	7.0
5.35	D8550	L							X	X	3-3/8	8.5
6.00	D8575	L				X		X	X	X	3-3/8	8.7
6.00	D8600	M			X	X	X	X			3-3/8	8.7
6.00	D8600	L							X	X	3-3/8	10.1
6.75	D8670	M			X	X	X	X			3-3/8	12.4
6.75	D8670	L							X	X	3-3/8	12.4
7.35	D8740	M			X	X	X	X			3-3/8	14.8
7.35	D8740	L							X	X	3-3/8	14.8

\* Two Setscrews 180 Degrees Apart Over Flats In place of Integral Locking Key

Dimensions Held to commercially acceptable tolerances

▲ For Std Keyway Dimensions See Chart in Section A

- Shallow keyseat 3/8" x 1/16". A 3/8" x 1/4" key is furnished.

TWO GROOVE VARIABLE PITCH SHEAVES													
PART NUMBER	TYPE	PITCH DIAMETER AND PITCH RANGE											
		3L BELTS				"A" HY-T "AX" TORQUE-FLEX				"B" HY-T "BX" TORQUE FLEX			
		MIN PITCH	TURNS OPEN	MAX PITCH	TURNS OPEN	MIN PITCH	TURNS OPEN	MAX PITCH	TURNS OPEN	MIN PITCH	TURNS OPEN	MAX PITCH	TURNS OPEN
D8325	M	2.2	4	3.0	0	2.8	4	3.4	0				
D8350	M	2.7	4	3.5	0	2.9	5	3.9	0	3.0	7	4.0	2
D8400	M	3.1	4	3.9	0	3.3	5	4.3	0	3.4	7	4.4	2
D8450	M	3.7	4	4.5	0	3.9	5	4.9	0	4.0	7	5.0	2
D8550	M & L					4.5	5	5.5	0	4.6	7	5.6	2
D8575	L					4.8	5	5.8	0	4.9	7	6.3	2
D8600	M & L					5.2	5	6.2	0	5.3	7	6.3	2
D8670	M & L					5.9	5	6.9	0	6.0	7	7.0	2
D8740	M & L					6.5	5	7.5	0	6.6	7	7.6	2



# Hi-Q<sup>®</sup> cast iron variable pitch sheaves



- Permits Variation of as much as 30% in speed when used with sheaves of fixed diameter
- Removable lock key in common commercial design (Style 2 parts).
- Strong cast iron construction ensures long life of groove and bore and keyway.



- TYPE 1 -** One setscrew over flat. Machined all over to assure close balance
- TYPE 2 -** One setscrew over removable lock key. Key must be replaced and locked in position by setscrew(s) before operation. All components are individually balanced before assembly to assure close balancing tolerances.

SINGLE GROOVE VARIABLE PITCH SHEAVES											
O.D. Diameter Inches	Part Number	Type	STOCK BORES MARKED X							Overall Width Inches	Approx Weight Lbs
			1/2	5/8	3/4	7/8	1	1-1/8	1-3/8		
2.32	1VP25	1	X	X						1-19/32	0.7
2.87	1VP30	1	X	X						1-21/32	1.1
3.15	1VP34	1	X	X	X	X				1-7/8	1.4
3.75	1VP40	1	X	X	X	X				1-7/8	1.9
4.15	1VP44	1	X	X	X					1-7/8	2.4
4.15	1VP44	2				X	X	X		1-7/8	2.9
4.75	1VP50	1	X	X	X					2	2.9
4.75	1VP50	2				X	X	X		1-7/8	3.6
5.35	1VP56	1	X	X	X					1-7/8	3.8
5.35	1VP56	2				X	X	X		1-7/8	4.4
6.00	1VP60 *	2				X		X	X	1-21/32	6.5
6.00	1VP62 *	2		X	X	X	X	X	X	1-29/32	6.1
6.50	1VP65 *					X				1-21/32	6.8
6.55	1VP68 *	2			X	X	X	X	X	1-29/32	7.3
7.10	1VP71 *	2						X	X	1-21/32	8.2
7.50	1VP75 *	2				X	X	X	X	1-21/32	9.2

Dimensions Held to commercially acceptable tolerances For Standard Keyway Dimensions See Chart in Section A  
 \* - HAS NO HUB PROJECTION

SINGLE GROOVE VARIABLE PITCH SHEAVES													
PART NUMBER	TYPE	PITCH DIAMETER AND PITCH RANGE											
		3L BELTS				"A" HY-T "AX" TORQUE-FLEX				"B" HY-T "BX" TORQUE FLEX			
		MIN PITCH	TURNS OPEN	MAX PITCH	TURNS OPEN	MIN Datum	TURNS OPEN	MAX Datum	TURNS OPEN	MIN Datum	TURNS OPEN	MAX Datum	TURNS OPEN
1VP25	1	1.4	4	2.2	0								
1VP30	1	1.8	4	2.7	0								
1VP34	1	1.7	4	2.5	0	1.9	5	2.9	0	2.4	5	3.2	1
1VP40	1	2.3	4	3.1	0	2.4	5	3.4	0	2.7	6	3.7	1
1VP44	1 & 2	2.7	4	3.5	0	2.8	5	3.8	0	3.1	6	4.1	1
1VP50	1 & 2	3.3	4	4.1	0	3.4	5	4.4	0	3.7	6	4.7	1
1VP56	1 & 2	3.9	4	4.7	0	4.0	5	5.0	0	4.3	6	5.3	1
1VP60	2					4.2	5	5.2	0	4.3	6	5.5	0
1VP62	2	4.5	4	5.3	0	4.6	5	5.6	0	4.9	6	5.9	1
1VP65	2					4.7	5	5.7	0	4.8	6	6.0	0
1VP68	2	5.1	4	5.9	0	5.2	5	6.2	0	5.5	6	6.5	1
1VP71	2					5.3	5	6.3	0	5.4	6	6.6	0
1VP75	2					5.7	5	6.7	0	5.8	6	7.0	0

Not recommended for use with this belt cross section.



# Hi-Q® cast iron variable pitch sheaves



Strong cast iron construction ensures long life of groove and bore and keyway.



Removable lock key in common commercial design (Style 2 parts).



**Horsepower Ratings**  
 TYPE 1 - Fractional H.P.  
 TYPE 2 - Up to and including 10 H.P. per groove



- TYPE 1 -** One setscrew over flat. Machined all over to assure close balance
- TYPE 2 -** One setscrew over removable lock key. Key must be replaced and locked in position by setscrew(s) before operation. All components are individually balanced before assembly to assure close balancing tolerances.

TWO GROOVE VARIABLE PITCH SHEAVES												
O.D. Diameter Inches	Part Number	Type	STOCK BORES MARKED X								Overall Width Inches	Approx Weight Lbs
			1/2	5/8	3/4	7/8	1	1-1/8	1-3/8	1-5/8		
3.35	2VP36	1	X	X	•	X	X	X			3	3.4
3.95	2VP42	1		X	•	X	X	X			3	4.4
4.75	2VP50	2		X	•	X	X	X			3	6.3
5.35	2VP56	2			•	X	X	X	X	X	3	7.8
6.00	2VP60	2			•	X	X	X	X	X	3-1/4	10.6
5.95	2VP62	2			•	X	X	X	X	X	3	10.0
6.50	2VP65	2			•				X		3-1/4	12.3
6.55	2VP68	2			•	X	X	X	X	X	3	11.7
7.50	2VP75	2			•		X	X	X	X	3-1/4	16.5

Dimensions Held to commercially acceptable tolerances

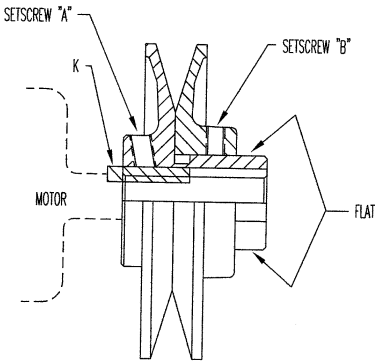
▲ For Std. Keyway Dimensions See Chart in Section A

TWO GROOVE VARIABLE PITCH SHEAVES													
PART NUMBER	TYPE	PITCH DIAMETER AND PITCH RANGE											
		3L BELTS				"A" HY-T "AX" TORQUE-FLEX				"B" HY-T "BX" TORQUE FLEX			
		MIN PITCH	TURNS OPEN	MAX PITCH	TURNS OPEN	MIN Datum	TURNS OPEN	MAX Datum	TURNS OPEN	MIN Datum	TURNS OPEN	MAX Datum	TURNS OPEN
2VP36	1	1.9	4	2.7	0	2.0	5	3.0	0	2.5	5	3.3	1
2VP42	1	2.5	4	3.3	0	2.6	5	3.6	0	2.9	6	3.9	1
2VP50	2	3.3	4	4.1	0	3.4	5	4.4	0	3.7	6	4.7	1
2VP56	2	3.9	4	4.7	0	4.0	5	5.0	0	4.3	6	5.3	1
2VP60	2					4.2	5	5.2	0	4.3	6	5.5	0
2VP62	2	4.5	4	5.3	0	4.6	5	5.6	0	4.9	6	5.9	1
2VP65	2					4.7	5	5.7	0	4.8	6	6.0	0
2VP68	2	5.1	4	5.9	0	5.2	5	6.2	0	5.5	6	6.5	1
2VP75	2					5.7	5	6.7	0	5.8	6	7.0	0

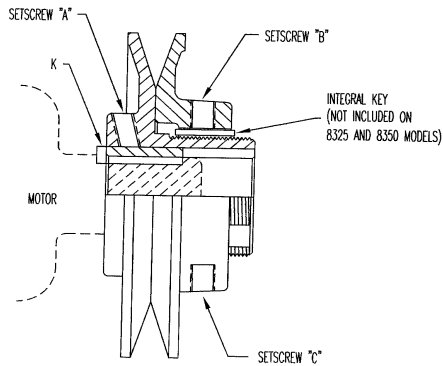
Not recommended for use with this belt cross section.



# SINGLE GROOVE VARIABLE PITCH INSTALLATION INSTRUCTIONS



**DO NOT OPERATE  
SHEAVE WITH FLANGE  
END PROTRUDING  
BEYOND STEM**



**STYLE "S"**

**STYLE "M" AND "L"**

MOTOR MUST BE LOCKED OUT AND ALL APPLICABLE SAFETY PRECAUTIONS MUST BE FOLLOWED WHEN ADJUSTING DRIVE.

Place sheave on shaft with hub (body) side towards the motor. Place keystone "K" (not provided unless a rectangular key is required) in keyseat between shaft and bore of body. (Note: 1/2 inch bores do not have keyslots).

Align shafts and drive and lock variable pitch sheave on shaft using setscrew "A". Use between 135 in-lbs and 150 in-lbs of torque. **NOTE: Using higher than recommended installation torque may cause damage to the sheave.**

Loosen setscrew "B" (and "C" if available) and adjust sheave to desired pitch by opening the appropriate number of turns from the first flat after the full closed position. **NOTE: Each turn changes the pitch line by 0.5 inch.**

- 4.1. On style "S" sheaves, visually locate the setscrew "B" over the flat on the body stem. Lock the setscrew down using between 135 in-lbs and 150 in-lbs of torque.
- 4.2. On 8325 & 8350 "M" style sheaves, locate either setscrew "B" or "C" over the flat on the body stem. Lock both setscrews down using between 135 in-lbs and 150 in-lbs of torque.
- 4.3. On 8400 and larger "M" and "L" style sheaves, locate Maurey Integral Quick Key over the flat (TIP keep finger on key while adjusting it to feel it seat on flat). Lock down using between 135 in-lbs and 150 in-lbs of torque. KEY MUST BE LOCKED OVER FLAT FOR PROPER OPERATION.

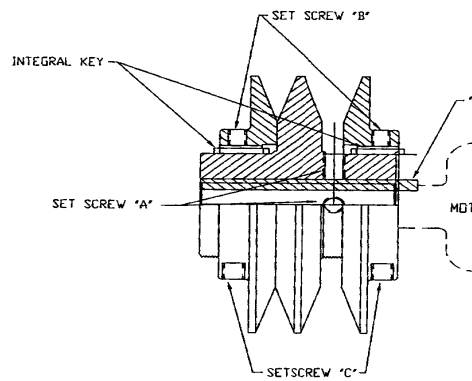
Place belt over sheaves (DO NOT PRY BELTS OVER SHEAVES). Adjust drive to proper tension. Lock motor in place.

Additional adjustments may be made by loosening the belts and following steps 2 through 5 above.

**NOTE: ALL SETSCREWS MUST BE LOCKED IN PLACE PRIOR TO STARTING THE DRIVE. DAMAGE MAY BE DONE TO SHEAVES AND EQUIPMENT IF SETSCREWS ARE NOT PROPERLY LOCKED IN PLACE. ADDITIONAL DRIVE AND SETSCREW TIGHTENING SHOULD BE PERFORMED AFTER TWENTY-FOUR HOURS OF OPERATION.**

OUTER DIA.	PART NO.	STYLE	BORES
2.50	8250	S	1/2, 5/8, 3/4
3.25	8325	S	1/2, 5/8, 3/4
3.25	8325	M	7/8, 1, 1-1/8
3.75	8350	S	1/2, 5/8, 3/4
3.75	8350	M	7/8, 1, 1-1/8
4.15	8400	S	1/2, 5/8, 3/4
4.15	8400	M	7/8, 1, 1-1/8
4.75	8450	S	1/2, 5/8, 3/4
4.75	8450	M	7/8, 1, 1-1/8
5.35	8550	S	5/8, 3/4
5.35	8550	M	7/8, 1, 1-1/8
6.00	8575	M	7/8, 1-1/8, 1-3/8
6.00	8600	M	5/8, 3/4, 7/8, 1, 1-1/8
6.00	8600	L	1-3/8
6.75	8670	M	3/4, 7/8, 1, 1-1/8
6.75	8670	L	1-3/8
7.37	8740	M	3/4, 7/8, 1, 1-1/8
7.37	8740	L	1-3/8

# DOUBLE GROOVE VARIABLE PITCH INSTALLATION INSTRUCTIONS



STYLE "M" AND "L"

**DO NOT OPERATE  
SHEAVE WITH FLANGE  
END PORTRUDING  
BEYOND BODY STEM**

1. MOTOR MUST BE LOCKED OUT AND ALL APPLICABLE SAFETY PRECAUTIONS MUST BE FOLLOWED WHEN ADJUSTING DRIVE.
2. Place sheave on shaft with hub (body) setscrew side towards the motor (setscrew on body between flange and center piece). Place keystock "K" (not provided unless a rectangular key is required) in keyseat between shaft and bore of body. (Note: 1/2 inch bores do not have keyways).
3. Align shafts and drive and lock variable pitch sheave on shaft using setscrews "A". Use between 135 in-lbs and 150 in-lbs of torque. **NOTE: Using higher than recommended installation torque may cause damage to the sheave.**
4. Loosen setscrew "B" (and "C" if available) and adjust sheave flange to desired pitch by opening the appropriate number of turns from the first flat after the full closed position. Each turn changes the pitch line by 0.5 inch. **Front and back side flange setscrews may be 180 degrees apart when over first flat and in final locking position.**
  - 4.1 On D8325 & D8350 model sheaves, visually locate the setscrew "B" over the flat on the body stem. Lock the setscrews "B" AND "C" down using between 135 in-lbs and 150 in-lbs of torque.
  - 4.2 On all other model sheaves, locate Maurey Integral Quick Key over the flat (TIP keep finger on key while adjusting it to feel it seat on flat). Lock down using between 135 in-lbs and 150 in-lbs of torque. **KEY MUST BE LOCKED OVER FLAT FOR PROPER OPERATION.**

Place belt over sheaves (DO NOT PRY BELTS OVER SHEAVES). Adjust drive to proper tension. Lock motor in place. Additional adjustments may be made by loosening the belts and following steps 2 through 5 above.

**NOTE: ALL SETSCREWS MUST BE LOCKED IN PLACE PRIOR TO STARTING THE DRIVE. DAMAGE MAY BE DONE TO SHEAVES AND EQUIPMENT IF SETSCREWS ARE NOT PROPERLY LOCKED IN PLACE. ADDITIONAL DRIVE AND SETSCREW TIGHTENING SHOULD BE PERFORMED AFTER TWENTY-FOUR HOURS OF OPERATION.**

**TIP: IF ONE BELT APPEARS LOOSE, REMOVE TENSION FROM THE DRIVE AND ADJUST LOOSE SIDE FLANGE BY ONE HALF TURN.**

OUTER DIA.	PART NO.	STYLE	BORES
3.25	D8325	M	1/2, 5/8, 3/4, 7/8, 1, 1-1/8
3.75	D8350	M	5/8, 3/4, 7/8, 1, 1-1/8
4.15	D8400	M	5/8, 3/4, 7/8, 1, 1-1/8
4.75	D8450	M	5/8, 3/4, 7/8, 1, 1-1/8
5.35	D8550	M	5/8, 3/4, 7/8, 1, 1-1/8
5.35	D8550	L	1-3/8, 1-5/8
6.00	D8575	L	7/8, 1-1/8, 1-3/8, 1-5/8
6.00	D8600	M	3/4, 7/8, 1, 1-1/8
6.00	D8600	L	1-3/8, 1-5/8
6.75	D8670	M	3/4, 7/8, 1, 1-1/8
6.75	D8670	L	1-3/8, 1-5/8
7.35	D8740	M	3/4, 7/8, 1, 1-1/8
7.35	D8740	L	1-3/8, 1-5/8





## **MULTI-V FUL-GRIP SHEAVES AND BUSHINGS**

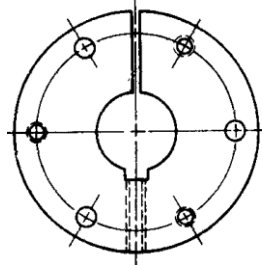


### **FUL-GRIP (QD) BUSHINGS FUL-GRIP (QD) SHEAVES STANDARD MULTI-V SHEAVES SPECIAL MADE-TO-ORDER SHEAVES**

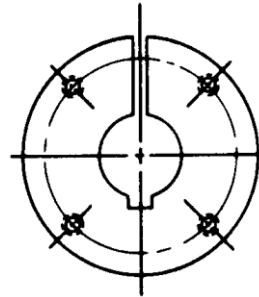
Industry puts Maurey sheaves on more drives every year simply because it pays to do so. Machined from close-grained, grey iron castings and statically balanced to MPTA standards, these sheaves will stand up to hard service and provide smooth, quiet-running, belt-saving performance. However, please note that cast iron sheaves cannot exceed 6500 feet per a minute rim speed. Also, special or dynamic balancing should be considered when rim speeds exceed 5000 feet per a minute. Maurey sheaves are available in stock sizes for B, C, D section belts. Maurey also offers special made-to-order items for B, C, D section belts as well. The Ful-Grip bushing system is Maurey's answer to the need for sheaves that are installed, removed, and interchanged with the ultimate in ease and speed. With tapered bores to slip easily over flanged and detachable bushings, tapered to match the rims, Ful-Grips are the adaptability champions. Installation instructions in this section show how easily Ful-Grips make it possible to retain the bushing and change the sheave to suit speed, or retain the sheave and change the bushing to fit a different shaft size.



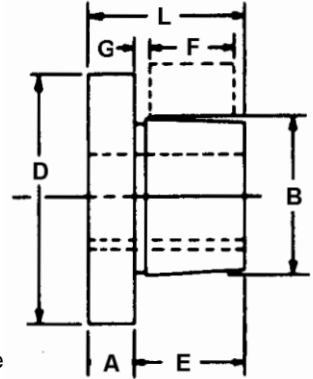
# ful-grip bushing data



Bushings JA to J Inclusive



Bushings M to S inclusive



**NOTE:** JA & SH bushings have no set screw over keyseat

## FUL-GRIP BUSHING DIMENSIONS

Bushing	Dimensions in Inches							Bolt Circle	Cap Screws Required
	A	B	D	E	F	G	L		
JA	5/16	1.375	2	11/16	5/8	1/8	1	1-21/32	3 - #10 x 1
SH	3/8	1.871	2-11/16	7/8	13/16	1/8	1-1/4	2-1/4	3 - 1/4 x 1-3/8
SDS	7/16	2.1875	3-3/16	7/8	3/4	1/8	1-5/16	2-11/16	3 - 1/4 x 1-3/8
SD	7/16	2.1875	3-3/16	1-3/8	1-1/4	1/8	1-13/16	2-11/16	3 - 1/4 x 2
SK	1/2	2.8125	3-7/8	1-3/8	1-1/4	1/8	1-7/8	3-5/16	3 - 5/16 x 2
SF	1/2	3.125	4-5/8	1-1/2	1-1/4	1/8	2	3-7/8	3 - 3/8 x 2
E	3/4	3.834	6	1-7/8	1-5/8	1/8	2-5/8	5	3 - 1/2 x 2-3/4
F	13/16	4.4375	6-5/8	2-13/16	2-1/2	3/16	3-5/8	5-5/8	3 - 9/16 x 3-1/2
J	1	5.1484	7-1/4	3-1/2	3-3/16	3/16	4-1/2	6-1/4	3 - 5/8 x 4-1/2
M	1-1/4	6.500	9	5-1/2	5-3/16	3/16	6-3/4	7-7/8	4 - 3/4 x 6-3/4
N	1-1/2	7.000	10	6-5/8	6-1/4	1/4	8-1/8	8-1/2	4 - 7/8 x 8
P	1-3/4	8.250	11-3/4	7-5/8	7-1/4	1/4	9-3/8	10	4 - 1 x 9-1/2

Certain bores in "Ful-Grip" bushings are of such a size that standard depth keyseats cannot be furnished. When a shallow keyseat is required, a rectangular key of the proper dimension is furnished with the bushing. The table to the right lists some keyseat specifications for all bushing bores. For more detail on specific bores and their corresponding keyseats please refer to the tables on the next pages.

Bushing	Stock Bore Range				Weight Lbs.
	Minimum	Maximum			
	Standard Keyseat	Standard Keyseat	Shallow Keyseat	No Keyseat	
JA	1/2	1	1-3/16	1-1/4	.8
SH	1/2	1-3/8	1-5/8	1-11/16	1.0
SDS	1/2	1-11/16	1-15/16	2	1.2
SD	1/2	1-11/16	1-15/16	2	1.5
SK	1/2	2-1/8	2-1/2	2-5/8	2.0
SF	1/2	2-1/4	2-3/4	2-15/16	3.5
E	7/8	2-3/4	3-7/16	3-1/2	9.0
F	1	3-1/4	3-15/16	*	14.0
J	1-7/16	3-3/4	4-7/16	*	22.0
M	2	4-11/16	5-1/2	*	51.0
N	2-1/2	5	5-7/8	*	66.0
P	2-15/16	5-11/16	7/8	*	122.0

\* Please Consult Maurey's Engineering Department





**maurey**

**ful-grip bushings**

**bore and keyseat dimensions**

<b>JA BUSHINGS</b>	
<b>BORE SIZES</b>	<b>KEY SEAT</b>
1/2, 9/16	1/8 X 1/16
5/8, 11/16, 3/4, 13/16, 7/8	3/16 X 3/32
15/16, 1	1/4 X 1/8
1-1/16, 1-1/8, 1-3/16	1/4 X 1/16
1-1/4,	NONE
<b>SH BUSHINGS</b>	
<b>BORE SIZES</b>	<b>KEY SEAT</b>
1/2, 9/16	1/8 X 1/16
5/8, 11/16, 3/4, 13/16, 7/8	3/16 X 3/32
15/16, 1, 1-1/16, 1-1/8	1/4 X 1/8
1-3/16, 1-1/4	1/4 X 1/8
1-5/16, 1-3/8	5/16 X 5/32
1-7/16, 1-1/2, 1-9/16, 1-5/8	3/8 X 1/16
1-11/16,	NONE
<b>SDS BUSHINGS</b>	
<b>BORE SIZES</b>	<b>KEY SEAT</b>
1/2, 9/16	1/8 X 1/16
5/8, 11/16, 3/4, 13/16, 7/8	3/16 X 3/32
15/16, 1, 1-1/16, 1-1/8	1/4 X 1/8
1-3/16, 1-1/4	1/4 X 1/8
1-5/16, 1-3/8	5/16 X 5/32
1-7/16, 1-1/2, 1-9/16, 1-5/8	3/8 X 3/16
1-11/16,	3/8 X 3/16
1-3/4,	3/8 X 1/8
1-13/16,	1/2 X 1/8
1-7/8, 1-15/16	1/2 X 1/16
2	NONE
<b>SD BUSHINGS</b>	
<b>BORE SIZES</b>	<b>KEY SEAT</b>
1/2, 9/16	1/8 X 1/16
5/8, 11/16, 3/4, 13/16, 7/8	3/16 X 3/32
15/16, 1, 1-1/16, 1-1/8	1/4 X 1/8
1-3/16, 1-1/4	1/4 X 1/8
1-5/16, 1-3/8	5/16 X 5/32
1-7/16, 1-1/2, 1-9/16, 1-5/8	3/8 X 3/16
1-11/16,	3/8 X 3/16
1-3/4,	3/8 X 1/8
1-13/16,	1/2 X 1/8
1-7/8, 1-15/16	1/2 X 1/16
2	NONE

<b>SK BUSHINGS</b>	
<b>BORE SIZES</b>	<b>KEY SEAT</b>
1/2, 9/16	1/8 X 1/16
5/8, 11/16, 3/4, 13/16, 7/8	3/16 X 3/32
15/16, 1, 1-1/16, 1-1/8	1/4 X 1/8
1-3/16, 1-1/4	1/4 X 1/8
1-5/16, 1-3/8	5/16 X 5/32
1-7/16, 1-1/2, 1-9/16, 1-5/8	3/8 X 3/16
1-11/16, 1-3/4	3/8 X 3/16
1-13/16, 1-7/8, 1-15/16	1/2 X 1/4
2, 2-1/16, 2-1/8	1/2 X 1/4
2-3/16, 2-1/4	1/2 X 1/8
2-5/16, 2-3/8, 2-7/16, 2-1/2	5/8 X 1/16
2-9/16, 2-5/8	NONE
<b>SF BUSHINGS</b>	
<b>BORE SIZES</b>	<b>KEY SEAT</b>
1/2,	1/8 X 1/16
5/8, 3/4, 13/16, 7/8	3/16 X 3/32
15/16, 1, 1-1/16, 1-1/8	1/4 X 1/8
1-3/16, 1-1/4	1/4 X 1/8
1-5/16, 1-3/8	5/16 X 5/32
1-7/16, 1-1/2, 1-9/16, 1-5/8	3/8 X 3/16
1-11/16, 1-3/4	3/8 X 3/16
1-13/16, 1-7/8, 1-15/16	1/2 X 1/4
2, 2-1/16, 2-1/8, 2-3/16, 2-1/4	1/2 X 1/4
2-5/16, 2-3/8, 2-7/16, 2-1/2	5/8 X 3/16
2-9/16, 2-5/8, 2-11/16, 2-3/4	5/8 X 1/16
2-7/8	3/4 X 1/16
2-15/16	3/4 X 1/32
<b>E BUSHINGS</b>	
<b>BORE SIZES</b>	<b>KEY SEAT</b>
7/8	3/16 X 3/32
15/16, 1, 1-1/8	1/4 X 1/8
1-3/16, 1-1/4	1/4 X 1/8
1-5/16, 1-3/8	5/16 X 5/32
1-7/16, 1-1/2, 1-9/16, 1-5/8	3/8 X 3/16
1-11/16, 1-3/4	3/8 X 3/16
1-13/16, 1-7/8, 1-15/16	1/2 X 1/4
2, 2-1/16, 2-1/8, 2-3/16, 2-1/4	1/2 X 1/4
2-5/16, 2-3/8, 2-7/16, 2-1/2	5/8 X 5/16
2-9/16, 2-5/8, 2-11/16, 2-3/4	5/8 X 5/16
2-13/16, 2-7/8, 2-15/16, 3	3/4 X 1/8
3-1/8, 3-3/16, 3-1/4	3/4 X 1/8
3-5/16, 3-3/8, 3-7/16, 3-1/2	7/8 X 1/16

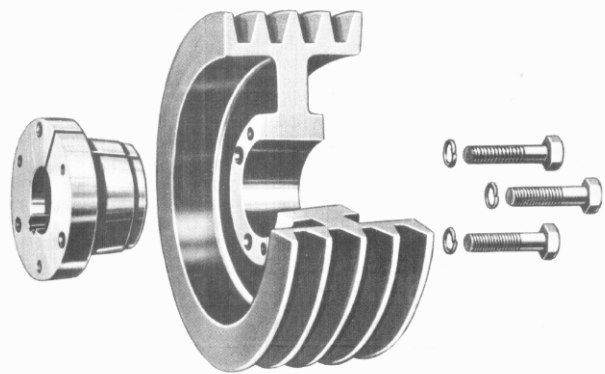



**maurey**

# ful-grip bushings bore and keyseat dimensions

<b>F BUSHINGS</b>	
BORE SIZES	KEY SEAT
1, 1-1/8, 1-3/16, 1-1/4	1/4 X 1/8
1-3/8	5/16 X 5/32
1-7/16, 1-1/2, 1-9/16, 1-5/8	3/8 X 3/16
1-3/4	3/8 X 3/16
1-7/8, 1-15/16	1/2 X 1/4
2, 2-1/16, 2-1/8, 2-1/4	1/2 X 1/4
2-5/16, 2-3/8, 2-7/16, 2-1/2	5/8 X 5/16
2-9/16, 2-5/8, 2-11/16, 2-3/4	5/8 X 5/16
2-13/16, 2-7/8, 2-15/16, 3	3/4 X 3/8
3-1/8, 3-3/16, 3-1/4	3/4 X 3/8
3-5/16, 3-3/8, 3-7/16, 3-1/2	7/8 X 3/16
3-5/8, 3-11/16, 3-3/4	7/8 X 3/16
3-7/8, 3-15/16	1 X 1/8
4	NONE
<b>J BUSHINGS</b>	
BORE SIZES	KEY SEAT
1-7/16, 1-1/2, 1-9/16	3/8 X 3/16
1-11/16, 1-3/4	3/8 X 3/16
1-7/8, 1-15/16, 2, 2-1/8, 2-1/4	1/2 X 1/4
2-5/16, 2-3/8, 2-7/16, 2-1/2	5/8 X 5/16
2-5/8, 2-11/16, 2-3/4	5/8 X 5/16
2-7/8, 2-15/16, 3	3/4 X 3/8
3-1/8, 3-3/16, 3-1/4	3/4 X 3/8
3-5/16, 3-3/8, 3-7/16, 3-1/2	7/8 X 7/16
3-5/8, 3-11/16, 3-3/4	7/8 X 7/16
3-13/16,	1 X 1/2
3-7/8, 3-15/16	1 X 3/8
4, 4-1/8, 4-3/16, 4-1/4, 4-3/8	1 X 1/8
4-7/16, 4-1/2	1 X 1/8
<b>M BUSHINGS</b>	
BORE SIZES	KEY SEAT
1-15/16, 2, 2-3/16, 2-1/4	1/2 X 1/4
2-3/8, 2-7/16, 2-1/2	5/8 X 5/16
2-5/8, 2-11/16, 2-3/4	5/8 X 5/16
2-7/8, 2-15/16, 3	3/4 X 3/8
3-1/8, 3-3/16, 3-1/4	3/4 X 3/8
3-3/8, 3-7/16, 3-1/2	7/8 X 7/16
3-5/8, 3-11/16, 3-3/4	7/8 X 7/16
3-7/8, 3-15/16, 4	1 X 1/2
4-1/8, 4-3/16, 4-1/4, 4-3/8	1 X 1/2
4-7/16, 4-1/2	1 X 1/2
4-11/16	1-1/4 X 5/8
4-3/4, 4-7/8, 4-15/16, 5	1-1/4 X 1/4
5-3/16, 5-1/4, 5-7/16, 5-1/2	1-1/4 X 1/4

<b>N BUSHINGS</b>	
BORE SIZES	KEY SEAT
2-15/16, 3	3/4 X 3/8
3-3/8, 3-7/16, 3-1/2	7/8 X 7/16
3-5/8, 3-3/4	7/8 X 7/16
3-7/8, 3-15/16, 4, 4-3/16	1 X 1/2
4-1/4, 4-3/8, 4-7/16, 4-1/2	1 X 1/2
4-5/8, 4-3/4, 4-7/8, 4-15/16	1-1/4 X 5/8
5	1-1/4 X 5/8
5-3/16, 5-7/16, 5-1/2,	1-1/4 X 1/4
5-7/8,	1-1/2 X 1/4
5-15/16,	1-1/2 X 1/8
<b>P BUSHINGS</b>	
BORE SIZES	KEYSEAT
2-15/16, 3-1/4	3/4 X 3/8
3-7/16, 3-1/2, 3-5/8, 3-3/4	7/8 X 7/16
3-7/8, 3-15/16, 4, 4-1/4	1 X 1/2
4-3/8, 4-7/16, 4-1/2	1 X 1/2
4-5/8, 4-11/16, 4-3/4, 4-7/8,	1-1/4 X 5/8
4-15/16, 5, 5-3/16, 5-1/4,	1-1/4 X 5/8
5-5/16, 5-3/8, 5-7/16, 5-1/2	1-1/4 X 5/8
5-3/4,	1-1/2 X 3/4
5-7/8, 5-15/16, 6, 6-1/16	1-1/2 X 1/4
6-1/4, 6-7/16, 6-1/2	1-1/2 X 1/4
6-3/4, 7	1-3/4 X 1/8





# maurey full-grip bushings

## bore and keyseat dimensions

### METRIC STOCK BORE INFORMATION

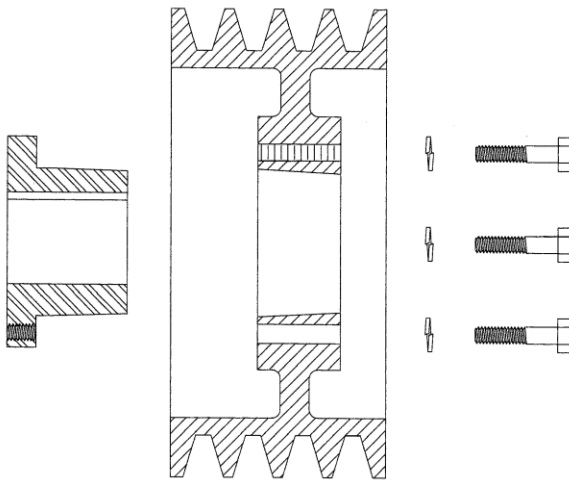
<b>JA BUSHINGS</b>	
BORE (MM)	KEYWAY
12	NONE
15, 17	5 X 5
19, 20, 22	6 X 6
24	8 X 6
28	8 X 5
<b>SH BUSHINGS</b>	
BORE (MM)	KEYWAY
19	6 X 6
24, 25, 28, 30	8 X 7
32, 35	10 X 8
<b>SDS BUSHINGS</b>	
BORE (MM)	KEYWAY
24, 25, 28,	8 X 7
30, 32	8 X 7
35, 38	10 X 8
40, 42	12 X 8
<b>SD BUSHINGS</b>	
BORE (MM)	KEYWAY
24, 25, 28, 30	8 X 7
35, 38	10 X 8
40, 42	12 X 8

<b>SK BUSHINGS</b>	
BORE (MM)	KEYWAY
24, 25, 28, 30	8 X 7
32, 35, 38	10 X 8
40, 42	12 X 8
45, 48, 50	14 X 9
55	16 X 10
<b>SF BUSHINGS</b>	
BORE (MM)	KEYWAY
28, 30	8 X 7
32, 35, 38	10 X 8
40, 42	12 X 8
45, 48, 50	14 X 9
55	16 X 10
60	18 X 11
65	18 X 8 *
<b>E BUSHINGS</b>	
BORE (MM)	KEYWAY
35, 38	10 X 8
40, 42	12 X 8
45, 48, 50	14 X 9
55	16 X 10
60, 65	18 X 11
70, 75	20 X 12
80	22 X 11

<b>F BUSHINGS</b>	
BORE (MM)	KEYWAY
45, 48, 50	14 X 9
55	16 X 10
60, 65	18 X 11
70, 75	20 X 12
80, 85	22 X 14
90	25 X 14
<b>J BUSHINGS</b>	
BORE (MM)	KEYWAY
50	14 X 9
55	16 X 10
60, 65	18 X 11
70, 75	20 X 12
80, 85	22 X 14
90, 95	25 X 14
100	28 X 16
<b>M BUSHINGS</b>	
BORE (MM)	KEYWAY
80	22 X 14
90	25 X 14
100	28 X 16
120	32 X 18

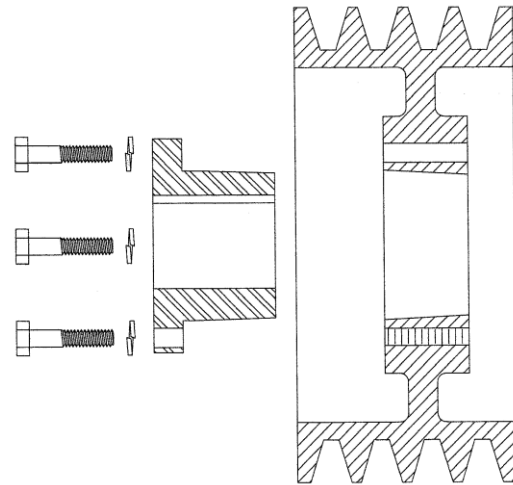
\*- SHALLOW KEYSTOCK REQUIRED

The "Keyway" dimensions shown refer to the dimensions of the keystone not the keyway. The keyway is manufactured to accommodate this keystone size. This nomenclature is in accordance with metric standards.



**STANDARD MOUNTING ASSEMBLY**

**Fig. 1**



**REVERSE MOUNTING ASSEMBLY**

**Fig. 2**

# INSTALLATION AND REMOVAL OF QD SHEAVES

## INSTALLATION

1. Make sure the bore of the sheave and the tapered cone surface of the bushing are free of all the foreign substances such as paint, dirt, lubricants, etc. Do not use lubricants on installation.
2. Assemble bushings and sheave as shown above in Figures 1 and 2, whichever applies. With cap screws loosely inserted, the bushing remains fully expanded to assume a sliding fit on the shaft. Note: When installing bushings M thru S, locate the extra holes in the hub as far as possible from the bushing's saw cut in order to reduce the possibility of bushing flange breakage. **CAUTION: Do not use lubricants on screw threads or tapered surfaces**
3. With key on shaft, slide sheave assembly to its desired position with cap screw heads on outside. (Exception: Some shaft lengths may require the sheaves to be reversed with the cap screw heads to the inside - see Figure 2.)
4. Line up the sheave assembly and tighten cap screws evenly and progressively to the torque value listed in the table. Never allow the sheave to be drawn in contact with the bushing flange. There should be a gap of 1/8" to 1/4" between the sheave hub and the bushing flange. If the gap is closed, the shaft is seriously undersize.
5. Tighten the set screw to hold the key securely on the shaft during operation.

**CAUTION:** When mounting a "FUL-GRIP" bushing, the tightening force of the screws is multiplied many times by the wedging action of the tapered surface. This action compresses the bushing for a snug fit on the shaft. If extreme screw tightening force or lubricants are applied in mounting the "FUL-GRIP" bushing, bursting pressures will be created in the hub of the mounted sheave which may cause it to crack.

Refer to the recommended torque ratings

## REMOVAL

1. Loosen and remove cap screws.
2. Insert cap screws in tapered removal holes and starting with bolt farthest from sawnut on bushing, tighten evenly and progressively until sheave is loose on bushing. If sheaves in Figure 2 are installed with cap screw heads next to motor, loosen cap screws and use a wedge between the bushing and the sheave.
3. Remove sheave and bushing

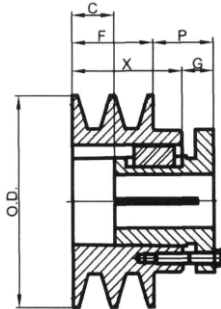
**CAUTION:** Excessive or unequal pressure on the jack screws can break the bushing flange

Bushing	Wrench Torque (In.-Lbs)	Wrench Length (Inches)	Wrench Pull (Pounds)
JA	60	4	15
SH	108	4	27
SDS	108	4	27
SDS	108	4	27
SK	180	6	30
SF	360	6	60
E	720	12	60
F	900	12	75
J	1620	12	135
M	2700	15	180
N	3600	15	240
P	5400	18	300

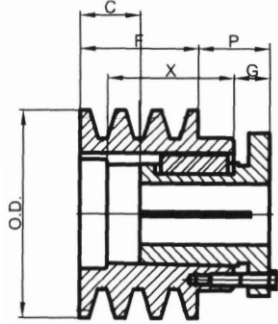


# Split-Barrel Bushed Sheaves - Stock Dimensions

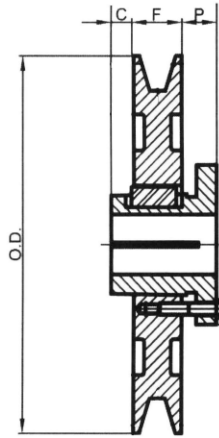
conventional v-belt drives for use with "A" and "B" belts



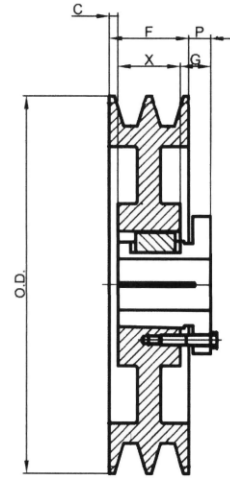
TYPE F



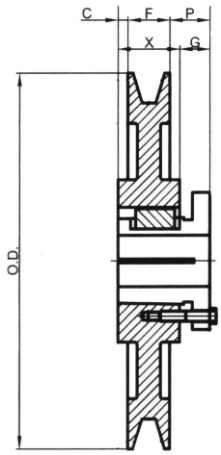
TYPE G



TYPE I



TYPE J



TYPE K

Figure Following Letter in Column Headed "TYPE" in Table Below Indicates Sheave Construction  
1 - Solid, No Web. 2 - Web. 3 - Arms

O.D.	DATUM DIAMETER		1 GROOVE								2 GROOVE							
	A BELTS	B BELTS	PART NUMBER	F = 1							PART NUMBER	F = 1-3/4						
				BUSH	TYPE	P	C	G	X	WT. LBS		BUSH	TYPE	P	C	G	X	WT. LBS
3.75	3.0	3.4	1TB34	P1	F1	1-1/16	1/8	5/8	1-7/16	2.0	2TB34	P1	F1	1-1/16	7/8	5/8	2-3/16	2.9
3.95	3.2	3.6	1TB36	P1	F1	1-1/16	1/8	5/8	1-7/16	2.3	2TB36	P1	F1	1-1/16	7/8	5/8	2-3/16	3.8
4.15	3.4	3.8	1TB38	P1	F1	1-1/16	1/8	5/8	1-7/16	2.6	2TB38	P1	G1	5/8	7/16	--	1-5/16	3.0
4.35	3.6	4.0	1TB40	P1	I1	5/8	5/16	--	--	2.1	2TB40	P1	G1	5/8	7/16	--	1-5/16	3.8
4.55	3.8	4.2	1TB42	P1	I1	5/8	5/16	--	--	2.4	2TB42	P1	G1	5/8	7/16	--	1-5/16	3.9
4.75	4.0	4.4	1TB44	P1	I1	5/8	5/16	--	--	2.8	2TB44	P1	J1	3/16	--	5/8	1-5/16	3.9
4.95	4.2	4.6	1TB46	P1	I1	5/8	5/16	--	--	3.1	2TB46	P1	J1	3/16	--	5/8	1-5/16	4.5
5.15	4.4	4.8	1TB48	P1	I1	5/8	5/16	--	--	3.5	2TB48	P1	J1	3/16	--	5/8	1-5/16	5.3
5.35	4.6	5.0	1TB50	P1	I1	5/8	5/16	--	--	3.9	2TB50	P1	J1	3/16	--	5/8	1-5/16	5.6
5.55	4.8	5.2	1TB52	P1	I1	5/8	5/16	--	--	4.1	2TB52	P1	J1	3/16	--	5/8	1-5/16	6.1
5.75	5.0	5.4	1TB54	P1	I1	5/8	5/16	--	--	4.6	2TB54	P1	J1	3/16	--	5/8	1-5/16	6.5
5.95	5.2	5.6	1TB56	P1	I1	5/8	5/16	--	--	5.1	2TB56	P1	J1	3/16	--	5/8	1-5/16	7.4
6.15	5.4	5.8	1TB58	P1	I1	5/8	5/16	--	--	5.6	2TB58	P1	J1	3/16	--	5/8	1-5/16	8.0
6.35	5.6	6.0	1TB60	P1	I2	5/8	5/16	--	--	6.0	2TB60	P1	J1	3/16	--	5/8	1-5/16	8.9
6.55	5.8	6.2	1TB62	P1	I2	5/8	5/16	--	--	5.5	2TB62	P1	J2	3/16	--	5/8	1-5/16	7.6
6.75	6.0	6.4	1TB64	P1	I2	5/8	5/16	--	--	5.8	2TB64	P1	J2	3/16	--	5/8	1-5/16	7.8
6.95	6.2	6.6	1TB66	P1	I2	5/8	5/16	--	--	5.9	2TB66	P1	J2	3/16	--	5/8	1-5/16	8.3
7.15	6.4	6.8	1TB68	P1	I2	5/8	5/16	--	--	6.1	2TB68	P1	J2	3/16	--	5/8	1-5/16	8.8
7.35	6.6	7.0	1TB70	P1	K3	25/32	5/32	5/8	1-5/16	6.4	2TB70	Q1	J2	3/4	--	3/4	1-3/4	11.1
7.75	7.0	7.4	1TB74	P1	K3	25/32	5/32	5/8	1-5/16	7.3	2TB74	Q1	J2	3/4	--	3/4	1-3/4	11.5
8.35	7.6	8.0	1TB80	P1	K3	25/32	5/32	5/8	1-5/16	7.8	2TB80	Q1	J2	3/4	--	3/4	1-3/4	12.8
8.95	8.2	8.6	1TB86	P1	K3	25/32	5/32	5/8	1-5/16	8.6	2TB86	Q1	J2	3/4	--	3/4	1-3/4	16.0
9.35	8.6	9.0	1TB90	P1	K3	25/32	5/32	5/8	1-5/16	8.9	2TB90	Q1	J3	3/4	--	3/4	1-3/4	15.1
9.75	9.0	9.4	1TB94	P1	K3	25/32	5/32	5/8	1-5/16	9.1	2TB94	Q1	J3	3/4	--	3/4	1-3/4	15.5
11.35	10.6	11.0	1TB110	P1	K3	25/32	5/32	5/8	1-5/16	11.1	2TB110	Q1	J3	3/4	--	3/4	1-3/4	18.9
12.75	12.0	12.4	1TB124	Q1	K3	1-1/8	3/8	3/4	1-3/4	17.8	2TB124	Q1	J3	3/4	--	3/4	1-3/4	21.1
13.95	13.2	13.6	1TB136	Q1	K3	1-1/8	3/8	3/4	1-3/4	18.2	2TB136	Q1	J3	3/4	--	3/4	1-3/4	23.0
15.75	15.0	15.4	1TB154	Q1	K3	1-1/8	3/8	3/4	1-3/4	20.3	2TB154	Q1	J3	3/4	--	3/4	1-3/4	24.8
16.35	15.6	16.0	1TB160	Q1	K3	1-1/8	3/8	3/4	1-3/4	22.0	2TB160	Q1	J3	3/4	--	3/4	1-3/4	27.0
18.75	18.0	18.4	1TB184	Q1	K3	1-1/8	3/8	3/4	1-3/4	27.5	2TB184	Q1	J3	3/4	--	3/4	1-3/4	32.3
20.35	19.5	20.0	1TB200	Q1	K3	1-1/8	3/8	3/4	1-3/4	27.2	2TB200	Q1	J3	3/4	--	3/4	1-3/4	42.3
25.35	24.5	25.0	1TB250	Q1	K3	1-1/8	3/8	3/4	1-3/4	42.4	2TB250	Q1	J3	3/4	--	3/4	1-3/4	50.3
30.35	29.5	30.0	1TB300	Q1	K3	1-1/8	3/8	3/4	1-3/4	56.0	2TB300	Q1	J3	3/4	--	3/4	1-3/4	68.8

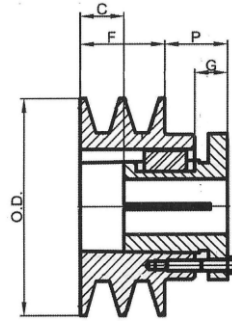
All Dimensions in Inches

Weights are approximate pounds excluding bushing

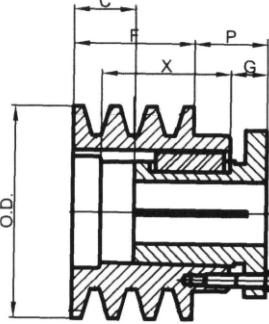


# Split-Barrel Bushed Sheaves - Stock Dimensions

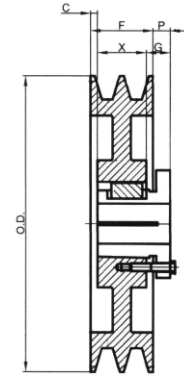
conventional v-belt drives for use with "A" and "B" belts



TYPE A



TYPE G



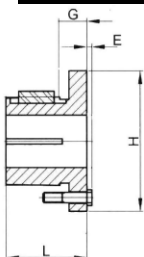
TYPE J

Figure Following Letter in Column Headed "TYPE" in Table Below Indicates Sheave Construction  
 1 - Solid, No Web. 2 - Web. 3 - Arms

O.D.	DATUM DIAMETER		3 GROOVE							4 GROOVE						
	A BELTS	B BELTS	PART NUMBER	BUSH	TYPE	F = 2-1/2			WT. LBS	PART NUMBER	BUSH	TYPE	F = 3-1/4			WT. LBS
						P	C	G					P	C	G	
3.75	3.0	3.4	3TB34	P2	A1	1-1/16	5/8	5/8	3.8	4TB34	P2	A1	1-1/16	1-3/8	5/8	4.5
3.95	3.2	3.6	3TB36	P2	A1	1-1/16	5/8	5/8	4.4	4TB36	P2	A1	1-1/16	1-3/8	5/8	5.3
4.15	3.4	3.8	3TB38	P1	G1	5/8	1-3/16	-	3.8	4TB38	P1	G1	5/8	1-15/16	-	4.8
4.35	3.6	4.0	3TB40	P1	G1	5/8	1-3/16	-	4.5	4TB40	P1	G1	5/8	1-15/16	-	5.5
4.55	3.8	4.2	3TB42	P1	G1	5/8	1-3/16	-	4.9	4TB42	P1	G1	5/8	1-15/16	-	5.9
4.75	4.0	4.4	3TB44	P1	J1	0	9/16	5/8	5.1	4TB44	P1	J2	0	1-5/16	5/8	6.5
4.95	4.2	4.6	3TB46	P1	J2	0	9/16	5/8	6.0	4TB46	P1	J2	0	1-5/16	5/8	7.1
5.15	4.4	4.8	3TB48	P1	J2	0	9/16	5/8	6.3	4TB48	P1	J2	0	1-5/16	5/8	7.5
5.35	4.6	5.0	3TB50	P1	J2	0	9/16	5/8	6.9	4TB50	P1	J2	0	1-5/16	5/8	8.3
5.55	4.8	5.2	3TB52	P1	J2	0	9/16	5/8	7.5	4TB52	P1	J2	0	1-5/16	5/8	9.1
5.75	5.0	5.4	3TB54	P1	J2	0	9/16	5/8	8.3	4TB54	P1	J2	0	1-5/16	5/8	9.6
5.95	5.2	5.6	3TB56	P1	J2	0	9/16	5/8	9.0	4TB56	P1	J2	0	1-5/16	5/8	10.6
6.15	5.4	5.8	3TB58	P1	J2	0	9/16	5/8	9.6	4TB58	P1	J2	0	1-5/16	5/8	11.6
6.35	5.6	6.0	3TB60	P1	J2	0	9/16	5/8	10.5	4TB60	P1	J2	0	1-5/16	5/8	11.9
6.55	5.8	6.2	3TB62	P1	J2	0	9/16	5/8	9.4	4TB62	P1	J2	0	1-5/16	5/8	11.1
6.75	6.0	6.4	3TB64	P1	J2	0	9/16	5/8	9.5	4TB64	P1	J2	0	1-5/16	5/8	11.8
6.95	6.2	6.6	3TB66	P1	J2	0	9/16	5/8	10.0	4TB66	P1	J2	0	1-5/16	5/8	12.0
7.15	6.4	6.8	3TB68	P1	J2	0	9/16	5/8	10.4	4TB68	P1	J2	0	1-5/16	5/8	12.5
7.35	6.6	7.0	3TB70	Q1	J2	3/8	3/8	3/4	13.0	4TB70	Q1	J2	0	3/4	3/4	15.3
7.75	6.8	7.4	3TB74	Q1	J2	3/8	3/8	3/4	13.3	4TB74	Q1	J2	0	3/4	3/4	15.3
8.35	7.6	8.0	3TB80	Q1	J2	3/8	3/8	3/4	15.3	4TB80	Q1	J2	0	3/4	3/4	17.0
8.95	8.2	8.6	3TB86	Q1	J2	3/8	3/8	3/4	18.9	4TB86	Q1	J2	0	3/4	3/4	20.8
9.35	8.6	9.0	3TB90	Q1	J3	3/8	3/8	3/4	18.1	4TB90	Q1	J3	0	3/4	3/4	20.6
9.75	9.0	9.4	3TB94	Q1	J3	3/8	3/8	3/4	18.0	4TB94	Q1	J3	0	3/4	3/4	20.1
11.35	10.6	11.0	3TB110	Q1	J3	3/8	3/8	3/4	21.3	4TB110	Q1	J3	0	3/4	3/4	25.8
12.75	12.0	12.4	3TB124	Q1	J3	3/8	3/8	3/4	25.4	4TB124	Q1	J3	0	3/4	3/4	27.5
13.95	13.2	13.6	3TB136	Q1	J3	3/8	3/8	3/4	27.4	4TB136	Q1	J3	0	3/4	3/4	31.5
15.75	15.0	15.4	3TB154	Q1	J3	3/8	3/8	3/4	29.8	4TB154	Q1	J3	0	3/4	3/4	36.0
16.35	15.6	16.0	3TB160	Q1	J3	3/8	3/8	3/4	32.0	4TB160	Q1	J3	0	3/4	3/4	39.0
18.75	18.0	18.4	3TB184	Q1	J3	3/8	3/8	3/4	37.8	4TB184	Q1	J3	0	3/4	3/4	44.8
20.35	19.5	20.0	3TB200	Q1	J3	3/8	3/8	3/4	49.9	4TB200	Q1	J3	0	3/4	3/4	57.0
25.35	24.5	25.0	3TB250	Q1	J3	3/8	3/8	3/4	61.0	4TB250	Q1	J3	0	3/4	3/4	69.5
30.35	29.5	30.0	3TB300	Q1	J3	3/8	3/8	3/4	78.5							

All Dimensions in Inches

Weights are approximate pounds excluding bushing



SPLIT BARREL BUSHINGS				
PART NUMBER	DIMENSIONS			
	L	G	E	H
P1	1 - 15/16	5/8	1/4	3
P2	2 - 15/16	5/8	1/4	3
Q1	2 - 1/2	3/4	9/32	4 - 1/8

P1 AND P2 ARE TYPE 1 THRU 1-7/16", TYPE 2 FOR 1-1/2" AND LARGER  
 Q1 BUSHINGS ARE TYPE 1 THRU 2" AND ARE TYPE 2 FOR 2-1/8" AND LARGER



TYPE 1



TYPE 2

SPLIT BARREL BUSHINGS												
PART NUMBER	STOCK BORES											
	1/2	5/8	3/4	7/8	1	1-1/8	1-3/16	1-1/4	1-3/8	1-7/16	1-1/2	1-5/8
P1	X	X	X	X	X	X	X	X	X	X	X	X
P2			X	X	X	X	X	X	X	X	X	X
Q1			X	X	X	X	X	X	X	X	X	X
PART NUMBER	STOCK BORES											
	1-11/16	1-3/4	1-7/8	2	2-1/8	2-3/16	2-1/4	2-3/8	2-7/16	2-1/2	2-5/8	2-11/16
P1	X	X										
Q1	X	X	X	X	X	X	X	X	X	X	X	X



# A-B stock sheave dimensions conventional v-belt drives

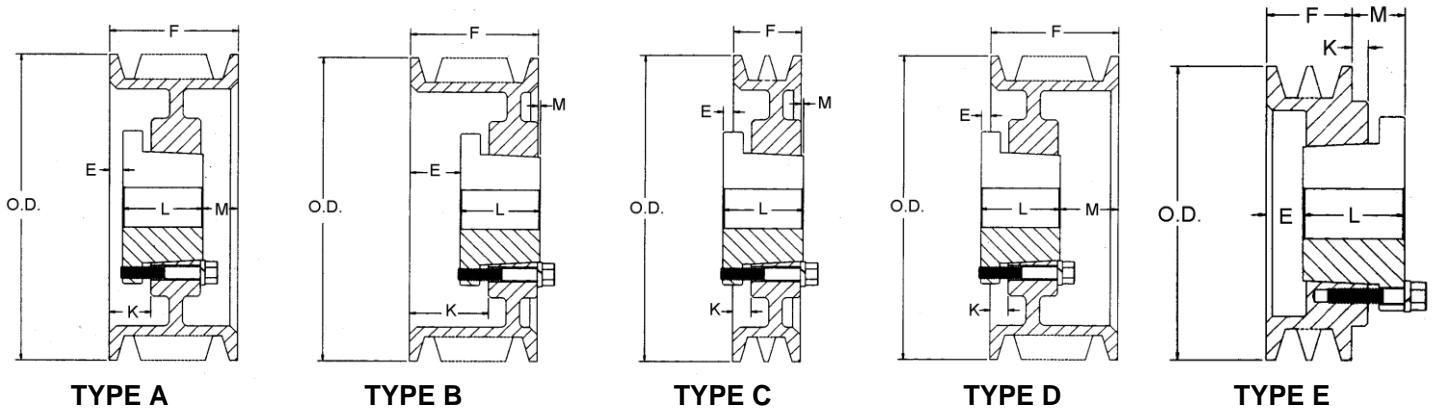


Figure Following Letter in Column Headed "TYPE" in Table Below Indicates Sheave Construction  
1 - Solid, No Web. 2 - Web. 3 - Arms

O.D.	DATUM DIAMETER		1 GROOVE									2 GROOVE						
	A BELTS	B BELTS	PART NUMBER	F = 7/8 & 1								PART NUMBER	F = 1-3/4					
				E*	TYPE	BUSH.	K	L	M*	WT. LBS	E*		TYPE	BUSH.	K	L	M*	WT.
3.75	3.0	3.4	1B3.4	7/16	D1	SH	1/16	1-1/4	1/16	2	2B3.4	1	E1	SH	0	1-1/4	1/2	3
3.95	3.2	3.6	1B3.6	7/16	D1	SH	1/16	1-1/4	1/16	2	2B3.6	5/16	D1	SH	3/16	1-1/4	13/16	4
4.15	3.4	3.8	1B3.8	7/16	D1	SH	1/16	1-1/4	1/16	3	2B3.8	5/16	D1	SH	3/16	1-1/4	13/16	4
4.35	3.6	4.0	1B4.0	3/16	C1	SH	5/16	1-1/4	3/16	3	2B4.0	3/16	A1	SH	11/16	1-1/4	5/16	5
4.55	3.8	4.2	1B4.2	3/16	C1	SH	5/16	1-1/4	3/16	3	2B4.2	3/16	A1	SH	11/16	1-1/4	5/16	5
4.75	4.0	4.4	1B4.4	3/16	C1	SH	5/16	1-1/4	3/16	3	2B4.4	3/16	A1	SH	11/16	1-1/4	5/16	5
4.95	4.2	4.6	1B4.6	1/4	C1	SDS	5/16	1-5/16	3/16	3	2B4.6	1/8	A1	SDS	11/16	1-5/16	5/16	5
5.15	4.4	4.8	1B4.8	1/4	C1	SDS	5/16	1-5/16	3/16	4	2B4.8	1/8	A1	SDS	11/16	1-5/16	5/16	6
5.35	4.6	5.0	1B5.0	1/4	C1	SDS	5/16	1-5/16	3/16	4	2B5.0	1/8	A1	SDS	11/16	1-5/16	5/16	6
5.55	4.8	5.2	1B5.2	1/4	C1	SDS	5/16	1-5/16	3/16	4	2B5.2	1/8	A1	SDS	11/16	1-5/16	5/16	7
5.75	5.0	5.4	1B5.4	1/4	C2	SDS	5/16	1-5/16	3/16	4	2B5.4	1/8	A1	SDS	11/16	1-5/16	5/16	7
5.95	5.2	5.6	1B5.6	1/4	C2	SDS	5/16	1-5/16	3/16	4	2B5.6	1/8	A1	SDS	11/16	1-5/16	5/16	8
6.15	5.4	5.8	1B5.8	1/4	C2	SDS	5/16	1-5/16	3/16	5	2B5.8	1/8	A1	SDS	11/16	1-5/16	5/16	8
6.35	5.6	6.0	1B6.0	1/4	C2	SDS	5/16	1-5/16	3/16	5	2B6.0	1/8	A2	SDS	11/16	1-5/16	5/16	8
6.55	5.8	6.2	1B6.2	1/4	C2	SDS	5/16	1-5/16	3/16	5	2B6.2	1/8	A2	SDS	11/16	1-5/16	5/16	8
6.75	6.0	6.4	1B6.4	1/4	C2	SDS	5/16	1-5/16	3/16	5	2B6.4	1/8	A2	SDS	11/16	1-5/16	5/16	8
6.95	6.2	6.6	1B6.6	1/4	C2	SDS	5/16	1-5/16	3/16	5	2B6.6	1/8	A2	SDS	11/16	1-5/16	5/16	8
7.15	6.4	6.8	1B6.8	1/4	C2	SDS	5/16	1-5/16	3/16	5	2B6.8	1/8	A2	SDS	11/16	1-5/16	5/16	9
7.35	6.6	7.0	1B7.0	7/16	D3	SDS	1/8	1-5/16	1/8	5	2B7.0	3/16	D2	SK	7/16	1-7/8	1/16	11
7.75	6.8	7.4	1B7.4	7/16	D3	SDS	1/8	1-5/16	1/8	5	2B7.4	3/16	D2	SK	7/16	1-7/8	1/16	12
8.35	7.6	8.0	1B8.0	7/16	D3	SDS	1/8	1-5/16	1/8	5	2B8.0	3/16	D2	SK	7/16	1-7/8	1/16	12
8.95	8.2	8.6	1B8.6	7/16	D3	SDS	1/8	1-5/16	1/8	5	2B8.6	3/16	D3	SK	7/16	1-7/8	1/16	12
9.75	9.0	9.4	1B9.4	7/16	D3	SDS	1/8	1-5/16	1/8	6	2B9.4	3/16	D3	SK	7/16	1-7/8	1/16	13
11.35	10.6	11.0	1B11.0	7/16	D3	SDS	1/8	1-5/16	1/8	9	2B11.0	3/16	D3	SK	7/16	1-7/8	1/16	15
12.75	12.0	12.4	1B12.4	7/16	D3	SDS	1/8	1-5/16	1/8	9	2B12.4	3/16	D3	SK	7/16	1-7/8	1/16	17
13.95	13.2	13.6	1B13.6	7/16	D3	SDS	1/8	1-5/16	1/8	11	2B13.6	3/16	D3	SK	7/16	1-7/8	1/16	20
15.75	15.0	15.4	1B15.4	1/2	C3	SK	1/8	1-7/8	3/8	13	2B15.4	3/16	D3	SK	7/16	1-7/8	1/16	22
16.35	15.6	16.0	1B16.0	1/2	C3	SK	1/8	1-7/8	3/8	16	2B16.0	3/16	D3	SK	7/16	1-7/8	1/16	25
18.75	18.0	18.4	1B18.4	1/2	C3	SK	1/8	1-7/8	3/8	19	2B18.4	3/16	D3	SK	7/16	1-7/8	1/16	29
20.35	19.6	20.0	1B20.0	1/2	C3	SK	1/8	1-7/8	3/8	25	2B20.0	1/4	C3	SF	1/8	2	0	35
25.35	24.6	25.0									2B25.0	1/4	C3	SF	1/8	2	0	55
30.35	29.6	30.0									2B30.0	1/4	C3	SF	1/8	2	0	75
38.35	37.6	38.0									2B38.0	1/4	C3	SF	1/8	2	0	95

\*E & M Dimension varies according to shaft tolerance

All Dimensions in Inches

Weights are approximate pounds including bushing



# A-B stock sheave dimensions conventional v-belt drives

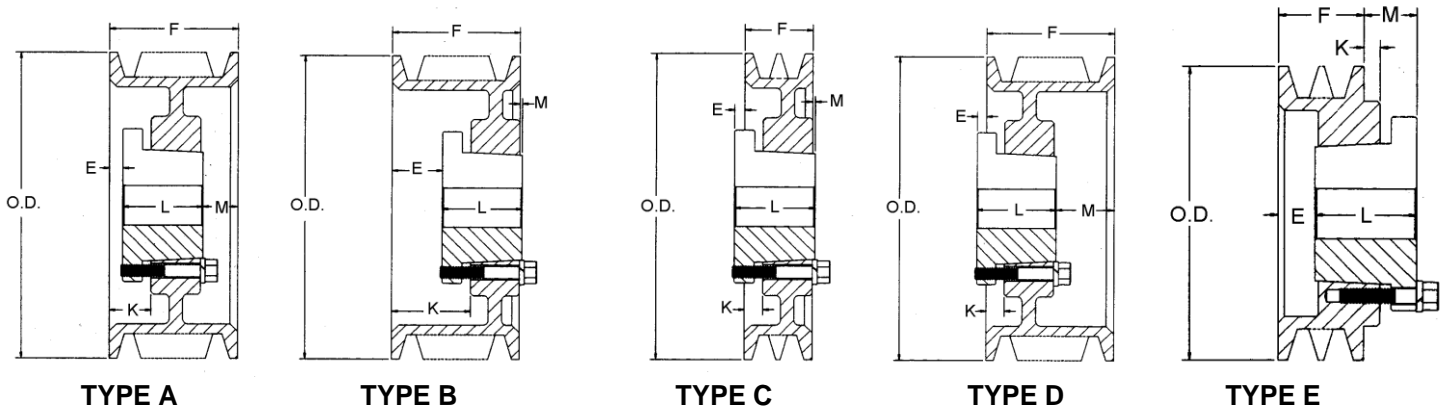


Figure Following Letter in Column Headed "TYPE" in Table Below Indicates Sheave Construction  
1 - Solid, No Web. 2 - Web. 3 - Arms

O.D.	DATUM DIAMETER		3 GROOVE								4 GROOVE							
	A BELTS	B BELTS	PART NUMBER	F = 2-1/2						WT. LBS	PART NUMBER	F = 3-1/4						
				E*	TYPE	BUSH.	K	L	M*			E*	TYPE	BUSH.	K	L	M*	WT.
3.75	3.0	3.4	3B3.4	1-3/4	E1	SH	0	1-1/4	1/2	4	4B3.4	2-5/16	E1	SD	5/16	1-13/16	7/8	6
3.95	3.2	3.6	3B3.6	5/16	D1	SH	3/16	1-1/4	1-9/16	5	4B3.6	2-5/16	E1	SD	5/16	1-13/16	7/8	7
4.15	3.4	3.8	3B3.8	5/16	D1	SH	3/16	1-1/4	1-9/16	5	4B3.8	2-5/16	E1	SD	5/16	1-13/16	7/8	7
4.35	3.6	4.0	3B4.0	9/16	A1	SH	1-1/16	1-1/4	11/16	6	4B4.0	2	E1	SD	0	1-13/16	9/16	8
4.55	3.8	4.2	3B4.2	9/16	A1	SH	1-1/16	1-1/4	11/16	6	4B4.2	2	E1	SD	0	1-13/16	9/16	8
4.75	4.0	4.4	3B4.4	9/16	A1	SH	1-1/16	1-1/4	11/16	6	4B4.4	2	E1	SD	0	1-13/16	9/16	8
4.95	4.2	4.6	3B4.6	1/2	A1	SD	1-1/16	1-13/16	3/16	6	4B4.6	3/4	A1	SD	1-5/16	1-13/16	11/16	8
5.15	4.4	4.8	3B4.8	1/2	A1	SD	1-1/16	1-13/16	3/16	7	4B4.8	3/4	A1	SD	1-5/16	1-13/16	11/16	8
5.35	4.6	5.0	3B5.0	1/2	A1	SD	1-1/16	1-13/16	3/16	8	4B5.0	3/4	A1	SD	1-5/16	1-13/16	11/16	9
5.55	4.8	5.2	3B5.2	1/2	A1	SD	1-1/16	1-13/16	3/16	8	4B5.2	3/4	A1	SD	1-5/16	1-13/16	11/16	9
5.75	5.0	5.4	3B5.4	1/2	A1	SD	1-1/16	1-13/16	3/16	9	4B5.4	3/4	A1	SD	1-5/16	1-13/16	11/16	10
5.95	5.2	5.6	3B5.6	1/2	A1	SD	1-1/16	1-13/16	3/16	9	4B5.6	3/4	A1	SD	1-5/16	1-13/16	11/16	11
6.15	5.4	5.8	3B5.8	1/2	A1	SD	1-1/16	1-13/16	3/16	10	4B5.8	3/4	A1	SD	1-5/16	1-13/16	11/16	11
6.35	5.6	6.0	3B6.0	1/2	A2	SD	1-1/16	1-13/16	3/16	10	4B6.0	3/4	A2	SD	1-5/16	1-13/16	11/16	12
6.55	5.8	6.2	3B6.2	1/2	A2	SD	1-1/16	1-13/16	3/16	10	4B6.2	3/4	A2	SD	1-5/16	1-13/16	11/16	12
6.75	6.0	6.4	3B6.4	1/2	A2	SD	1-1/16	1-13/16	3/16	11	4B6.4	3/4	A2	SD	1-5/16	1-13/16	11/16	12
6.95	6.2	6.6	3B6.6	1/2	A2	SD	1-1/16	1-13/16	3/16	11	4B6.6	3/4	A2	SD	1-5/16	1-13/16	11/16	13
7.15	6.4	6.8	3B6.8	1/2	A2	SD	1-1/16	1-13/16	3/16	12	4B6.8	3/4	A2	SD	1-5/16	1-13/16	11/16	13
7.35	6.6	7.0	3B7.0	1/16	A2	SK	11/16	1-7/8	9/16	13	4B7.0	3/8	A2	SK	1	1-7/8	1	15
7.75	6.8	7.4	3B7.4	1/16	A2	SK	11/16	1-7/8	9/16	14	4B7.4	3/8	A2	SK	1	1-7/8	1	17
8.35	7.6	8.0	3B8.0	1/16	A2	SK	11/16	1-7/8	9/16	14	4B8.0	3/8	A2	SK	1	1-7/8	1	17
8.95	8.2	8.6	3B8.6	1/16	A3	SK	11/16	1-7/8	9/16	15	4B8.6	3/8	A3	SK	1	1-7/8	1	17
9.75	9.0	9.4	3B9.4	1/16	A3	SK	11/16	1-7/8	9/16	16	4B9.4	3/8	A3	SK	1	1-7/8	1	18
11.35	10.6	11.0	3B11.0	1/16	A3	SK	11/16	1-7/8	9/16	20	4B11.0	3/8	A3	SK	1	1-7/8	1	21
12.75	12.0	12.4	3B12.4	1/16	A3	SK	11/16	1-7/8	9/16	20	4B12.4	3/8	A3	SK	1	1-7/8	1	25
13.95	13.2	13.6	3B13.6	1/16	A3	SK	11/16	1-7/8	9/16	24	4B13.6	3/8	A3	SK	1	1-7/8	1	27
15.75	15.0	15.4	3B15.4	1/16	A3	SK	11/16	1-7/8	9/16	29	4B15.4	3/8	A3	SF	1	2	7/8	42
16.35	15.6	16.0	3B16.0	1/16	A3	SK	11/16	1-7/8	9/16	32	4B16.0	3/8	A3	SF	1	2	7/8	41
18.75	18.0	18.4	3B18.4	1/16	A3	SK	11/16	1-7/8	9/16	35	4B18.4	3/8	A3	SF	1	2	7/8	41
20.35	19.6	20.0	3B20.0	0	A3	SF	5/8	2	1/2	44	4B20.0	3/8	A3	SF	1	2	7/8	55
25.35	24.6	25.0	3B25.0	0	A3	SF	5/8	2	1/2	67	4B25.0	1/8	A3	E	1	2-5/8	1/2	90
30.35	29.6	30.0	3B30.0	0	A3	SF	5/8	2	1/2	81	4B30.0	1/8	A3	E	1	2-5/8	1/2	104
38.35	37.6	38.0	3B38.0	1/4	D3	E	5/8	2-5/8	1/2	122	4B38.0	1/8	A3	E	1	2-5/8	1/2	145

\*E & M Dimension varies according to shaft tolerance

All Dimensions in Inches

Weights are approximate pounds including bushing





# A-B stock sheave dimensions conventional v-belt drives

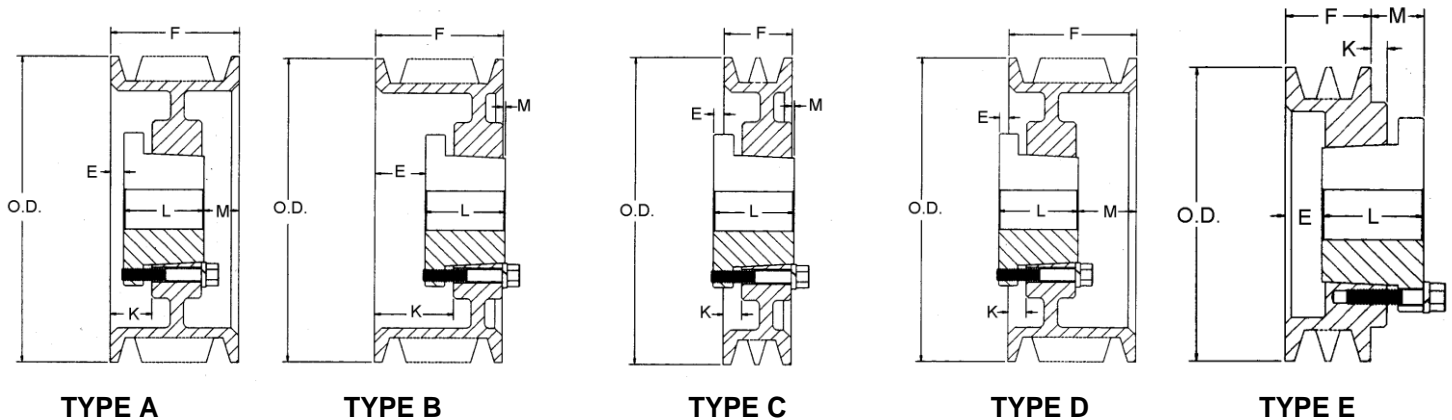


Figure Following Letter in Column Headed "TYPE" in Table Below Indicates Sheave Construction  
1 - Solid, No Web. 2 - Web. 3 - Arms

O.D.	DATUM DIAMETER		5 GROOVE								6 GROOVE							
	A BELTS	B BELTS	PART NUMBER	F = 4					WT. LBS	F = 4-3/4								
				E*	TYPE	BUSH.	K	L		M*	PART NUMBER	E*	TYPE	BUSH.	K	L	M*	WT. LBS
3.75	3.0	3.4	5B3.4	3-1/16	E1	SD	5/16	1-13/16	7/8	6	6B3.4	1-13/16	E1	SD	5/16	1-13/16	7/8	6
3.95	3.2	3.6	5B3.6	3-1/16	E1	SD	5/16	1-13/16	7/8	7	6B3.6	1-13/16	E1	SD	5/16	1-13/16	7/8	7
4.15	3.4	3.8	5B3.8	3-1/16	E1	SD	5/16	1-13/16	7/8	8	6B3.8	1-13/16	E1	SD	5/16	1-13/16	7/8	7
4.35	3.6	4.0	5B4.0	2-3/4	E1	SD	0	1-13/16	9/16	8	6B4.0	3-1/2	E1	SD	0	1-13/16	9/16	8
4.55	3.8	4.2	5B4.2	2-3/4	E1	SD	0	1-13/16	9/16	9	6B4.2	3-1/2	E1	SD	0	1-13/16	9/16	9
4.75	4.0	4.4	5B4.4	2-3/4	E1	SD	0	1-13/16	9/16	9	6B4.4	3-1/2	E1	SD	0	1-13/16	9/16	10
4.95	4.2	4.6	5B4.6	3/4	A1	SD	1-5/16	1-13/16	1-7/16	9	6B4.6	3/4	A1	SD	1-5/16	1-13/16	2-3/16	10
5.15	4.4	4.8	5B4.8	3/4	A1	SD	1-5/16	1-13/16	1-7/16	9	6B4.8	3/4	A1	SD	1-5/16	1-13/16	2-3/16	11
5.35	4.6	5.0	5B5.0	3/4	A1	SD	1-5/16	1-13/16	1-7/16	10	6B5.0	3/4	A1	SD	1-5/16	1-13/16	2-3/16	12
5.55	4.8	5.2	5B5.2	3/4	A1	SD	1-5/16	1-13/16	1-7/16	11	6B5.2	3/4	A1	SD	1-5/16	1-13/16	2-3/16	13
5.75	5.0	5.4	5B5.4	11/16	A1	SK	1-5/16	1-7/8	1-7/16	13	6B5.4	11/16	A1	SK	1-5/16	1-7/8	2-3/16	15
5.95	5.2	5.6	5B5.6	11/16	A1	SK	1-5/16	1-7/8	1-7/16	14	6B5.6	11/16	A1	SK	1-5/16	1-7/8	2-3/16	16
6.15	5.4	5.8	5B5.8	11/16	A1	SK	1-5/16	1-7/8	1-7/16	15	6B5.8	11/16	A1	SK	1-5/16	1-7/8	2-3/16	16
6.35	5.6	6.0	5B6.0	11/16	A1	SK	1-5/16	1-7/8	1-7/16	12	6B6.0	11/16	A1	SK	1-5/16	1-7/8	2-3/16	13
6.55	5.8	6.2	5B6.2	11/16	A1	SK	1-5/16	1-7/8	1-7/16	13	6B6.2	11/16	A1	SK	1-5/16	1-7/8	2-3/16	15
6.75	6.0	6.4	5B6.4	11/16	A1	SK	1-5/16	1-7/8	1-7/16	14	6B6.4	11/16	A1	SK	1-5/16	1-7/8	2-3/16	16
6.95	6.2	6.6	5B6.6	11/16	A1	SK	1-5/16	1-7/8	1-7/16	14	6B6.6	11/16	A1	SK	1-5/16	1-7/8	2-3/16	16
7.15	6.4	6.8	5B6.8	11/16	A1	SK	1-5/16	1-7/8	1-7/16	16	6B6.8	11/16	A1	SK	1-5/16	1-7/8	2-3/16	17
7.35	6.6	7.0	5B7.0	11/16	A1	SF	1-5/16	2	1-5/16	18	6B7.0	1-1/16	A1	SF	1-11/16	2	1-11/16	19
7.75	6.8	7.4	5B7.4	11/16	A1	SF	1-5/16	2	1-5/16	19	6B7.4	1-1/16	A1	SF	1-11/16	2	1-11/16	20
8.35	7.6	8.0	5B8.0	11/16	A2	SF	1-5/16	2	1-5/16	19	6B8.0	1-1/16	A2	SF	1-11/16	2	1-11/16	20
8.95	8.2	8.6	5B8.6	11/16	A3	SF	1-5/16	2	1-5/16	20	6B8.6	1-1/16	A3	SF	1-11/16	2	1-11/16	22
9.75	9.0	9.4	5B9.4	11/16	A3	SF	1-5/16	2	1-5/16	23	6B9.4	1-1/16	A3	SF	1-11/16	2	1-11/16	25
11.35	10.6	11.0	5B11.0	11/16	A3	SF	1-5/16	2	1-5/16	25	6B11.0	1-1/16	A3	SF	1-11/16	2	1-11/16	29
12.75	12.0	12.4	5B12.4	11/16	A3	SF	1-5/16	2	1-5/16	29	6B12.4	1-1/16	A3	SF	1-11/16	2	1-11/16	33
13.95	13.2	13.6	5B13.6	11/16	A3	SF	1-5/16	2	1-5/16	35	6B13.6	1-1/16	A3	SF	1-11/16	2	1-11/16	39
15.75	15.0	15.4	5B15.4	11/16	A3	SF	1-5/16	2	1-5/16	44	6B15.4	1-1/16	A3	SF	1-11/16	2	1-11/16	45
16.35	15.6	16.0	5B16.0	11/16	A3	SF	1-5/16	2	1-5/16	45	6B16.0	1-1/16	A3	SF	1-11/16	2	1-11/16	53
18.75	18.0	18.4	5B18.4	11/16	A3	SF	1-5/16	2	1-5/16	47	6B18.4	1-1/16	A3	SF	1-11/16	2	1-11/16	61
20.35	19.6	20.0	5B20.0	3/8	A3	E	1-1/4	2-5/8	1	68	6B20.0	1/2	A3	E	1-3/8	2	1-5/8	78
25.35	24.6	25.0	5B25.0	3/8	A3	E	1-1/4	2-5/8	1	98	6B25.0	1/2	A3	E	1-3/8	2	1-5/8	101
30.35	29.6	30.0	5B30.0	3/8	A3	E	1-1/4	2-5/8	1	123	6B30.0	1/2	A3	E	1-3/8	2	1-5/8	131
38.35	37.6	38.0	5B38.0	3/8	A3	E	1-1/4	2-5/8	1	163	6B38.0	1/2	A3	E	1-3/8	2-5/8	1-5/8	177

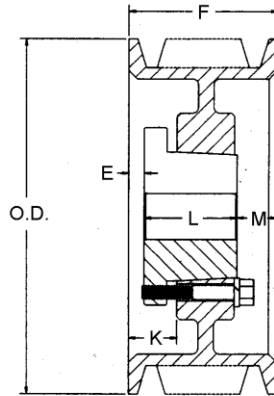
\*E & M Dimension varies according to shaft tolerance

All Dimensions in Inches

Weights are approximate pounds including bushing



# A-B stock sheave dimensions conventional v-belt drives



**TYPE A**

Figure Following Letter in Column Headed "TYPE" in Table Below Indicates Sheave Construction  
1 - Solid, No Web. 2 - Web. 3 - Arms

O.D.	DATUM		8 GROOVE								10 GROOVE							
	DIAMETER		PART NUMBER	F = 6-1/4							PART NUMBER	F = 7-3/4						
	A BELTS	B BELTS		E*	TYPE	BUSH.	K	L	M*	WT. LBS		E*	TYPE	BUSH.	K	L	M*	WT. LBS
5.75	5.0	5.4	8B5.4	1-3/32	A1	SK	1-13/16	1-7/8	3-9/32	16	10B5.4	1-27/32	A1	SK	2-9/16	1-7/8	4-1/32	19
5.95	5.2	5.6	8B5.6	1-3/32	A1	SK	1-13/16	1-7/8	3-9/32	21	10B5.6	1-27/32	A1	SK	2-9/16	1-7/8	4-1/32	21
6.15	5.4	5.8	8B5.8	1-3/32	A1	SK	1-13/16	1-7/8	3-9/32	19	10B5.8	1-27/32	A1	SK	2-9/16	1-7/8	4-1/32	22
6.35	5.6	6.0	8B6.0	1-1/8	A1	SF	1-13/16	2	3-1/8	20	10B6.0	1-7/8	A1	SF	2-9/16	2	3-7/8	23
6.55	5.8	6.2	8B6.2	1-3/16	A1	SF	1-13/16	2	3-1/8	22	10B6.2	1-7/8	A1	SF	2-9/16	2	3-7/8	25
6.75	6.0	6.4	8B6.4	1-3/16	A1	SF	1-13/16	2	3-1/8	22	10B6.4	1-7/8	A1	SF	2-9/16	2	3-7/8	26
6.95	6.2	6.6	8B6.6	1-3/16	A1	SF	1-13/16	2	3-1/8	23	10B6.6	1-7/8	A1	SF	2-9/16	2	3-7/8	27
7.15	6.4	6.8	8B6.8	1-3/16	A1	SF	1-13/16	2	3-1/8	24	10B6.8	1-7/8	A1	SF	2-9/16	2	3-7/8	28
7.35	6.6	7.0	8B7.0	1-3/16	A2	SF	1-13/16	2	3-1/8	26	10B7.0	1-7/8	A2	SF	2-9/16	2	3-7/8	30
7.75	6.8	7.4	8B7.4	1-3/16	A2	SF	1-13/16	2	3-1/8	28	10B7.4	1-7/8	A2	SF	2-9/16	2	3-7/8	32
8.95	8.2	8.6	8B8.6	1-15/32	A1	E	2-3/8	2-5/8	2-5/32	41	10B8.6	2-7/32	A1	E	3-1/8	2-5/8	2-29/32	46
9.75	9.0	9.4	8B9.4	1-15/32	A2	E	2-3/8	2-5/8	2-5/32	42	10B9.4	2-7/32	A2	E	3-1/8	2-5/8	2-29/32	47
11.35	10.6	11.0	8B11.0	1-15/32	A2	E	2-3/8	2-5/8	2-5/32	52	10B11.0	2-7/32	A2	E	3-1/8	2-5/8	2-29/32	59
12.75	12.0	12.4	8B12.4	1-15/32	A2	E	2-3/8	2-5/8	2-5/32	60	10B12.4	2-7/32	A2	E	3-1/8	2-5/8	2-29/32	67
13.95	13.2	13.6	8B13.6	1-15/32	A3	E	2-3/8	2-5/8	2-5/32	60	10B13.6	1	A3	F	2-1/16	3-5/8	3-1/8	84
15.75	15.0	15.4	8B15.4	1-15/32	A3	E	2-3/8	2-5/8	2-5/32	71	10B15.4	1	A3	F	2-1/16	3-5/8	3-1/8	96
16.35	15.6	16.0	8B16.0	1-15/32	A3	E	2-3/8	2-5/8	2-5/32	74	10B16.0	1	A3	F	2-1/16	3-5/8	3-1/8	100
18.75	18.0	18.4	8B18.4	1/4	A3	F	1-5/16	3-5/8	2-3/8	112	10B18.4	1	A3	F	2-1/16	3-5/8	3-1/8	126
20.35	19.6	20.0	8B20.0	1/4	A3	F	1-5/16	3-5/8	2-3/8	113	10B20.0	1	A3	F	2-1/16	3-5/8	3-1/8	127
25.35	24.6	25.0	8B25.0	1/4	A3	F	1-5/16	3-5/8	2-3/8	146	10B25.0	1	A3	F	2-1/16	3-5/8	3-1/8	165
30.35	29.6	30.0	8B30.0	1/4	A3	F	1-5/16	3-5/8	2-3/8	183	10B30.0	1	A3	F	2-1/16	3-5/8	3-1/8	220
38.35	37.6	38.0	8B38.0	1/4	A3	F	1-5/16	3-5/8	2-3/8	247	10B38.0	5/16	A3	J	1-9/16	4-1/2	2-15/16	306

\*E & M Dimension varies according to shaft tolerance

All Dimensions in Inches

Weights are approximate pounds including bushing



# C stock sheave dimensions conventional v-belt drives

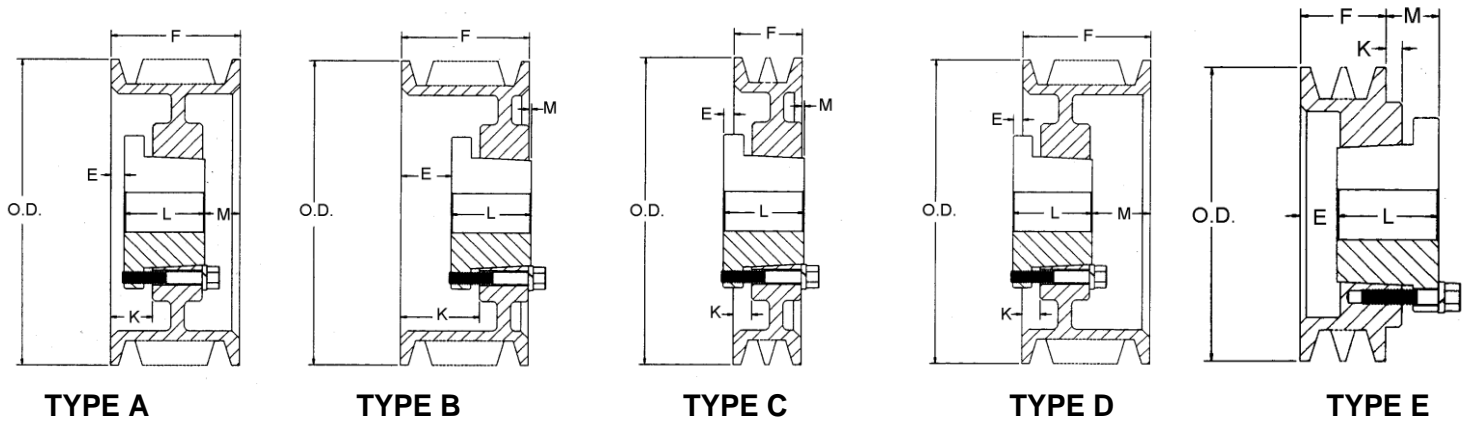


Figure Following Letter in Column Headed "TYPE" in Table Below Indicates Sheave Construction  
1 - Solid, No Web. 2 - Web. 3 - Arms

O.D.	DATUM DIAMETER	1 GROOVE								2 GROOVE							
		PART NUMBER	F = 1-3/8							PART NUMBER	F = 2-3/8						
			E*	TYPE	BUSH.	K	L	M*	WT. LBS		E*	TYPE	BUSH.	K	L	M*	WT. LBS
6.0	5.6									2C5.6	3/16	A1	SD	13/16	1-13/16	3/8	10
7.4	7.0	1C7.0	9/16	C1	SF	1/8	2	1/16	13	2C7.0	1/8	A1	SF	13/16	2	1/4	15
7.9	7.5	1C7.5	9/16	C1	SF	1/8	2	1/16	14	2C7.5	1/8	A1	SF	13/16	2	1/4	17
8.4	8.0	1C8.0	9/16	C2	SF	1/8	2	1/16	17	2C8.0	1/8	A2	SF	13/16	2	1/4	19
8.9	8.5	1C8.5	9/16	C2	SF	1/8	2	1/16	16	2C8.5	1/8	A2	SF	13/16	2	1/4	22
9.4	9.0	1C9.0	9/16	C2	SF	1/8	2	1/16	17	2C9.0	1/8	A2	SF	13/16	2	1/4	21
9.9	9.5	1C9.5	9/16	C2	SF	1/8	2	1/16	18	2C9.5	1/8	A2	SF	13/16	2	1/4	23
10.4	10.0	1C10.0	9/16	C2	SF	1/8	2	1/16	19	2C10.0	1/8	A2	SF	13/16	2	1/4	24
10.9	10.5	1C10.5	9/16	C2	SF	1/8	2	1/16	20	2C10.5	1/8	A2	SF	13/16	2	1/4	26
11.4	11.0	1C11.0	9/16	C3	SF	1/8	2	1/16	18	2C11.0	1/8	A3	SF	13/16	2	1/4	23
12.4	12.0	1C12.0	9/16	C3	SF	1/8	2	1/16	20	2C12.0	1/8	D3	SF	9/16	2	1/2	25
13.4	13.0	1C13.0	9/16	C3	SF	1/8	2	1/16	22	2C13.0	1/8	D3	SF	9/16	2	1/2	27
14.4	14.0	1C14.0	9/16	C3	SF	1/8	2	1/16	23	2C14.0	1/8	D3	SF	9/16	2	1/2	29
16.4	16.0	1C16.0	9/16	C3	SF	1/8	2	1/16	27	2C16.0	1/8	D3	SF	9/16	2	1/2	35
18.4	18.0	1C18.0	9/16	C3	SF	1/8	2	1/16	31	2C18.0	1/8	D3	SF	9/16	2	1/2	45
20.4	20.0	1C20.0	9/16	C3	SF	1/8	2	1/16	35	2C20.0	1/8	D3	SF	9/16	2	1/2	45
24.4	24.0	1C24.0	9/16	C3	SF	1/8	2	1/16	44	2C24.0	1/8	D3	SF	9/16	2	1/2	61
27.4	27.0									2C27.0	3/4	C3	F	5/16	3-5/8	1/2	90
30.4	30.0									2C30.0	3/4	C3	F	5/16	3-5/8	1/2	107
36.4	36.0																
44.4	44.0																
50.0	50.0																

\*E & M Dimension varies according to shaft tolerance

All Dimensions in Inches

Weights are approximate pounds including bushing



# C stock sheave dimensions conventional v-belt drives

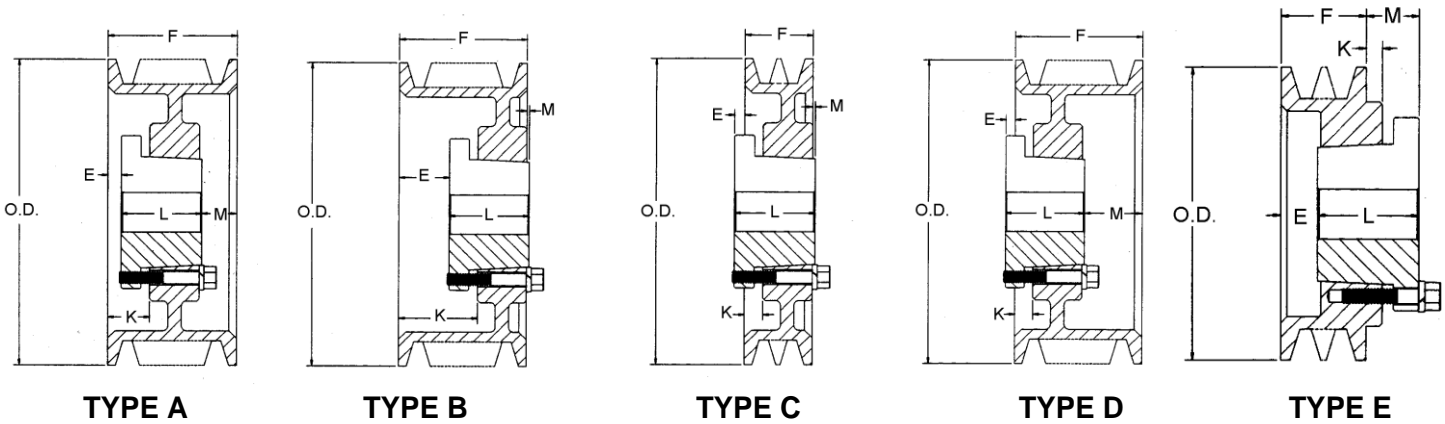


Figure Following Letter in Column Headed "TYPE" in Table Below Indicates Sheave Construction  
1 - Solid, No Web. 2 - Web. 3 - Arms

O.D.	DATUM DIAMETER	3 GROOVE								4 GROOVE							
		PART NUMBER	F = 3-3/8						WT. LBS	PART NUMBER	F = 4-3/8						WT. LBS
			E*	TYPE	BUSH.	K	L	M*			E*	TYPE	BUSH.	K	L	M*	
5.4	5.0	3C5.0	1/2	A1	SD	1-1/16	1-13/16	1-1/16	10	4C5.0	1	A1	SD	1-9/16	1-13/16	1-9/16	11
6.0	5.6	3C5.6	3/4	A1	SD	1-5/16	1-13/16	13/16	12	4C5.6	1	A1	SD	1-9/16	1-13/16	1-9/16	14
6.4	6.0	3C6.0	11/16	A1	SF	1-5/16	2	11/16	12	4C6.0	15/16	A1	SF	1-9/16	2	1-7/16	14
7.4	7.0	3C7.0	11/16	A1	SF	1-5/16	2	11/16	18	4C7.0	15/16	A1	SF	1-9/16	2	1-7/16	20
7.9	7.5	3C7.5	11/16	A1	SF	1-5/16	2	11/16	21	4C7.5	15/16	A1	SF	1-9/16	2	1-7/16	24
8.4	8.0	3C8.0	7/8	B1	E	1-3/4	2-5/8	1/8	28	4C8.0	1-1/8	A1	E	2	2-5/8	5/8	31
8.9	8.5	3C8.5	7/8	B1	E	1-3/4	2-5/8	1/8	31	4C8.5	1-1/8	A1	E	2	2-5/8	5/8	34
9.4	9.0	3C9.0	7/8	B1	E	1-3/4	2-5/8	1/8	34	4C9.0	1-1/8	A1	E	2	2-5/8	5/8	38
9.9	9.5	3C9.5	7/8	B2	E	1-3/4	2-5/8	1/8	38	4C9.5	1-1/8	A2	E	2	2-5/8	5/8	42
10.4	10.0	3C10.0	7/8	B2	E	1-3/4	2-5/8	1/8	41	4C10.0	1-1/8	A2	E	2	2-5/8	5/8	45
10.9	10.5	3C10.5	7/8	B2	E	1-3/4	2-5/8	1/8	38	4C10.5	1-1/8	A2	E	2	2-5/8	5/8	43
11.4	11.0	3C11.0	7/8	B2	E	1-3/4	2-5/8	1/8	41	4C11.0	1-1/8	A2	E	2	2-5/8	5/8	45
12.4	12.0	3C12.0	7/8	B2	E	1-3/4	2-5/8	1/8	45	4C12.0	1-1/8	A2	E	2	2-5/8	5/8	51
13.4	13.0	3C13.0	7/8	B3	E	1-3/4	2-5/8	1/8	49	4C13.0	1-1/8	A3	E	2	2-5/8	5/8	56
14.4	14.0	3C14.0	7/8	B3	E	1-3/4	2-5/8	1/8	49	4C14.0	1-1/8	A3	E	2	2-5/8	5/8	58
16.4	16.0	3C16.0	7/8	B3	E	1-3/4	2-5/8	1/8	58	4C16.0	1-1/8	A3	E	2	2-5/8	5/8	67
18.4	18.0	3C18.0	7/8	B3	E	1-3/4	2-5/8	1/8	73	4C18.0	1-1/8	A3	E	2	2-5/8	5/8	83
20.4	20.0	3C20.0	1/8	A3	E	1	2-5/8	5/8	76	4C20.0	5/8	A3	E	1-1/2	2-5/8	1-1/8	91
24.4	24.0	3C24.0	1/8	A3	E	1	2-5/8	5/8	86	4C24.0	5/16	A3	F	1-5/16	3-5/8	7/16	111
27.4	27.0	3C27.0	3/16	C3	F	13/16	3-5/8	1/16	121	4C27.0	5/16	A3	F	1-5/16	3-5/8	7/16	138
30.4	30.0	3C30.0	3/16	C3	F	13/16	3-5/8	1/16	129	4C30.0	5/16	A3	F	1-5/16	3-5/8	7/16	150
36.4	36.0	3C36.0	3/16	C3	F	13/16	3-5/8	1/16	177	4C36.0	5/16	A3	F	1-5/16	3-5/8	7/16	211
44.4	44.0	3C44.0	3/16	C3	F	13/16	3-5/8	1/16	260	4C44.0	3/8	B3	J	1-9/16	4-1/2	1/2	297
50.0	50.0	3C50.0	3/16	C3	F	13/16	3-5/8	1/16	319	4C50.0	3/8	B3	J	1-9/16	4-1/2	1/2	361

\*E & M Dimension varies according to shaft tolerance  
Weights are approximate pounds including bushing

All Dimensions in Inches



# C stock sheave dimensions conventional v-belt drives

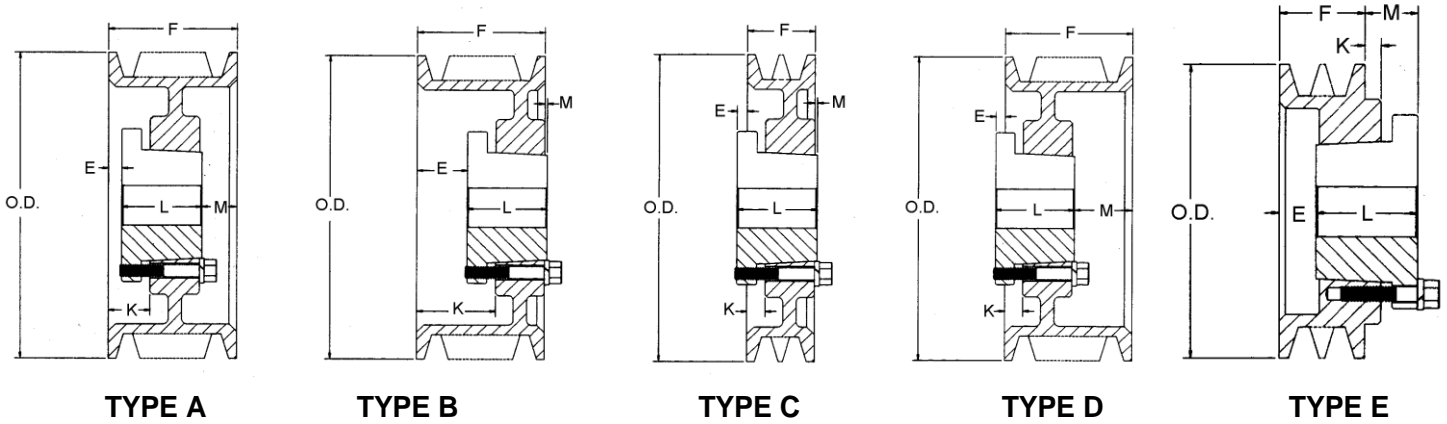


Figure Following Letter in Column Headed "TYPE" in Table Below Indicates Sheave Construction  
1 - Solid, No Web. 2 - Web. 3 - Arms

O.D.	DATUM DIAMETER	5 GROOVE								6 GROOVE									
		PART NUMBER	F = 5-3/8							WT. LBS	PART NUMBER	F = 6-3/8							WT. LBS
			E*	TYPE	BUSH.	K	L	M*	E*			TYPE	BUSH.	K	L	M*			
6.4	6.0	5C6.0	1-3/8	A1	SF	1-15/16	2	2	16	6C6.0	1-3/8	A1	SF	1-15/16	2	3	17		
7.4	7.0	5C7.0	1-5/16	A1	SF	1-15/16	2	2-1/16	24	6C7.0	1-5/16	A1	SF	1-15/16	2	3-1/16	27		
7.9	7.5	5C7.5	1-5/16	A1	SF	1-15/16	2	2-1/16	27	6C7.5	1-5/16	A1	SF	1-15/16	2	3-1/16	30		
8.4	8.0	5C8.0	1-1/2	A1	E	2-3/8	2-5/8	1-1/4	34	6C8.0	1-1/2	A1	E	2-3/8	2-5/8	2-1/4	38		
8.9	8.5	5C8.5	1-1/2	A1	E	2-3/8	2-5/8	1-1/4	38	6C8.5	1-1/2	A1	E	2-3/8	2-5/8	2-1/4	41		
9.4	9.0	5C9.0	1-1/2	A1	E	2-3/8	2-5/8	1-1/4	41	6C9.0	1-7/16	A1	F	2-7/16	3-5/8	1-5/16	53		
9.9	9.5	5C9.5	1-1/2	A2	E	2-3/8	2-5/8	1-1/4	46	6C9.5	1-7/16	A1	F	2-7/16	3-5/8	1-5/16	60		
10.4	10.0	5C10.0	1-1/2	A2	E	2-3/8	2-5/8	1-1/4	49	6C10.0	1-7/16	A1	F	2-7/16	3-5/8	1-5/16	64		
10.9	10.5	5C10.5	1-1/2	A2	E	2-3/8	2-5/8	1-1/4	47	6C10.5	1-7/16	A1	F	2-7/16	3-5/8	1-5/16	70		
11.4	11.0	5C11.0	1-1/2	A2	E	2-3/8	2-5/8	1-1/4	50	6C11.0	1-7/16	A2	F	2-7/16	3-5/8	1-5/16	77		
12.4	12.0	5C12.0	1-1/2	A2	E	2-3/8	2-5/8	1-1/4	56	6C12.0	1-7/16	A2	F	2-7/16	3-5/8	1-5/16	73		
13.4	13.0	5C13.0	1-1/2	A3	E	2-3/8	2-5/8	1-1/4	62	6C13.0	1-7/16	A3	F	2-7/16	3-5/8	1-5/16	80		
14.4	14.0	5C14.0	1-1/2	A3	E	2-3/8	2-5/8	1-1/4	64	6C14.0	1-7/16	A3	F	2-7/16	3-5/8	1-5/16	83		
16.4	16.0	5C16.0	1-1/2	A3	E	2-3/8	2-5/8	1-1/4	78	6C16.0	1-7/16	A3	F	2-7/16	3-5/8	1-5/16	98		
18.4	18.0	5C18.0	1-1/2	A3	E	2-3/8	2-5/8	1-1/4	93	6C18.0	1-7/16	A3	F	2-7/16	3-5/8	1-5/16	109		
20.4	20.0	5C20.0	5/16	A3	F	1-15/16	3-5/8	1-7/16	110	6C20.0	15/16	A3	F	1-15/16	3-5/8	1-13/16	120		
24.4	24.0	5C24.0	5/16	A3	F	1-15/16	3-5/8	1-7/16	141	6C24.0	15/16	A3	F	1-15/16	3-5/8	1-13/16	133		
27.4	27.0	5C27.0	5/16	A3	F	1-15/16	3-5/8	1-7/16	159	6C27.0	3/8	A3	J	1-9/16	4-1/2	1-1/2	190		
30.4	30.0	5C30.0	5/16	A3	F	1-15/16	3-5/8	1-7/16	171	6C30.0	3/8	A3	J	1-9/16	4-1/2	1-1/2	215		
36.4	36.0	5C36.0	3/8	A3	J	1-9/16	4-1/2	1/2	236	6C36.0	3/8	A3	J	1-9/16	4-1/2	1-1/2	281		
44.4	44.0	5C44.0	3/8	A3	J	1-9/16	4-1/2	1/2	309	6C44.0	3/8	A3	J	1-9/16	4-1/2	1-1/2	348		
50.0	50.0	5C50.0	3/8	A3	J	1-9/16	4-1/2	1/2	382	6C50.0	3/8	B3	M	1-15/16	6-3/4	7/8	533		

\*E & M Dimension varies according to shaft tolerance  
Weights are approximate pounds including bushing

All Dimensions in Inches

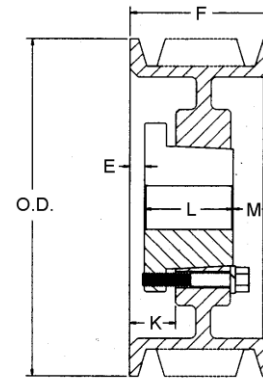


# C stock sheave dimensions conventional v-belt drives

Figure Following Letter in Column Headed "TYPE" in Table Below Indicates Sheave Construction  
1 - Solid, No Web. 2 - Web. 3 - Arms

O.D.	DATUM DIAMETER	8 GROOVE								10 GROOVE							
		PART NUMBER	F = 8-3/8							PART NUMBER	F = 10-3/8						
			E*	TYPE	BUSH	K	L	M*	WT. LBS		E*	TYPE	BUSH	K	L	M*	WT. LBS
7.4	7.0	8C7.0	2-7/16	A1	SF	3-1/8	2	3/15/16	32								
8.4	8.0	8C8.0	2-11/32	A1	E	3-1/4	2-5/8	3/13/32	44	10C8.0	2-11/32	A1	E	3-1/4	2-5/8	5-13/32	51
8.9	8.5	8C8.5	2-11/32	A1	E	3-1/4	2-5/8	3/13/32	48	10C8.5	2-11/32	A1	E	3-1/4	2-5/8	5-13/32	56
9.4	9.0	8C9.0	2-1/4	A1	F	3-5/16	3-5/8	2-1/2	61	10C9.0	2-5/16	A1	J	3-9/16	4-1/2	3-9/16	75
9.9	9.5	8C9.5	2-1/4	A1	F	3-5/16	3-5/8	2-1/2	68	10C9.5	2-5/16	A1	J	3-9/16	4-1/2	3-9/16	84
10.4	10.0	8C10.0	2-1/4	A1	F	3-5/16	3-5/8	2-1/2	73	10C10.0	2-5/16	A1	J	3-9/16	4-1/2	3-9/16	90
10.9	10.5	8C10.5	2-1/4	A1	F	3-5/16	3-5/8	2-1/2	79	10C10.5	2-5/16	A1	J	3-9/16	4-1/2	3-9/16	98
11.4	11.0	8C11.0	2-1/4	A2	F	3-5/16	3-5/8	2-1/2	86	10C11.0	2-5/16	A1	J	3-9/16	4-1/2	3-9/16	107
12.4	12.0	8C12.0	2-1/4	A2	F	3-5/16	3-5/8	2-1/2	83	10C12.0	2-5/16	A2	J	3-9/16	4-1/2	3-9/16	124
13.4	13.0	8C13.0	2-1/4	A2	F	3-5/16	3-5/8	2-1/2	92	10C13.0	2-5/16	A2	J	3-9/16	4-1/2	3-9/16	118
14.4	14.0	8C14.0	2-1/4	A2	F	3-5/16	3-5/8	2-1/2	102	10C14.0	2-5/16	A2	J	3-9/16	4-1/2	3-9/16	127
16.4	16.0	8C16.0	2-1/4	A2	F	3-5/16	3-5/8	2-1/2	119	10C16.0	2-5/16	A2	J	3-9/16	4-1/2	3-9/16	157
18.4	18.0	8C18.0	2-1/4	A3	F	3-5/16	3-5/8	2-1/2	134	10C18.0	2-5/16	A3	J	3-9/16	4-1/2	3-9/16	165
20.4	20.0	8C20.0	5/16	A3	J	1-9/16	4-1/2	3-9/16	162	10C20.0	2-5/16	A3	J	3-9/16	4-1/2	3-9/16	186
24.4	24.0	8C24.0	5/16	A3	J	1-9/16	4-1/2	3-9/16	189	10C24.0	15/32	A3	M	1-15/16	6-3/4	3-5/32	298
27.4	27.0	8C27.0	5/16	A3	J	1-9/16	4-1/2	3-9/16	242								
30.4	30.0	8C30.0	5/16	A3	J	1-9/16	4-1/2	3-9/16	256	10C30.0	15/32	A3	M	1-15/16	6-3/4	3-5/32	367
36.4	36.0	8C36.0	15/32	A3	M	1-15/16	6-3/4	1-5/32	406	10C36.0	15/32	A3	M	1-15/16	6-3/4	3-5/32	445
44.4	44.0	8C44.0	15/32	A3	M	1-15/16	6-3/4	1-5/32	510	10C44.0	15/32	A3	M	1-15/16	6-3/4	3-5/32	595
50.0	50.0	8C50.0	15/32	A3	M	1-15/16	6-3/4	1-5/32	593	10C50.0	15/32	A3	M	1-15/16	6-3/4	3-5/32	718

O.D.	DATUM DIAMETER	12 GROOVE							
		PART NUMBER	F = 12-3/8						
			E*	TYPE	BUSH.	K	L	M*	WT. LBS
9.4	9.0	12C9.0	2-13/16	A1	J	4-1/16	4-1/2	5-1/16	82
9.9	9.5	12C9.5	2-13/16	A1	J	4-1/16	4-1/2	5-1/16	92
10.4	10.0	12C10.0	2-13/16	A1	J	4-1/16	4-1/2	5-1/16	99
10.9	10.5	12C10.5	2-13/16	A1	J	4-1/16	4-1/2	5-1/16	107
11.4	11.0	12C11.0	2-13/16	A1	J	4-1/16	4-1/2	5-1/16	116
12.4	12.0	12C12.0	2-13/16	A2	J	4-1/16	4-1/2	5-1/16	135
13.4	13.0	12C13.0	2-13/16	A2	J	4-1/16	4-1/2	5-1/16	160
14.4	14.0	12C14.0	2-13/16	A2	J	4-1/16	4-1/2	5-1/16	143
16.4	16.0	12C16.0	2-13/16	A2	J	4-1/16	4-1/2	5-1/16	176
18.4	18.0	12C18.0	2-13/16	A3	J	4-1/16	4-1/2	5-1/16	188
20.4	20.0	12C20.0	15/32	A3	M	1-15/16	6-3/4	5-5/32	292
24.4	24.0	12C24.0	15/32	A3	M	1-15/16	6-3/4	5-5/32	361
30.4	30.0	12C30.0	15/32	A3	M	1-15/16	6-3/4	5-5/32	397
36.4	36.0	12C36.0	15/32	A3	M	1-15/16	6-3/4	5-5/32	483
44.4	44.0	12C44.0	15/32	A3	M	1-15/16	6-3/4	5-5/32	645
50.0	50.0	12C50.0	15/32	A3	M	1-15/16	6-3/4	5-5/32	779



TYPE A

\*E & M Dimension varies according to shaft tolerance

All Dimensions in Inches

Weights are approximate pounds including bushing



# D stock sheave dimensions conventional v-belt drives

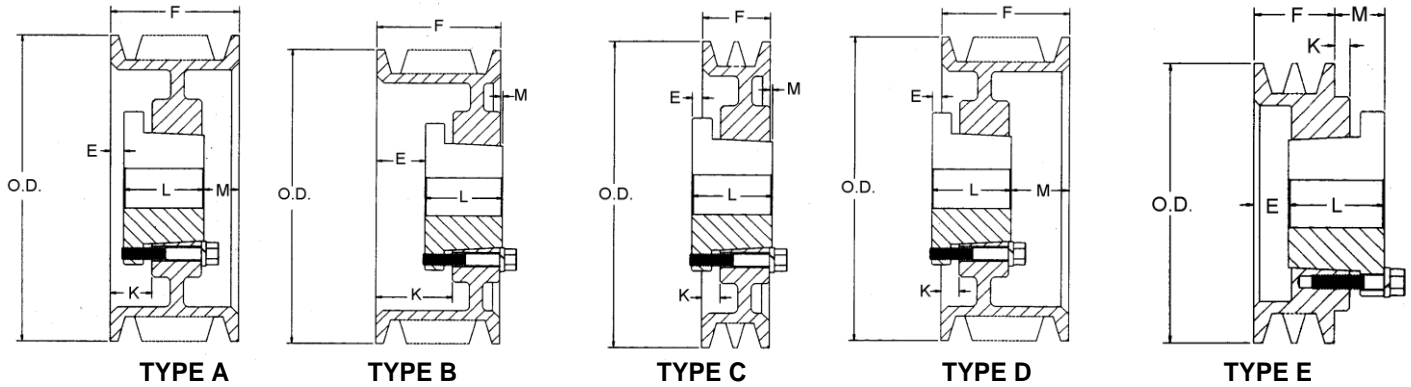


Figure Following Letter in Column Headed "TYPE" in Table Below Indicates Sheave Construction  
1 - Solid, No Web. 2 - Web. 3 - Arms

O.D.	DATUM DIAMETER	3 GROOVE								4 GROOVE							
		PART NUMBER	F = 4-5/8						WT. LBS	PART NUMBER	F = 6-1/16						WT. LBS
			E*	TYPE	BUSH.	K	L	M*			E*	TYPE	BUSH.	K	L	M*	
12.6	12.0	3D12.0	7/16	A2	F	1-1/2	3-5/8	9/16	70	4D12.0	1-1/4	A2	F	2-5/16	3-5/8	1-3/16	80
13.6	13.0	3D13.0	7/16	A2	F	1-1/2	3-5/8	9/16	74	4D13.0	1-1/4	A2	F	2-5/16	3-5/8	1-3/16	86
14.1	13.5	3D13.5	7/16	A2	F	1-1/2	3-5/8	9/16	77	4D13.5	1-1/4	A2	F	2-5/16	3-5/8	1-3/16	90
14.6	14.0	3D14.0	7/16	A2	F	1-1/2	3-5/8	9/16	80	4D14.0	1-1/4	A2	F	2-5/16	3-5/8	1-3/16	94
15.1	14.5	3D14.5	7/16	A2	F	1-1/2	3-5/8	9/16	84	4D14.5	1-1/4	A2	F	2-5/16	3-5/8	1-3/16	98
15.6	15.0	3D15.0	7/16	A2	F	1-1/2	3-5/8	9/16	90	4D15.0	1-1/4	A2	F	2-5/16	3-5/8	1-3/16	102
16.1	15.5	3D15.5	7/16	A2	F	1-1/2	3-5/8	9/16	91	4D15.5	1-1/4	A2	F	2-5/16	3-5/8	1-3/16	104
16.6	16.0	3D16.0	7/16	A2	F	1-1/2	3-5/8	9/16	95	4D16.0	1-1/4	A2	F	2-5/16	3-5/8	1-3/16	108
17.6	17.0									4D17.0	1-5/16	A2	J	2-9/16	4-1/2	1/4	145
18.6	18.0	3D18.0	1/16	D3	J	1-3/16	4-1/2	3/16	125	4D18.0	1-5/16	A2	J	2-9/16	4-1/2	1/4	145
20.6	20.0									4D20.0	5/16	A3	J	1-9/16	4-1/2	1-1/4	152
22.6	22.0	3D22.0	1/16	D3	J	1-3/16	4-1/2	3/16	140	4D22.0	5/16	A3	J	1-9/16	4-1/2	1-1/4	175
24.6	24.0	3D24.0	1/16	D3	J	1-3/16	4-1/2	3/16	154	4D24.0	5/16	A3	J	1-9/16	4-1/2	1-1/4	189
27.6	27.0	3D27.0	1/16	D3	J	1-3/16	4-1/2	3/16	180	4D27.0	5/16	A3	J	1-9/16	4-1/2	1-1/4	210
33.6	33.0	3D33.0	1/16	D3	J	1-3/16	4-1/2	3/16	227	4D33.0	15/32	B3	M	1-15/16	6-3/8	1-5/32	342
40.6	40.0	3D40.0	1/16	D3	J	1-3/16	4-1/2	3/16	273	4D40.0	15/32	B3	M	1-15/16	6-3/4	1-5/32	391

O.D.	DATUM DIAMETER	5 GROOVE								6 GROOVE							
		PART NUMBER	F = 7-1/2						WT. LBS	PART NUMBER	F = 8-15/16						WT. LBS
			E*	TYPE	BUSH.	K	L	M*			E*	TYPE	BUSH.	K	L	M*	
12.6	12.0	5D12.0	2	A2	F	3-1/16	3-5/8	1-7/8	90	6D12.0	2-1/16	A2	J	3-5/16	4-1/2	2-3/8	122
13.6	13.0	5D13.0	2	A2	F	3-1/16	3-5/8	1-7/8	96	6D13.0	2-1/16	A2	J	3-5/16	4-1/2	2-3/8	121
14.1	13.5	5D13.5	2	A2	F	3-1/16	3-5/8	1-7/8	100	6D13.5	2-1/16	A2	J	3-5/16	4-1/2	2-3/8	126
14.6	14.0	5D14.0	2	A2	F	3-1/16	3-5/8	1-7/8	105	6D14.0	2-1/16	A2	J	3-5/16	4-1/2	2-3/8	132
15.1	14.5	5D14.5	2	A2	F	3-1/16	3-5/8	1-7/8	112	6D14.5	2-1/16	A2	J	3-5/16	4-1/2	2-3/8	138
15.6	15.0	5D15.0	2	A2	F	3-1/16	3-5/8	1-7/8	117	6D15.0	2-1/16	A2	J	3-5/16	4-1/2	2-3/8	143
16.1	15.5	5D15.5	2	A2	F	3-1/16	3-5/8	1-7/8	119	6D15.5	2-1/16	A2	J	3-5/16	4-1/2	2-3/8	149
16.6	16.0	5D16.0	2	A2	F	3-1/16	3-5/8	1-7/8	124	6D16.0	2-1/16	A2	J	3-5/16	4-1/2	2-3/8	155
17.6	17.0	5D17.0	2-1/16	A2	J	3-5/16	4-1/2	15/16	145	6D17.0	2-1/16	A2	J	3-5/16	4-1/2	2-3/8	162
18.6	18.0	5D18.0	2-1/16	A2	J	3-5/16	4-1/2	15/16	161	6D18.0	2-1/16	A2	J	3-5/16	4-1/2	2-3/8	181
20.6	20.0	5D20.0	5/16	A3	J	1-9/16	4-1/2	2-11/16	171	6D20.0	2-1/16	A3	J	3-5/16	4-1/2	2-3/8	190
22.6	22.0	5D22.0	5/16	A3	J	1-9/16	4-1/2	2-11/16	192	6D22.0	15/32	A3	M	1/15/16	6-3/4	1-23/32	281
24.6	24.0	5D24.0	5/16	A3	J	1-9/16	4-1/2	2-11/16	211	6D24.0	15/32	A3	M	1/15/16	6-3/4	1-23/32	306
27.6	27.0	5D27.0	15/32	A3	M	1-15/16	6-3/4	9/32	320	6D27.0	15/32	A3	M	1/15/16	6-3/4	1-23/32	346
33.6	33.0	5D33.0	15/32	A3	M	1-15/16	6-3/4	9/32	373	6D33.0	15/32	A3	M	1/15/16	6-3/4	1-23/32	419
40.6	40.0	5D40.0	15/32	A3	M	1-15/16	6-3/4	9/32	469	6D40.0	15/32	A3	M	1/15/16	6-3/4	1-23/32	510
48.6	48.0	5D48.0	15/32	A3	M	1-15/16	6-3/4	9/32	591	6D48.0	15/32	A3	M	1/15/16	6-3/4	1-23/32	667
58.6	58.0	5D58.0	15/32	A3	M	1-15/16	6-3/4	9/32	715	6D58.0	9/16	A3	N	2-1/4	8-1/8	1/4	889

\*E & M Dimension varies according to shaft tolerance  
Weights are approximate pounds including bushing

All Dimensions in Inches

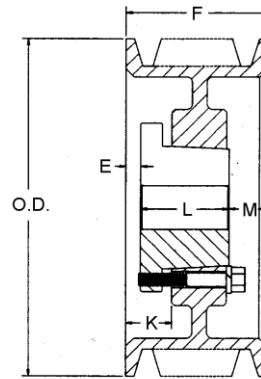


# D stock sheave dimensions conventional v-belt drives

Figure Following Letter in Column Headed "TYPE" in Table Below Indicates Sheave Construction  
1 - Solid, No Web. 2 - Web. 3 - Arms

O.D.	DATUM DIAMETER	8 GROOVE								10 GROOVE									
		PART NUMBER	F = 11-13/16							WT. LBS	PART NUMBER	F = 14-11/16							WT. LBS
			E	TYPE	BUSH.	K	L	M	E			TYPE	BUSH.	K	L	M			
12.6	12.0	8D12.0	2-5/16	A1	J	3-9/16	4-1/2	5	141	10D12.0	2-15/32	A1	M	3-15/16	6-3/4	5-15/32	197		
13.6	13.0	8D13.0	2-5/16	A1	J	3-9/16	4-1/2	5	164	10D13.0	2-15/32	A1	M	3-15/16	6-3/4	5-15/32	224		
14.1	13.5	8D13.5	2-5/16	A1	J	3-9/16	4-1/2	5	177	10D13.5	2-15/32	A1	M	3-15/16	6-3/4	5-15/32	241		
14.6	14.0	8D14.0	2-5/16	A2	J	3-9/16	4-1/2	5	158	10D14.0	2-15/32	A2	M	3-15/16	6-3/4	5-15/32	263		
15.1	14.5	8D14.5	2-5/16	A2	J	3-9/16	4-1/2	5	168	10D14.5	2-15/32	A2	M	3-15/16	6-3/4	5-15/32	274		
15.6	15.0	8D15.0	2-5/16	A2	J	3-9/16	4-1/2	5	171	10D15.0	2-15/32	A2	M	3-15/16	6-3/4	5-15/32	292		
16.1	15.5	8D15.5	2-5/16	A2	J	3-9/16	4-1/2	5	176	10D15.5	2-15/32	A2	M	3-15/16	6-3/4	5-15/32	311		
16.6	16.0	8D16.0	2-5/16	A2	J	3-9/16	4-1/2	5	183	10D16.0	2-15/32	A2	M	3-15/16	6-3/4	5-15/32	297		
17.6	17.0	8D17.0	2-5/16	A2	J	3-9/16	4-1/2	5	193	10D17.0	2-15/32	A2	M	3-15/16	6-3/4	5-15/32	305		
18.6	18.0	8D18.0	2-15/32	A2	M	3-15/16	6-3/4	2-19/32	277	10D18.0	2-15/32	A2	M	3-15/16	6-3/4	5-15/32	311		
20.6	20.0	8D20.0	2-15/32	A2	M	3-15/16	6-3/4	2-19/32	306	10D20.0	2-15/32	A2	M	3-15/16	6-3/4	5-15/32	347		
22.6	22.0	8D22.0	15/32	A3	M	1-15/16	6-3/4	4-19/32	342	10D22.0	1-15/32	A3	M	2-15/16	6-3/4	6-15/32	391		
27.6	27.0	8D27.0	15/32	A3	M	1-15/16	6-3/4	4-19/32	406	10D27.0	1-15/32	A3	M	2-15/16	6-3/4	6-15/32	459		
33.6	33.0	8D33.0	15/32	A3	M	1-15/16	6-3/4	4-19/32	488	10D33.0	1-9/16	A3	N	3-1/4	8-1/8	5	690		
40.6	40.0	8D40.0	9/16	A3	N	2-1/4	8-1/8	3-1/8	657	10D40.0	1-9/16	A3	N	3-1/4	8-1/8	5	813		
48.6	48.0	8D48.0	9/16	A3	N	2-1/4	8-1/8	3-1/8	820	10D48.0	3/4	A3	P	2-5/8	9-3/8	4-9/16	1132		
58.6	58.0	8D58.0	9/16	A3	N	2-1/4	8-1/8	3-1/8	1088	10D58.0	3/4	A3	P	2-5/8	9-3/8	4-9/16	1301		

O.D.	DATUM DIAMETER	12 GROOVE								
		PART NUMBER	F = 17-9/16							WT. LBS
			E	TYPE	BUSH.	K	L	M		
12.6	12.0	12D12.0	3-15/32	A1	M	4-15/16	6-3/4	7-11/32	211	
13.6	13.0	12D13.0	3-15/32	A1	M	4-15/16	6-3/4	7-11/32	245	
14.1	13.5	12D13.5	3-15/32	A1	M	4-15/16	6-3/4	7-11/32	262	
14.6	14.0	12D14.0	3-15/32	A2	M	4-15/16	6-3/4	7-11/32	280	
15.1	14.5	12D14.5	3-15/32	A2	M	4-15/16	6-3/4	7-11/32	298	
15.6	15.0	12D15.0	3-15/32	A2	M	4-15/16	6-3/4	7-11/32	316	
16.1	15.5	12D15.5	3-15/32	A2	M	4-15/16	6-3/4	7-11/32	336	
16.6	16.0	12D16.0	3-15/32	A2	M	4-15/16	6-3/4	7-11/32	314	
17.6	17.0	12D17.0	3-15/32	A2	M	4-15/16	6-3/4	7-11/32	324	
18.6	18.0	12D18.0	3-15/32	A2	M	4-15/16	6-3/4	7-11/32	352	
20.6	20.0	12D20.0	3-15/32	A2	M	4-15/16	6-3/4	7-11/32	387	
22.6	22.0	12D22.0	2-15/32	A3	M	3-15/16	6-3/4	8-11/32	426	
27.6	27.0	12D27.0	2-9/16	A3	N	4-1/4	8-1/8	6-7/8	572	
33.6	33.0	12D33.0	2-9/16	A3	N	4-1/4	8-1/8	6-7/8	705	
40.6	40.0	12D40.0	3/4	A3	P	2-5/8	9-3/8	7-7/16	957	
48.6	48.0	12D48.0	3/4	A3	P	2-5/8	9-3/8	7-7/16	1287	
58.6	58.0	12D58.0	3/4	A3	P	2-5/8	9-3/8	7-7/16	1493	



TYPE A

\*E & M Dimension varies according to shaft tolerance

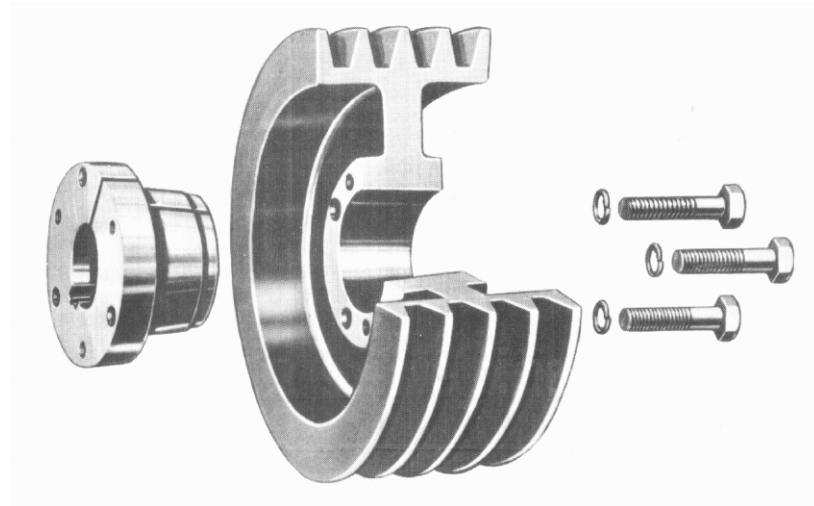
All Dimensions in Inches

Weights are approximate pounds including bushing





## **SUPER WEDGE DRIVES**



### **3V, 5V, AND 8V CROSS SECTIONS SPECIAL MADE-TO-ORDER SHEAVES USE WITH FUL-GRIP (QD) BUSHINGS**

The Maurey Super Wedge Sheave makes full use of the most advanced developments in modern high strength metals, including ductile iron, and of modern foundry and machining techniques. They reduce drive weight by 25% and more. Their narrower grooves and small diameters save vital inches of space with no sacrifice in capacity to carry horsepower load. In their smoothly machined grooves, belts are perfectly seated and protected from abrasions. Balanced overall construction makes for smooth true running drives. However, please note that cast iron sheaves cannot exceed 6500 feet per minute rim speed. Also, special or dynamic balancing should be considered when rim speeds exceed 5000 feet per minute.

#### **Full Size Range**

Super Wedge Sheaves are available from stock in a complete range of sizes in 3V, 5V and 8V

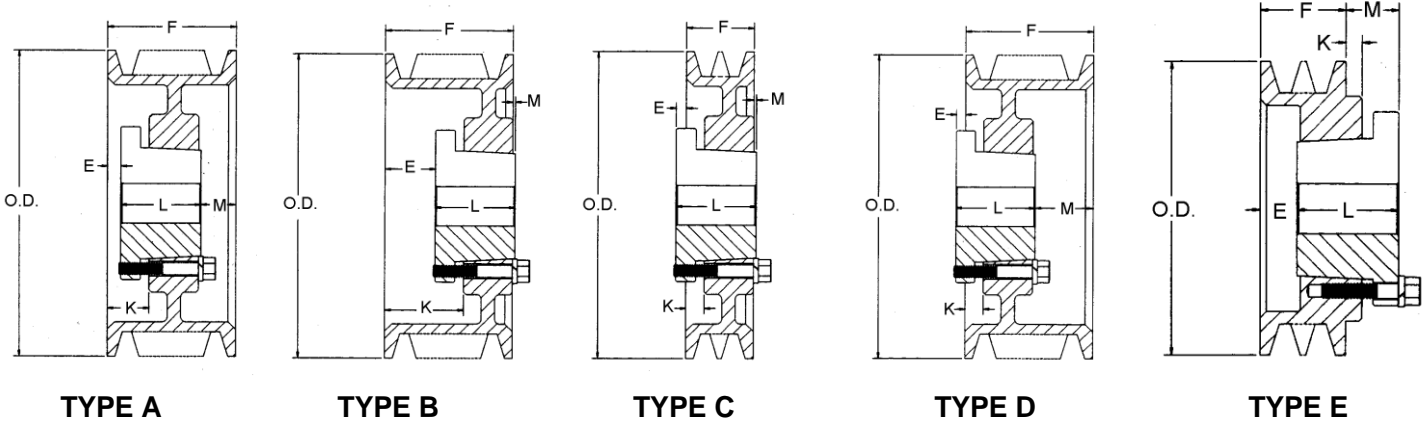
3V Sheaves are available in 1-groove through 10-groove construction

5V Sheaves are available in 2-groove through 10-groove construction

8V Sheaves are available in 4-groove through 12-groove construction



# 3V stock sheave dimensions super wedge sheave drives



## Part Number Explanation

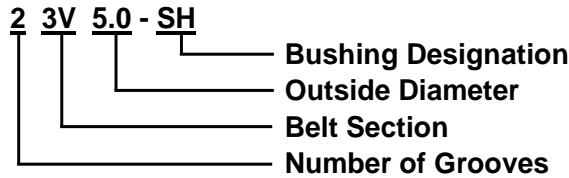


Figure Following Letter in Column Headed "TYPE" in Table Below Indicates Sheave Construction  
1 - Solid, No Web. 2 - Web. 3 - Arms

O.D.	PART NUMBER	1 GROOVE								PART NUMBER	2 GROOVE					
		*F=11/16									F=1-3/32					
		BUSH	TYPE	E	K	L	M	WT	BUSH		TYPE	E	K	L	M	WT
2.20	13V2.2	JA	E1	9/16	7/16	1	7/8	.9	23V2.2	JA	E1	31/32	7/16	1	7/8	1.0
2.35	13V2.35	JA	E1	9/16	7/16	1	7/8	1.1	23V2.35	JA	E1	31/32	7/16	1	7/8	1.3
2.50	13V2.5	JA	E1	9/16	7/16	1	7/8	1.2	23V2.5	JA	E1	31/32	7/16	1	7/8	1.4
2.65	13V2.65	JA	D1	3/8	1/16	1	1/16	1.4	23V2.65	JA	D1	5/16	1/8	1	13/32	1.6
2.80	13V2.8	JA	D1	3/8	1/16	1	1/16	1.5	23V2.8	JA	D1	5/16	1/8	1	13/32	1.7
3.00	13V3.0	JA	D1	3/8	1/16	1	1/16	1.6	23V3.0	JA	D1	5/16	1/8	1	13/32	2.0
3.15	13V3.15	JA	D1	3/8	1/16	1	1/16	1.7	23V3.15	JA	D1	5/16	1/8	1	13/32	2.1
3.35	13V3.35	JA	D1	3/8	1/16	1	1/16	1.8	23V3.35	SH	D1	3/8	1/8	1-1/4	7/32	2.2
3.65	13V3.65	SH	C1	1/2	0	1-1/4	1/16	2.2	23V3.65	SH	D1	3/8	1/8	1-1/4	7/32	2.6
4.12	13V4.12	SH	C1	1/2	0	1-1/4	1/16	2.7	23V4.12	SH	D1	3/16	5/16	1-1/4	1/32	3.2
4.50	13V4.5	SH	C1	1/2	0	1-1/4	1/16	3.1	23V4.5	SH	D1	3/16	5/16	1-1/4	1/32	3.8
4.75	13V4.75	SH	C1	1/2	0	1-1/4	1/16	3.4	23V4.75	SH	D1	3/16	5/16	1-1/4	1/32	4.1
5.00	13V5.0	SH	C1	1/2	0	1-1/4	1/16	3.7	23V5.0	SH	D1	3/16	5/16	1-1/4	1/32	4.6
5.30	13V5.3	SH	C2	1/2	0	1-1/4	1/16	3.9	23V5.3	SH	D1	3/16	5/16	1-1/4	1/32	5.1
5.60	13V5.6	SH	C2	1/2	0	1-1/4	1/16	4.4	23V5.6	SH	D1	3/16	5/16	1-1/4	1/32	5.6
6.00	13V6.0	SH	C2	1/2	0	1-1/4	1/16	4.5	23V6.0	SH	D2	3/16	5/16	1-1/4	1/32	4.8
6.50	13V6.5	SH	C2	1/2	0	1-1/4	1/16	4.6	23V6.5	SDS	D2	1/4	5/16	1-5/16	1/32	5.4
6.90	13V6.9	SH	C2	1/2	0	1-1/4	1/16	4.2	23V6.9	SDS	D2	1/4	5/16	1-5/16	1/32	5.6
8.00	13V8.0	SDS	C3	9/16	0	1-5/16	1/16	6.6	23V8.0	SDS	D2	1/4	5/16	1-5/16	1/32	7.8
10.60	13V10.6	SDS	C3	9/16	0	1-5/16	0	8.5	23V10.6	SK	C3	3/8	1/4	1-7/8	13/32	13.1
14.00	13V14.0	SK	C3	9/16	0	1-7/8	7/16	14.0	23V14.0	SK	C3	3/8	1/4	1-7/8	13/32	16.8
19.00	13V19.0	SK	C3	9/16	0	1-7/8	7/16	19.8	23V19.0	SK	C3	3/8	1/4	1-7/8	13/32	23.3
25.00	13V25.0	SF	C3	3/8	1/4	2	17/32	39.0	23V25.0	SF	C3	3/8	1/4	2	17/32	39.0

\*F = 3/4 for 10.60 inches O.D. and F= 13/16 for 14.00 inches and 19.00 inches O.D.

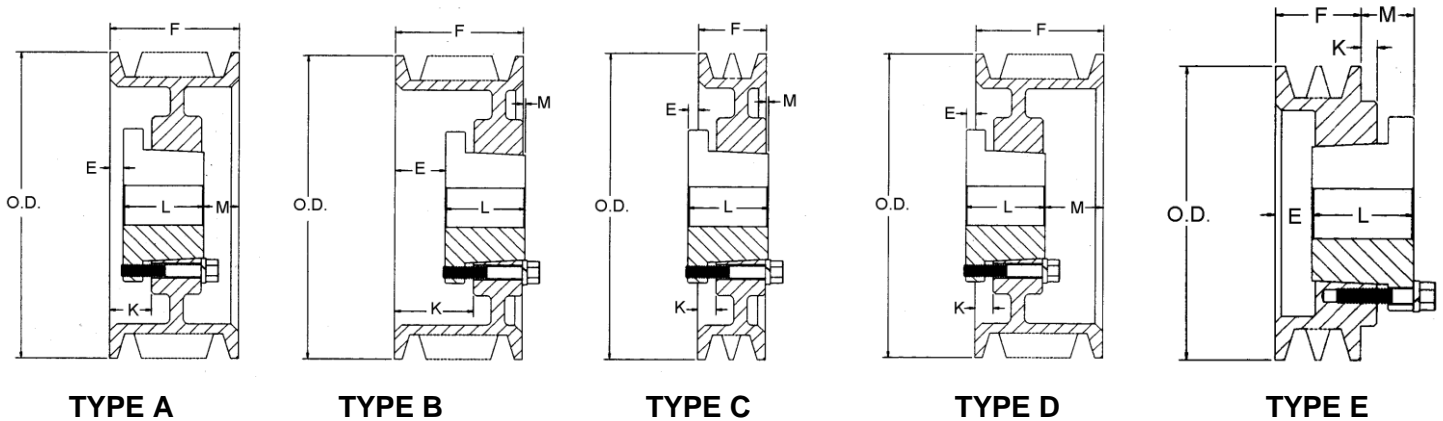
All Dimensions in Inches

NOTE: Weight includes bushing with average bore size.

▲ Recommended for use with cogged belts only



# 3V stock sheave dimensions super wedge sheave drives



## Part Number Explanation

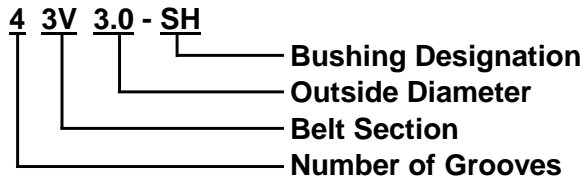


Figure Following Letter in Column Headed "TYPE" in Table Below Indicates Sheave Construction  
1 - Solid, No Web. 2 - Web. 3 - Arms

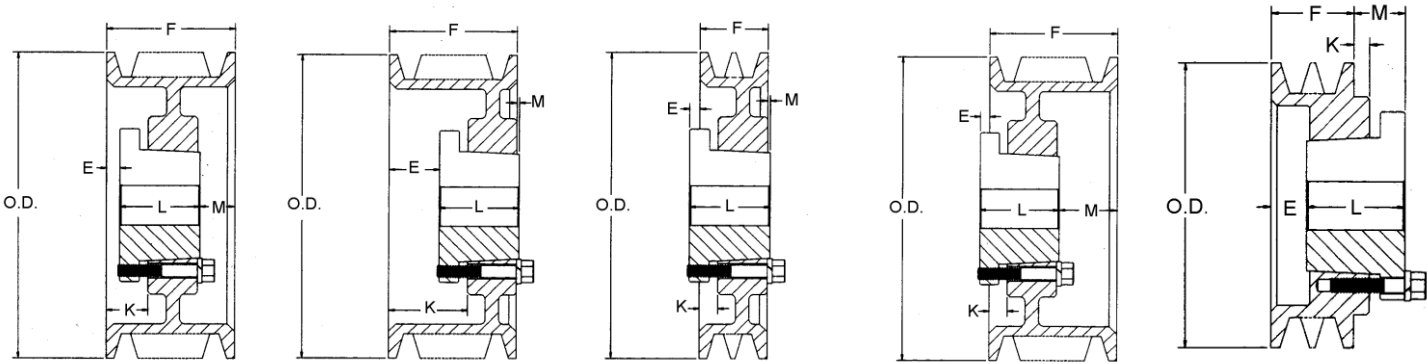
O.D.	PART NUMBER	3 GROOVE							PART NUMBER	4 GROOVE						
		BUSH	TYPE	F=1-1/2				F=1-29/32								
				E	K	L	M	WT	BUSH	TYPE	E	K	L	M	WT	
2.50	33V2.5	JA	E1	1-3/8	7/16	1	7/8	1.7								
2.65	33V2.65	JA	E1	13/16	1/8	1	5/16	1.9	43V2.65	JA	E1	1-7/32	1/8	1	5/16	2.2
2.80	33V2.8	JA	E1	13/16	1/8	1	5/16	2.2	43V2.8	JA	E1	1-7/32	1/8	1	5/16	2.4
3.00	33V3.0	SH	E1	1-1/16	5/16	1-1/4	13/16	2.6	43V3.0	SH	E1	1-15/32	5/16	1-1/4	13/16	2.8
3.15	33V3.15	SH	E1	1-1/16	5/16	1-1/4	13/16	2.8	43V3.15	SH	E1	1-15/32	5/16	1-1/4	13/16	3.1
3.35	33V3.35	SH	D1	3/8	1/8	1-1/4	5/8	2.6	43V3.35	SH	D1	3/8	1/8	1-1/4	1-1/32	2.9
3.65	33V3.65	SH	D1	3/8	1/8	1-1/4	5/8	3.2	43V3.65	SH	D1	3/8	1/8	1-1/4	1-1/32	3.8
4.12	33V4.12	SH	A1	3/16	11/16	1-1/4	1/16	3.6	43V4.12	SH	A1	5/16	13/16	1-1/4	9/32	4.1
4.50	33V4.5	SDS	A1	1/8	11/16	1-5/16	1/16	4.3	43V4.5	SDS	A1	1/4	13/16	1-5/16	11/32	4.6
4.75	33V4.75	SDS	A1	1/8	11/16	1-5/16	1/16	4.8	43V4.75	SDS	A1	1/4	13/16	1-5/16	11/32	5.3
5.00	33V5.0	SDS	A1	1/8	11/16	1-5/16	1/16	5.1	43V5.0	SDS	A1	1/4	13/16	1-5/16	11/32	5.6
5.30	33V5.3	SDS	A1	1/8	11/16	1-5/16	1/16	5.8	43V5.3	SDS	A1	1/4	13/16	1-5/16	11/32	6.4
5.60	33V5.6	SDS	A1	1/8	11/16	1-5/16	1/16	6.5	43V5.6	SDS	A1	1/4	13/16	1-5/16	11/32	6.9
6.00	33V6.0	SDS	A2	1/8	11/16	1-5/16	1/16	6.5	43V6.0	SK	A1	0	5/8	1-7/8	1/32	9.4
6.50	33V6.5	SDS	A2	1/8	11/16	1-5/16	1/16	6.5	43V6.5	SK	A1	0	5/8	1-7/8	1/32	9.5
6.90	33V6.9	SDS	A2	1/8	11/16	1-5/16	1/16	6.8	43V6.9	SK	A2	0	5/8	1-7/8	1/32	10.1
8.00	33V8.0	SK	C2	3/8	1/4	1-7/8	0	11.8	43V8.0	SK	A2	0	5/8	1-7/8	1/32	12.7
10.60	33V10.6	SK	C3	3/8	1/4	1-7/8	0	14.3	43V10.6	SK	A3	0	5/8	1-7/8	1/32	17.7
14.00	33V14.0	SK	C3	3/8	1/4	1-7/8	0	21.0	43V14.0	SK	A3	0	5/8	1-7/8	1/32	23.6
19.00	33V19.0	SF	C3	3/8	1/4	2	1/8	35.8	43V19.0	SF	B3	0	5/8	2	3/32	38.5
25.00	33V25.0	SF	C3	3/8	1/4	2	1/8	44.3	43V25.0	SF	B3	0	5/8	2	3/32	56.5
33.50	33V33.5	SF	C3	3/8	1/4	2	1/8	77.3	43V33.5	E	C3	3/8	1/2	2-5/8	11/32	107.0

NOTE: Weight includes bushing with average bore size.

All Dimensions in Inches



# 3V stock sheave dimensions super wedge sheave drives



TYPE A

TYPE B

TYPE C

TYPE D

TYPE E

## Part Number Explanation

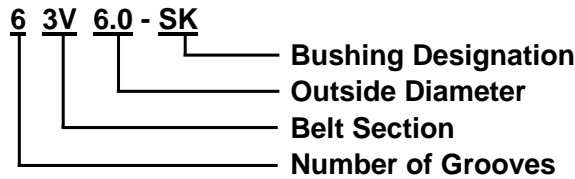


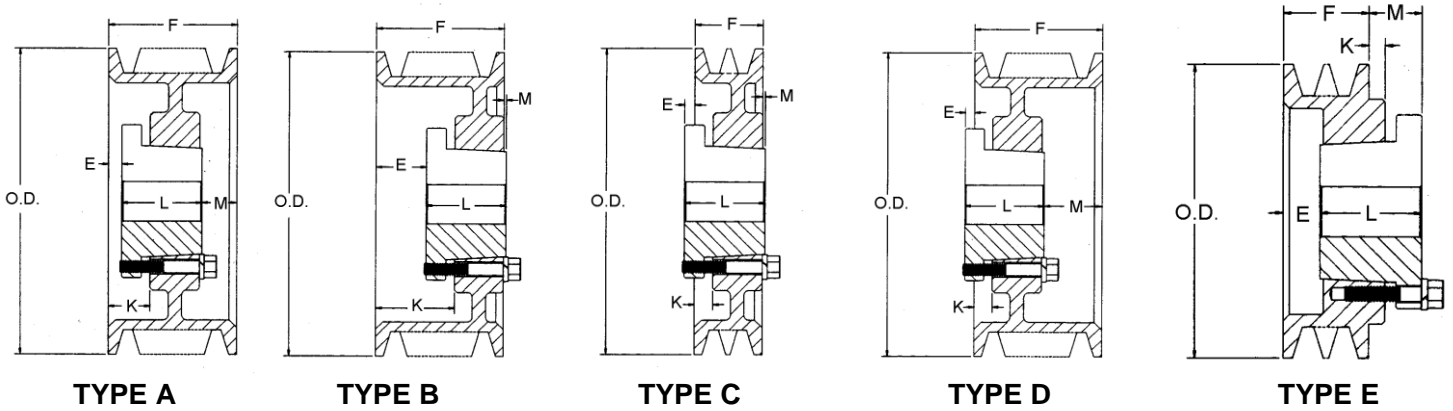
Figure Following Letter in Column Headed "TYPE" in Table Below Indicates Sheave Construction  
1 - Solid, No Web. 2 - Web. 3 - Arms

O.D.	PART NUMBER	5 GROOVE F=2-5/16							PART NUMBER	6 GROOVE F=2-23/32						
		BUSH	TYPE	E	K	L	M	WT		BUSH	TYPE	E	K	L	M	WT
4.75	53V4.75	SDS	A1	1/4	13/16	1-5/16	3/4	5.9	63V4.75	SK	E1	1-11/32	1/8	1-7/8	1/2	7.1
5.00	53V5.0	SDS	A1	1/4	13/16	1-5/16	3/4	6.3	63V5.0	SK	E1	1-11/32	1/8	1-7/8	1/2	7.8
5.30	53V5.3	SK	A1	5/16	15/16	1-7/8	1/8	8.0	63V5.3	SK	A1	11/16	1-5/16	1-7/8	5/32	8.6
5.60	53V5.6	SK	A1	5/16	15/16	1-7/8	1/8	9.0	63V5.6	SK	A1	11/16	1-5/16	1-7/8	5/32	8.6
6.00	53V6.0	SK	A1	5/16	15/16	1-7/8	1/8	10.3	63V6.0	SK	A1	11/16	1-5/16	1-7/8	5/32	11.0
6.50	53V6.5	SK	A1	5/16	15/16	1-7/8	1/8	10.2	63V6.5	SK	A1	11/16	1-5/16	1-7/8	5/32	11.1
6.90	53V6.9	SK	A2	5/16	15/16	1-7/8	1/8	11.0	63V6.9	SK	A2	11/16	1-5/16	1-7/8	5/32	12.1
8.00	53V8.0	SK	A2	5/16	15/16	1-7/8	1/8	14.4	63V8.0	SK	A2	1/4	7/8	1-7/8	19/32	15.2
10.60	53V10.6	SK	A3	5/16	15/16	1-7/8	1/8	19.2	63V10.6	SF	A3	1/4	7/8	2	15/32	22.6
14.00	53V14.0	SF	A3	1/4	7/8	2	1/16	30.6	63V14.0	SF	A3	1/4	7/8	2	15/32	33.0
19.00	53V19.0	SF	A3	1/4	7/8	2	1/16	45.2	63V19.0	E	B3	1/8	1	2-5/8	1/32	61.4
25.00	53V25.0	E	C3	1/4	5/8	2-5/8	1/16	72.6	63V25.0	E	B3	1/8	1	2-5/8	1/32	81.2
33.50	53V33.5	E	C3	1/4	5/8	2-5/8	1/16	109.7	63V33.5	E	B3	1/8	1	2-5/8	1/32	125.3

O.D.	PART NUMBER	8 GROOVE F=3-17/32							PART NUMBER	10 GROOVE F=4-11/32						
		BUSH	TYPE	E	K	L	M	WT		BUSH	TYPE	E	K	L	M	WT
4.75	83V4.75	SK	E1	2-5/32	1/8	1-7/8	1/2	8.4	103V4.75	SK	E1	2-31/32	1/8	1-7/8	1/2	9.7
5.00	83V5.0	SK	E1	2-5/32	1/8	1-7/8	1/2	8.6	103V5.0	SK	E1	2-31/32	1/8	1-7/8	1/2	10.4
5.30	83V5.3	SK	A1	11/16	1-5/16	1-7/8	31/32	10.1	103V5.3	SK	A1	13/16	1-7/16	1-7/8	1-21/32	11.4
5.60	83V5.6	SK	A1	11/16	1-5/16	1-7/8	31/32	10.9	103V5.6	SK	A1	13/16	1-7/16	1-7/8	1-21/32	12.5
6.00	83V6.0	SK	A1	11/16	1-5/16	1-7/8	31/32	12.8	103V6.0	SK	A1	13/16	1-7/16	1-7/8	1-21/32	14.1
6.50	83V6.5	SK	A1	11/16	1-5/16	1-7/8	31/32	14.3	103V6.5	SK	A1	13/16	1-7/16	1-7/8	1-21/32	15.9
6.90	83V6.9	SK	A2	11/16	1-5/16	1-7/8	31/32	13.9	103V6.9	SK	A2	13/16	1-7/16	1-7/8	1-21/32	15.9
8.00	83V8.0	SF	A2	1/2	1-1/8	2	1-1/32	20.0	103V8.0	SF	A2	7/8	1-1/2	2	1-15/32	21.5
10.60	83V10.6	SF	A2	1/2	1-1/8	2	1-1/32	28.1	103V10.6	E	A2	3/8	1-1/4	2-5/8	1-11/32	41.3
14.00	83V14.0	E	A3	3/8	1-1/4	2-5/8	17/32	51.3	103V14.0	E	A3	3/8	1-1/4	2-5/8	1-11/32	55.3
19.00	83V19.0	E	A3	3/8	1-1/4	2-5/8	17/32	69.2	103V19.0	E	A3	3/8	1-1/4	2-5/8	1-11/32	80.0
25.00	83V25.0	E	A3	3/8	1-1/4	2-5/8	17/32	97.6	103V25.0	F	A3	5/16	1-5/16	3-5/8	13/32	127.0
33.50	83V33.5	F	B3	1/16	1-1/16	3-5/8	5/32	156.0	103V33.5	F	A3	5/16	1-5/16	3-5/8	13/32	182.0



# 5V stock sheave dimensions super wedge sheave drives



## Part Number Explanation

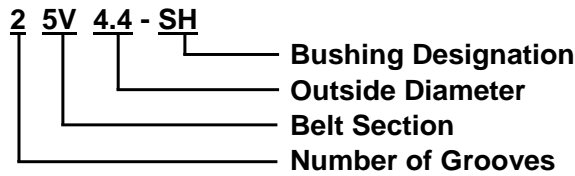


Figure Following Letter in Column Headed "TYPE" in Table Below Indicates Sheave Construction  
1 - Solid, No Web. 2 - Web. 3 - Arms

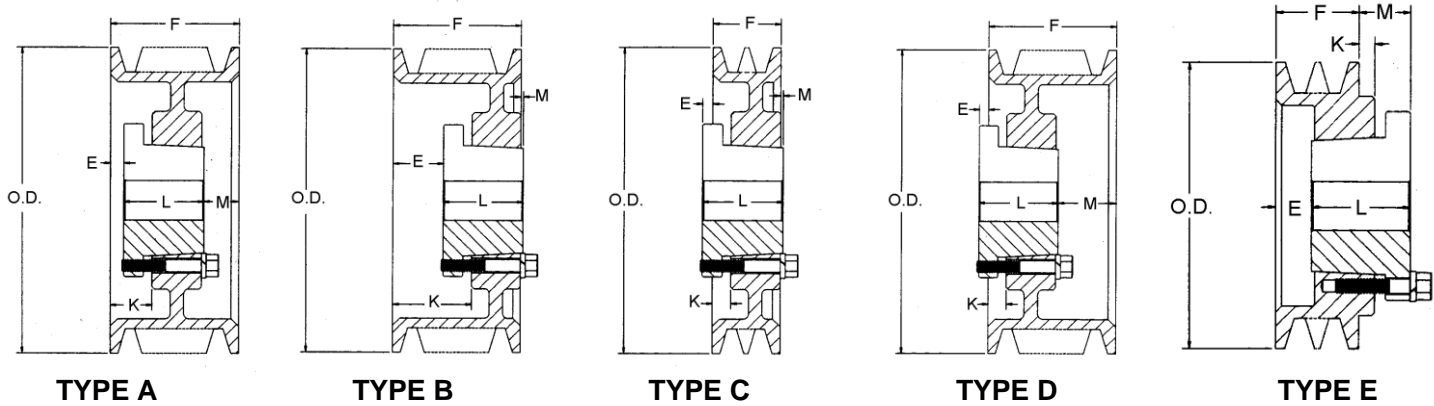
O.D.	PART NUMBER	2 GROOVE F = 1-11/16							PART NUMBER	3 GROOVE F = 2-3/8						
		BUSH	TYPE	E	K	L	M	WT		BUSH	TYPE	E	K	L	M	WT
4.40	25V4.4	SH	A1	3/16	11/16	1-1/4	1/4	4.0	35V4.4	SDS	E1	1-5/8	0	1-5/16	9/16	5.2
4.65	25V4.65	SDS	E1	3/4	3/16	1-5/16	3/8	4.3	35V4.65	SDS	E1	1-5/8	0	1-5/16	9/16	5.8
4.90	25V4.9	SDS	A1	1/8	11/16	1-5/16	1/4	4.8	35V4.9	SDS	A1	1/2	1-1/16	1-5/16	9/16	5.9
5.20	25V5.2	SDS	A1	1/8	11/16	1-5/16	1/4	5.4	35V5.2	SDS	A1	1/2	1-1/16	1-5/16	9/16	6.6
5.50	25V5.5	SDS	A1	1/8	11/16	1-5/16	1/4	6.1	35V5.5	SDS	A1	1/2	1-1/16	1-5/16	9/16	7.4
5.90	25V5.9	SDS	A1	1/8	11/16	1-5/16	1/4	6.8	35V5.9	SDS	A1	1/2	1-1/16	1-5/16	9/16	8.2
6.30	25V6.3	SK	D1	3/16	7/16	1-7/8	0	9.6	35V6.3	SK	A1	7/16	1-1/16	1-7/8	1/16	11.2
6.70	25V6.7	SK	D1	3/16	7/16	1-7/8	0	11.0	35V6.7	SK	A1	7/16	1-1/16	1-7/8	1/16	12.7
7.10	25V7.1	SK	D1	3/16	7/16	1-7/8	0	13.0	35V7.1	SF	B1	3/8	1	2	0	15.0
7.50	25V7.5	SK	D1	3/16	7/16	1-7/8	0	14.5	35V7.5	SF	B1	3/8	1	2	0	16.8
8.00	25V8.0	SK	D1	3/16	7/16	1-7/8	0	16.5	35V8.0	SF	B1	3/8	1	2	0	18.6
8.50	25V8.5	SK	D2	3/16	7/16	1-7/8	0	14.5	35V8.5	SF	B1	3/8	1	2	0	20.7
9.00	25V9.0	SK	D2	3/16	7/16	1-7/8	0	16.0	35V9.0	SF	B2	3/8	1	2	0	20.9
9.25	25V9.25	SK	D2	3/16	7/16	1-7/8	0	17.0	35V9.25	SF	B2	3/8	1	2	0	21.6
9.75	25V9.75	SK	D3	3/16	7/16	1-7/8	0	14.5	35V9.75	SF	B2	3/8	1	2	0	22.8
10.30	25V10.3	SK	D3	3/16	7/16	1-7/8	0	15.5	35V10.3	SF	B2	3/8	1	2	0	24.3
10.90	25V10.9	SK	D3	3/16	7/16	1-7/8	0	17.0	35V10.9	SF	B3	3/8	1	2	0	26.2
11.30	25V11.3	SK	D3	3/16	7/16	1-7/8	0	18.3	35V11.3	SF	B3	3/8	1	2	0	24.2
11.80	25V11.8	SK	D3	3/16	7/16	1-7/8	0	19.0	35V11.8	SF	B3	3/8	1	2	0	25.0
12.50	25V12.5	SF	C3	3/16	7/16	2	1/8	22.0	35V12.5	E	C3	1/8	3/4	2-5/8	1/8	36.0
13.20	25V13.2	SF	C3	3/16	7/16	2	1/8	24.0	35V13.2	E	C3	1/8	3/4	2-5/8	1/8	38.0
14.00	25V14.0	SF	C3	3/16	7/16	2	1/8	27.0	35V14.0	E	C3	1/8	3/4	2-5/8	1/8	46.0
15.00	25V15.0	SF	C3	3/16	7/16	2	1/8	28.0	35V15.0	E	C3	1/8	3/4	2-5/8	1/8	44.0
16.00	25V16.0	SF	C3	3/16	7/16	2	1/8	29.0	35V16.0	E	C3	1/8	3/4	2-5/8	1/8	45.0
18.70	25V18.7	SF	C3	3/16	7/16	2	1/8	39.0	35V18.7	E	C3	1/8	3/4	2-5/8	1/8	55.0
21.20	25V21.2	SF	C3	3/16	7/16	2	1/8	43.0	35V21.2	E	C3	1/8	3/4	2-5/8	1/8	62.0
23.60	25V23.6	E	C3	1/8	3/4	2-5/8	13/16	61.0	35V23.6	E	C3	1/8	3/4	2-5/8	1/8	75.0
28.00	25V28.0	E	C3	1/8	3/4	2-5/8	13/16	77.5	35V28.0	E	C3	1/8	3/4	2-5/8	1/8	85.0
31.50									35V31.5	F	C3	7/16	9/16	3-5/8	13/16	130.0
37.50									35V37.5	F	C3	7/16	9/16	3-5/8	13/16	143.0
50.00									35V50.0	F	C3	7/16	9/16	3-5/8	13/16	218.0

NOTE: Weight includes bushing with average bore size.

All Dimensions in Inches



# 5V stock sheave dimensions super wedge sheave drives



## Part Number Explanation

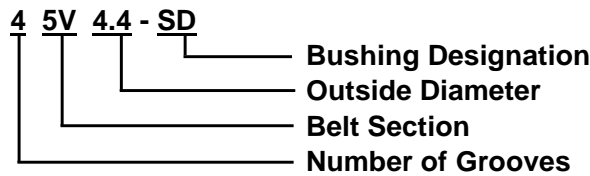


Figure Following Letter in Column Headed "TYPE" in Table Below Indicates Sheave Construction  
1 - Solid, No Web. 2 - Web. 3 - Arms

O.D.	PART NUMBER	4 GROOVE F = 3-1/16							PART NUMBER	5 GROOVE F = 3-3/4						
		BUSH	TYPE	E	K	L	M	WT		BUSH	TYPE	E	K	L	M	WT
4.40	45V4.4	SD	E1	1-13/16	0	1-13/16	9/16	6.3	55V4.4	SD	E1	2-1/2	0	1-13/16	9/16	7.3
4.65	45V4.65	SD	E1	1-13/16	0	1-13/16	9/16	7.1	55V4.65	SD	E1	2-1/2	0	1-13/16	9/16	8.1
4.90	45V4.9	SD	A1	3/4	1-5/16	1-13/16	1/2	7.7	55V4.9	SD	A1	3/4	1-5/16	1-13/16	1-3/16	8.7
5.20	45V5.2	SD	A1	3/4	1-5/16	1-13/16	1/2	8.7	55V5.2	SD	A1	3/4	1-5/16	1-13/16	1-3/16	9.9
5.50	45V5.5	SD	A1	3/4	1-5/16	1-13/16	1/2	9.8	55V5.5	SD	A1	3/4	1-5/16	1-13/16	1-3/16	11.1
5.90	45V5.9	SD	A1	3/4	1-5/16	1-13/16	1/2	11.1	55V5.9	SK	A1	11/16	1-5/16	1-7/8	1-3/16	12.6
6.30	45V6.3	SK	A1	11/16	1-5/16	1-7/8	1/2	12.7	55V6.3	SK	A1	11/16	1-5/16	1-7/8	1-3/16	14.3
6.70	45V6.7	SK	A1	11/16	1-5/16	1-7/8	1/2	14.3	55V6.7	SF	A1	11/16	1-5/16	2	1-1/16	16.6
7.10	45V7.1	SF	A1	7/16	1-1/16	2	5/8	16.7	55V7.1	SF	A1	3/4	1-3/8	2	1	18.8
7.50	45V7.5	SF	A1	7/16	1-1/16	2	5/8	18.8	55V7.5	SF	A1	3/4	1-3/8	2	1	20.8
8.00	45V8.0	E	B1	9/16	1-7/16	2-5/8	1/8	27.3	55V8.0	E	A1	7/8	1-3/4	2-5/8	1/4	29.1
8.50	45V8.5	E	B1	9/16	1-7/16	2-5/8	1/8	29.8	55V8.5	E	A1	7/8	1-3/4	2-5/8	1/4	32.2
9.00	45V9.0	E	B1	9/16	1-7/16	2-5/8	1/8	32.9	55V9.0	E	A1	7/8	1-3/4	2-5/8	1/4	35.3
9.25	45V9.25	E	B1	9/16	1-7/16	2-5/8	1/8	34.8	55V9.25	E	A1	7/8	1-3/4	2-5/8	1/4	37.5
9.75	45V9.75	E	B2	9/16	1-7/16	2-5/8	1/8	34.0	55V9.75	E	A2	7/8	1-3/4	2-5/8	1/4	38.0
10.30	45V10.3	E	B2	9/16	1-7/16	2-5/8	1/8	36.3	55V10.3	E	A2	7/8	1-3/4	2-5/8	1/4	40.3
10.90	45V10.9	E	B2	9/16	1-7/16	2-5/8	1/8	40.0	55V10.9	E	A2	7/8	1-3/4	2-5/8	1/4	44.5
11.30	45V11.3	E	B2	9/16	1-7/16	2-5/8	1/8	40.0	55V11.3	E	A2	7/8	1-3/4	2-5/8	1/4	43.6
11.80	45V11.8	E	B2	9/16	1-7/16	2-5/8	1/8	41.5	55V11.8	E	A2	7/8	1-3/4	2-5/8	1/4	44.5
12.50	45V12.5	E	B3	9/16	1-7/16	2-5/8	1/8	42.5	55V12.5	E	A3	7/8	1-3/4	2-5/8	1/4	55.0
13.20	45V13.2	E	B3	9/16	1-7/16	2-5/8	1/8	44.0	55V13.2	E	A3	7/8	1-3/4	2-5/8	1/4	58.0
14.00	45V14.0	E	B3	9/16	1-7/16	2-5/8	1/8	45.0	55V14.0	E	A3	7/8	1-3/4	2-5/8	1/4	59.8
15.00	45V15.0	E	B3	9/16	1-7/16	2-5/8	1/8	49.8	55V15.0	E	A3	7/8	1-3/4	2-5/8	1/4	60.5
16.00	45V16.0	E	B3	9/16	1-7/16	2-5/8	1/8	51.0	55V16.0	E	A3	7/8	1-3/4	2-5/8	1/4	67.0
18.70	45V18.7	E	A3	3/8	1-1/4	2-5/8	1/16	65.0	55V18.7	F	B3	5/16	1-5/16	3-5/8	3/16	88.0
21.20	45V21.2	E	A3	3/8	1-1/4	2-5/8	1/16	71.0	55V21.2	F	B3	5/16	1-5/16	3-5/8	3/16	107.0
23.60	45V23.6	F	C3	1/8	7/8	3-5/8	7/16	98.0	55V23.6	F	B3	5/16	1-5/16	3-5/8	3/16	112.0
28.00	45V28.0	F	C3	1/8	7/8	3-5/8	7/16	114.0	55V28.0	F	B3	5/16	1-5/16	3-5/8	3/16	132.0
31.50	45V31.5	F	C3	1/8	7/8	3-5/8	7/16	142.0	55V31.5	J	C3	3/16	1	4-1/2	9/16	178.0
37.50	45V37.5	F	C3	1/8	7/8	3-5/8	7/16	171.0	55V37.5	J	C3	3/16	1	4-1/2	9/16	220.0
50.00	45V50.0	J	C3	1/2	11/16	4-1/2	15/16	253.0	55V50.0	J	C3	3/16	1	4-1/2	9/16	275.0

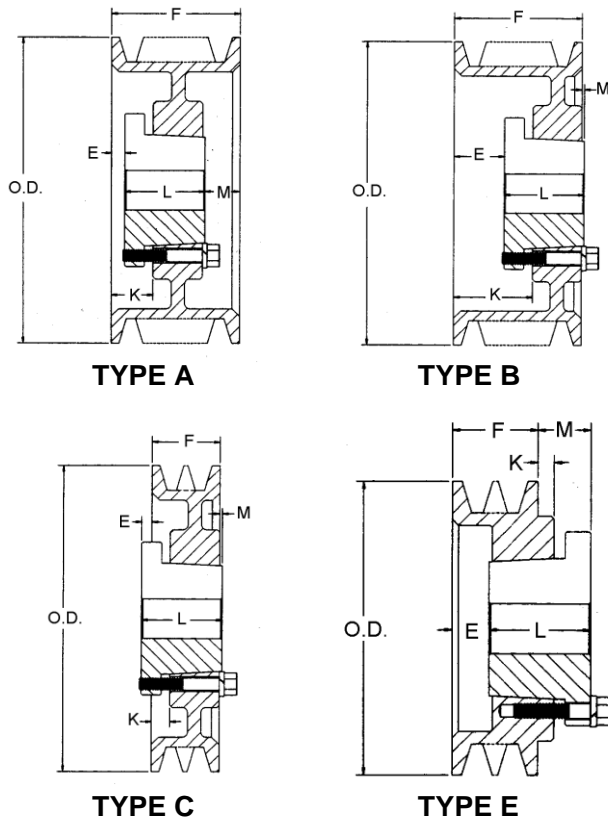
NOTE: Weight includes bushing with average bore size.

All Dimensions in Inches



# 5V stock sheave dimensions super wedge sheave drives

Figure Following Letter in Column Headed "TYPE" in Table Below Indicates Sheave Construction  
1 - Solid, No Web. 2 - Web. 3 - Arms



O.D.	PART NUMBER	6 GROOVE						
		F = 4-7/16						
		BUSH	TYPE	E	K	L	M	WT
4.40	65V4.4	SD	E1	3-3/16	0	1-13/16	9/16	8.2
4.65	65V4.65	SD	E1	3-3/16	0	1-13/16	9/16	9.1
4.90	65V4.9	SD	A1	3/4	1-5/16	1-13/16	1-7/8	9.7
5.20	65V5.2	SD	A1	3/4	1-5/16	1-13/16	1-7/8	11.0
5.50	65V5.5	SD	A1	3/4	1-5/16	1-13/16	1-7/8	12.4
5.90	65V5.9	SK	A1	11/16	1-5/16	1-7/8	1-7/8	14.0
6.30	65V6.3	SK	A1	11/16	1-5/16	1-7/8	1-7/8	15.8
6.70	65V6.7	SF	A1	1	1-5/8	2	1-7/16	18.2
7.10	65V7.1	SF	A1	1	1-5/8	2	1-7/16	20.5
7.50	65V7.5	SF	A1	1	1-5/8	2	1-7/16	23.5
8.00	65V8.0	E	A1	1-1/8	2	2-5/8	11/16	32.0
8.50	65V8.5	E	A1	1-1/8	2	2-5/8	11/16	34.5
9.00	65V9.0	E	A1	1-1/8	2	2-5/8	11/16	38.0
9.25	65V9.25	E	A1	1-1/8	2	2-5/8	11/16	40.0
9.75	65V9.75	E	A1	1-1/8	2	2-5/8	11/16	44.3
10.30	65V10.3	E	A2	1-1/8	2	2-5/8	11/16	43.5
10.90	65V10.9	E	A2	1-1/8	2	2-5/8	11/16	48.3
11.30	65V11.3	E	A2	1-1/8	2	2-5/8	11/16	47.8
11.80	65V11.8	E	A2	1-1/8	2	2-5/8	11/16	49.0
12.50	65V12.5	F	B2	1-1/16	2-1/16	3-5/8	1/4	68.0
13.20	65V13.2	F	B2	1-1/16	2-1/16	3-5/8	1/4	68.0
14.00	65V14.0	F	B2	1-1/16	2-1/16	3-5/8	1/4	73.0
15.00	65V15.0	F	B3	1-1/16	2-1/16	3-5/8	1/4	75.0
16.00	65V16.0	F	B3	1-1/16	2-1/16	3-5/8	1/4	91.0
18.70	65V18.7	F	A3	5/16	1-5/16	3-5/8	1/2	95.0
21.20	65V21.2	F	A3	5/16	1-5/16	4-1/2	1/2	116.0
23.60	65V23.6	J	B3	1/8	1-5/16	4-1/2	3/16	134.0
28.00	65V28.0	J	B3	1/8	1-5/16	4-1/2	3/16	153.0
31.50	65V31.5	J	B3	1/8	1-5/16	4-1/2	3/16	200.0
37.50	65V37.5	J	B3	1/8	1-5/16	4-1/2	3/16	235.0
50.00	65V50.0	M	C3	15/16	1/2	6-3/4	1-3/8	363.0

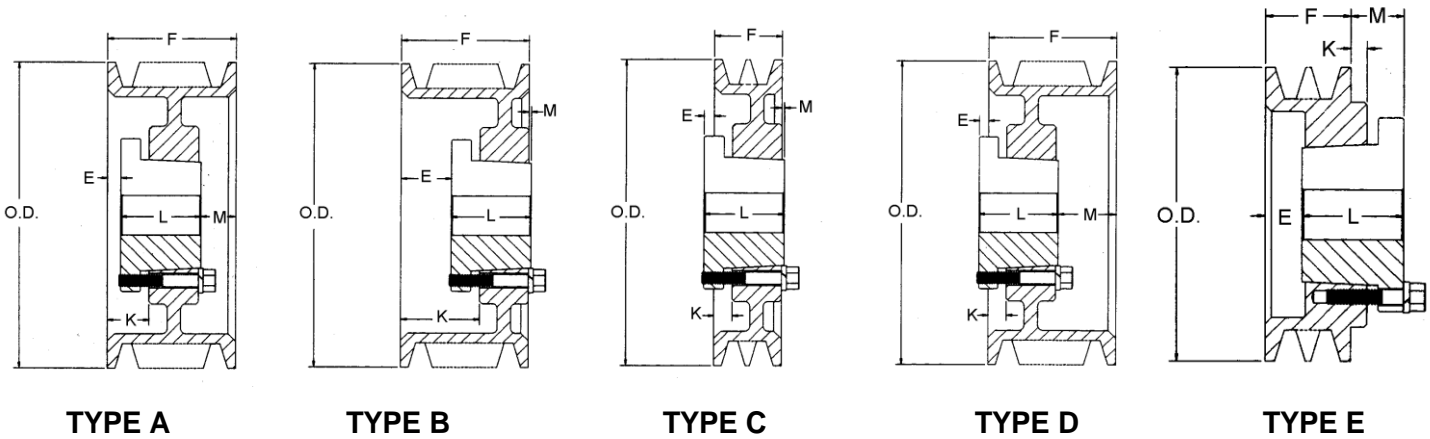
O.D.	PART NUMBER	8 GROOVE							PART NUMBER	10 GROOVE						
		F = 5-13/16								F = 7-3/16						
		BUSH	TYPE	E	K	L	M	WT		BUSH	TYPE	E	K	L	M	WT
7.10	85V7.1	SF	A1	1-1/2	2-1/8	2	2-5/16	24.0								
7.50	85V7.5	SF	A1	1-1/2	2-1/8	2	2-5/16	27.3								
8.00	85V8.0	E	A1	1-5/8	2-1/2	2-5/8	1-9/16	35.5	105V8.0	E	A1	2-3/8	3-1/4	2-5/8	2-3/16	41.8
8.50	85V8.5	E	A1	1-5/8	2-1/2	2-5/8	1-9/16	39.0	105V8.5	E	A1	2-3/8	3-1/4	2-5/8	2-3/16	44.0
9.00	85V9.0	E	A1	1-5/8	2-1/2	2-5/8	1-9/16	43.0	105V9.0	F	A1	2-5/16	3-5/16	3-5/8	1-1/4	57.0
9.25	85V9.25	F	A1	1-9/16	2-9/16	3-5/8	5/8	55.0	105V9.25	F	A1	2-5/16	3-5/16	3-5/8	1-1/4	60.0
9.75	85V9.75	F	A1	1-9/16	2-9/16	3-5/8	5/8	57.5	105V9.75	F	A1	2-5/16	3-5/16	3-5/8	1-1/4	64.0
10.30	85V10.3	F	A1	1-9/16	2-9/16	3-5/8	5/8	60.0	105V10.3	F	A1	2-5/16	3-5/16	3-5/8	1-1/4	66.0
10.90	85V10.9	F	A1	1-9/16	2-9/16	3-5/8	5/8	65.0	105V10.9	F	A1	2-5/16	3-5/16	3-5/8	1-1/4	72.0
11.30	85V11.3	F	A1	1-9/16	2-9/16	3-5/8	5/8	76.9	105V11.3	F	A1	2-5/16	3-5/16	3-5/8	1-1/4	84.0
11.80	85V11.8	F	A2	1-9/16	2-9/16	3-5/8	5/8	67.0	105V11.8	F	A2	2-5/16	3-5/16	3-5/8	1-1/4	80.0
12.50	85V12.5	F	A2	1-9/16	2-9/16	3-5/8	5/8	76.0	105V12.5	J	A2	2-3/8	3-9/16	4-1/2	5/16	111.0
13.20	85V13.2	F	A2	1-9/16	2-9/16	3-5/8	5/8	76.8	105V13.2	J	A2	2-3/8	3-9/16	4-1/2	5/16	105.0
14.00	85V14.0	F	A2	1-9/16	2-9/16	3-5/8	5/8	77.0	105V14.0	J	A2	2-3/8	3-9/16	4-1/2	5/16	108.0
15.00	85V15.0	F	A3	1-9/16	2-9/16	3-5/8	5/8	85.0	105V15.0	J	A2	2-3/8	3-9/16	4-1/2	5/16	120.0
16.00	85V16.0	F	A3	1-9/16	2-9/16	3-5/8	5/8	90.0	105V16.0	J	A3	2-3/8	3-9/16	4-1/2	5/16	160.0
18.70	85V18.7	J	A3	3/8	1-9/16	4-1/2	15/16	174.0	105V18.7	J	A3	3/8	1-9/16	4-1/2	2-5/16	140.0
21.20	85V21.2	J	A3	3/8	1-9/16	4-1/2	15/16	163.0	105V21.2	J	A3	3/8	1-9/16	4-1/2	2-5/16	185.0
23.60	85V23.6	J	A3	3/8	1-9/16	4-1/2	15/16	158.0	105V23.6	M	B3	1/2	1-15/16	6-3/4	1/16	235.0
28.00	85V28.0	J	A3	3/8	1-9/16	4-1/2	15/16	180.0	105V28.0	M	B3	1/2	1-15/16	6-3/4	1/16	260.0
31.50	85V31.5	M	B3	1/2	1-15/16	6-3/4	1-7/16	300.0	105V31.5	M	B3	1/2	1-15/16	6-3/4	1/16	325.0
37.50	85V37.5	M	B3	1/2	1-15/16	6-3/4	1-7/16	342.0	105V37.5	M	B3	1/2	1-15/16	6-3/4	1/16	375.0
50.00	85V50.0	M	B3	1/2	1-15/16	6-3/4	1-7/16	420.0	105V50.0	M	B3	1/2	1-15/16	6-3/4	1/16	472.0

NOTE: Weight includes bushing with average bore size.

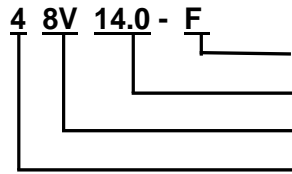
All Dimensions in Inches



# 8V stock sheave dimensions super wedge sheave drives



### Part Number Explanation



**Bushing Designation**  
**Outside Diameter**  
**Belt Section**  
**Number of Grooves**

Figure Following Letter in Column Headed "TYPE" in Table Below Indicates Sheave Construction  
1 - Solid, No Web. 2 - Web. 3 - Arms

O.D.	PART NUMBER	4 GROOVE F = 4-7/8							PART NUMBER	5 GROOVE F = 6						
		BUSH	TYPE	E	K	L	M	WT		BUSH	TYPE	E	K	L	M	WT
12.5	48V12.5	F	A1	1/8	1-3/16	3-5/8	1-1/8	85.5	58V12.5	F	A1	1-1/4	2-5/16	3-5/8	1-1/8	93.3
13.2	48V13.2	F	A2	1/8	1-3/16	3-5/8	1-1/8	78.4	58V13.2	F	A2	1-1/4	2-5/16	3-5/8	1-1/8	88.2
14.0	48V14.0	F	A2	1/8	1-3/16	3-5/8	1-1/8	84.5	58V14.0	F	A2	1-1/4	2-5/16	3-5/8	1-1/8	95.2
15.0	48V15.0	F	A2	1/8	1-3/16	3-5/8	1-1/8	92.6	58V15.0	F	A2	1-1/4	2-5/16	3-5/8	1-1/8	104.7
16.0	48V16.0	F	A2	1/8	1-3/16	3-5/8	1-1/8	98.8	58V16.0	F	A2	1-1/4	2-5/16	3-5/8	1-1/8	112.1
17.0	48V17.0	F	A2	1/8	1-3/16	3-5/8	1-1/8	109.4	58V17.0	J	A2	3/4	2	4-1/2	3/4	141.0
18.0	48V18.0	F	A2	1/8	1-3/16	3-5/8	1-1/8	118.1	58V18.0	J	A2	3/4	2	4-1/2	3/4	157.0
19.0	48V19.0	F	A2	1/8	1-3/16	3-5/8	1-1/8	128.3	58V19.0	J	A2	3/4	2	4-1/2	3/4	169.0
20.0	48V20.0	J	A3	3/16	1-7/16	4-1/2	3/16	128.3	58V20.0	J	A2	3/4	2	4-1/2	3/4	167.5
21.2	48V21.2	J	A3	3/16	1-7/16	4-1/2	3/16	142.8	58V21.2	J	A2	3/4	2	4-1/2	3/4	183.8
22.4	48V22.4	J	A3	3/16	1-7/16	4-1/2	3/16	154.2	58V22.4	M	B2	15/32	1-15/16	6-3/4	1-7/32	276.3
24.8	48V24.8	M	C3	21/32	13/16	6-3/4	1-7/32	247.5	58V24.8	M	B3	15/32	1-15/16	6-3/4	1-7/32	266.5
30.0	48V30.0	M	C3	21/32	13/16	6-3/4	1-7/32	286.7	58V30.0	M	B3	15/32	1-15/16	6-3/4	1-7/32	327.6
35.5	48V35.5	M	C3	21/32	13/16	6-3/4	1-7/32	342.0	58V35.5	M	B3	15/32	1-15/16	6-3/4	1-7/32	404.0
40.0	48V40.0	M	C3	21/32	13/16	6-3/4	1-7/32	407.6	58V40.0	M	B3	15/32	1-15/16	6-3/4	1-7/32	441.0
44.5	48V44.5	M	C3	21/32	13/16	6-3/4	1-7/32	461.0	58V44.5	N	C3	3/4	15/16	8-1/8	1-3/8	580.5
53.0	48V53.0	M	C3	21/32	13/16	6-3/4	1-7/32	557.0	58V53.0	N	C3	3/4	15/16	8-1/8	1-3/8	688.0

NOTE: Weight includes bushing with average bore size.

All Dimensions in Inches





# 8V stock sheave dimensions super wedge sheave drives

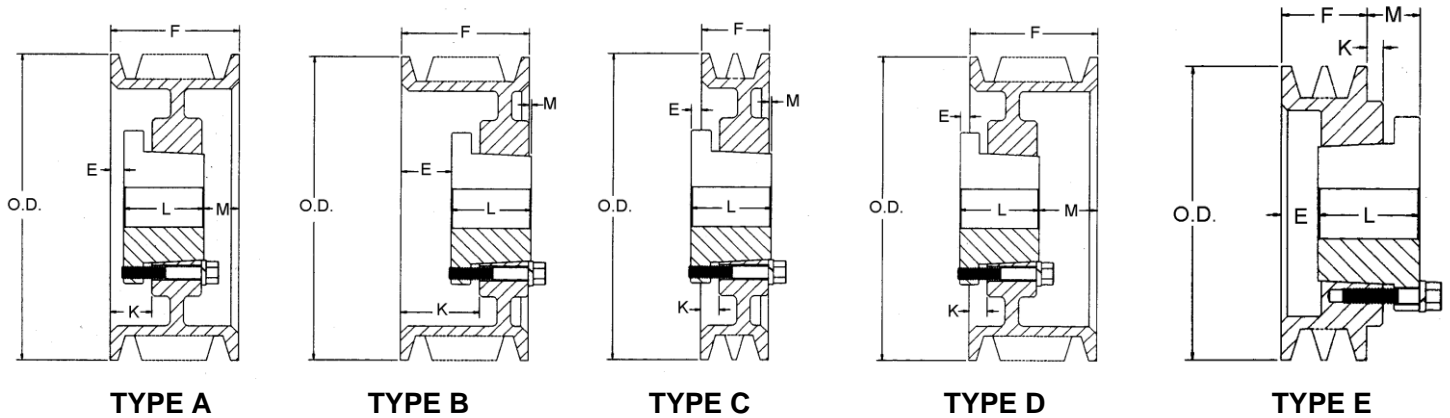


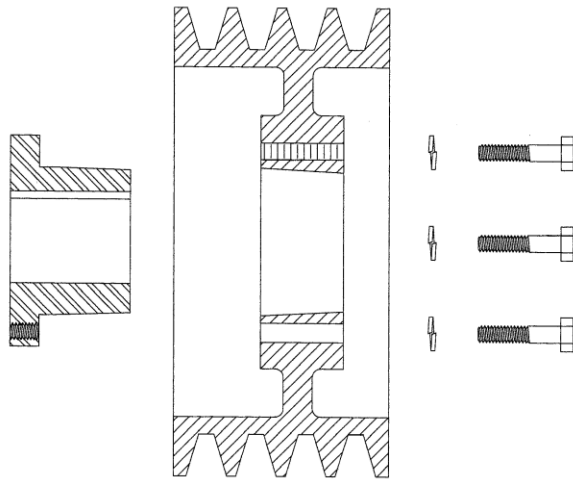
Figure Following Letter in Column Headed "TYPE" in Table Below Indicates Sheave Construction  
1 - Solid, No Web. 2 - Web. 3 - Arms

O.D.	PART NUMBER	6 GROOVE F = 7-1/8							PART NUMBER	8 GROOVE F = 9-3/8						
		BUSH	TYPE	E	K	L	M	WT		BUSH	TYPE	E	K	L	M	WT
12.5	68V12.5	F	A1	1-1/4	2-5/16	3-5/8	2-1/4	100.9	88V12.5	J	A1	2-5/16	3-9/16	4-1/2	2-9/16	129.1
13.2	68V13.2	F	A2	1-1/4	2-5/16	3-5/8	2-1/4	96.6	88V13.2	J	A1	2-5/16	3-9/16	4-1/2	2-9/16	144.5
14.0	68V14.0	F	A2	1-1/4	2-5/16	3-5/8	2-1/4	104.1	88V14.0	J	A2	2-5/16	3-9/16	4-1/2	2-9/16	136.6
15.0	68V15.0	J	A2	1-5/16	2-9/16	4-1/2	1-5/16	127.2	88V15.0	J	A2	2-5/16	3-9/16	4-1/2	2-9/16	146.5
16.0	68V16.0	J	A2	1-5/16	2-9/16	4-1/2	1-5/16	143.5	88V16.0	J	A2	2-5/16	3-9/16	4-1/2	2-9/16	164.5
17.0	68V17.0	J	A2	1-5/16	2-9/16	4-1/2	1-5/16	153.0	88V17.0	M	A2	2-15/32	3-15/16	6-3/4	5/32	244.1
18.0	68V18.0	J	A2	1-5/16	2-9/16	4-1/2	1-5/16	169.0	88V18.0	M	A2	2-15/32	3-15/16	6-3/4	5/32	257.0
19.0	68V19.0	J	A2	1-5/16	2-9/16	4-1/2	1-5/16	182.0	88V19.0	M	A2	2-15/32	3-15/16	6-3/4	5/32	280.0
20.0	68V20.0	M	B2	1-15/32	2-15/16	6-3/4	1-3/32	242.8	88V20.0	M	A2	2-15/32	3-15/16	6-3/4	5/32	292.6
21.2	68V21.2	M	B2	1-15/32	2-15/16	6-3/4	1-3/32	263.3	88V21.2	M	A2	2-15/32	3-15/16	6-3/4	5/32	314.0
22.4	68V22.4	M	B2	1-15/32	2-15/16	6-3/4	1-3/32	280.9	88V22.4	M	A2	2-15/32	3-15/16	6-3/4	5/32	345.7
24.8	68V24.8	M	B3	15/32	1-15/16	6-3/4	3/32	285.5	88V24.8	N	A3	9/16	2-1/4	8-1/8	11/16	423.7
30.0	68V30.0	M	B3	15/32	1-15/16	6-3/4	3/32	354.4	88V30.0	N	A3	9/16	2-1/4	8-1/8	11/16	468.9
35.5	68V35.5	N	C3	9/16	1-1/8	8-1/8	7/16	537.0	88V35.5	N	A3	9/16	2-1/4	8-1/8	11/16	588.0
40.0	68V40.0	N	C3	9/16	1-1/8	8-1/8	7/16	549.9	88V40.0	N	A3	9/16	2-1/4	8-1/8	11/16	663.0
44.5	68V44.5	N	C3	9/16	1-1/8	8-1/8	7/16	619.5	88V44.5	P	B3	3/4	2-5/8	9-3/8	3/4	860.0
53.0	68V53.0	N	C3	9/16	1-1/8	8-1/8	7/16	768.0	88V53.0	P	B3	3/4	2-5/8	9-3/8	3/4	992.0
63.0	68V63.0	P	B3	1/8	2	9-3/8	2-3/8	1027.0	88V63.0	P	B3	3/4	2-5/8	9-3/8	3/4	1262.0
71.0	68V71.0	P	B3	1/8	2	9-3/8	2-3/8	1200.0	88V71.0	W	B3	0	2-1/4	11-3/8	2	1725.0

O.D.	PART NUMBER	10 GROOVE F = 11-5/8						PART NUMBER	12 GROOVE F = 13-7/8							
		BUSH	TYPE	E	K	L	M		WT	BUSH	TYPE	E	K	L	M	WT
12.5	108V12.5	J	A1	2-5/16	3-9/16	4-1/4	4-13/16	148.9	128V12.5	M	A1	2-15/32	3-15/16	6-3/4	4-21/32	198.0
13.2	108V13.2	J	A2	2-5/16	3-9/16	4-1/2	4-13/16	148.6	128V13.2	M	A1	2-15/32	3-15/16	6-3/4	4-21/32	225.0
14.0	108V14.0	J	A2	2-5/16	3-9/16	4-1/2	4-13/16	161.0	128V14.0	M	A1	2-15/32	3-15/16	6-3/4	4-21/32	245.8
15.0	108V15.0	M	A1	2-15/32	3-15/16	6-3/4	2-13/32	264.0	128V15.0	M	A1	2-15/32	3-15/16	6-3/4	4-21/32	285.5
16.0	108V16.0	M	A2	2-15/32	3-15/16	6-3/4	2-13/32	296.7	128V16.0	M	A1	2-15/32	3-15/16	6-3/4	4-21/32	324.0
17.0	108V17.0	M	A2	2-15/32	3-15/16	6-3/4	2-13/32	269.1	128V17.0	M	A2	2-15/32	3-15/16	6-3/4	4-21/32	324.0
18.0	108V18.0	M	A2	2-15/32	3-15/16	6-3/4	2-13/32	295.0	128V18.0	M	A2	2-15/32	3-15/16	6-3/4	4-21/32	338.0
19.0	108V19.0	M	A2	2-15/32	3-15/16	6-3/4	2-13/32	318.0	128V19.0	N	A2	9/16	2-1/4	8-1/8	5-3/16	412.0
20.0	108V20.0	M	A2	2-15/32	3-15/16	6-3/4	2-13/32	318.6	128V20.0	N	A2	9/16	2-1/4	8-1/8	5-3/16	411.0
21.2	108V21.2	M	A2	2-15/32	3-15/16	6-3/4	2-13/32	340.7	128V21.2	N	A2	9/16	2-1/4	8-1/8	5-3/16	421.0
22.4	108V22.4	N	A2	9/16	2-1/4	8-1/8	2-15/16	411.1	128V22.4	N	A2	9/16	2-1/4	8-1/8	5-3/16	478.0
24.8	108V24.8	N	A2	9/16	2-1/4	8-1/8	2-15/16	463.0	128V24.8	N	A2	9/16	2-1/4	8-1/8	5-3/16	516.5
30.0	108V30.0	N	A3	9/16	2-1/4	8-1/8	2-15/16	557.5	128V30.0	P	A3	3/4	2-5/8	9-3/8	3-3/4	672.1
35.5	108V35.5	P	A3	3/4	2-5/8	9-3/8	1-1/2	727.0	128V35.5	P	A3	3/4	2-5/8	9-3/8	3-3/4	837.0
40.0	108V40.0	P	A3	3/4	2-5/8	9-3/8	1-1/2	817.9	128V40.0	P	A3	3/4	2-5/8	9-3/8	3-3/4	909.5
44.5	108V44.5	P	A3	3/4	2-5/8	9-3/8	1-1/2	927.0	128V44.5	P	A3	3/4	2-5/8	9-3/8	3-3/4	1097.0
53.0	108V53.0	P	A3	3/4	2-5/8	9-3/8	1-1/2	1137.0	128V53.0	W	A3	5/8	2-7/8	11-3/8	1-7/8	1482.0
63.0	108V63.0	W	B3	3/8	2-5/8	11-3/8	1/8	1652.0	128V63.0	W	A3	5/8	2-7/8	11-3/8	1-7/8	1777.0
71.0	108V71.0	W	B3	3/8	2-5/8	11-3/8	1/8	1865.0	128V71.0	W	A3	5/8	2-7/8	11-3/8	1-7/8	2180.0

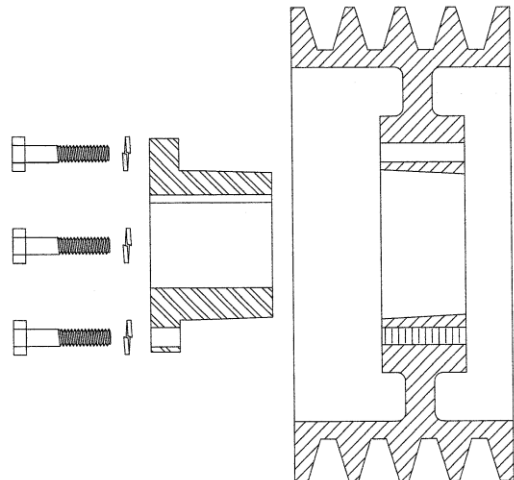
NOTE: Weight includes bushing with average bore size.

All Dimensions in Inches



**STANDARD MOUNTING ASSEMBLY**

**Fig. 1**



**REVERSE MOUNTING ASSEMBLY**

**Fig. 2**

# INSTALLATION AND REMOVAL OF QD SHEAVES

## INSTALLATION

1. Make sure the bore of the sheave and the tapered cone surface of the bushing are free of all the foreign substances such as paint, dirt, lubricants, etc. Do not use lubricants on installation.
2. Assemble bushings and sheave as shown above in Figures 1 and 2, whichever applies. With cap screws loosely inserted, the bushing remains fully expanded to assume a sliding fit on the shaft. Note: When installing bushings M thru S, locate the extra holes in the hub as far as possible from the bushing's saw cut in order to reduce the possibility of bushing flange breakage. **CAUTION: Do not use lubricants on screw threads or tapered surfaces**
3. With key on shaft, slide sheave assembly to its desired position with cap screw heads on outside. (Exception: Some shaft lengths may require the sheaves to be reversed with the cap screw heads to the inside - see Figure 2.)
4. Line up the sheave assembly and tighten cap screws evenly and progressively to the torque value listed in the table. Never allow the sheave to be drawn in contact with the bushing flange. There should be a gap of 1/8" to 1/4" between the sheave hub and the bushing flange. If the gap is closed, the shaft is seriously undersize.
5. Tighten the set screw to hold the key securely on the shaft during operation.

**CAUTION:** When mounting a "FUL-GRIP" bushing, the tightening force of the screws is multiplied many times by the wedging action of the tapered surface. This action compresses the bushing for a snug fit on the shaft. If extreme screw tightening force or lubricants are applied in mounting the "FUL-GRIP" bushing, bursting pressures will be created in the hub of the mounted sheave which may cause it to crack.

Refer to the recommended torque ratings

## REMOVAL

1. Loosen and remove cap screws.
2. Insert cap screws in tapered removal holes and starting with bolt farthest from sawnut on bushing, tighten evenly and progressively until sheave is loose on bushing. If sheaves in Figure 2 are installed with cap screw heads next to motor, loosen cap screws and use a wedge between the bushing and the sheave.
3. Remove sheave and bushing

**CAUTION:** Excessive or unequal pressure on the jack screws can break the bushing flange

Bushing	Wrench Torque (In.-Lbs)	Wrench Length (Inches)	Wrench Pull (Pounds)
JA	60	4	15
SH	108	4	27
SDS	108	4	27
SDS	108	4	27
SK	180	6	30
SF	360	6	60
E	720	12	60
F	900	12	75
J	1620	12	135
M	2700	15	180
N	3600	15	240
P	5400	18	300



# TIMING BELT PULLEYS AND SPROCKETS



## Performance Advantages

Maurey Timing Belt Drives provide a reliable, economical and trouble-free alternative to transmit power and reduce drive weight and cost when compared to chain drives and other types of belt drives.

## Wide Range of Load Capacities

Maurey Timing Belt Drives are designed for high capacity performance exceeding the traditional limitations of chain and belt drives. The load capacity varies from fractional horsepower to more than 600 H.P.

## Alterations

Maurey will customize your Timing Belt component needs to suit the application in which it is used. See list price book or consult factory for various alteration charges.

- Rebore Minimum Plain Bore
- Add Keyway
- Add Set Screw

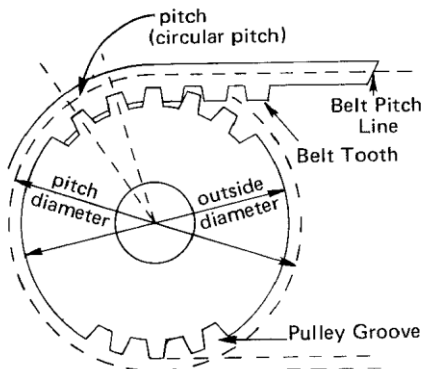
Contact Maurey Customer Service for quantity breaks for alterations.

## Space Saving Design

When compared to other belt systems, Maurey Timing Belt Drives permit a narrower drive, reducing the cost of the drive by cutting component costs.

## POSITIVE DRIVE PULLEYS

Maurey Positive Drive Pulleys are made in five stock pitches to conform with the five stock pitches of belts. They are available in a wide range of stock widths and diameters. On the belt, pitch is the distance between the tooth centers on the pitch line of the belt. On the pulley, pitch is the distance between groove centers and is measured on the pulley pitch circle.



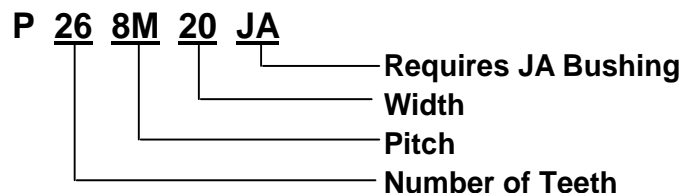
## HIGH TORQUE DRIVE SPROCKETS

**Available For Belts 8mm and 14mm in Pitch**

## Engineered for Durability

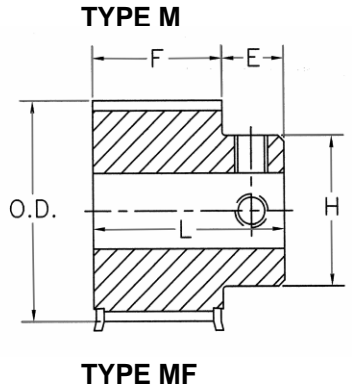
High Torque Sprocket Drives are designed to minimize interference between the belt and sprocket during mesh, providing greater horsepower without slippage or speed variation. By designing belt teeth to disperse critical stresses, belt performance is improved, assuring longer belt life.

## Part Number Description





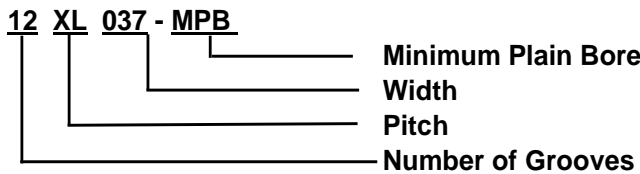
# 1/5" pitch (XL) stock pulley dimensions positive drive pulleys



ALL "XL" PULLEYS ARE DRILLED AND TAPPED. TWO SET SCREWS ARE INCLUDED NOT INSTALLED.

Figure Following Letter in Column Headed "TYPE" in Table Below Indicates Sheave Construction  
1 - Solid, No Web. 2 - Web. 3 - Arms "F" Indicates Flanged Pulley

### Part Number Explanation



Pulleys stocked in 3/8 inch (XL037) width only. For belts 1/4 inch (XL025), 5/16 inch (XL031), and 3/8 inch (XL037) wide.

Steel Part Number	Aluminum Part Number	Number of Grooves	Pitch Diameter	Outside Diameter		Type	Dimensions, Inches				Bore Range		Steel Weight Lbs (Approx.)	Aluminum Weight Lbs (Approx.)
				Pulley	Flange		E	L	H	F	Min ^	Max		
10XL037MPB		10	.637	.617	29/32	M1F	7/32	25/32	7/16	9/16	3/16	1/4	.03	
11XL037MPB		11	.700	.680	29/32	M1F	7/32	25/32	7/16	9/16	3/16	1/4	.03	
12XL037MPB	12AXL037MPB	12	.764	.744	31/32	M1F	7/32	25/32	1/2	9/16	3/16	5/16	.06	.03
14XL037MPB	14AXL037MPB	14	.891	.871	1-7/64	M1F	7/32	25/32	9/16	9/16	1/4	3/8	.06	.05
15XL037MPB	15AXL037MPB	15	.955	.935	1-3/16	M1F	7/32	25/32	5/8	9/16	1/4	7/16	.09	.06
16XL037MPB	16AXL037MPB	16	1.019	.999	1-1/4	M1F	7/32	25/32	11/16	9/16	1/4	3/8	.09	.06
18XL037MPB	18AXL037MPB	18	1.146	1.126	1-3/8	M1F	7/32	25/32	13/16	9/16	1/4	9/16	.13	.09
20XL037MPB	20AXL037MPB	20	1.273	1.253	1-1/2	M1F	5/16	7/8	15/16	9/16	1/4	11/16	.19	.12
21XL037MPB	21AXL037MPB	21	1.377	1.317	1-9/16	M1F	5/16	7/8	15/16	9/16	1/4	11/16	.19	.12
22XL037MPB	22AXL037MPB	22	1.401	1.381	1-5/8	M1F	5/16	7/8	1	9/16	1/4	3/4	.22	.12
24XL037MPB	24AXL037MPB	24	1.528	1.508	1-3/4	M1F	5/16	7/8	1-1/16	9/16	1/4	13/16	.25	.15
28XL037MPB	28AXL037MPB	28	1.783	1.763	2	M1F	5/16	7/8	1-3/16	9/16	1/4	15/16	.34	.21
30XL037MPB	30AXL037MPB	30	1.910	1.890	2-1/8	M1F	5/16	7/8	1-3/8	9/16	5/16	1-1/16	.41	.22
32XL037MPB	32AXL037MPB	32	2.037	2.017		M1	7/16	1	1-1/2	9/16	5/16	1-3/16	.53	.25
36XL037MPB	36AXL037MPB	36	2.292	2.272		M1	7/16	1	1-1/2	9/16	5/16	1-3/16	.75	.30
40XL037MPB	40AXL037MPB	40	2.546	2.526		M1	7/16	1	1-1/2	9/16	5/16	1-3/16	.90	.31
42XL037MPB	42AXL037MPB	42	2.674	2.654		M2/M1*	7/16	1	1-5/8	9/16	5/16	1-3/16	1.06	.31
44XL037MPB	44AXL037MPB	44	2.801	2.781		M2/M1*	7/16	1	1-5/8	9/16	5/16	1-3/16	1.31	.31
48XL037MPB	48AXL037MPB	48	3.056	3.036		M2	7/16	1	1-5/8	9/16	5/16	1-3/16	1.50	.38
60XL037MPB	60AXL037MPB	60	3.820	3.800		M2	7/16	1	1-5/8	9/16	3/8	1-3/16	1.40	.38
72XL037MPB	72AXL037MPB	72	4.584	4.564		M2	7/16	1	1-5/8	9/16	3/8	1-3/16	1.75	.50

^ Minimum plain bore only carried in stock

Maximum bore possible without keyseat

\* Aluminum in this size is M1 style



# 3/8" pitch (L) stock pulley dimensions positive drive pulleys

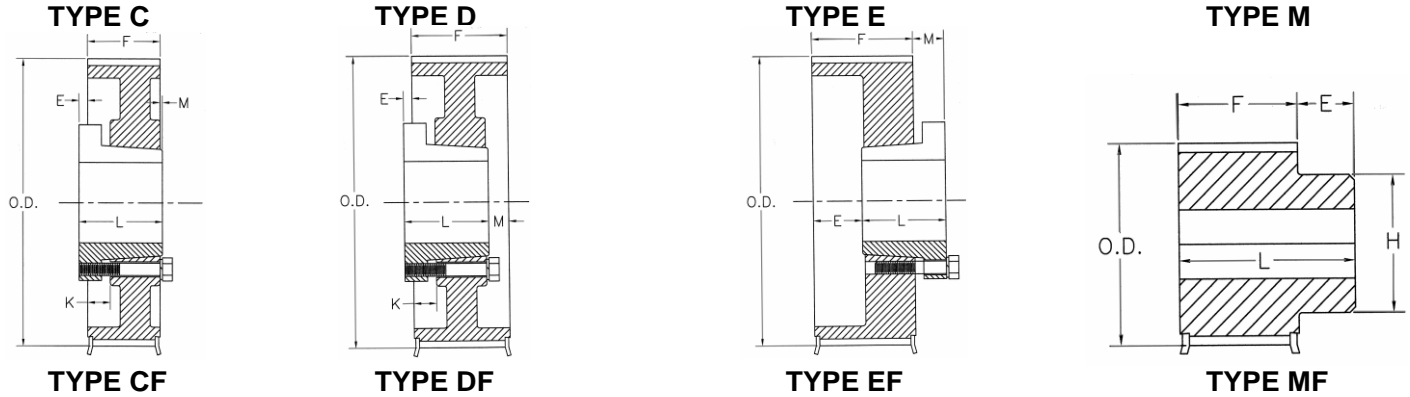
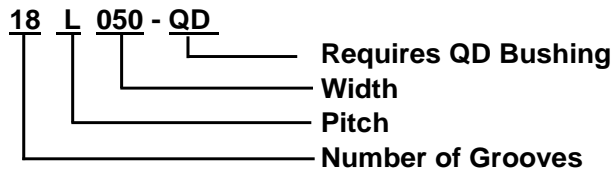


Figure Following Letter in Column Headed "TYPE" in Table Below Indicates Sheave Construction  
 1 - Solid, No Web. 2 - Web. 3 - Arms "F" Indicates Flanged Pulley

### Part Number Explanation



### FOR BELTS 1/2 INCH WIDE • 3/8 INCH PITCH (L050)

Part Number	Number of Grooves	Pitch Diameter	Outside Diameter		Bush	Type*	Dimensions, Inches						Bore Range		Weight Lbs □ (Approx.)
			Pulley	Flange			E	L	M	K	H	F	Min	Max *	
10L050MPB	10	1.194	1.164	1-7/16	*	M1F	3/8	1-1/8			13/16	3/4	3/8	9/16	.28
12L050MPB	12	1.432	1.402	1-11/16	*	M1F	1/2	1-1/4			1-1/16	3/4	3/8	13/16	.30
13L050MPB	13	1.552	1.522	1-3/4	*	M1F	1/2	1-1/4			1-1/8	3/4	3/8	13/16	.35
14L050MPB	14	1.671	1.641	1-15/16	*	M1F	5/8	1-1/4			1-1/8	3/4	3/8	7/8	.40
15L050MPB	15	1.790	1.760	1-15/16	*	M1F	1/2	1-1/4			1-1/8	3/4	1/2	15/16	.50
16L050MPB	16	1.910	1.880	2-3/16	*	M1F	5/8	1-3/8			1-7/16	3/4	1/2	1-1/8	.60
17L050MPB	17	2.029	1.999	2-3/16	*	M1F	5/8	1-3/8			1-7/16	3/4	1/2	1-1/8	.65
18L050MPB	18	2.149	2.119	2-3/8	*	M1F	5/8	1-3/8			1-9/16	3/4	1/2	1-3/16	.75
18L050QD	18	2.149	2.119	2-3/8	JA	E1F	3/16	1	7/16			3/4	1/2	1-3/16	.40
19L050MPB	19	2.268	2.238	2-3/8	*	M1F	5/8	1-3/8			1-5/8	3/4	1/2	1-3/16	.80
20L050MPB	20	2.837	2.357	2-5/8	*	M1F	5/8	1-3/8			1-11/16	3/4	1/2	1-1/4	.94
20L050QD	20	2.837	2.357	2-5/8	JA	E1F	3/16	1	7/16			3/4	1/2	1-3/16	.50
21L050MPB	21	2.507	2.477	2-3/4	*	M1F	11/16	1-7/16			1-7/8	3/4	1/2	1-5/16	1.0
22L050MPB	22	2.626	2.596	3	*	M1F	3/4	1-1/2			2	3/4	1/2	1-1/2	1.1
22L050QD	22	2.626	2.596	3	JA	E1F	3/16	1	7/16			3/4	1/2	1-3/16	.70
24L050MPB	24	2.865	2.835	3-1/4	*	M1F	3/4	1-1/2			2-1/4	3/4	1/2	1-5/8	1.6
24L050QD	24	2.865	2.835	3-1/4	SH	E1F	0	1-1/4	1/2			3/4	1/2	1-5/8	.70
26L050MPB	26	3.104	3.074	3-5/16	*	M1F	3/4	1-1/2			2-1/4	3/4	1/2	1-5/8	2.3
26L050QD	26	3.104	3.074	3-5/16	SH	C1F	1/2	1-1/4	0	0		3/4	1/2	1-5/8	1.0
28L050MPB	28	3.342	3.312	3-9/16	*	M1F	3/4	1-1/2			2-1/4	3/4	1/2	1-5/8	2.5
28L050QD	28	3.342	3.312	3-9/16	SH	C1F	1/2	1-1/4	0	0		3/4	1/2	1-5/8	1.1
30L050MPB	30	3.581	3.551	3-3/4	*	M1F	3/4	1-1/2			2-1/4	3/4	1/2	1-5/8	2.7
30L050QD	30	3.581	3.551	3-3/4	SDS	C1F	9/16	1-5/16	0	0		3/4	1/2	1-15/16	1.1
32L050MPB	32	3.820	3.790	4	*	M1F	7/8	1-5/8			2-9/16	3/4	1/2	1-7/8	3.0
32L050QD	32	3.820	3.790	4	SDS	C1F	9/16	1-5/16	0	0		3/4	1/2	1-15/16	1.4
36L050QD	36	4.297	4.267	4-17/32	SDS	C1F	9/16	1-5/16	0	0		3/4	1/2	1-15/16	2.0
40L050QD	40	4.775	4.745	5	SDS	D1F	9/16	1-5/16	0	0		3/4	1/2	1-15/16	2.8
44L050QD	44	5.252	5.222	5-31/64	SDS	C1F	9/16	1-5/16	0	0		3/4	1/2	1-15/16	3.6
48L050QD	48	5.730	5.700	6	SDS	D1F	9/16	1-5/16	0	0		3/4	1/2	1-15/16	4.4
60L050QD	60	7.162	7.132		SD	C3	13/16	1-13/16	1/4	+1/4		3/4	1/2	1-15/16	4.2
72L050QD	72	8.594	8.564		SD	C3	13/16	1-13/16	1/4	+1/4		3/4	1/2	1-15/16	6.6
84L050QD	84	10.027	9.997		SD	C3	13/16	1-13/16	1/4	+1/4		3/4	1/2	1-15/16	5.8
96L050QD	96	11.459	11.429		SD	C3	13/16	1-13/16	1/4	+1/4		3/4	1/2	1-15/16	7.4
120L050QD	120	14.324	14.294		SD	C3	13/16	1-13/16	1/4	+1/4		3/4	1/2	1-15/16	10.0

\* Maximum bore without keyway

Weight shown is for pulley without bushing

\*Bored to suit construction (Type M) minimum plain bore only carried in stock



# 3/8" pitch (L) stock pulley dimensions positive drive pulleys

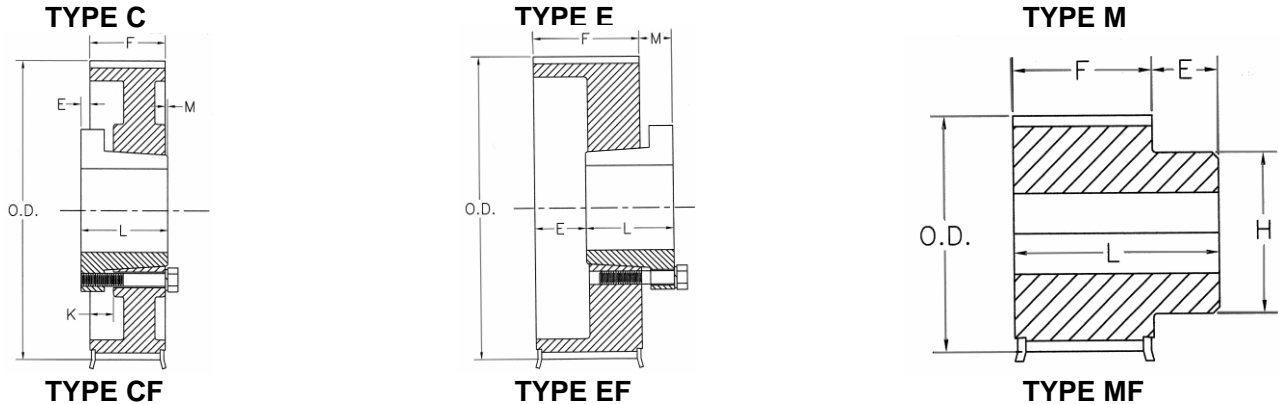
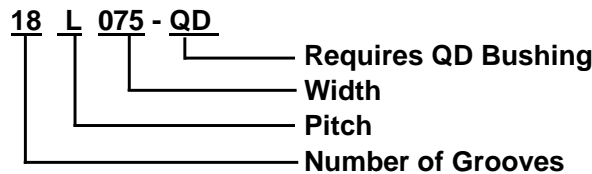


Figure Following Letter in Column Headed "TYPE" in Table Below Indicates Sheave Construction  
 1 - Solid, No Web. 2 - Web. 3 - Arms "F" Indicates Flanged Pulley

### Part Number Explanation



### FOR BELTS 3/4 INCH WIDE • 3/8 INCH PITCH (L075)

Part Number	Number of Grooves	Pitch Diameter	Outside Diameter		Bush	Type	Dimensions, Inches						Bore Range		Weight Lbs (Approx.)
			Pulley	Flange			E	L	M	K	H	F	Min	Max *	
12L075MPB	12	1.432	1.402	1-11/16	*	M1F	1/2	1-1/2			1-1/16	1	3/8	13/16	.4
13L075MPB	13	1.522	1.552	1-11/16	*	M1F	1/2	1-1/2			1-1/8	1	3/8	13/16	.4
14L075MPB	14	1.671	1.641	1-15/16	*	M1F	1/2	1-1/2			1-1/8	1	3/8	7/8	.5
15L075MPB	15	1.790	1.760	1-15/16	*	M1F	1/2	1-1/2			1-1/8	1	1/2	7/8	.6
16L075MPB	16	1.910	1.880	2-3/16	*	M1F	5/8	1-5/8			1-7/16	1	1/2	1-1/8	.7
17L075MPB	17	2.029	1.999	2-3/16	*	M1F	1/2	1-1/2			1-7/16	1	1/2	1-1/8	.8
18L075MPB	18	2.149	2.119	2-3/8	*	M1F	5/8	1-5/8			1-9/16	1	1/2	1-3/16	.9
18L075QD	18	2.149	2.119	2-3/8	JAr	E1F	7/16	1	7/16			1	1/2	1-3/16	.5
19L075MPB	19	2.268	2.238	2-3/8	*	M1F	5/8	1-5/8			1-5/8	1	1/2	1-3/16	1.1
20L075MPB	20	2.387	2.357	2-5/8	*	M1F	5/8	1-5/8			1-11/16	1	1/2	1-1/4	1.5
20L075QD	20	2.387	2.357	2-5/8	JAr	E1F	7/16	1	7/16			1	1/2	1-3/16	.7
21L075MPB	21	2.507	2.477	2-3/4	*	M1F	5/8	1-5/8			1-7/8	1	1/2	1-5/16	1.6
22L075MPB	22	2.626	2.596	3	*	M1F	3/4	1-3/4			2	1	1/2	1-1/2	1.8
22L075QD	22	2.626	2.596	3	JAr	E1F	7/16	1	7/16			1	1/2	1-3/16	.8
24L075MPB	24	2.865	2.835	3-1/4	*	M1F	3/4	1-3/4			2-1/4	1	5/8	1-5/8	2.1
24L075QD	24	2.865	2.835	3-1/4	SH	E1F	3/16	1-1/4	1/2			1	1/2	1-5/8	.8
26L075MPB	26	3.104	3.074	3-5/16	*	M1F	3/4	1-3/4			2-1/4	1	5/8	1-5/8	2.8
26L075QD	26	3.104	3.074	3-5/16	SH	E1F	3/16	1-1/4	1/2			1	1/2	1-5/8	1.1
28L075MPB	28	3.342	3.312	3-9/16	*	M1F	3/4	1-3/4			2-1/4	1	5/8	1-5/8	3.1
28L075QD	28	3.342	3.312	3-9/16	SH	E1F	3/16	1-1/4	1/2			1	1/2	1-5/8	1.3
30L075MPB	30	3.581	3.551	3-3/4	*	M1F	3/4	1-3/4			2-1/4	1	5/8	1-5/8	3.4
30L075QD	30	3.581	3.551	3-3/4	SDS	E1F	1/4	1-5/16	9/16			1	1/2	1-15/16	1.5
32L075MPB	32	3.820	3.790	4	*	M1F	7/8	1-7/8			2-9/16	1	5/8	1-7/8	3.7
32L075QD	32	3.820	3.790	4	SDS	E1F	1/4	1-5/16	9/16			1	1/2	1-15/16	1.7
36L075QD	36	4.297	4.267	4-17/32	SDS	C1F	5/16	1-5/16	0	1/4		1	1/2	1-15/16	2.3
40L075QD	40	4.775	4.745	5	SDS	C1F	5/16	1-5/16	0	1/4		1	1/2	1-15/16	3.1
44L075QD	44	5.252	5.222	5-31/64	SDS	C1F	5/16	1-5/16	0	1/4		1	1/2	1-15/16	4.0
48L075QD	48	5.730	5.700	6	SDS	C1F	5/16	1-5/16	0	1/4		1	1/2	1-15/16	4.6
60L075QD	60	7.162	7.132		SD	C3	11/16	1-13/16	1/8	+1/8		1	1/2	1-15/16	4.7
72L075QD	72	8.594	8.564		SD	C3	11/16	1-13/16	1/8	+1/8		1	1/2	1-15/16	6.5
84L075QD	84	10.027	9.997		SD	C3	11/16	1-13/16	1/8	+1/8		1	1/2	1-15/16	6.3
96L075QD	96	11.459	11.429		SD	C3	11/16	1-13/16	1/8	+1/8		1	1/2	1-15/16	9.4
120L075QD	120	14.324	14.294		SD	C3	11/16	1-13/16	1/8	+1/8		1	1/2	1-15/16	13.8

\*Bored to suit construction (Type M) minimum plain bore only carried in stock

Weight shown is for pulley without bushing

"r" = Reverse mount only

\* Maximum bore without keyway



# 3/8" pitch (L) stock pulley dimensions positive drive pulleys

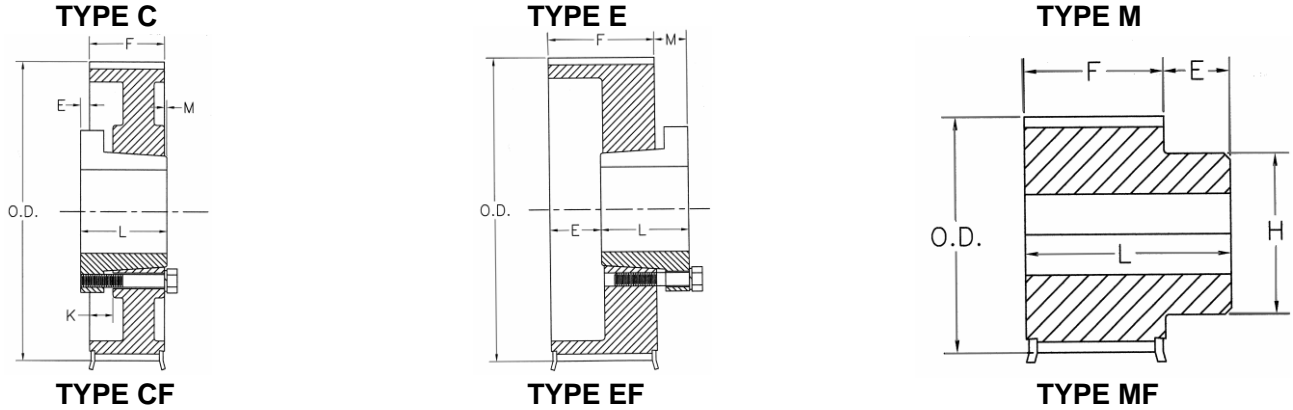
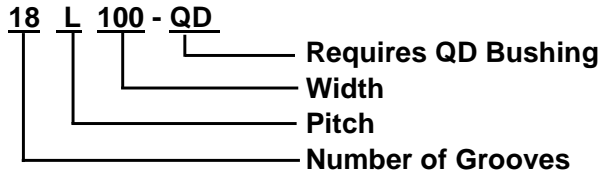


Figure Following Letter in Column Headed "TYPE" in Table Below Indicates Sheave Construction  
1 - Solid, No Web. 2 - Web. 3 - Arms "F" Indicates Flanged Pulley

### Part Number Explanation



### FOR BELTS 1 INCH WIDE • 3/8 INCH PITCH (L100)

Part Number	Number of Grooves	Pitch Diameter	Outside Diameter		Bush	Type	Dimensions, Inches					Bore Range		Weight Lbs □ (Approx.)	
			Pulley	Flange			E	L	M	K	H	F	Min		Max *
13L100MPB	13	1.552	1.522	1-3/4	*	M1F	1/2	1-3/4			1-1/8	1-1/4	3/8	7/8	.5
14L100MPB	14	1.671	1.641	1-15/16	*	M1F	1/2	1-3/4			1-1/8	1-1/4	3/8	7/8	.6
15L100MPB	15	1.790	1.760	1-15/16	*	M1F	1/2	1-3/4			1-1/8	1-1/4	1/2	7/8	.7
16L100MPB	16	1.910	1.880	2-3/16	*	M1F	5/8	1-7/8			1-7/16	1-1/4	1/2	1-1/8	.8
17L100MPB	17	2.029	1.999	2-3/16	*	M1F	1/2	1-3/4			1-7/16	1-1/4	1/2	1-1/8	1.0
18L100MPB	18	2.149	2.119	2-3/8	*	M1F	5/8	1-7/8			1-5/8	1-1/4	1/2	1-3/16	1.1
18L100QD	18	2.149	2.119	2-3/8	JAr	E1F	11/16	1	7/16			1-1/4	1/2	1-3/16	.7
19L100MPB	19	2.268	2.238	2-3/8	*	M1F	5/8	1-7/8			1-3/4	1-1/4	1/2	1-3/16	1.4
20L100MPB	20	2.387	2.357	2-5/8	*	M1F	5/8	1-7/8			1-11/16	1-1/4	1/2	1-1/4	1.75
20L100QD	20	2.387	2.357	2-5/8	JAr	E1F	11/16	1	7/16			1-1/4	1/2	1-3/16	.9
21L100MPB	21	2.507	2.477	2-3/4	*	M1F	5/8	1-7/8			1-7/8	1-1/4	5/8	1-5/16	1.8
22L100MPB	22	2.626	2.596	3	*	M1F	3/4	2			2	1-1/4	5/8	1-1/2	2.0
22L100QD	22	2.626	2.596	3	JAr	E1F	11/16	1	7/16			1-1/4	1/2	1-3/16	1.0
24L100MPB	24	2.865	2.835	3-1/4	*	M1F	3/4	2			2-1/4	1-1/4	5/8	1-5/8	2.5
24L100QD	24	2.865	2.835	3-1/4	SH	E1F	7/16	1-1/4	1/2			1-1/4	1/2	1-5/8	1.0
26L100MPB	26	3.104	3.074	3-5/16	*	M1F	7/8	2-1/8			2-1/2	1-1/4	5/8	1-7/8	3.3
26L100QD	26	3.104	3.074	3-5/16	SH	E1F	7/16	1-1/4	1/2			1-1/4	1/2	1-5/8	1.3
28L100MPB	28	3.342	3.312	3-9/16	*	M1F	1	2-1/4			2-1/2	1-1/4	5/8	2	3.6
28L100QD	28	3.342	3.312	3-9/16	SH	E1F	7/16	1-1/4	1/2			1-1/4	1/2	1-5/8	1.7
30L100MPB	30	3.581	3.551	3-3/4	*	M1F	1	2-1/4			2-15/16	1-1/4	5/8	2-1/8	4.0
30L100QD	30	3.581	3.551	3-3/4	SDS	E1F	1/2	1-5/16	9/16			1-1/4	1/2	1-15/16	2.0
32L100MPB	32	3.820	3.790	4	*	M1F	1	2-1/4			3-1/8	1-1/4	5/8	1-7/8	4.4
32L100QD	32	3.820	3.790	4	SDS	E1F	1/2	1-5/16	9/16			1-1/4	1/2	1-15/16	2.1
36L100QD	36	4.297	4.267	4-17/32	SDS	C1F	5/16	1-5/16	0	1/2		1-1/4	1/2	1-15/16	2.6
40L100QD	40	4.775	4.745	5	SDS	C1F	1/16	1-5/16	0	1/2		1-1/4	1/2	1-15/16	3.4
44L100QD	44	5.252	5.222	5-31/64	SDS	C1F	1/16	1-5/16	0	1/2		1-1/4	1/2	1-15/16	4.2
48L100QD	48	5.730	5.700	6	SDS	C1F	1/16	1-5/16	0	1/2		1-1/4	1/2	1-15/16	5.1
60L100QD	60	7.162	7.132		SD	C3	9/16	1-13/16	0	0		1-1/4	1/2	1-15/16	6.0
72L100QD	72	8.594	8.564		SD	C3	9/16	1-13/16	0	0		1-1/4	1/2	1-15/16	7.5
84L100QD	84	10.027	9.997		SD	C3	9/16	1-13/16	0	0		1-1/4	1/2	1-15/16	6.9
96L100QD	96	11.459	11.429		SD	C3	9/16	1-13/16	0	0		1-1/4	1/2	1-15/16	11.2
120L100QD	120	14.324	14.294		SD	C3	9/16	1-13/16	0	0		1-1/4	1/2	1-15/16	16.0

\*Bored to suit construction (Type M) minimum plain bore only carried in stock

Weight shown is for pulley without bushing

"r" = Reverse mount only

\* Maximum bore without keyway



# 1/2" pitch (H) stock pulley dimensions positive drive pulleys

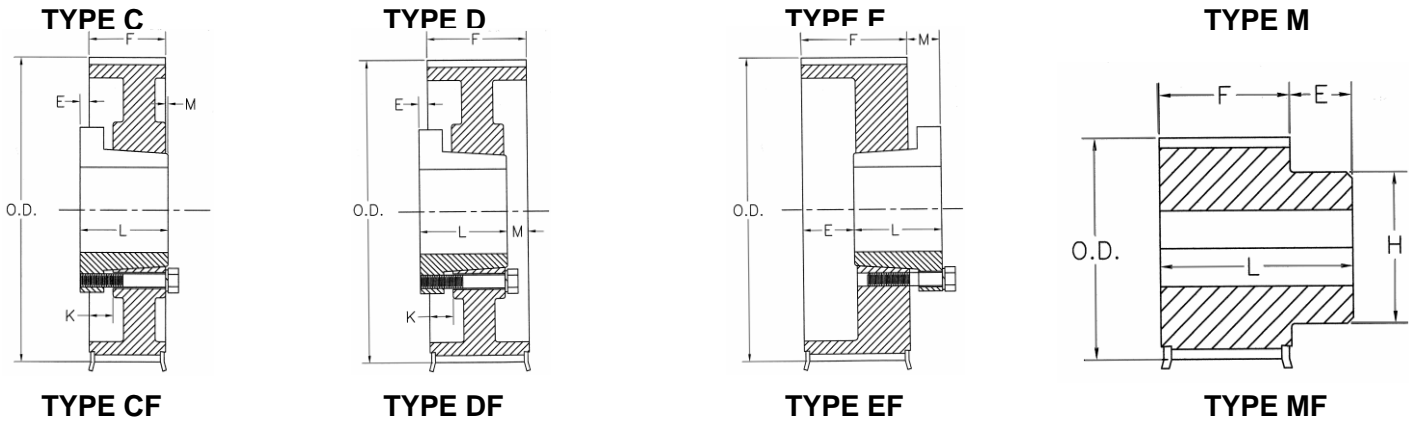
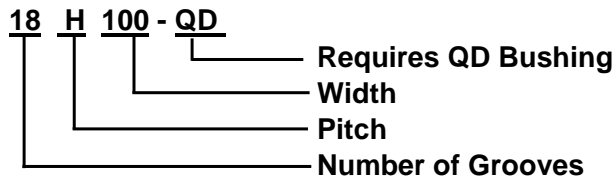


Figure Following Letter in Column Headed "TYPE" in Table Below Indicates Sheave Construction  
1 - Solid, No Web. 2 - Web. 3 - Arms "F" Indicates Flanged Pulley

## Part Number Explanation



**FOR BELTS 1 INCH WIDE • 1/2 INCH PITCH (H100) ALSO USE FOR 3/4 INCH (H075) BELTS**

Part Number	Number of Grooves	Pitch Diameter	Outside Diameter		Bush	Type	Dimensions, Inches						Bore Range		Weight Lbs (Approx.)	
			Pulley	Flange			E	L	M	K	H	F	Min	Max *		
14H100MPB	14	2.228	2.174	2-3/8	*	M1F	5/8	1-15/16				1-1/2	1-5/16	5/8	1	1.4
14H100QD	14	2.228	2.174	2-3/8	JAr	E1F	3/4	1	7/16				1-5/16	1/2	1-3/16	1.0
16H100MPB	16	2.546	2.492	2-3/4	*	M1F	11/16	2				2	1-5/16	5/8	1-1/4	2.0
16H100QD	16	2.546	2.492	2-3/4	JAr	E1F	3/4	1	7/16				1-5/16	1/2	1-3/16	1.5
17H100MPB	17	2.706	2.652	3	*	M1F	11/16	2				2	1-5/16	5/8	1-1/4	2.6
18H100MPB	18	2.865	2.811	3-1/4	*	M1F	11/16	2				2-1/4	1-5/16	5/8	1-1/2	2.8
18H100QD	18	2.865	2.811	3-1/4	SH	E1F	9/16	1-1/4	1/2				1-5/16	1/2	1-5/8	1.2
19H100MPB	19	3.024	2.970	3-1/4	*	M1F	13/16	2-1/8				2-1/4	1-5/16	5/8	1-9/16	2.9
20H100MPB	20	3.183	3.129	3-5/16	*	M1F	7/8	2-3/16				2-1/2	1-5/16	5/8	1-5/8	3.4
20H100QD	20	3.183	3.129	3-5/16	SH	E1F	9/16	1-1/4	1/2				1-5/16	1/2	1-5/8	1.2
21H100MPB	21	3.342	3.288	3-9/16	*	M1F	1	2-5/16				2-1/2	1-5/16	3/4	1-11/16	3.8
22H100MPB	22	3.501	3.447	3-3/4	*	M1F	1	2-5/16				2-7/8	1-5/16	3/4	1-7/8	4.3
22H100QD	22	3.501	3.447	3-3/4	SDS	E1F	9/16	1-5/16	9/16				1-5/16	1/2	1-15/16	1.4
24H100MPB	24	3.820	3.766	4	*	M1F	1	2-5/16				3-1/8	1-5/16	3/4	2-1/8	5.3
24H100QD	24	3.820	3.766	4	SDS	E1F	9/16	1-5/16	9/16				1-5/16	1/2	1-15/16	1.7
26H100MPB	26	4.138	4.084	4-3/8	*	M1F	1-1/8	2-7/16				3-1/2	1-5/16	3/4	2-1/2	6.7
26H100QD	26	4.138	4.084	4-3/8	SDS	D1F	1/16	1-5/16	9/16	1/2			1-5/16	1/2	1-15/16	2.0
28H100MPB	28	4.456	4.402	4-11/16	*	M1F	1-1/8	2-7/16				3-5/8	1-5/16	3/4	2-5/8	8.0
28H100QD	28	4.456	4.402	4-11/16	SDS	D1F	1/16	1-5/16	1/16	1/2			1-5/16	1/2	1-15/16	2.6
30H100QD	30	4.775	4.721	5	SD	D1F	9/16	1-13/16	1/16	0			1-5/16	1/2	1-15/16	3.0
32H100QD	32	5.093	5.039	5-5/16	SK	D1F	5/8	1-7/8	1/16	0			1-5/16	1/2	2-1/2	4.9
36H100QD	36	5.730	5.678	5-61/64	SK	D1F	5/8	1-7/8	1/16	0			1-5/16	1/2	2-1/2	3.6
40H100QD	40	6.366	6.312	6-9/16	SK	D1F	5/8	1-7/8	1/16	0			1-5/16	1/2	2-1/2	8.2
44H100QD	44	7.003	6.953	7-1/4	SK	D1F	5/8	1-7/8	1/16	0			1-5/16	1/2	2-1/2	10.0
48H100QD	48	7.639	7.585	7-7/8	SK	D2F	5/8	1-7/8	1/16	0			1-5/16	1/2	2-1/2	12.5
60H100QD	60	9.549	9.495		SF	C3	5/8	2	1/16	0			1-5/16	1/2	2-3/4	10.9
72H100QD	72	11.459	11.405		SF	C3	5/8	2	1/16	0			1-5/16	1/2	2-3/4	14.7
84H100QD	84	13.369	13.315		SF	C3	5/8	2	1/16	0			1-5/16	1/2	2-3/4	18.0
96H100QD	96	15.279	15.225		SF	C3	5/8	2	1/16	0			1-5/16	1/2	2-3/4	22.0
120H100QD	120	19.099	19.045		SF	C3	5/8	2	1/16	0			1-5/16	1/2	2-3/4	30.5

\*Bored to suit construction (Type M) minimum plain bore only carried in stock

Weight shown is for pulley without bushing

"r" = Reverse mount only

• Maximum bore without keyway





# 1/2" pitch (H) stock pulley dimensions positive drive pulleys

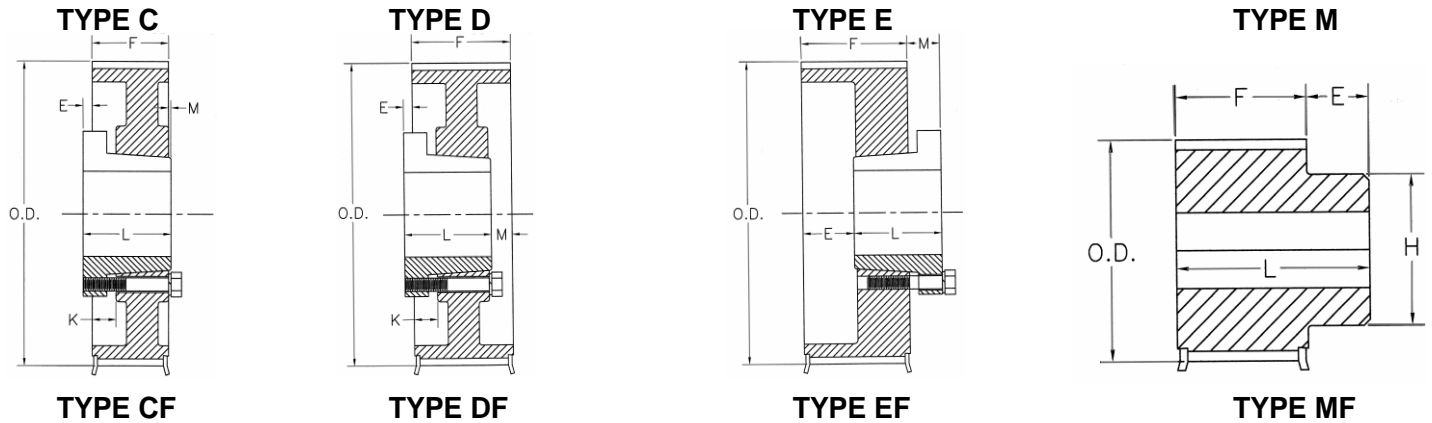
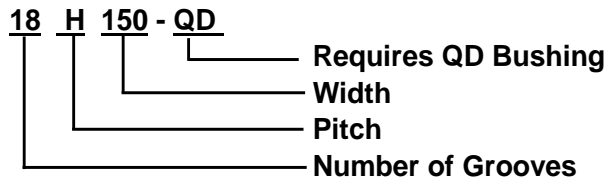


Figure Following Letter in Column Headed "TYPE" in Table Below Indicates Sheave Construction  
 1 - Solid, No Web. 2 - Web. 3 - Arms "F" Indicates Flanged Pulley

### Part Number Explanation



### FOR BELTS 1-1/2 INCH WIDE • 1/2 INCH PITCH (H150)

Part Number	Number of Grooves	Pitch Diameter	Outside Diameter		Bush	Type	Dimensions, Inches						Bore Range		Weight Lbs □ (Approx.)	
			Pulley	Flange			E	L	M	K	H	F	Min	Max •		
14H150MPB	14	2.228	2.174	2-3/8	*	M1F	5/8	2-7/16				1-1/2	1-13/16	3/4	1	1.8
14H150QD	14	2.228	2.174	2-3/8	JAr	E1F	1-1/4	1	7/16				1-13/16	1/2	1-3/16	1.5
16H150MPB	16	2.546	2.492	2-3/4	*	M1F	3/4	2-9/16				2	1-13/16	3/4	1-1/4	2.5
16H150QD	16	2.546	2.492	2-3/4	JAr	E1F	1-1/4	1	7/16				1-13/16	1/2	1-3/16	2.0
17H150MPB	17	2.706	2.652	3	*	M1F	3/4	2-9/16				2	1-13/16	3/4	1-1/4	2.8
18H150MPB	18	2.865	2.811	3-1/4	*	M1F	3/4	2-9/16				2-1/4	1-13/16	3/4	1-1/2	3.3
18H150QD	18	2.865	2.811	3-1/4	SHr	E1F	1-1/16	1-1/4	1/2				1-13/16	1/2	1-5/8	1.3
19H150MPB	19	3.024	2.970	3-1/4	*	M1F	7/8	2-5/8				2-1/4	1-13/16	3/4	1-9/16	3.9
20H150MPB	20	3.183	3.129	3-5/16	*	M1F	7/8	2-11/16				2-1/2	1-13/16	3/4	1-5/8	4.3
20H150QD	20	3.183	3.129	3-5/16	SHr	E1F	1-1/16	1-1/4	1/2				1-13/16	1/2	1-5/8	1.8
21H150MPB	21	3.342	3.288	3-9/16	*	M1F	15/16	2-3/4				2-1/2	1-13/16	3/4	1-11/16	5.3
22H150MPB	22	3.501	3.447	3-3/4	*	M1F	1	2-13/16				2-7/8	1-13/16	3/4	1-7/8	5.4
22H150QD	22	3.501	3.447	3-3/4	SDr	E1F	9/16	1-13/16	9/16				1-13/16	1/2	1-15/16	2.0
24H150MPB	24	3.820	3.766	4	*	M1F	1	2-13/16				3-1/8	1-13/16	3/4	2-1/8	6.5
24H150QD	24	3.820	3.766	4	SDr	E1F	9/16	1-13/16					1-13/16	1/2	1-15/16	2.6
26H150MPB	26	4.138	4.084	4-3/8	*	M1F	1	2-13/16				3-1/2	1-13/16	3/4	2-1/2	8.4
26H150QD	26	4.138	4.084	4-3/8	SD	D1F	1/16	1-13/16	1/16	1/2			1-13/16	1/2	1-15/16	3.0
28H150MPB	28	4.456	4.402	4-11/16	*	M1F	1-1/8	2-15/16				3-5/8	1-13/16	3/4	2-5/8	9.3
28H150QD	28	4.456	4.402	4-11/16	SD	D1F	1/16	1-13/16	1/16	1/2			1-13/16	1/2	1-15/16	4.0
30H150QD	30	4.775	4.721	5	SD	D1F	1/16	1-13/16	1/16	1/2			1-13/16	1/2	1-15/16	4.9
32H150QD	32	5.093	5.039	5-5/16	SK	C1F	1/16	1-7/8	0	9/16			1-13/16	1/2	2-1/2	5.8
36H150QD	36	5.730	5.678	5-61/64	SK	C1F	1/16	1-7/8	0	9/16			1-13/16	1/2	2-1/2	7.0
40H150QD	40	6.366	6.312	6-9/16	SK	C1F	1/16	1-7/8	0	9/16			1-13/16	1/2	2-1/2	9.2
44H150QD	44	7.003	6.953	7-1/4	SK	C1F	1/16	1-7/8	0	9/16			1-13/16	1/2	2-1/2	11.0
48H150QD	48	7.639	7.585	7-7/8	SK	C2F	1/16	1-7/8	0	9/16			1-13/16	1/2	2-1/2	13.7
60H150QD	60	9.549	9.495		SF	D3	3/8	2	3/16	1/4			1-13/16	1/2	2-3/4	12.5
72H150QD	72	11.459	11.405		SF	D3	3/8	2	3/16	1/4			1-13/16	1/2	2-3/4	16.7
84H150QD	84	13.369	13.315		SF	D3	3/8	2	3/16	1/4			1-13/16	1/2	2-3/4	20.8
96H150QD	96	15.279	15.225		SF	D3	3/8	2	3/16	1/4			1-13/16	1/2	2-3/4	25.0
120H150QD	120	19.099	19.045		SF	D3	3/8	2	3/16	1/4			1-13/16	1/2	2-3/4	34.5

\*Bored to suit construction (Type M) minimum plain bore only carried in stock Weight shown is for pulley without bushing  
 "r" = Reverse mount only • Maximum bore without keyway



# 1/2" pitch (H) stock pulley dimensions positive drive pulleys

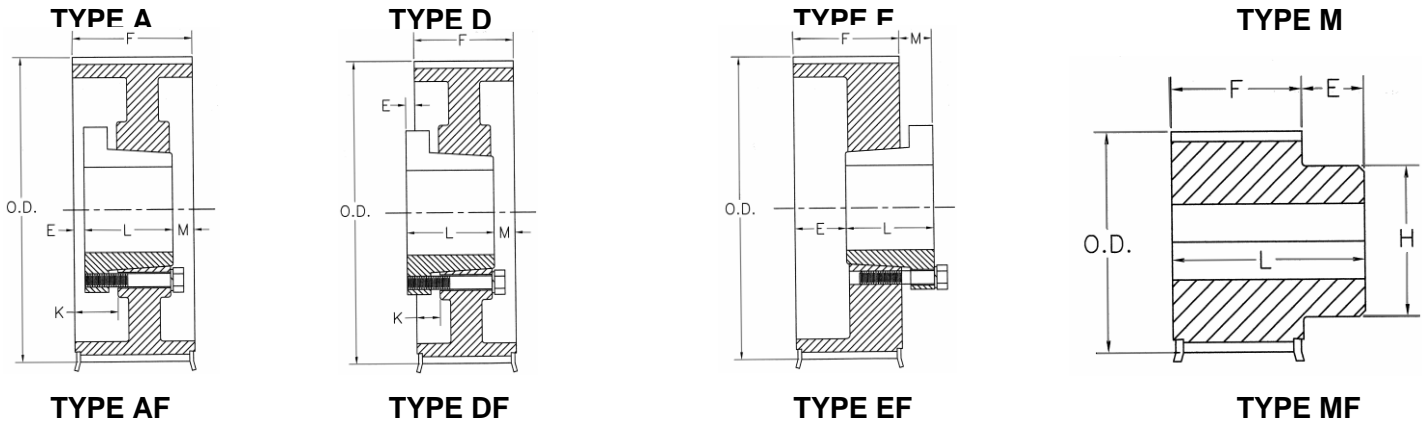
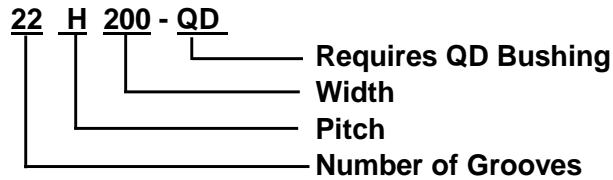


Figure Following Letter in Column Headed "TYPE" in Table Below Indicates Sheave Construction  
1 - Solid, No Web. 2 - Web. 3 - Arms "F" Indicates Flanged Pulley

### Part Number Explanation



## FOR BELTS 2 INCH WIDE • 1/2 INCH PITCH (H200)

Part Number	Number of Grooves	Pitch Diameter	Outside Diameter		Bush	Type	Dimensions, Inches						Bore Range		Weight Lbs □ (Approx.)
			Pulley	Flange			E	L	M	K	H	F	Min	Max •	
14H200MPB	14	2.228	2.174	2-3/8	*	M1F	5/8	2-31/32			1-1/2	2-11/32	3/4	1	2.2
14H200QD	14	2.228	2.174	2-3/8	JAr	E1F	1-25/32	1	7/16			2-11/32	5/8	1-3/16	2.0
16H200MPB	16	2.546	2.492	2-3/4	*	M1F	3/4	3-3/32			2	2-11/32	3/4	1-1/4	3.1
16H200QD	16	2.546	2.492	2-3/4	JAr	E1F	1-25/32	1	7/16			2-11/32	5/8	1-3/16	2.6
17H200MPB	17	2.706	2.652	3	*	M1F	3/4	3-3/32			2	2-11/32	3/4	1-1/4	3.4
18H200MPB	18	2.865	2.811	3-1/4	*	M1F	3/4	3-3/32			2-1/4	2-11/32	3/4	1-1/2	3.7
18H200QD	18	2.865	2.811	3-1/4	SHr	E1F	1-19/32	1-1/4	1/2			2-11/32	1/2	1-5/8	1.6
19H200MPB	19	3.024	2.970	3-1/4	*	M1F	7/8	3-5/32			2-1/4	2-11/32	3/4	1-9/16	3.9
20H200MPB	20	3.183	3.129	3-5/16	*	M1F	7/8	3-5/32			2-1/2	2-11/32	3/4	1-5/8	4.9
20H200QD	20	3.183	3.129	3-5/16	SHr	E1F	1-19/32	1-1/4	1/2			2-11/32	1/2	1-5/8	2.2
21H200MPB	21	3.342	3.288	3-9/16	*	M1F	7/8	3-5/32			2-1/4	2-11/32	1	1-11/16	6.1
22H200MPB	22	3.501	3.447	3-3/4	*	M1F	1	3-11/32			2-7/8	2-11/32	1	1-7/8	6.3
22H200QD	22	3.501	3.447	3-3/4	SDr	E1F	1-3/32	1-13/16	9/16			2-11/32	1/2	1-15/16	2.5
24H200MPB	24	3.820	3.766	4	*	M1F	1	3-11/32			3-1/8	2-11/32	1	2-1/8	7.5
24H200QD	24	3.820	3.766	4	SDr	E1F	1-3/32	1-13/16	9/16			2-11/32	1/2	1-15/16	3.0
26H200MPB	26	4.138	4.084	4-3/8	*	M1F	1-1/8	3-15/32			3-1/2	2-11/32	1	2-1/2	9.5
26H200QD	26	4.138	4.084	4-3/8	SD	A1F	1/16	1-13/16	15/32	5/8		2-11/32	1/2	1-15/16	3.9
28H200MPB	28	4.456	4.402	4-11/16	*	M1F	1-1/8	3-15/32			3-5/8	2-11/32	1	2-5/8	11.0
28H200QD	28	4.456	4.402	4-11/16	SD	A1F	1/16	1-13/16	15/32	5/8		2-11/32	1/2	1-15/16	4.7
30H200QD	30	4.775	4.721	5	SD	D1F	1/16	1-13/16	19/32	1/2		2-11/32	1/2	1-15/16	5.7
32H200QD	32	5.093	5.039	5-5/16	SK	D1F	1/8	1-7/8	19/32	1/2		2-11/32	1/2	2-1/2	6.7
36H200QD	36	5.730	5.678	5-61/64	SK	D1F	1/8	1-7/8	19/32	1/2		2-11/32	1/2	2-1/2	8.0
40H200QD	40	6.366	6.312	6-9/16	SK	D1F	1/8	1-7/8	19/32	1/2		2-11/32	1/2	2-1/2	10.2
44H200QD	44	7.003	6.953	7-1/4	SK	D1F	1/8	1-7/8	19/32	1/2		2-11/32	1/2	2-1/2	12.5
48H200QD	48	7.639	7.585	7-7/8	SF	D1F	1/8	2	15/32	1/2		2-11/32	1/2	2-3/4	14.1
60H200QD	60	9.549	9.495		SF	D3	1/8	2	15/32	1/2		2-11/32	1/2	2-3/4	14.6
72H200QD	72	11.459	11.405		SF	D3	1/8	2	15/32	1/2		2-11/32	1/2	2-3/4	19.4
84H200QD	84	13.369	13.315		SF	D3	1/8	2	15/32	1/2		2-11/32	1/2	2-3/4	24.2
96H200QD	96	15.279	15.225		E	D3	3/8	2-5/8	3/32	1/2		2-11/32	7/8	3-7/16	32.0
120H200QD	120	19.099	19.045		E	D3	3/8	2-5/8	3/32	1/2		2-11/32	7/8	3-7/16	43.0

\*Bored to suit construction (Type M) minimum plain bore only carried in stock

Weight shown is for pulley without bushing

"r" = Reverse mount only

• Maximum bore without keyway



# 1/2" pitch (H) stock pulley dimensions positive drive pulleys

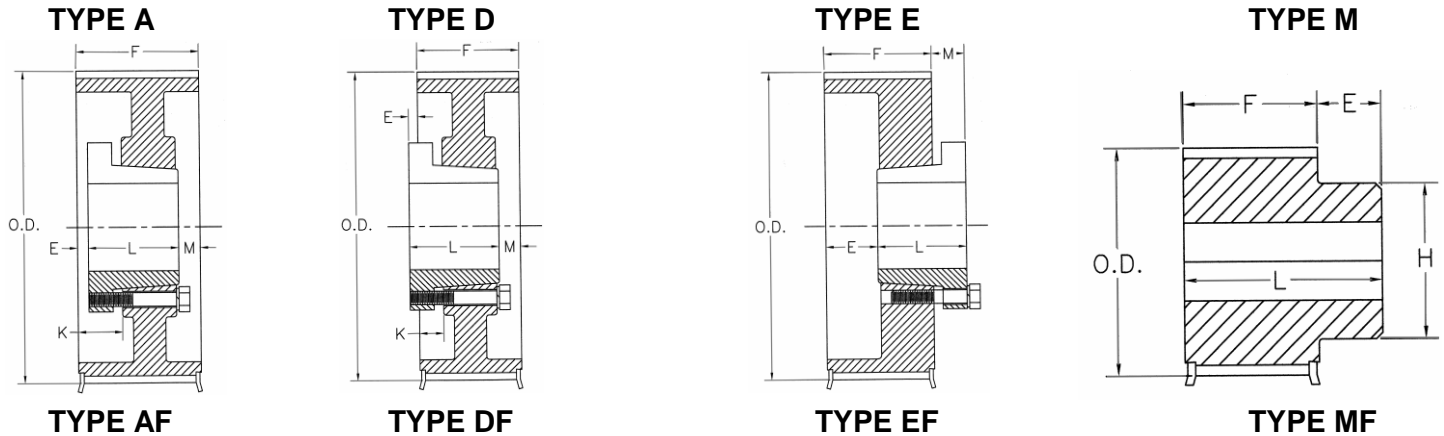
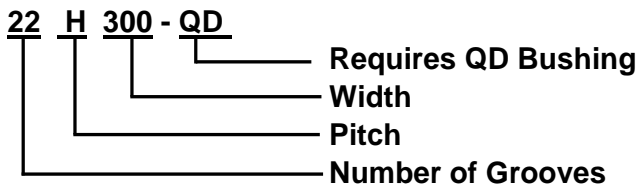


Figure Following Letter in Column Headed "TYPE" in Table Below Indicates Sheave Construction  
1 - Solid, No Web. 2 - Web. 3 - Arms "F" Indicates Flanged Pulley

### Part Number Explanation



### FOR BELTS 3 INCH WIDE • 1/2 INCH PITCH (H300)

Part Number	Number of Grooves	Pitch Diameter	Outside Diameter		Bush	Type	Dimensions, Inches						Bore Range		Weight Lbs □ (Approx.)	
			Pulley	Flange			E	L	M	K	H	F	Min	Max •		
16H300MPB	16	2.546	2.492	2-3/4	*	M1F	3/4	4-1/8				2	3-3/8	3/4	1-1/4	4.2
17H300MPB	17	2.706	2.652	3	*	M1F	3/4	4-1/8				2	3-3/8	3/4	1-1/4	4.3
18H300MPB	18	2.865	2.811	3-1/4	*	M1F	3/4	4-1/8				2-1/4	3-3/8	3/4	1-1/2	4.4
19H300MPB	19	3.024	2.970	3-1/4	*	M1F	7/8	4-1/4				2-1/4	3-3/8	3/4	1-9/16	5.0
20H300MPB	20	3.183	3.129	3-5/16	*	M1F	7/8	4-1/4				2-1/2	3-3/8	3/4	1-5/8	7.4
21H300MPB	21	3.342	3.288	3-9/16	*	M1F	15/16	4-15/16				2-1/2	3-3/8	1	1-5/8	8.2
22H300MPB	22	3.501	3.447	3-3/4	*	M1F	1	4-3/8				2-7/8	3-3/8	1-1/8	1-7/8	8.7
22H300QD	22	3.501	3.447	3-3/4	SDr	E1F	2-1/8	1-13/16	9/16				3-3/8	1/2	1-15/16	4.1
24H300MPB	24	3.820	3.766	4	*	M1F	1	4-3/8				3-1/8	3-3/8	1-1/8	2-1/8	10.0
24H300QD	24	3.820	3.766	4	SDr	E1F	2-1/8	1-13/16	9/16				3-3/8	1/2	1-15/16	4.1
26H300MPB	26	4.138	4.084	4-3/8	*	M1F	1-1/8	4-1/2				3-1/2	3-3/8	1-1/8	2-1/2	12.3
26H300QD	26	4.138	4.084	4-3/8	SD	A1F	1/16	1-13/16	1-1/2	5/8			3-3/8	1/2	1-15/16	5.0
28H300MPB	28	4.456	4.402	4-11/16	*	M1F	1-1/8	4-1/2				3-5/8	3-3/8	1-1/8	2-5/8	15.0
28H300QD	28	4.456	4.402	4-11/16	SD	A1F	1/16	1-13/16	1-1/2	5/8			3-3/8	1/2	1-15/16	6.0
30H300QD	30	4.775	4.721	5	SD	A1F	7/16	1-13/16	1-1/8	1			3-3/8	1/2	1-15/16	7.2
32H300QD	32	5.093	5.039	5-5/16	SK	A1F	3/8	1-7/8	1-1/8	1			3-3/8	1/2	2-1/2	8.4
36H300QD	36	5.730	5.678	5-61/64	SK	A1F	3/8	1-7/8	1-1/8	1			3-3/8	1/2	2-1/2	10.0
40H300QD	40	6.366	6.312	6-9/16	SK	A1F	3/8	1-7/8	1-1/8	1			3-3/8	1/2	2-1/2	12.2
44H300QD	44	7.003	6.953	7-1/4	SK	A1F	3/8	1-7/8	1-1/8	1			3-3/8	1/2	2-1/2	15.5
48H300QD	48	7.639	7.585	7-7/8	SF	A1F	3/8	2	1	1			3-3/8	1/2	2-3/4	16.6
60H300QD	60	9.549	9.495		SF	A3	3/8	2	1	1			3-3/8	1/2	2-3/4	17.9
72H300QD	72	11.459	11.405		SF	A3	3/8	2	1	1			3-3/8	1/2	2-3/4	23.5
84H300QD	84	13.369	13.315		SF	A3	3/8	2	1	1			3-3/8	1/2	2-3/4	29.0
96H300QD	96	15.279	15.225		E	D3	1/8	2-5/8	7/8	3/4			3-3/8	7/8	3-7/16	38.0
120H300QD	120	19.099	19.045		E	D3	1/8	2-5/8	7/8	3/4			3-3/8	7/8	3-7/16	51.0

\*Bored to suit construction (Type M) minimum plain bore only carried in stock Weight shown is for pulley without bushing  
"r" = Reverse mount only • Maximum bore without keyway



# 7/8" pitch (XH) stock pulley dimensions positive drive pulleys

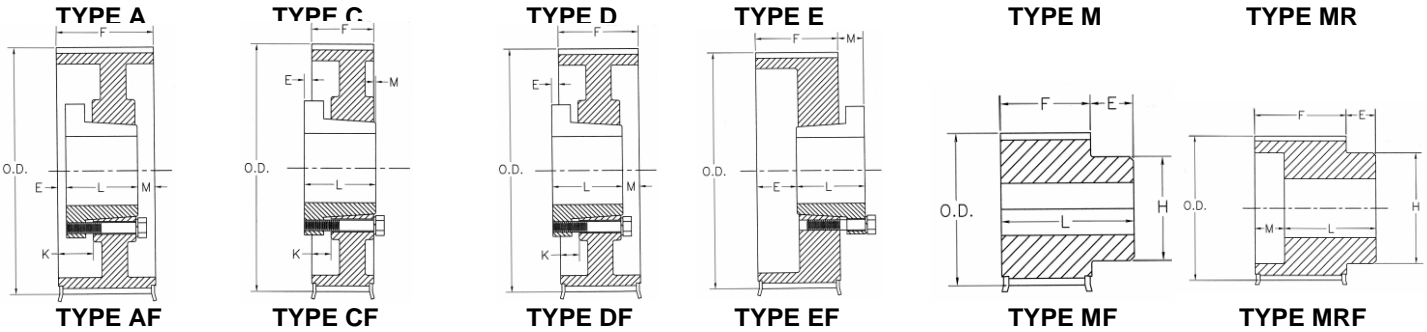


Figure Following Letter in Column Headed "TYPE" in Table Below Indicates Sheave Construction  
1 - Solid, No Web. 2 - Web. 3 - Arms "F" Indicates Flanged Pulley

### FOR BELTS 2 INCH WIDE • 7/8 INCH PITCH (XH200)

Part Number	Number of Grooves	Pitch Diameter	Outside Diameter		Bush	Type	Dimensions, Inches						Bore Range		Weight Lbs □ (Approx.)	
			Pulley	Flange			E	L	M	K	H	F	Min	Max *		
18XH200MPB	18	5.013	4.903	5-1/2	*	M1F	7/8	3-7/16				3-11/16	2-9/16	1	2-5/8	9
18XH200QD	18	5.013	4.903	5-1/2	SKr	E1F	1-5/16	1-7/8	5/8				2-9/16	1/2	2-1/2	9
20XH200MPB	20	5.570	5.460	6-1/8	*	M1F	1	3-9/16				4-1/8	2-9/16	1	3-1/4	10
20XH200QD	20	5.570	5.460	6-1/8	SK	A1F	1/32	1-7/8	21/32	21/32			2-9/16	1/2	2-1/2	10
22XH200QD	22	6.127	6.017	6-21/32	SK	A1F	1/32	1-7/8	21/32	21/32			2-9/16	1/2	2-1/2	13
24XH200QD	24	6.685	6.575	7-7/32	SF	A1F	1/32	2	17/32	21/32			2-9/16	1/2	2-3/4	15
26XH200QD	26	7.241	7.131	7-25/32	SF	A1F	1/32	2	17/32	21/32			2-9/16	1/2	2-3/4	18
28XH200QD	28	7.799	7.689	8-11/32	E	D1F	13/32	2-5/8	11/32	15/32			2-9/16	7/8	3-7/16	24
30XH200QD	30	8.356	8.246	8.91	E	D1F	7/16	2-5/8	3/8	15/32			2-9/16	7/8	3-7/16	28
32XH200QD	32	8.913	8.803	9-7/16	E	D1F	13/32	2-5/8	11/32	15/32			2-9/16	7/8	3-7/16	31
36XH200QD	36	10.027	9.917	10.62	E	D2F	7/16	2-5/8	3/8	15/32			2-9/16	7/8	3-7/16	33
40XH200QD	40	11.141	11.031	11.71	F	C2F	1-1/32	3-5/8	1-3/2	1/32			2-9/16	1	3-15/16	51
48XH200QD	48	13.369	13.259		F	C2	1-1/32	3-5/8	1/32	1/32			2-9/16	1	3-15/16	58
60XH200QD	60	16.711	16.601		F	C3	1-1/32	3-5/8	1/32	1/32			2-9/16	1	3-15/16	59
72XH200QD	72	20.054	19.944		F	C3	1-1/32	3-5/8	1/32	1/32			2-9/16	1	3-15/16	70
84XH200QD	84	23.396	23.286		F	C3	1-1/32	3-5/8	1/32	1/32			2-9/16	1	3-13/16	79
96XH200QD	96	26.738	26.628		F	C3	1-1/32	3-5/8	1/32	1/32			2-9/16	1	3-13/16	94
120XH200QD	120	33.423	33.313		F	C3	1-1/32	3-5/8	1/32	1/32			2-9/16	1	3-13/16	118

### FOR BELTS 3 INCH WIDE • 7/8 INCH PITCH (XH300)

Part Number	Number of Grooves	Pitch Diameter	Outside Diameter		Bush	Type	Dimensions, Inches						Bore Range		Weight Lbs □ (Approx.)	
			Pulley	Flange			E	L	M	K	H	F	Min	Max *		
18XH300MPB	18	5.013	4.903	5-1/2	*	MRF	7/8	3-3/4	3/4			3-11/16	3-5/8	1	2-5/8	11
18XH300QD	18	5.013	4.903	5.56	SK	E1F	2-15/32	1-7/8	23/32				3-5/8	1/2	2-1/2	11
20XH300MPB	20	5.570	5.460	6-1/8	*	MRF	7/8	3-3/4	3/4			4-1/8	3-5/8	1	3-1/4	12
20XH300QD	20	5.570	5.460	6-1/8	SK	A1F	9/16	1-7/8	1-3/16	1-3/16			3-5/8	1/2	2-1/2	12
22XH300QD	22	6.127	6.017	6.66	SK	A1F	15/32	1-7/8	1-9/32	1-3/16			3-5/8	1/2	2-1/2	16
24XH300QD	24	6.685	6.575	7.22	SF	A1F	1/2	2	1-1/8	1-3/16			3-5/8	1/2	2-3/4	19
26XH300QD	26	7.241	7.131	7-25/32	SF	A1F	9/16	2	1-1/16	1-3/16			3-5/8	1/2	2-3/4	22
28XH300QD	28	7.799	7.689	8-11/32	E	A1F	1/8	2-5/8	7/8	1			3-5/8	7/8	3-7/16	27
30XH300QD	30	8.356	8.246	8-29/32	E	A1F	1/8	2-5/8	7/8	1			3-5/8	7/8	3-7/16	33
32XH300QD	32	8.913	8.803	9.44	E	A1F	3/32	2-5/8	29/32	1			3-5/8	7/8	3-7/16	36
40XH300QD	40	11.141	11.031	11.71	F	D2F	1/2	3-5/8	1/2	9/16			3-5/8	1	3-15/16	63
48XH300QD	48	13.369	13.259		F	D2	1/2	3-5/8	1/2	9/16			3-5/8	1	3-15/16	65
60XH300QD	60	16.711	16.601		F	D3	1/2	3-5/8	1/2	9/16			3-5/8	1	3-15/16	70
72XH300QD	72	20.054	19.944		J	D3	1-1/32	4-1/2	5/32	7/32			3-5/8	1-7/16	4-7/16	95
84XH300QD	84	23.369	23.286		J	D3	1-1/32	4-1/2	5/32	7/32			3-5/8	1-7/16	4-7/16	108
96XH300QD	96	26.738	26.628		J	D3	1-1/32	4-1/2	5/32	7/32			3-5/8	1-7/16	4-7/16	122
120XH300QD	120	33.423	33.313		J	D3	1-1/32	4-1/2	5/32	7/32			3-5/8	1-7/16	4-7/16	158

### FOR BELTS 4 INCH WIDE • 7/8 INCH PITCH (XH400)

Part Number	Number of Grooves	Pitch Diameter	Outside Diameter		Bush	Type	Dimensions, Inches						Bore Range		Weight Lbs □ (Approx.)	
			Pulley	Flange			E	L	M	K	H	F	Min	Max *		
18XH400MPB	18	5.013	4.903	4.903	*	MRF	7/8	4	1-9/16			3-11/16	4-11/16	1	2-5/8	19
20XH400QD	20	5.570	5.460	5.460	SK	A1F	15/32	1-7/8	2-11/32	1-3/16			4-11/16	1/2	2-1/2	15
22XH400QD	22	6.127	6.017	6.017	SK	A1F	15/32	1-7/8	2-11/32	1-3/16			4-11/16	1/2	2-1/2	19
24XH400QD	24	6.685	6.575	6.575	SF	A1F	1/2	2	2-3/16	1-3/16			4-11/16	1/2	2-3/4	22
26XH400QD	26	7.241	7.131	7.131	SF	A1F	1/2	2	2-3/16	1-3/16			4-11/16	1/2	2-3/4	26
28XH400QD	28	7.799	7.689	7.689	E	A1F	5/8	2-5/8	1-7/16	1-17/32			4-11/16	7/8	3-7/16	31
30XH400QD	30	8.356	8.246	8.246	E	A1F	5/8	2-5/8	1-7/16	1-17/32			4-11/16	7/8	3-7/16	37
32XH400QD	32	8.913	8.803	8.803	E	A1F	5/8	2-5/8	1-7/16	1-17/32			4-11/16	7/8	3-7/16	42
40XH400QD	40	11.141	11.031	11.71	F	A1F	1/32	3-5/8	1-1/32	1-3/32			4-11/16	1	3-15/16	68
48XH400QD	48	13.369	13.259		J	D2	1/2	4-1/2	11/16	3/4			4-11/16	1-7/16	4-7/16	85
60XH400QD	60	16.711	16.601		J	D3	1/2	4-1/2	11/16	3/4			4-11/16	1-7/16	4-7/16	94
72XH400QD	72	20.054	19.944		J	D3	1/2	4-1/2	11/16	3/4			4-11/16	1-7/16	4-7/16	109
84XH400QD	84	23.396	23.286		J	D3	1/2	4-1/2	11/16	3/4			4-11/16	1-7/16	4-7/16	123
96XH400QD	96	26.738	26.628		J	D3	1/2	4-1/2	11/16	3/4			4-11/16	1-7/16	4-7/16	146
120XH400QD	120	33.423	33.313		J	D3	1/2	4-1/2	11/16	3/4			4-11/16	1-7/16	4-7/16	181

\*Bored to suit construction (Type M) minimum plain bore only carried in stock

Weight shown is for pulley with bushing

# USEFUL ENGINEERING FORMULAS

## Horsepower

Horsepower (HP) is the rate of doing work. One HP is equal to raising 33,000 pounds one foot in one minute.

$$HP = \frac{\text{Force} \times \text{FPM}}{33,000}$$

$$HP = \frac{\text{Torque (in Inch-Pounds)} \times \text{RPM}}{63,025}$$

$$HP = \frac{\text{Torque (in Foot-Pounds)} \times \text{RPM}}{5,252}$$

## Torque

Torque (T) is a turning movement or twisting effort.

$$T \text{ (in Inch-Pounds)} = \frac{63,025 \times \text{HP}}{\text{RPM}}$$

$$= \text{Force} \times \text{Lever Arm (in Inches)}$$

$$T \text{ (in Foot-Pounds)} = \frac{5,252 \times \text{HP}}{\text{RPM}}$$

$$= \text{Force} \times \text{Lever Arm (in Feet)}$$

## Belt Speed

$$\text{FPM} = \text{Diameter (in.)} \times \text{RPM} \times .262$$

## Revolutions Per Minute

$$\text{RPM} = \frac{\text{FPM}}{.262 \times \text{Diameter (in.)}}$$

## Belt Drive Tensions

The effective tension ( $T_c$ ) is the difference between the tight side tension ( $T_1$ ) and the slack side tension ( $T_2$ ). It is the force available for transmitting the load.

$$T_c = (T_1 - T_2) = \frac{\text{HP} \times 33,000}{\text{FPM}}$$

## Belt Length

To determine the belt length to use for a V-belt drive when the center distance and sheave diameters are known:

$$L = 2C + 1.57(D + d) + \frac{(D - d)^2}{4C}$$

## Flywheel Formulas

The weight of a cast iron rim (lbs.) = mean rim diameter (inches)  $\times$  rim thickness (inches)  $\times$  width of rim (inches)  $\times$  .82.

The flywheel effect, commonly referred to as  $WR^2$  or  $WK^2$  can be figured for any rim in lb. ft.<sup>2</sup>

$$WR^2 = \text{Weight of rim (lbs.)} \times \text{mean radius (feet)}^2$$

$$T \text{ (in Inch-Pounds)} = \frac{.039 (N_2 - N_1) (WR^2)}{t}$$

## V-Belt Drive Shaft Loads

To calculate the shaft loading resulting from the minimum belt tensions required to transmit a given torque:

Minimum Belt Pull ( $T_1 + T_2$ ) =

$$\left( \frac{2.5 - A_c}{A_c} \right) \times \left( \frac{33,000 \times \text{Design HP}}{\text{FPM}} \right)$$

The maximum belt pull will approximate 1.5 times the above value depending upon belt tensions.

## Center Distance

To determine the actual center distance (C) on which a given V-belt drive will operate:

$$\text{compute } A = L - 1.57(D + d)$$

$$C = \frac{[A - h(D - d)]}{2}$$

The "h" factors are listed in the following table:

Center Distance Factor, "h"

$\frac{D-d}{A}$	h	$\frac{D-d}{A}$	h	$\frac{D-d}{A}$	h	$\frac{D-d}{A}$	h
0.00	0.00	0.16	0.08	0.30	0.16	0.43	0.24
0.02	0.01	0.18	0.09	0.32	0.17	0.44	0.25
0.04	0.02	0.20	0.10	0.34	0.18	0.46	0.26
0.06	0.03	0.21	0.11	0.35	0.19	0.47	0.27
0.08	0.04	0.23	0.12	0.37	0.20	0.48	0.28
0.10	0.05	0.25	0.13	0.39	0.21	0.50	0.29
0.12	0.06	0.27	0.14	0.40	0.22	0.51	0.30
0.14	0.07	0.29	0.15	0.41	0.23		



# 8M stock sprocket dimensions high torque drives

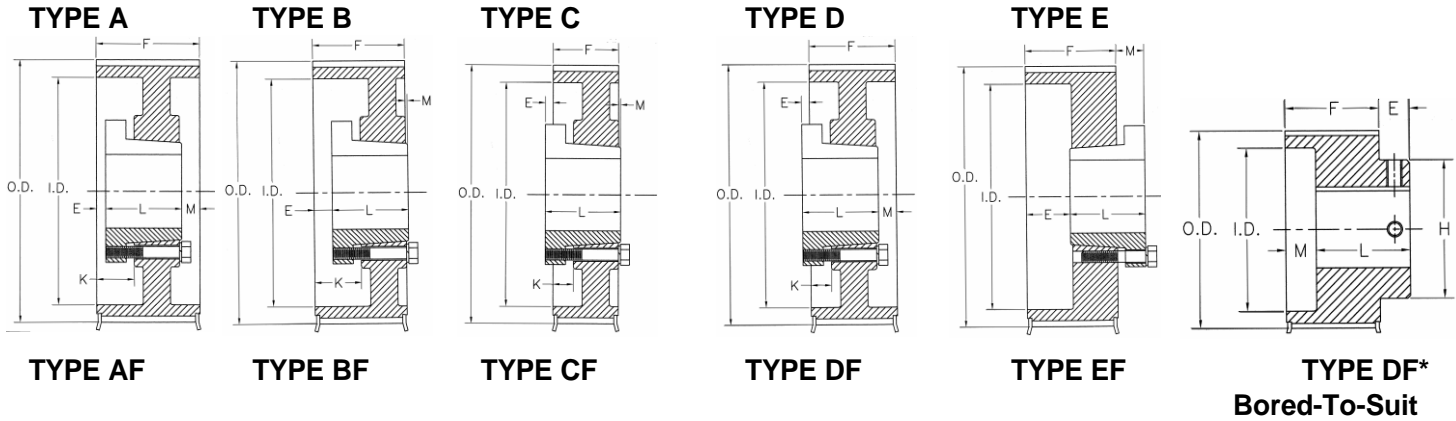


Figure Following Letter in Column Headed "TYPE" in Table Below Indicates Sheave Construction  
1 - Solid, No Web. 2 - Web. 3 - Arms      "F" Indicates Flanged Pulley

FOR BELTS 20MM (.79 in.) WIDE • 8MM PITCH (8M-20)      FACE WIDTH (F) = 1-1/8													
SPROCKET NUMBER	NUMBER OF TEETH	DIAMETERS			TYPE	DIMENSIONS(INCHES)				BORE RANGE		APPROX WT. LBS.	
		P.D	O.D.			I.D.	E	K	L	M	MIN		MAX
			Sprocket	Flange									
P22-8M-20-MPB	22	2.206	2.152	2.56	1.34	D1F*	5/8	1-5/8	1-3/4	0	1/2*	1-3/16	1.1
P24-8M-20-JA	24	2.406	2.352	2.76	1.34	E1F	9/16	0	1	7/16	1/2	1-1/4	1.0
P26-8M-20JA	26	2.607	2.553	2.95	1.88	E1F	9/16	0	1	7/16	1/2	1-1/4	1.2
P28-8M-20-HQ	28	2.807	2.759	3.15	1.57	E1F	1/4	0	1-1/4	3/8	1/2	1-1/2	1.6
P30-8M-20-HQ	30	3.008	2.958	3.35	1.57	E1F	1/4	0	1-1/4	3/8	1/2	1-1/2	1.9
P32-8M-20-HQ	32	3.208	3.156	3.54	2.56	E1F	0	1/4	1-1/4	1/8	1/2	1-1/2	2.0
P34-8M-20-SH	34	3.409	3.355	3.82	2.75	D1F	3/16	5/16	1-1/4	1/16	1/2	1-11/16	2.0
P36-8M-20-SH	36	3.609	3.555	3.94	2.82	D1F	3/16	5/16	1-1/4	1/16	1/2	1-11/16	2.2
P38-8M-20-SH	38	3.810	3.756	4.13	3.00	D1F	3/16	5/16	1-1/4	1/16	1/2	1-11/16	2.5
P40-8M-20-SH	40	4.010	3.956	4.33	3.00	D1F	3/16	5/16	1-1/4	1/16	1/2	1-11/16	2.8
P44-8M-20-SDS	44	4.411	4.357	4.76	3.50	C1F	3/16	3/8	1-5/16	0	1/2	2	3.4
P48-8M-20-SDS	48	4.812	4.758	5.16	3.80	C1F	3/16	3/8	1-5/16	0	1/2	2	4.0
P56-8M-20-SDS	56	5.614	5.560	5.95	4.60	C1F	3/16	3/8	1-5/16	0	1/2	2	5.3
P64-8M-20-SDS	64	6.416	6.632	6.77	5.40	C1F	3/16	3/8	1-5/16	0	1/2	2	6.9
P72-8M-20-SDS	72	7.218	7.164	7.60	6.20	C2F	3/16	3/8	1-5/16	0	1/2	2	6.7
P80-8M-20-SDS	80	8.020	7.966	8.39	6.90	C2F	3/16	3/8	1-5/16	0	1/2	2	7.5
P90-8M-20-SDS	90	9.023	8.969	7.90	7.90	C3	3/16	3/8	1-5/16	0	1/2	2	8.0

FOR BELTS 30MM (1.18 in.) WIDE • 8MM PITCH (8M-30)      FACE WIDTH (F) = 1-1/2													
SPROCKET NUMBER	NUMBER OF TEETH	DIAMETERS			TYPE	DIMENSIONS(INCHES)				BORE RANGE		APPROX WT. LBS.	
		P.D	O.D.			I.D.	E	K	L	M	MIN		MAX
			Sprocket	Flange									
P22-8M-30-MPB	22	2.206	2.152	2.56	1.57	D1F*	5/8	1-5/8	2-1/8	0	*1/2	1-3/16	1.5
P24-8M-30-MPB	24	2.406	2.352	2.76	1.57	D1F*	5/8	1-13/16	2-1/8	0	*1/2	1-1/4	1.9
P26-8M-30-MPB	26	2.607	2.553	2.95	1.57	D1F*	3/4	2	2-1/4	0	*1/2	1-1/4	2.4
P28-8M-30-HQ	28	2.807	2.759	3.15	1.57	E1F	5/8	0	1-1/4	3/8	1/2	1-1/2	1.8
P30-8M-30-HQ	30	3.008	2.958	3.35	1.57	E1F	5/8	0	1-1/4	3/8	1/2	1-1/2	2.2
P32-8M-30-HQ	32	3.208	3.156	3.54	2.56	B1F	0	5/8	1-1/4	1/4	1/2	1-1/2	2.0
P34-8M-30-SH	34	3.409	3.355	3.82	2.75	A1F	3/16	11/16	1-1/4	1/16	1/2	1-11/16	2.3
P36-8M-30-SH	36	3.609	3.555	3.94	2.82	A1F	3/16	11/16	1-1/4	1/16	1/2	1-11/16	2.7
P38-8M-30-SH	38	3.810	3.756	4.13	3.00	A1F	3/16	11/16	1-1/4	1/16	1/2	1-11/16	3.0
P40-8M-30-SH	40	4.010	3.956	4.33	3.00	A1F	3/16	11/16	1-1/4	1/16	1/2	1-11/16	3.3
P44-8M-30-SDS	44	4.411	4.357	4.76	3.50	B1F	3/16	3/4	1-5/16	0	1/2	2	3.8
P48-8M-30-SDS	48	4.812	4.758	5.16	3.80	B1F	3/16	3/4	1-5/16	0	1/2	2	4.5
P56-8M-30-SDS	56	5.614	5.560	5.95	4.60	B1F	3/16	3/4	1-5/16	0	1/2	2	5.9
P64-8M-30-SK	64	6.416	6.362	6.77	5.40	C1F	3/8	1/4	1-7/8	0	1/2	2-5/8	10.4
P72-8M-30-SK	72	7.218	7.164	7.60	6.20	C2F	3/8	1/4	1-7/8	0	1/2	2-5/8	10.0
P80-8M-30-SK	80	8.020	7.966	8.39	6.90	C2F	3/8	1/4	1-7/8	0	1/2	2-5/8	11.8
P90-8M-30-SK	90	9.023	8.969	7.90	7.90	C2	3/8	1/4	1-7/8	0	1/2	2-5/8	13.5
P112-8M-30-SK	112	11.229	11.175	10.00	10.00	C3	3/8	1/4	1-7/8	0	1/2	2-5/8	15.2

Weights for all FUL-GRIP bushed items are approximate and include the bushing.  
FUL-GRIP is a registered trademark of Maurey Manufacturing Corporation

\* Minimum plain bore with no keyway or setscrews  
● Maximum Bore without Keyway



# 8M stock sprocket dimensions high torque drives

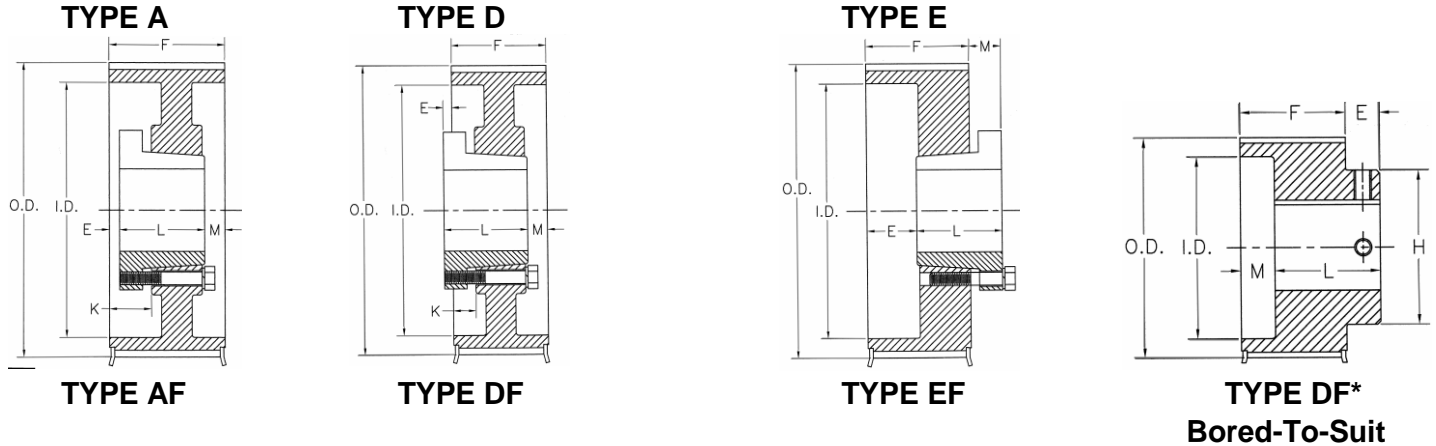


Figure Following Letter in Column Headed "TYPE" in Table Below Indicates Sheave Construction  
1 - Solid, No Web. 2 - Web. 3 - Arms "F" Indicates Flanged Pulley

FOR BELTS 50MM (1.97 in.) WIDE • 8MM PITCH (8M-50) FACE WIDTH (F) = 2-3/8													
SPROCKET NUMBER	NUMBER OF TEETH	DIAMETERS				TYPE	DIMENSIONS(INCHES)				BORE RANGE		APPROX WT. LBS.
		P.D	O.D.		I.D.		E	K	L	M	MIN	MAX	
Sprocket	Flange												
P28-8M-50-MPB	28	2.807	2.759	3.15		D1F	3/4	2-9/32	3-1/8	0	*1/2	1-3/8	4.2
P30-8M-50-MPB	30	3.008	2.958	3.35		D1F	3/4	2-15/32	3-1/8	0	*1/2	1-3/8	4.9
P32-8M-50--HQ	32	3.208	3.156	3.54	2.56	E1F	0	5/8	1-1/4	1/4	1/2	1-1/2	2.5
P34-8M-50-SH	34	3.409	3.355	3.82	2.75	A1F	0	1/2	1-1/4	1-1/8	1/2	1-11/16	2.7
P36-8M-50-SH	36	3.609	3.555	3.94	2.82	A1F	0	1/2	1-1/4	1-1/8	1/2	1-11/16	3.4
P38-8M-50-SH	38	3.810	3.756	4.13	3.00	A1F	0	1/2	1-1/4	1-1/8	1/2	1-11/16	3.7
P40-8M-50-SH	40	4.010	3.956	4.33	3.00	D1F	0	1/2	1-1/4	1-1/8	1/2	1-11/16	4.2
P44-8M-50-SD	44	4.411	4.357	4.76	3.50	A1F	0	9/16	1-13/16	9/16	1/2	2	5.7
P48-8M-50-SD	48	4.812	4.758	5.16	3.80	A1F	0	9/16	1-13/16	9/16	1/2	2	6.9
P56-8M-50-SK	56	5.614	5.560	5.95	4.60	D1F	1/16	9/16	1-7/8	9/16	1/2	2-5/8	9.4
P64-8M-50-SK	64	6.416	6.362	6.77	5.40	D1F	1/16	9/16	1-7/8	9/16	1/2	2-5/8	12.0
P72-8M-50-SK	72	7.218	7.164	7.60	6.20	D1F	1/16	9/16	1-7/8	9/16	1/2	2-5/8	15.0
P80-8M-50-SF	80	8.020	7.966	8.39	6.90	D2F	1/16	9/16	2	7/16	1/2	2-15/16	17.0
P90-8M-50-SF	90	9.023	8.969		7.90	D2	1/16	9/16	2	7/16	1/2	2-15/16	19.1
P112-8M-50-SF	112	11.229	11.175		10.00	D3	1/16	9/16	2	7/16	1/2	2-15/16	23.9
P144-8M-50-E	144	14.437	14.383		13.20	D3	1/2	3/8	2-5/8	1/4	7/8	3-1/2	38.1
P192-8M-50-E	192	19.249	19.195		18.00	D3	1/2	3/8	2-5/8	1/4	7/8	3-1/2	52.5

FOR BELTS 85MM (3.35 in.) WIDE • 8MM PITCH (8M-85) FACE WIDTH (F) = 3-3/4													
SPROCKET NUMBER	NUMBER OF TEETH	DIAMETERS				TYPE	DIMENSIONS(INCHES)				BORE RANGE		APPROX WT. LBS.
		P.D	O.D.		I.D.		E	K	L	M	MIN	MAX	
Sprocket	Flange												
P34-8M-85-SH	34	3.409	3.355	3.82	2.75	A1F	1	1-1/2	1-1/4	1-1/2	1/2	1-11/16	3.5
P36-8M-85-SH	36	3.609	3.555	3.94	2.82	A1F	1	1-1/2	1-1/4	1-1/2	1/2	1-11/16	4.4
P38-8M-85-SH	38	3.810	3.756	4.13	3.00	A1F	1	1-1/2	1-1/4	1-1/2	1/2	1-11/16	4.9
P40-8M-85-SD	40	4.010	3.956	4.33	3.25	A1F	11/16	1-1/4	1-13/16	1-1/4	1/2	2	5.6
P44-8M-85-SD	44	4.411	4.357	4.76	3.50	A1F	11/16	1-1/4	1-13/16	1-1/4	1/2	2	7.1
P48-8M-85-SD	48	4.812	4.758	5.16	3.80	A1F	11/16	1-1/4	1-13/16	1-1/4	1/2	2	8.7
P56-8M-85-SK	56	5.614	5.560	5.95	4.60	A1F	5/8	1-1/4	1-7/8	1-1/4	1/2	2-5/8	11.6
P64-8M-85-SF	64	6.416	6.362	6.77	5.40	A1F	5/8	1-1/4	1-7/8	1-1/4	1/2	2-5/8	14.6
P72-8M-85-E	72	7.218	7.164	7.60	6.19	A1F	5/32	1-1/16	2-5/8	31/32	7/8	3-1/2	24.0
P80-8M-85-E	80	8.020	7.966	8.39	6.90	A2F	5/8	1-1/4	2	1-1/8	1/2	2-15/16	29.1
P90-8M-85-SF	90	9.023	8.969		7.90	A2	5/8	1-1/4	2	1-1/8	1/2	2-15/16	35.5
P112-8M-85-F	112	11.229	11.175		10.00	A3	5/8	1-1/4	2	1-1/8	1/2	2-15/16	70.5
P144-8M-85-F	144	14.437	14.383		13.20	A3	3/16	1-1/16	2-5/8	15/16	7/8	3-1/2	64.5
P192-8M-85-F	192	19.249	19.195		18.00	A3	3/16	1-1/16	2-5/8	15/16	7/8	3-1/2	78.1

Weights for all FUL-GRIP bushed items are approximate and include the bushing.  
FUL-GRIP is a registered trademark of Maurey Manufacturing Corporation

\* Min. plain bore with no keyway or setscrews  
● Maximum Bore without Keyway



# 14M stock sprocket dimensions high torque drives

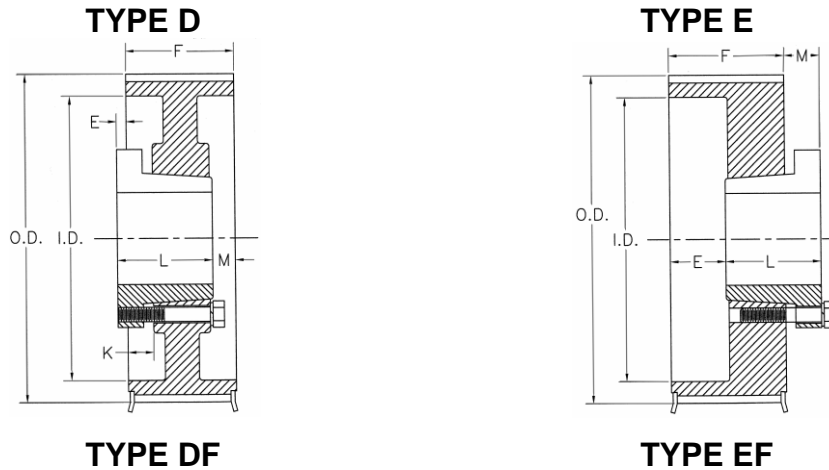
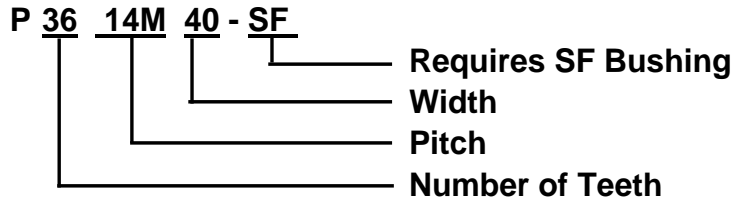


Figure Following Letter in Column Headed "TYPE" in Table Below Indicates Sheave Construction  
1 - Solid, No Web. 2 - Web. 3 - Arms "F" Indicates Flanged Pulley

## Part Number Explanation



**FOR BELTS 40MM (1.57 in.) WIDE • 14MM PITCH (14M-40) FACE WIDTH (F)=2-1/8**

SPROCKET NUMBER	NUMBER OF TEETH	DIAMETERS				TYPE	DIMENSIONS(INCHES)				BORE RANGE		APPROX WT. LBS.
		P.D	O.D.		I.D.		E	K	L	M	MIN	MAX	
			Sprocket	Flange									
P28-14M-40-SK	28	4.912	4.802	5.56	3.12	E1F	7/8	0	1-7/8	5/8	1/2	2-5/8	7.2
P29-14M-40-SK	29	5.088	4.978	5.56	3.12	E1F	7/8	0	1-7/8	5/8	1/2	2-5/8	7.9
P30-14M-40-SK	30	5.263	5.153	5.56	3.92	D1F	3/16	7/16	1-7/8	7/16	1/2	2-5/8	7.6
P32-14M-40-SK	32	5.614	5.504	6.09	3.92	D1F	3/16	7/16	1-7/8	7/16	1/2	2-5/8	9.2
P34-14M-40-SK	34	5.965	5.855	6.50	4.06	D1F	3/16	7/16	1-7/8	7/16	1/2	2-5/8	10.6
P36-14M-40-SF	36	6.316	6.206	6.87	4.84	D1F	3/16	7/16	2	5/16	1/2	2-5/16	11.9
P38-14M-40-SF	38	6.667	6.557	7.22	4.94	D1F	3/16	7/16	2	5/16	1/2	2-5/16	13.3
P40-14M-40-SF	40	7.018	6.908	7.50	5.06	D1F	3/16	7/16	2	5/16	1/2	2-5/16	15.1
P44-14M-40-E	44	7.720	7.610	8.34	6.12	D1F	5/8	1/4	2-5/8	1/8	7/8	3-1/2	21.7
P48-14M-40-E	48	8.421	8.311	8.90	6.50	D1F	5/8	1/4	2-5/8	1/8	7/8	3-1/2	25.9
P52-14M-40-E	52	9.123	9.013	9.68	7.18	D1F	5/8	1/4	2-5/8	1/8	7/8	3-1/2	30.0
P56-14M-40-E	56	9.825	9.715	10.38	7.88	D1F	5/8	1/4	2-5/8	1/8	7/8	3-1/2	34.6
P60-14M-40-E	60	10.527	10.417	11.06	8.50	D1F	5/8	1/4	2-5/8	1/8	7/8	3-1/2	39.4
P64-14M-40-E	64	11.229	11.119	11.68	9.25	D2F	5/8	1/4	2-5/8	1/8	7/8	3-1/2	35.7
P68-14M-40-E	68	11.930	11.820	12.50	10.00	D2F	5/8	1/4	2-5/8	1/8	7/8	3-1/2	38.0
P72-14M-40-E	72	12.632	12.522	13.19	10.69	D2F	5/8	1/4	2-5/8	1/8	7/8	3-1/2	36.8
P80-14M-40-E	80	14.036	13.926	14.63	12.13	D2F	5/8	1/4	2-5/8	1/8	7/8	3-1/2	41.1
P90-14M-40-E	90	15.790	15.680		14.50	D3	5/8	1/4	2-5/8	1/8	7/8	3-1/2	42.9
P112-14M-40-E	112	19.650	19.540		18.38	D3	5/8	1/4	2-5/8	1/8	7/8	3-1/2	53.8
P144-14M-40-E	144	25.264	25.154		23.88	D3	5/8	1/4	2-5/8	1/8	7/8	3-1/2	80.9

Weights for all FUL-GRIP bushed items are approximate and include the bushing. \* Min plain bore with no keyway or setscrews  
FUL-GRIP is a registered trademark of Maurey Manufacturing Corporation





# 14M stock sprocket dimensions high torque drives

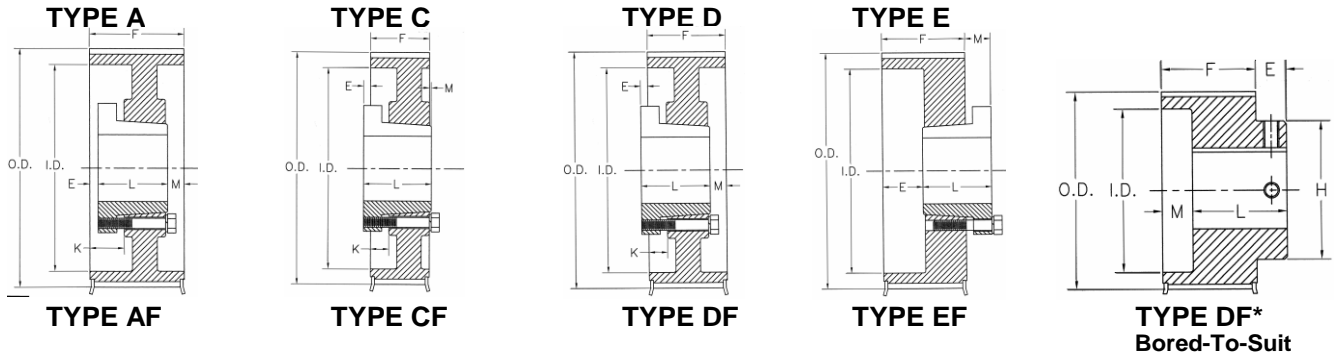


Figure Following Letter in Column Headed "TYPE" in Table Below Indicates Sheave Construction  
1 - Solid, No Web. 2 - Web. 3 - Arms "F" Indicates Flanged Pulley

FOR BELTS 55MM (2.17 in.) WIDE • 14MM PITCH (14M-55) FACE WIDTH (F) = 2-3/4													
SPROCKET NUMBER	NUMBER OF TEETH	DIAMETERS				TYPE	DIMENSIONS(INCHES)				BORE RANGE		APPROX WT. LBS.
		P.D	O.D.		I.D.		E	K	L	M	MIN	MAX	
			Sprocket	Flange									
P28-14M-55-SK	28	4.912	4.802	5.56	3.12	E1F	1-1/2	0	1-7/8	5/8	1/2	2-5/8	8.5
P29-14M-55-SK	29	5.088	4.978	5.56	3.12	E1F	1-1/2	0	1-7/8	5/8	1/2	2-5/8	9.5
P30-14M-55-SK	30	5.263	5.153	6.09	3.92	A1F	1/8	3/4	1-7/8	3/4	1/2	2-5/8	8.7
P32-14M-55-SK	32	5.614	5.504	6.09	3.92	A1F	1/8	3/4	1-7/8	3/4	1/2	2-5/8	10.7
P34-14M-55-SK	34	5.965	5.855	6.50	4.06	A1F	1/8	3/4	1-7/8	3/4	1/2	2-5/8	12.5
P36-14M-55-SF	36	6.316	6.206	6.87	4.84	A1F	1/8	3/4	2	5/8	1/2	2-15/16	13.6
P38-14M-55-SF	38	6.667	6.557	7.22	4.94	A1F	1/8	3/4	2	5/8	1/2	2-15/16	15.2
P40-14M-55-SF	40	7.018	6.908	7.50	5.06	A1F	1/8	3/4	2	5/8	1/2	2-15/16	17.4
P44-14M-55-E	44	7.720	7.610	8.34	6.12	D1F	5/16	9/16	2-5/8	7/16	7/8	3-1/2	23.8
P48-14M-55-E	48	8.421	8.311	8.90	6.50	D1F	5/16	9/16	2-5/8	7/16	7/8	3-1/2	28.8
P52-14M-55-E	52	9.123	9.013	9.68	7.18	D1F	5/16	9/16	2-5/8	7/16	7/8	3-1/2	33.2
P56-14M-55-E	56	9.825	9.715	10.38	7.88	D1F	5/16	9/16	2-5/8	7/16	7/8	3-1/2	38.0
P60-14M-55-E	60	10.527	10.417	11.06	8.50	D1F	5/16	9/16	2-5/8	7/16	7/8	3-1/2	43.3
P64-14M-55-F	64	11.229	11.119	11.68	9.25	D1F	7/8	1/8	3-5/8	0	1	4	62.6
P68-14M-55-F	68	11.930	11.820	12.50	10.00	D2F	7/8	1/8	3-5/8	0	1	4	54.5
P72-14M-55-F	72	12.632	12.522	13.19	10.69	D2F	7/8	1/8	3-5/8	0	1	4	58.0
P80-14M-55-F	80	14.036	13.926	14.63	12.13	D2F	7/8	1/8	3-5/8	0	1	4	61.9
P90-14M-55-F	90	15.790	15.680		14.50	D3	7/8	1/8	3-5/8	0	1	4	58.1
P112-14M-55-F	112	19.650	19.540		18.38	D3	7/8	1/8	3-5/8	0	1	4	72.2
P144-14M-55-F	144	25.264	25.154		23.88	D3	7/8	1/8	3-5/8	0	1	4	106.3
P168-14M-55-F	168	29.475	29.365		28.25	D3	7/8	1/8	3-5/8	0	1	4	110.2
P192-14M-55-F	192	33.686	33.576		32.38	D3	7/8	1/8	3-5/8	0	1	4	133.2
P216-14M-55-F	216	37.896	37.786		36.62	D3	7/8	1/8	3-5/8	0	1	4	161.6

FOR BELTS 85MM (3.35 in.) WIDE • 14MM PITCH (14M-85) FACE WIDTH (F) = 4													
SPROCKET NUMBER	NUMBER OF TEETH	DIAMETERS				TYPE	DIMENSIONS(INCHES)				BORE RANGE		APPROX WT. LBS.
		P.D	O.D.		I.D.		E	K	L	M	MIN	MAX	
			Sprocket	Flange									
P28-14M-85-MPB	28	4.912	4.802	5.56	3.12	D1F*	1	3-11/16	4	1	*1-1/4	2-11/16	16.1
P29-14M-85-MPB	29	5.088	4.978	5.56	3.12	D1F*	1	3-11/16	4	1	*1-1/4	2-11/16	17.5
P30-14M-85-SK	30	5.263	5.153	5.56	3.92	A1F	3/4	1-3/8	1-7/8	1-3/8	1/2	2-5/8	10.8
P32-14M-85-SK	32	5.614	5.504	6.09	3.92	A1F	3/4	1-3/8	1-7/8	1-3/8	1/2	2-5/8	13.7
P34-14M-85-SK	34	5.965	5.855	6.50	4.06	A1F	3/4	1-3/8	1-7/8	1-3/8	1/2	2-5/8	16.2
P36-14M-85-SF	36	6.316	6.206	6.87	4.84	A1F	3/4	1-3/8	2	1-1/4	1/2	2-15/16	16.9
P38-14M-85-SF	38	6.667	6.557	7.22	4.94	A1F	3/4	1-3/8	2	1-1/4	1/2	2-15/16	19.1
P40-14M-85-SF	40	7.018	6.908	7.50	5.06	A1F	3/4	1-3/8	2	1-1/4	1/2	2-15/16	22.1
P44-14M-85-E	44	7.720	7.610	8.34	6.12	A1F	5/16	1-3/16	2-5/8	1-1/16	7/8	3-1/2	27.9
P48-14M-85-E	48	8.421	8.311	8.90	6.50	A1F	5/16	1-3/16	2-5/8	1-1/16	7/8	3-1/2	34.5
P52-14M-85-E	52	9.123	9.013	9.68	7.18	A1F	5/16	1-3/16	2-5/8	1-1/16	7/8	3-1/2	39.5
P56-14M-85-F	56	9.825	9.715	10.38	7.88	D1F	1/4	3/4	3-5/8	5/8	7/8	3-1/2	54.8
P60-14M-85-F	60	10.527	10.417	11.06	8.50	D1F	1/4	3/4	3-5/8	5/8	1	4	62.8
P64-14M-85-F	64	11.229	11.119	11.68	9.25	D1F	1/4	3/4	3-5/8	5/8	1	4	70.8
P68-14M-85-F	68	11.930	11.820	12.50	10.00	D2F	1/4	3/4	3-5/8	5/8	1	4	64.1
P72-14M-85-F	72	12.632	12.522	13.19	10.69	D2F	1/4	3/4	3-5/8	5/8	1	4	68.6
P80-14M-85-F	80	14.036	13.926	14.63	12.13	D2F	1/4	3/4	3-5/8	5/8	1	4	71.0
P90-14M-85-F	90	15.790	15.680		14.50	D3	1/4	3/4	3-5/8	5/8	1	4	68.5
P112-14M-85-F	112	19.650	19.540		18.25	D3	1/4	3/4	3-5/8	5/8	1	4	89.2
P144-14M-85-F	144	25.264	25.154		23.88	D3	1/4	3/4	3-5/8	5/8	1	4	118.3
P168-14M-85-J	168	29.475	29.365		28.12	D3	1/4	3/4	4-1/2	5/8	1-7/16	4-1/2	153.0
P192-14M-85-F	192	33.686	33.576		32.38	D3	1/4	3/4	4-1/2	5/8	1-7/16	4-1/2	182.0
P216-14M-85-J	216	37.896	37.786		36.38	D3	1/4	3/4	4-1/2	5/8	1-7/16	4-1/2	244.0

Weights for all FUL-GRIP bushed items are approximate and include the bushing.  
FUL-GRIP is a registered trademark of Maurey Manufacturing Corporation

\* Min. plain bore with no keyway or setscrews  
● Maximum Bore without Keyway



# 14M stock sprocket dimensions high torque drives

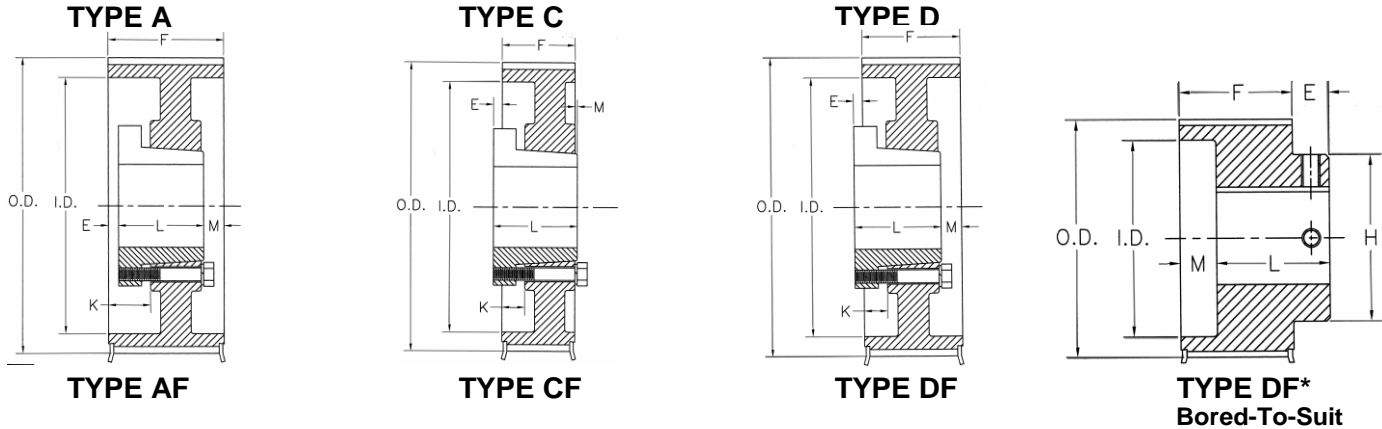



Figure Following Letter in Column Headed "TYPE" in Table Below Indicates Sheave Construction  
1 - Solid, No Web. 2 - Web. 3 - Arms "F" Indicates Flanged Pulley

FOR BELTS 115MM (4.53 in.) WIDE • 14MM PITCH (14M-115) FACE WIDTH (F) = 5-1/4													
SPROCKET NUMBER	NUMBER OF TEETH	DIAMETERS				TYPE	DIMENSIONS(INCHES)				BORE RANGE		APPROX WT. LBS.
		P.D.	O.D.		I.D.		E	K	L	M	MIN	MAX	
			Sprocket	Flange									
P28-14M-115-MPB	28	4.912	4.808	5.56	3.12	D1F*	1-1/4	3-11/16	5	1-1/2	*1-1/4	2-11/16	20.7
P29-14M-115-MPB	29	5.088	4.983	5.56	3.12	D1F*	1-1/4	3-11/16	5	1-1/2	*1-1/4	2-11/16	22.5
P30-14M-115-SK	30	5.263	5.157	6.09	3.92	A1F	1-3/8	2	1-7/8	2	1/2	2-11/16	12.9
P32-14M-115-SK	32	5.614	5.507	6.09	3.92	A1F	1-3/8	2	1-7/8	2	1/2	2-5/8	16.6
P34-14M-115-SK	34	5.965	5.858	6.50	4.06	A1F	1-3/8	2	1-7/8	2	1/2	2-5/8	19.9
P36-14M-115-SF	36	6.316	6.208	6.87	4.84	A1F	1-3/8	2	2	1-7/8	1/2	2-15/16	20.2
P38-14M-115-SF	38	6.667	6.559	7.22	4.94	A1F	1-3/8	2	2	1-7/8	1/2	2-15/16	22.9
P40-14M-115-SF	40	7.018	6.909	7.50	5.06	A1F	1-3/8	2	2	1-7/8	1/2	2-15/16	26.7
P44-14M-115-E	44	7.720	7.610	8.34	6.12	A1F	29/32	1-13/16	2-5/8	1-23/32	7/8	3-1/2	32.1
P48-14M-115-E	48	8.421	8.311	8.90	6.50	A1F	29/32	1-13/16	2-5/8	1-23/32	7/8	3-1/2	40.1
P52-14M-115-F	52	9.123	9.013	9.68	7.18	A1F	5/16	1-3/8	3-5/8	1-5/16	1	4	53.8
P56-14M-115-F	56	9.825	9.715	10.38	7.88	A1F	5/16	1-3/8	3-5/8	1-5/16	1	4	61.7
P60-14M-115-F	60	10.527	10.417	11.06	8.50	A1F	5/16	1-3/8	3-5/8	1-5/16	1	4	70.6
P64-14M-115-J	64	11.229	11.119	11.68	9.25	D1F	1/4	1	4-1/2	1	1-7/16	4-1/2	90.0
P68-14M-115-J	68	11.930	11.820	12.50	10.00	D1F	1/4	1	4-1/2	1	1-7/16	4-1/2	100.8
P72-14M-115-J	72	12.632	12.522	13.19	10.69	D1F	1/4	1	4-1/2	1	1-7/16	4-1/2	112.7
P80-14M-115-J	80	14.036	13.926	14.63	12.12	D2F	1/4	1	4-1/2	1	1-7/16	4-1/2	100.8
P90-14M-115-J	90	15.790	15.680		14.50	D2	1/4	1	4-1/2	1	1-7/16	4-1/2	89.3
P112-14M-115-J	112	19.650	19.540		18.25	D3	1/4	1	4-1/2	1	1-7/16	4-1/2	116.5
P144-14M-115-J	144	25.264	25.154		23.88	D3	1/4	1	4-1/2	1	1-7/16	4-1/2	159.5
P168-14M-115-M	168	29.475	29.365		28.10	C3	1-13/32	1/16	6-3/4	3/32	1-15/16	5-1/2	261.0
P192-14M-115-M	192	33.686	33.576		32.25	C3	1-13/32	1/16	6-3/4	3/32	1-15/16	5-1/2	302.0
P216-14M-115-M	216	37.896	37.786		36.38	C3	1-13/32	1/16	6-3/4	3/32	1-15/16	5-1/2	350.0

FOR BELTS 170MM (6.69 in.) WIDE • 14MM PITCH (14MM-170) FACE WIDTH (F) = 7-3/8													
SPROCKET NUMBER	NUMBER OF TEETH	DIAMETERS				TYPE	DIMENSIONS(INCHES)				BORE RANGE		APPROX WT. LBS.
		P.D.	O.D.		I.D.		E	K	L	M	MIN	MAX	
			Sprocket	Flange									
P44-14M-170-E	44	7.720	7.610	8.34	6.12	A1F	2	2-7/8	2-5/8	2-3/4	7/8	3-1/2	39.1
P48-14M-170-E	48	8.421	8.311	8.90	6.50	A1F	2	2-7/8	2-5/8	2-3/4	7/8	3-1/2	49.8
P52-14M-170-F	52	9.123	9.013	9.68	7.18	A1F	1-7/16	2-7/16	3-5/8	2-5/16	1	4	64.6
P56-14M-170-F	56	9.825	9.715	10.38	7.88	A1F	1-7/16	2-7/16	3-5/8	2-5/16	1	4	73.4
P60-14M-170-J	60	10.527	10.417	11.06	8.50	A1F	15/16	2-1/8	4-1/2	1-15/16	1-7/16	4-1/2	93.1
P64-14M-170-J	64	11.229	11.119	11.68	9.25	A1F	15/16	2-1/8	4-1/2	1-15/16	1-7/16	4-1/2	103.9
P68-14M-170-J	68	11.930	11.820	12.50	10.00	A1F	15/16	2-1/8	4-1/2	1-15/16	1-7/16	4-1/2	115.3
P72-14M-170-J	72	12.632	12.522	13.19	10.69	A1F	15/16	2-1/8	4-1/2	1-15/16	1-7/16	4-1/2	128.2
P80-14M-170-J	80	14.036	13.926	14.63	12.12	A2F	15/16	2-1/8	4-1/2	1-15/16	1-7/16	4-1/2	119.9
P90-14M-170-J	90	15.790	15.680		14.50	A2	15/16	2-1/8	4-1/2	1-15/16	1-7/16	4-1/2	104.2
P112-14M-170-M	112	19.650	19.540		18.25	A3	0	1-7/16	6-3/4	5/8	2	5-1/2	205.6
P144-14M-170-M	144	25.264	25.154		23.62	A3	0	1-7/16	6-3/4	5/8	2	5-1/2	268.2
P168-14M-170-M	168	29.475	29.365		28.10	A3	0	1-7/16	6-3/4	5/8	2	5-1/2	293.3
P192-14M-170-M	192	33.686	33.576		32.25	A3	0	1-7/16	6-3/4	5/8	2	5-1/2	334.9
P216-14M-170-M	216	37.896	37.786		36.38	A3	0	1-7/16	6-3/4	5/8	2	5-1/2	383.6

Weights for all FUL-GRIP bushed items are approximate and include the bushing.  
FUL-GRIP is a registered trademark of Maurey Manufacturing Corporation

\* Min. plain bore with no keyway or setscrews  
● Maximum Bore without Keyway



# maurey Couplings

---

## HI-Q COUPLINGS



STYLE 1

## HI-FLEX COUPLINGS

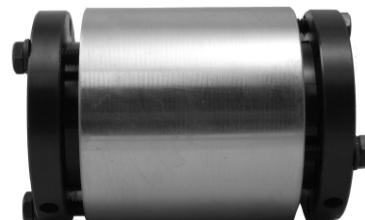


## Fixed Bore Sleeve Couplings



STYLE 2

## Rigid Bushed Sleeve Couplings



# Hi-Q<sup>®</sup> Flexible Couplings

*to enable full power transmission while compensating for*

**No abrasive wear:** *Hi-Q Design prevents metal-to-metal contact.*

**Greater flexibility:** *Buna-N and Urethane spider compression units compensate for minor angular and center line misalignments.*

**True alignment:** *Parts are accurately machined to insure perfect alignment of end pieces from bores to O.D.'s..... rust resistant*

**Standardized for interchangeability**

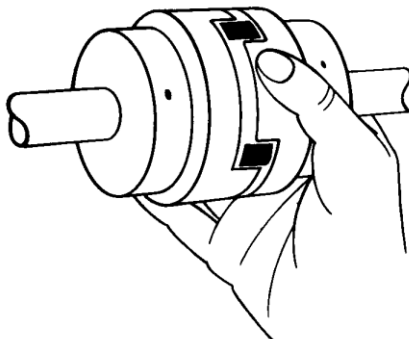
**Wide temperature range:** *Buna-N has an ambient temperature range from -20F to 180F.....Urethane from -80F to 180F*



STYLE 2, FIXED BORE  
*Machined Cast Iron,  
for larger horsepower*

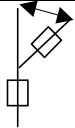
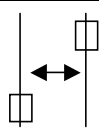
STYLE 1, FIXED BORE  
*Sintered Metal, for  
smaller Horsepower*

## Fast Installation....No need to adjust ends and spider for proper spacing



1. Mount both coupling halves, including keys if any, on their respective shafts.
2. Insert flexible spider and bring coupling halves together. Space pads on coupling halves provide the correct spacing.
3. Check alignment between the two halves using a steel straight edge across the top of both coupling halves.

### HI-Q MISALIGNMENT CAPABILITY

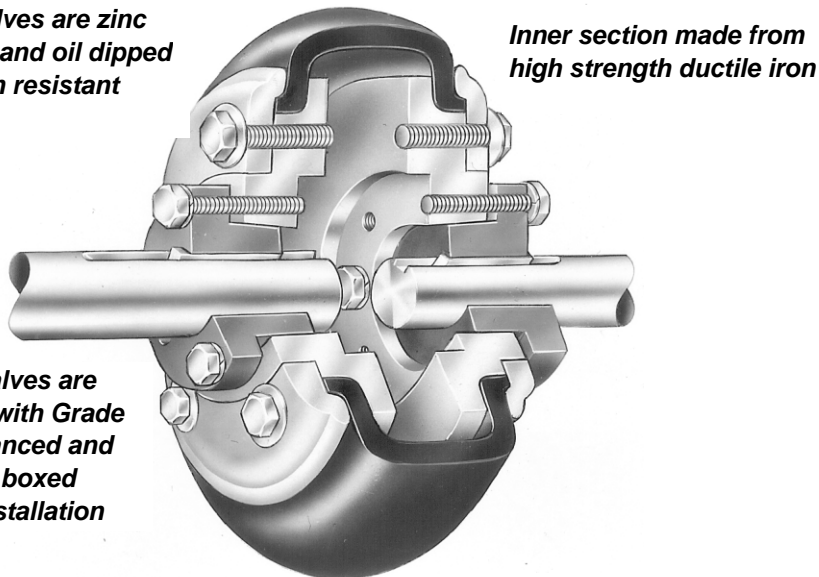
Torque Range (In.-Lb)	Max. Angular Offset		Max. Parallel Offset	
	Degrees		Inches	
Up to 4,600	1		.015	

# Hi-Flex<sup>®</sup> Flexible Couplings

*shaft misalignments...absorbing shocks and vibrations*

*Coupling halves are zinc phosphated and oil dipped for corrosion resistant protection*

*Coupling halves are assembled with Grade 8 bolts, balanced and individually boxed ready for installation*

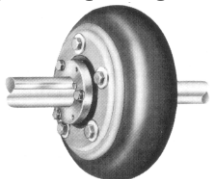


*Outer section made from solid steel plate*

*Inner section made from high strength ductile iron*

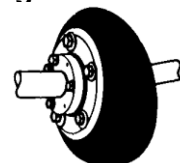
*The split flexible element is made of natural rubber or Neoprene. Natural rubber has an ambient temperature range from -65° to +180°F. Neoprene has excellent resistance to oil, ozone and weather...good resistance to heat, flame and certain chemicals.... ambient temperature range from -40°F to +210°F.*

## PRECISION BALANCED FOR TRUE RUNNING

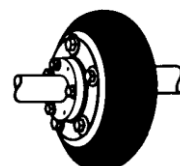


All flanges are precision balanced before assembly with cover to assure trouble free service.

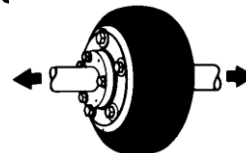
**Accommodates angular shaft misalignments up to 4°.**



**Accommodates parallel shaft misalignments up to 1/8".**

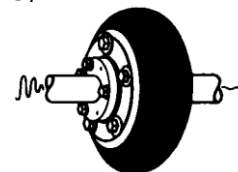


**Compensates for end float up to 5/16"**



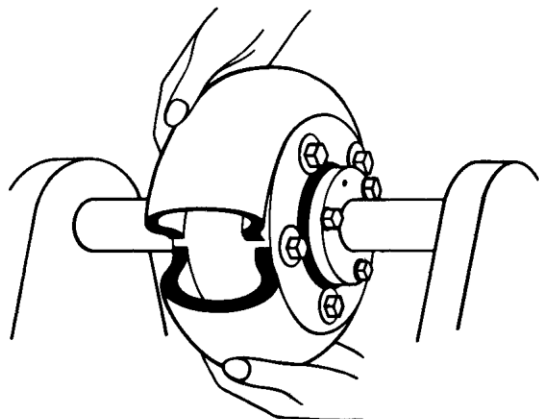
(Except 110 SK which will accommodate up to 1/4")

**Dampens torsional vibrations, absorbs shocks**



Internal combustion engines develop torsional vibration which increase at certain speeds. Hi-Flex Couplings dampen vibrations.

## Easy Installation



### Simple standard-type alignment

Check by placing a straightedge across the outside diameter of the flange.

### Easy installation of flexible element

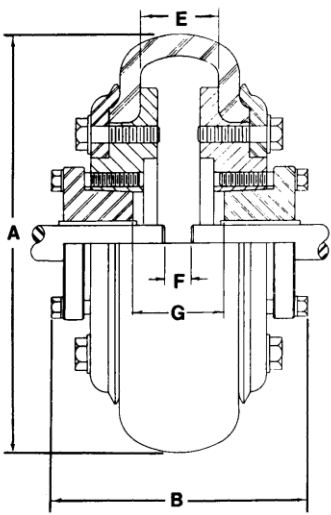
Simply place split flexible element between flanges and then clamp ring. Tighten bolts to proper torque.

### Fast replacement of flexible element

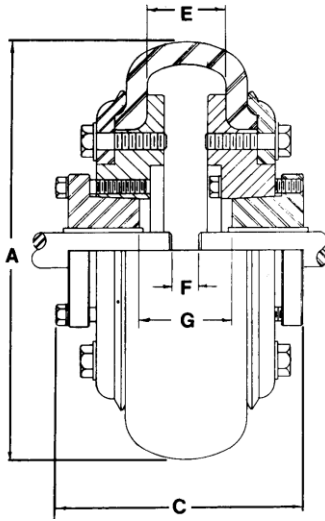
To replace element, loosen flange assembly bolts partially, without removing covers. However, bolts may be removed completely, thus disassembling the cover for easier removal and installation of element.



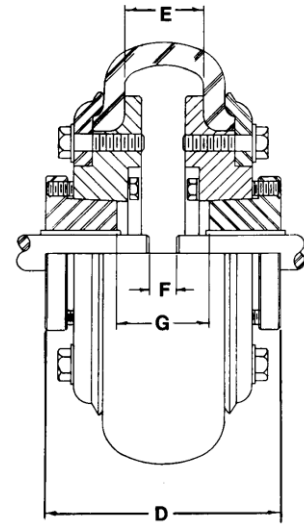
# Hi-Flex® Couplings using ful-grip bushings



**OUTSIDE-OUTSIDE MOUNT  
(50JA-140E)**



**OUTSIDE-INSIDE MOUNT  
(70SH-140E)**



**INSIDE-INSIDE MOUNT  
(70SH-140E)**



FLANGE ASSEMBLY 2 REQ. PART NUMBER	BUSHING REQUIRED 1 PER EA FLANGE	FLANGE ASSEMBLY WEIGHT EACH (Lbs)	FLEXIBLE ELEMENT 1 REQ PART NUMBER				STOCK BORES QD BUSHED		COMPLETE COUPLING WEIGHT (Lbs)	
			BUNA	NEOPRENE	Element Weight	Torque @ 1.0 SF (LB.-IN.)	MIN	MAX	Less Bushing	With Bushing
50JA	JA	2.1	FE5	FE5N	0.6	900	1/2	1-3/16	4.7	6.3
60SH	SH	3.5	FE6	FE6N	0.9	1800	1/2	1-5/8	7.9	9.9
70SH	SH	4.7	FE7	FE7N	1.3	2200	1/2	1-5/8	10.7	12.7
80SDS	SDS	6.9	FE8	FE8N	1.7	3600	1/2	1-15/16	15.5	17.9
90SK	SK	10.0	FE9	FE9N	2.0	4350	1/2	2-1/2	22.0	26.0
100SF	SF	13.5	FE10	FE10N	2.0	5250	1/2	2-3/4	29.0	36.0
110SF	SF	17.4	FE11	FE11N	3.0	7750	1/2	2-3/4	37.8	44.8
120E	E	25.1	FE12	FE12N	3.8	12540	7/8	3-7/16	54.1	72.1
140E	E	51.1	FE14	FE14N	4.5	27590	7/8	3-7/16	106.7	124.7

PART NUMBER FLANGE	ELEMENT PART NUMBER		DIMENSIONS (INCHES)						
	BUNA	NEOPRENE	A	B	C	D	E±1/16	F	G
50JA	FE5	FE5N	5-1/4	3-1/4	3-1/4	3-1/4	7/8	*	23/32
60SH	FE6	FE6N	6-1/2	3-15/16	3-15/16	3-15/16	1-1/8	*	7/8
70SH	FE7	FE7N	7-3/8	4-3/16	3-31/32	3-3/4	1-3/8	*	1-1/8
80SDS	FE8	FE8N	8-5/16	4-5/8	4-13/32	4-3/16	1-1/2	*	1-7/16
90SK	FE9	FE9N	9-1/4	5-11/16	5-13/32	5-1/8	1-5/8	*	1-3/8
100SF	FE10	FE10N	10	6-1/4	5-15/16	5-5/8	1-3/4	*	1-3/4
110SF	FE11	FE11N	11	6-3/16	5-7/8	5-9/16	1-9/16	*	1-11/16
120E	FE12	FE12N	12-3/8	7-3/4	7-5/16	6-7/8	1-3/4	*	1-7/8
140E	FE14	FE14N	14-1/8	10-1/4	9-13/16	9-3/8	2-1/8	*	2-1/4

\* Shaft ends although normally "G" distance apart can project beyond the bushings and be close together. If this occurs allow space between shaft ends for end float and misalignment.

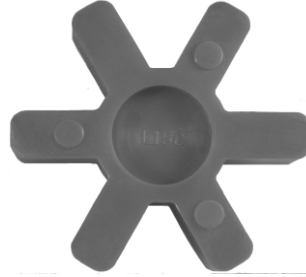


# Hi-Q® Couplings Finished Bore

## "SPIDER" COMPRESSION UNIT



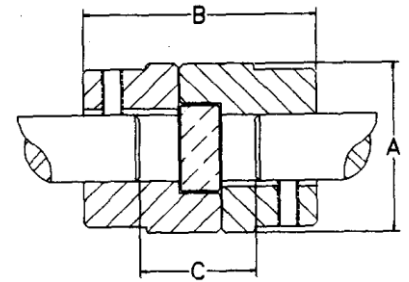
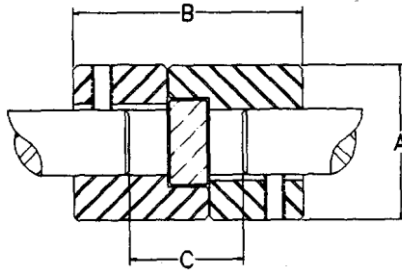
**STYLE 1**



**Buna, Polyurethane & Hytrel**



**STYLE 2**



End Piece (2 REQ) Part Number	Style	Max Bore	Dimensions (Inches)				Approx End Piece Weight Lbs	Rubber Spider Part Number	Rubber Spider Weight Lbs	Poly- Urethane Spider Part Number	Poly- Urethane Spider Weight Lbs	Hytrel Spider Part Number	Hytrel Spider Weight Lbs
			A	B	C								
					Min	Max							
L050	1	5/8	1-5/64	1-23/32	7/16	27/32	L050-N	0.013	L050-U	0.010	L050-H	0.010	
L070	1	3/4	1-3/8	2	7/16	3/4	L070-N	0.019	L070-U	0.013	L070-H	0.013	
L075	1	7/8	1-3/4	2-1/8	7/16	7/8	L075-N	0.031	L075-U	0.025	L075-H	0.025	
L090	1	1	2-1/8	2-5/32	7/16	7/8	L090-95-N	0.038	L090-95-U	0.031	L090-95-H	0.031	
L095	1	1-1/8	2-1/8	2-17/32	7/16	1-1/16	L090-95-N	0.038	L090-95-U	0.031	L090-95-H	0.031	
L099	1	1-3/16	2-9/16	2-7/8	5/8	1-5/32	L099-100-N	0.069	L099-100-U	0.063	L099-100-H	0.063	
L100	1	1-3/8	2-9/16	3-1/2	5/8	1-7/8	L099-100-N	0.069	L099-100-U	0.063	L099-100-H	0.063	
L110	1	1-3/4	3-5/16	4-9/32	3/4	2	L110-N	0.131	L110-U	0.131	L110-H	0.119	
L150	1	1-7/8	3-3/4	4-1/2	7/8	2-1/2	L150-N	0.206	L150-U-O	0.169	L150-H	0.181	
L190	2	2-1/8	4-1/2	5-1/4	15/16	2-1/2	L190-N	0.313	L190-U	0.256	L190-H	0.250	
L225	2	2-5/8	5	6-1/8	15/16	2-1/2	L225-N	0.381	L225-U	0.350	L225-H	0.325	

Part Number	STOCK BORES (INCHES) MARKED "X"																												
	1/4	5/16	3/8	7/16	1/2	9/16	5/8	3/4	7/8	15/16	1	1-1/8	1-3/16	1-1/4	1-3/8	1-7/16	1-1/2	1-5/8	1-11/16	1-3/4	1-7/8	1-15/16	2	2-1/8	2-3/16	2-1/4	2-3/8	2-5/8	
L050	X*	X*	X*	X*	X*		X*																						
L070	X*	X*	X*	X*	X**	X*	X	X																					
L075			X*	X*	X**	X**	X	X	X																				
L090				X*	X**		X	X	X		X																		
L095					X**	X**	X	X	X		X	X																	
L099					X**		X	X	X		X	X	X																
L100					X**		X	X	X	X	X	X	X	X															
L110							X	X	X		X	X	X	X	X	X	X	X	X	X	X								
L150							X	X	X		X	X	X	X	X	X	X	X	X	X	X	X							
L190							X	X	X		X	X	X	X	X	X	X	X	X	X	X	X	X	X	X	X	X	X	X
L225							X	X	X		X	X	X	X	X	X	X	X	X	X	X	X	X	X	X	X	X	X	X

\*DENOTES NO KEYWAY

\*\*DENOTES STOCKED WITH AND WITHOUT KEYWAY, MUST SPECIFY WHEN ORDERING



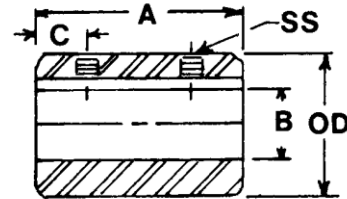
# Hi-Q® Sleeve Couplings

## finished bore and bushed type

### Finished Bore Sleeve Couplings



Maurey finished bore couplings are machined from bar steel, with standard keyseats and hollow head set screws.



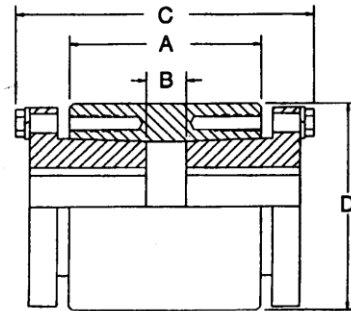
Part No.	O.D.	A	B	C	Set Screw	Weight Lbs	Keyway
SC04	1/2	3/4	1/4	3/16	8-32 x 1/8"	.06	None
SC05	5/8	1	5/16	1/4	8-32 x 1/8"	.06	None
SC06	3/4	1	3/8	1/4	10-24 x 1/8"	.1	None
SC08	1	1-1/2	1/2	3/8	1/4-20 x 1/4"	.2	1/8 x 1/16
SC10	1-1/4	2	5/8	1/2	5/16-18 x 5/16"	.5	3/16 x 3/32
SC12	1-1/2	2	3/4	1/2	5/16-18 x 3/8"	.8	3/16 x 3/32
SC14	1-3/4	2	7/8	1/2	5/16-18 x 3/8"	1.0	3/16 x 3/32
SC16	2	3	1	3/4	3/8-16 x 1/2"	1.9	1/4 x 1/8
SC18	2-1/8	3	1-1/8	3/4	3/8-16 x 1/2"	2.1	1/4 x 1/8
SC20	2-1/4	4	1-1/4	1	3/8-16 x 1/2"	3.1	1/4 x 1/8
SC22	2-1/2	4-1/2	1-3/8	1	3/8-16 x 1/2"	4.3	5/16 x 5/32



### Rigid Bushed Sleeve Couplings



Bushed sleeve couplings provide a simple and economical way to join two shafts of different diameters. Made from steel, these couplings use the gripping strength of tapered bushings to eliminate the need for shrink fits.



Part Number	Bushing Size	Bore Range	Maximum Torque*	A	B	C	D	Weight Less Bushing
SCHQ	HQ	3/8" - 1-1/2"	1,700 in.lbs	2	5/16	3-9/32	2-1/2	1.63
SCSD	SD	1/2" - 2"	7,000 in.lbs	3	5/8	4-3/4	3-1/4	3.69
SCSK	SK	1/2" - 2-5/8"	7,000 in.lbs	4	1-11/16	6	4-1/4	9.00

\* Maximum torque is in inch-pounds. For heavy or shock loads use one half of this torque rating.

\* Torque ratings expressed here are based on bushing and coupling strength. Smaller bores and shafts may not be able to withstand these torques. Always check the shaft and keyway strengths before using.



# Coupling Applications and Service Factors

**TABLE 1 • SERVICE FACTORS**

APPLICATION (See Footnote)	Service Factor *	APPLICATION (See Footnote)	Service Factor *	APPLICATION (See Footnote)	Service Factor *
AGITATORS Paddle, Propeller, Screw	1.0	KILN	2.0	PUMPS RECIPROCATING	
BLOWERS		LAUNDRY MACHINES		1 Cylinder - Single Acting	2.5
Centrifugal, Vane	1.0	Tumbler, Washer	2.0	1 Cylinder - Double Acting	2.0
Lobe	1.5	LINE SHAFTS	1.5	2 Cylinder - Single Acting	2.0
BREWING & DISTILLING		LUMBER INDUSTRY		2 Cylinder - Double Acting	1.5
Bottling Machinery,		Band Circular Resaw, Planer		3 Cylinders or More	1.5
Brew Kettle, Mash Tub	1.0	Rolls (Non-Reversing),		RUBBER INDUSTRY	
Scale Hopper	1.5	Slab Conveyor, Sorting Table	1.5	Tuber and Strainer	1.5
CAR DUMPERS	2.5	MACHINE TOOLS		Calender, Warming Mill	2.0
CAR PULLERS	1.5	Auxillary and Traverse	1.0	Banbury, Mixing Mill	
CLAY WORKING MACHINES	1.5	Main Drive		Sheeter, Tire Building	
COMPRESSORS		Punch Press, Planer	2.0	Machine, Washer	2.5
Centrifugal	1.0	METALFORMING MACHINES	2.0	SCREENS	
Lobe Rotary	2.0	MILLS (ROTARY TYPE)		Air Washing and Water	1.0
Reciprocating**	3.0	Dryer, Cooler		Coal and Sand (Rotary)	1.5
CONVEYORS		Tumbling Barrel	1.5	Vibrating	2.5
Assembly, Belt, Screw	1.0	Ball Pebble Rod, Tube	2.5	SHOVEL	2.0
Reciprocating	2.5	MIXERS		SHREDDER	1.5
CRANES AND HOIST		Concrete (Continuous)		STEEL INDUSTRY *	
Main, Reversing, Skip		Muller	1.5	Cold Mills	
Trolley, Bridge, Slope	2.0	OIL INDUSTRY		Coiler (Up or Down)	1.5
CRUSHERS		Chiller	1.0	Strip, Temper	2.0
Ore and Stone	3.0	Paraffin Filter Press	1.5	Hot Mills	
DREDGES		Oil Well Pumping	2.0	Coiler Edger Drive	1.5
Conveyors, Pumps, Stackers	1.5	PAPER MILLS		Feed Roll, Roughing Mill	
Cutter Head, Jig Pump		Agitator, Bleacher Felt Stretcher	1.0	Delivery, Sheet, Strip	3.0
Screen Drives	2.0	Beater, Pulper Couch Cylinder,		Rod Mill	2.5
ELEVATORS		Dryer, Rotary Pump, Winder	1.5	Soaking Pit Cover Drive	3.0
Bucket, Freight, Passenger	2.0	Calender, Jordan Press,		STEERING GEAR	1.0
FANS		Pulp Grinder		STOKER	1.0
Centrifugal, Light	1.0	Reciprocating Pump	2.0	TEXTILE MILLS	
Propeller (Indoor)	1.5	Barking Drum Chipper	3.0	Batcher, Drying. Mangel,	
Large (Mine Etc.)		PARAFFIN FILTER PRESS	1.5	Napper, Soaper	1.0
Cooling Tower	2.0	PRINTING PRESS	1.5	Calender, Card, Dry Can,	
FOOD INDUSTRY		PROPELLER (MARINE)	1.5	Spinner Tenter Frame	1.5
Cereal Cooker	1.0	PULLERS	2.5	WINDLASS	2.0
Beet Slicer, Dough Mixer		PULVERIZERS		WOODWORKING MACHINERY	1.0
Meat Grinder	1.5	Hammermill - Light Duty Roller	1.5		
GENERATORS		Hammermill - Heavy Duty Hog	2.0		
Even Load	1.0	PUMPS			
Hoist or Railway Service	1.5	Centrifugal	1.0		
Welder Load	2.0	Descaling Gear Type	1.5		
HAMMERMILLS	2.0	Oil Well	2.0		

● The service factors listed are intended only as a general guide and for smooth power sources such as electric motors and steam turbines. Add 0.5 to factor for somewhat rougher power sources such as internal combustion engines of four or more cylinders, steam engines and water turbines. Where substantial shock occurs or starting and stopping is frequent as on some "inching" drives and on some reversing drives or where power source is an internal combustion engine with less than four cylinders - consult factory. Where torsional vibrations occur as in, for example, internal combustion engine or reciprocating compressor or pump applications, check the coupling size for the possible development of damaging large amplitude vibrations

\* These factors are based on motor HP at base speed. Where these factors do not produce a 10 factor on the peak torque of the motor, they should be increased accordingly.

\*\* Add 0.5 factor if without flywheel

# Coupling Selection

**Step 1** - Determine the required HP per 100 RPM

$$\text{HP/100 rpm @ 1.0 service factor} = \frac{\text{Motor or other HP} \times 100 \text{ rpm}}{\text{Motor or other Coupling RPM}}$$

Example: 25 HP electric motor 1750 RPM, Service factor 1.00

**Step 2** - Refer to Table 2 - Select a figure equal to or greater than 1.43 obtained in step 1. From Table 2, the L110 Urethane Hi-Q coupling or 60SH Hi-Flex coupling will meet the HP requirements. However the max bore in both cases is 1-5/8". A 25 HP electric motor has a 284T frame with a shaft diameter of 1-7/8". Therefore choose either:

L150 (Rubber) Hi-Q Coupling or 80SDS Hi-Flex Coupling  
If angular, parallel misalignment and end float are not critical and the Hi-Q coupling meets the other requirements of the drive, the Hi-Q coupling is recommended from the standpoint of economics.

Referring back to Table 2 and using 1.43HP/100 RPM we can select the coupling required at various service factors

Service Factor	Coupling
1.5	L150P Hi-Q or 80SDS Hi-Flex
2.0	L150P Hi-Q or 80SDS Hi-Flex
2.5	L190P Hi-Q or 80SDS Hi-Flex
3.0	L190P Hi-Q or 80SDS Hi-Flex

**Step 3** - Coupling selection other than electric motor.

Example: 55 HP Gasoline engine 1500 RPM, Service Factor 1.5

$$\text{HP/100 rpm} = \frac{55\text{HP} \times 100 \text{ rpm}}{1500 \text{ RPM}} = 3.67 \text{ HP/100 RPM}$$

Refer to Table 2, calculate 1.5 service factor and choose the following:

L225 (Urethane) Hi-Q coupling or 80SDS Hi-Flex Coupling

However if the engine shaft or driven shaft are not within the bore range of the couplings chosen use the next larger QD bushing and coupling.

**TABLE 2**

HI-Q COUPLING RATING AND SELECTION GUIDE												
Coupling Size	Stock Bores Fixed Bores		Max RPM	RUBBER			URETHANE			HYTREL		
	Min.	Max.		HP PER 100 RPM			HP PER 100 RPM			HP PER 100 RPM		
				1.0 SF	2.0 SF	3.0 SF	1.0 SF	2.0 SF	3.0 SF	1.0 SF	2.0 SF	3.0 SF
L050	1/4	5/8		0.04	0.02	0.01	0.06	0.03	0.02	0.08	0.04	0.03
L070	1/4	3/4		0.06	0.03	0.02	0.10	0.05	0.03	0.18	0.09	0.06
L075	3/8	7/8		0.12	0.06	0.04	0.21	0.11	0.07	0.36	0.18	0.12
L090	7/16	1		0.20	0.10	0.07	0.34	0.17	0.11	0.64	0.32	0.21
L095	1/2	1-1/8	4500	0.28	0.14	0.09	0.46	0.23	0.15	0.89	0.45	0.30
L099	1/2	1-3/16	4000	0.50	0.25	0.17	0.76	0.38	0.25	1.26	0.63	0.42
L100	1/2	1-3/8	4000	0.60	0.30	0.20	1.00	0.50	0.33	1.80	0.90	0.60
L110	5/8	1-3/4	3600	1.30	0.65	0.43	1.90	0.95	0.63	3.60	1.80	1.20
L150	3/4	1-7/8	3100	2.00	1.00	0.67	3.00	1.50	1.00	5.88	2.94	1.96
L190	3/4	2-1/8	2800	2.70	1.35	0.90	4.10	2.05	1.37	7.43	3.72	2.48
L225	3/4	2-5/8	2600	3.70	1.85	1.23	5.60	2.80	1.87	9.88	4.94	3.29

**HI-FLEX COUPLING RATING AND SELECTION GUIDE**

Coupling Size	QD Stock Bores		Max RPM	HP PER 100 RPM					Torque* @ 1.0 S.F. (LB.-IN.)	Average Static Torsional Stiffness Coefficient (K)		Approx. WR <sup>2</sup> (LB.-FT <sup>2</sup> )
	Min.	Max.		SERVICE FACTOR						LB.-IN/DEG	LB.-IN/RAD.	
				1.0	1.5	2.0	2.5	3.0				
50JA	1/2	1-3/16	4500	1.43	.95	.72	.57	.48	900	224	12850	.08
60SH	1/2	1-5/8	4000	2.86	1.91	1.43	1.14	.95	1800	414	23700	.24
70SH	1/2	1-5/8	3600	3.49	2.33	1.75	1.40	1.16	2200	544	31200	.45
80SDS	1/2	1-15/16	3100	5.71	3.81	2.86	2.28	1.90	3600	876	50200	.88
90SK	1/2	2-1/2	2800	6.90	4.60	3.45	2.76	2.30	4350	1088	62400	1.60
100SF	1/2	2-3/4	2600	8.33	5.55	4.17	3.33	2.78	5250	1530	87700	2.90
110SF	1/2	2-3/4	2300	12.30	8.20	6.15	4.92	4.10	7750	2420	138700	4.30
120E	7/8	3-7/16	2100	19.90	13.27	9.95	7.96	6.63	12540	4014	217000	6.70
140E	7/8	3-7/16	1840	43.78	29.19	21.89	17.51	14.59	27590	8296	476000	19.50

\* Allowable torque for non-varying running loads. Starting requirements or other service conditions may require the use of a service factor.

# maurey

## HI-FLEX COUPLING INSTALLATION INSTRUCTIONS

### FLANGE AND BUSHING INSTALLATION

Make sure the bore and tapered cone surface of the bushing and flanges are free of all foreign substances such as paint or dirt.

- Place \*QD bushing on the shaft over the key with flange end first. The end of the bushing should be flush with the end of the shaft for best results.

*NOTE: If shaft ends project beyond the bushing, be sure to allow for end float and misalignment.*

- Either loosen flange assembly screws as much as possible or disassemble. Slip flange over the \*QD bushing and assemble in the following manner:

#### A. OUTSIDE MOUNT (50JA thru 140E)

Align the clearance holes in the \*QD bushing with the tapped holes of the flange assembly. Assemble pull-up bolts and lock washers as shown in Fig. 1. Tighten pull-up bolts progressively and evenly to the \*QD bushing bolt torque specified in Table 1.

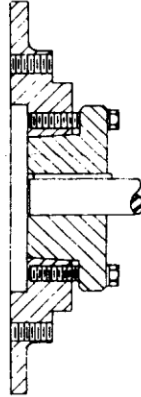


FIGURE 1  
OUTSIDE MOUNT

#### B. INSIDE MOUNT (70SH thru 140E)

Align clearance holes in the flange assembly with the tapped holes in the \*QD bushing. Assemble pull-up bolts and the lock washers as shown in Fig. 2. Tighten pull-up bolts progressively and evenly to the \*QD bushing bolt torque specified in Table 1.

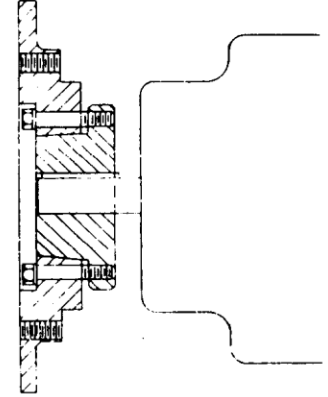


FIGURE 2  
INSIDE MOUNT

**CAUTION: NEVER ALLOW THE FLANGE ASSEMBLY TO BE DRAWN IN CONTACT WITH THE FLANGE OF THE \*QD BUSHING. THERE SHOULD BE A GAP FROM 1/8" TO 1/4" BETWEEN THEM. IF THE GAP IS CLOSED, THE SHAFT IS SERIOUSLY UNDERSIZE.**

TABLE 1

HI-FLEX COUPLING	*QD BUSHING		BUSHING BOLT SIZE	BUSHING BOLT TORQUE (in-lb)	FLANGE ASSEMBLY BOLT SIZE	FLANGE ASSEMBLY BOLT TORQUE (in-lb)
	PART NO	LENGTH				
50JA	JA	1	10-24	60	1/4-20	120
60SH	SH	1-1/4	1/4-20	108	5/16-18	300
70SH	SH	1-1/4	1/4-20	108	5/16-18	300
80SDS	SDS	1-5/16	1/4-20	108	5/16-18	300
90SK	SK	1-7/8	5/16-18	180	3/8-16	400
100SF	SF	2	3/8-16	360	3/8-16	400
110SF	SF	2	3/8-16	360	3/8-16	400
120E	E	2-5/8	1/2-13	720	1/2-13	900
140E	E	2-5/8	1/2-13	720	1/2-13	900

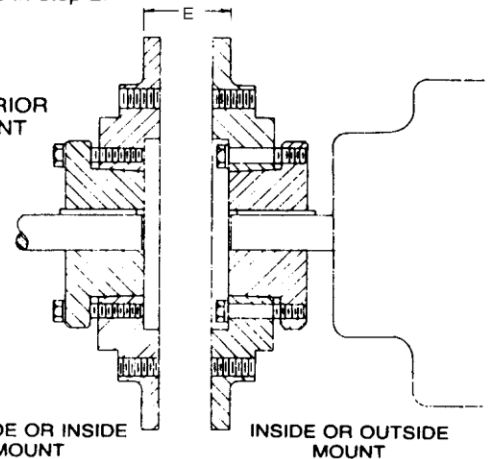
\*QD BUSHING BOLTS ARE GRADE 5 FLANGE ASSEMBLY BOLTS ARE GRADE 8   
50 JA and 60SH ARE SUPPLIED WITH SOCKET HEAD CAP SCREWS EQUIVALENT TO GRADE 8 BOLTS

- The second \*QD bushing is placed on the other shaft as described in step 1 and the second flange assembly is slipped over the bushing and assembled to it "E" distance (Table 2) apart following the instructions in step 2.

TABLE 2

PART NO.	E ± 1/16
50JA	7/8
60SH	1-1/8
70SH	1-3/8
80SDS	1-1/2
90SK	1-5/8
100SF	1-3/4
110SF	1-9/16
120E	1-3/4
140E	2-1/8

FIGURE 3  
FLANGE ASSEMBLY MOUNTED "E" DISTANCE APART PRIOR TO INSTALLING FLEXIBLE ELEMENT



4. **FOR PARALLEL SHAFTS:** Using a scale or straight edge, check the flange spacing and angular misalignment at four places 90° apart around the coupling without rotating the flanges. The flanges should be aligned so that the dimensions at all four places do not vary more than 1/32" for best results. Check parallel misalignment by laying the straight edge across the flange O.D. several places around the circumference of the coupling. Parallel misalignment not to exceed 1/32" for best results.

**FOR PARALLEL AND NON PARALLEL SHAFTS:** For the longest coupling life it is always best to align couplings as accurately as possible upon the initial installation.

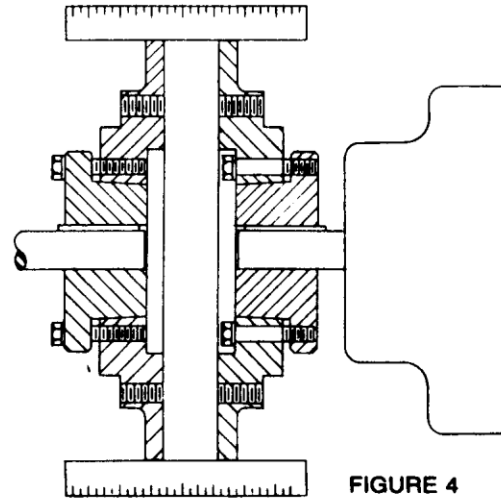


FIGURE 4

### INSTALLATION OF FLEXIBLE ELEMENT

5. You may loosen the flange assembly screws as much as possible without disassembly of cover or you may remove the screws completely thus disassembling the cover. In either case wrap the flexible element around the flange assemblies as shown in Fig. 5. Make sure the beads of the element are fully worked down upon the seats of covers. To insure proper seating, rap on the tire O.D. with a small mallet until the split is closed.

*Important:* Split must be closed after assembly is completed.

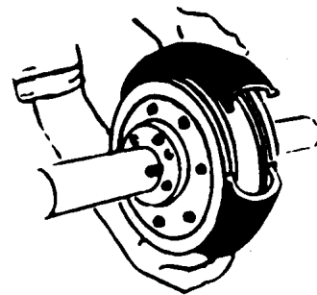


FIGURE 5

6. Hold split of the flexible element closed as shown in Fig. 6. Tighten (finger tight) one or two screws directly opposite the split. Using both hands knead the tire pulling it toward the split. Repeat the procedure on all remaining screws. Retighten each screw, in succession, with a torque wrench to the torque specified in Table 1 under the column entitled "FLANGE ASSEMBLY BOLT TORQUE".

*NOTE:* The metal pieces of the coupling that clamp the rubber element will operate properly only if tightly clamped by the screws. Over tightening cannot damage the rubber element, but being too loose may damage the coupling.

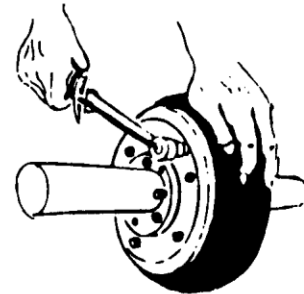


FIGURE 6

### TO REPLACE TIRE

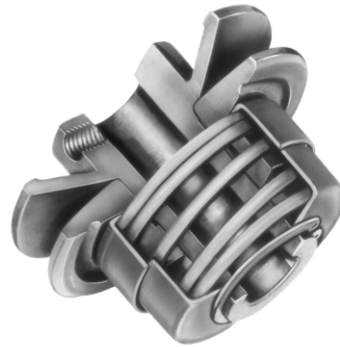
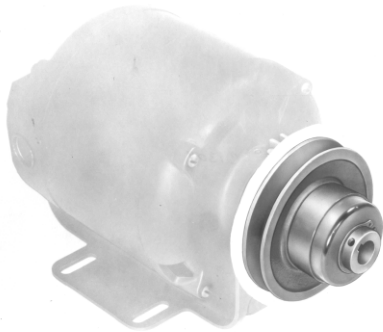
Loosen all flange assembly screws completely to disengage the covers of the flange assemblies. Grasp one end of the flexible element at the split and peel it off the flange assemblies. Remove any foreign substances, such as dirt, off both sides of the flange assemblies and install the new flexible element according to steps 5 and 6. If necessary to replace flange assembly screws, use only Grade 8 or equivalent.

**IMPORTANT NOTICE:** Because of the possible danger to person(s) or property from accidents which may result in the use of products, it is important that the Hi-Flex coupling be used in accordance with the engineering information specified in the catalog and in these instructions. Proper installation, maintenance and operating procedures must be observed. Proper guards and other safety devices that may be needed or specified in safety codes should be provided and used, but are neither provided by, nor the responsibility of the manufacturer.



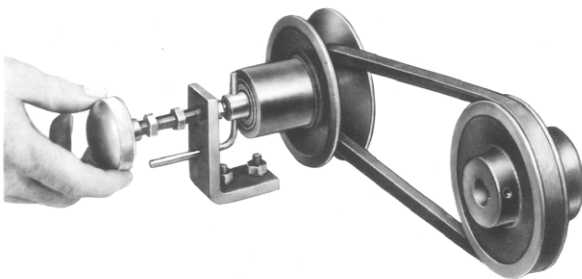
## Variable Speed Drives Up To 2 H.P.

---



### **Spring-Loaded Sheaves - Automatic Type**

Speed Ratios up to 2.19:1, available for drives of 1/4 to 2 H.P. Motor is equipped with Maurey spring-loaded sheave.



### **Spring-Loaded Sheaves - Manual Type**

For fixed center drives.



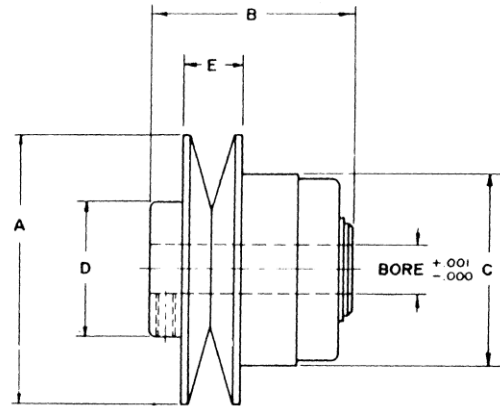
### **Motor Bases**



# spring loaded sheaves for 4L "A" and 5L "B" belts

### FEATURES:

1. Single moving flange.  
Simple trouble-free construction with a minimum of working parts
2. Grooved for Permawick (cellulose fibre 85% lubricating oil content) that holds oil in suspension until such time as needed on bushing for lubrication.
3. Nylon bushing between movable flange and hub is continuously lubricated by Permawick.
4. Stainless steel key adds strength and assures non-corrosion.



### ORDERING PROCEDURE

*SPRING LOADED SHEAVE* is driver sheave  
*TO SELECT COMPANION SHEAVE*, check chart of model no. selected. Refer to speed range desired. Adjacent column at right gives companion sheave number  
*TO SELECT V-BELT* to fit your drive move horizontally on same chart to desired center distance. Read down to obtain FHP V-belt number  
*COMPANION SHEAVES DIMENSIONS* - Section A.  
*MOTOR BASE DIMENSIONS* - Page G-3

### ORDERING EXAMPLE FOR COMPLETE DRIVE

*DRIVE REQUIREMENTS:*  
 1/3 HP Motor @ 1750 RPM  
 Motor Shaft Size: 5/8"  
 Driven Shaft Size: 1"  
 Speed Range: 300 to 600 RPM  
 Belt Center Distance: 18" ± 1/2"  
*REFER TO CHART, PAGE G-5*  
 Select either 6325 or 6400 closest to requirement  
*TO ORDER FROM CHART:*  
 6400 x 5/8" Spring Loaded Sheave  
 AC110 x 1" Companion Sheave, Section A  
 4L600 V-Belt  
 6000 Standard Motor Base, Page G-3

BORES AND KEYWAYS	
1/2"	None
5/8", 3/4", 7/8"	3/16" x 3/32"
1"	1/4" x 1/8"

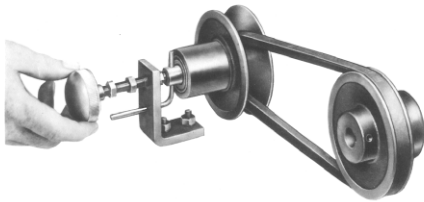
Model Number	HP @ RPM		Speed Ratio	Pitch Diameter		Belt Section	Drive Selection	Weight Lbs
	1750	1160		MIN	MAX			
6325	1/3	1/4	1.65:1	1.91	3.15	A or B	Page G-5	1.75
6400	1/2	1/3	2.00:1	1.95	3.90	A or B	Page G-5	2.25
6500	1 & 3/4	1/2	2.05:1	2.37	4.84	B	Page G-6	4.88
6600	1	3/4	2.19:1	2.67	5.84	B	Page G-6	6.00
66150	1-1/2	1	2.19:1	2.67	5.84	B	Page G-6	6.00
66200	2	1-1/2	2.19:1	2.67	5.84	B	Page G-6	6.00

Model Number	DIMENSIONS (INCHES)					STOCK BORES (INCHES) MARKED "X"				
	A	B	C	D	E	1/2	5/8	3/4	7/8	1
6325	3-1/4	2-3/8	2-5/16	1-5/8	11/16	X	X	X		
6400	4	2-1/8	2-5/16	1-5/8	11/16	X	X	X		
6500	5	3-5/8	3-3/16	1-7/8	15/16		X	X	X	X
6600	6	3-7/8	3-3/16	1-7/8	15/16		X	X	X	X
66150	6	3-7/8	3-3/16	1-7/8	15/16		X	X	X	X
66200	6	3-7/8	3-3/16	1-7/8	15/16		X	X	X	X

**USE MAUREY MOTOR BASE NO. 6000, PAGE G-3**

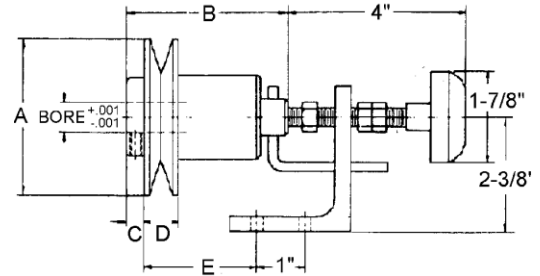


# manual control sheaves and controls for fixed center drives for 4L "A" and 5L "B" belts



### MANUAL CONTROL SHEAVES

are used in conjunction with spring-loaded sheaves to maintain fixed center distance and provide a higher speed ratio than possible using only a spring-loaded sheave and movable motor base.



## ORDERING PROCEDURE

TO SELECT A COMPOUND DRIVE, check the chart on page G-7 and select either your desired horsepower and/or speed ratio. Adjacent column gives you specified model numbers, driven speeds at desired RPM, and NEMA motor frame numbers

TO SELECT FHP V-BELT to fit your system, check charts on page G-7 and move horizontally from desired compound drive to desired distance. Read down to obtain part number of V-Belt.

Model Number	HP @ RPM		Speed Ratio	Belt Section	Drive Selection	Weight Lbs
	1750	1160				
6325M	1/3 & 1/4	1/4	2.72:1	A or B	Page G-7	2.00
6400M	1/2	1/3	4.00:1	A or B	Page G-7	2.25
6500M	1 & 3/4	1/2	4.17:1	A or B	Page G-7	5.00
6600M	2, 1-1/2, 1	1-1/2, 1, 3/4	4.78:1	A or B	Page G-7	6.50

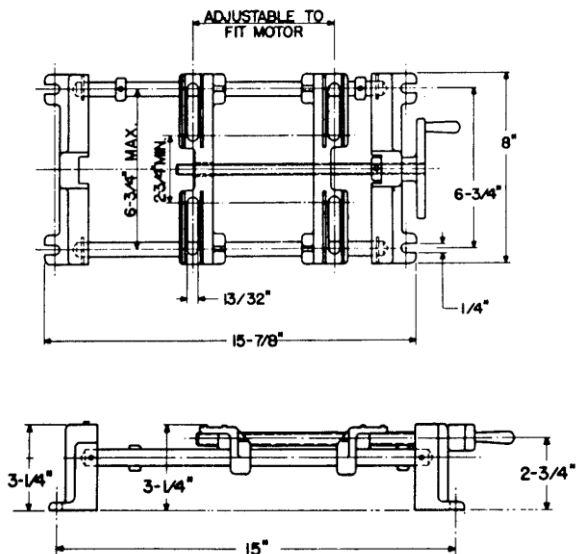
**MC CONTROL  
MUST BE ORDERED  
SEPARATELY**

Model Number	DIMENSIONS (INCHES)					STOCK BORES (INCHES) MARKED "X"				
	A	B	C	D	E	1/2	5/8	3/4	7/8	1
6325M	3-1/4	3-11/32	3/8	11/16	3	X	X	X		
6400M	4	3-11/32	3/8	11/16	3	X	X	X		
6500M	5	4-5/16	1/2	15/16	4		X	X	X	X
6600M	6	4-5/16	1/2	15/16	4		X	X	X	X

For keyway dimensions please refer to chart on page G-2.



# adjustable motor bases



### MODEL NO. 6000

Standard adjustable motor base for motors up to and including 2 H.P. Easily moves the sheave through its speed range. Shipping weight, 12 lbs.

# DRIVE SELECTION FOR SPRING-LOADED SHEAVES

By: Horsepower and/or Speed Ratio

## Selection Procedure:

1. Determine horsepower and/or speed ratio of your particular drive.
2. Across to specified model number and your particular motor speed.  
NEMA motor frames also indicated.
3. Select proper motor base (NEMA motor frames also indicated).
4. For complete drive details, turn to page that pertains to model number specified in step 2. Page numbers located on bottom of chart.

Horsepower Selection	Speed Ratio Selection	Specified Model No. Selection at Motor RPM		Motor Base Selection	NEMA Motor Frames
		1750 RPM	1160 RPM		
1/4	1.65 : 1	6325	6325	6000	48, 56, 56H, 66
1/3	1.65 : 1	6325	6325	6000	48, 56, 56H, 66
1/2	1.65 : 1	6325	6325	6000	48, 56, 56H, 66, 203, 204
1/2	2.00 : 1	6400	6400	6000	48, 56, 56H, 66, 203, 204
3/4	2.00 : 1	6400	---	6000	48, 56, 56H, 66, 203, 204
3/4	2.05 : 1	---	6500	6000	56, 56H, 66, 203, 204, 182, 184, 143T, 145T
1	2.05 : 1	6500	---	6000	56, 56H, 66, 182, 184, 143T, 145T, 224, 225, 203, 204
1	2.19 : 1	6600	---	6000	56, 56H, 66, 182, 184, 143T, 145T, 203, 204
1	2.19 : 1	---	66150	6000	56, 56H, 66, 182, 184, 143T, 145T, 203, 204, 224, 225
1-1/2	2.19 : 1	66150	---	6000	56, 56H, 66, 182, 184, 143T, 145T, 203, 204, 224, 225
1-1/2	2.19 : 1	---	66200	6000	56, 56H, 66, 182, 184, 143T, 145T, 224, 225
2	2.19 : 1	66200	---	6000	56, 56H, 66, 182, 184, 143T, 145T, 224, 225

## PAGE NUMBERS FOR ABOVE MODELS:

6325, 6400, 6500 ..... PAGE G-2

6600, 66150, 66200 .....PAGE G-2



**MODEL NO. 6325 / SPEED AND CENTER DISTANCE TABLE  
USE MOTOR BASE NO. 6000**

DRIVEN SPEED				Companion Sheave	CENTER DISTANCE (INCHES) AT MAXIMUM SPEED POSITION																	
1750 RPM		1160 RPM			7.9	8.9	9.9	11.9	13.9	14.9	16.9	18.9	19.9	21.9	23.9	24.9	29.9	34.9	39.9	44.9		
Min.	Max.	Min.	Max.																			
1045	1723	693	1142	AC33																		
983	1621	652	1075	AC35	7.8	8.8	9.8	11.8	13.8	14.8	16.8	18.8	19.8	21.8	23.8	24.8	29.8	34.8	39.8	44.8		
857	1414	568	937	AC40	7.4	8.4	9.4	11.4	13.4	14.4	16.4	18.4	19.4	21.4	23.4	24.4	29.4	34.4	39.4	44.4		
760	1253	504	830	AC45	7.0	8.0	9.0	11.0	13.0	14.0	16.0	18.0	19.0	21.0	23.0	24.0	29.0	34.0	39.0	44.0		
682	1125	452	745	AC50	6.6	7.6	8.6	10.6	12.6	13.6	15.6	17.6	18.6	20.6	22.6	23.6	28.6	33.6	38.6	43.6		
567	934	376	619	AC60		6.6	7.7	9.7	11.8	12.8	14.8	16.8	17.8	19.8	21.8	22.8	27.9	32.9	37.9	42.9		
484	799	321	530	AC70			6.7	8.7	10.8	11.8	13.8	15.9	16.9	18.9	21.0	22.0	27.0	32.0	37.0	42.0		
423	698	281	463	AC80				7.8	9.9	10.9	12.9	15.0	16.0	18.0	20.0	21.1	26.1	31.1	36.1	41.1		
376	619	249	411	AC90					8.9	10.0	12.0	14.1	15.1	17.1	19.2	20.2	25.2	30.2	35.3	40.3		
338	557	224	369	AC100					8.1	9.1	11.2	13.2	14.2	16.3	18.3	19.4	24.4	29.5	34.5	39.6		
307	506	203	335	AC110					8.1	10.1	12.3	15.3	15.4	17.5	18.5	23.5	28.6	33.7	38.7			
281	463	186	307	AC120						9.1	11.3	12.3	14.4	16.6	17.6	22.7	27.7	32.8	37.8			
259	427	172	283	AC130							10.1	11.3	13.4	15.4	16.6	21.7	26.8	31.9	37.0			
240	397	159	263	AC140								10.2	12.4	14.4	15.5	20.8	25.9	31.0	36.1			
224	370	149	245	AC150									11.2	13.5	14.5	19.8	25.0	30.1	35.2			
184	303	122	200	AC183												16.6	21.8	27.1	32.2			
					4L	4L	4L	4L	4L	4L	4L	4L	4L	4L	4L	4L	A68	A78	A88	A98		
					260	280	300	340	380	400	440	480	500	540	580	600						

**MODEL NO. 6400 / SPEED AND CENTER DISTANCE TABLE  
USE MOTOR BASE NO. 6000**

DRIVEN SPEED				Companion Sheave	CENTER DISTANCE (INCHES) AT MAXIMUM SPEED POSITION																	
1750 RPM		1160 RPM			8.8	9.8	10.8	11.8	12.8	13.8	15.8	17.8	18.8	20.8	22.8	23.8	28.8	33.8	38.8	43.8		
Min.	Max.	Min.	Max.																			
875	1750	580	1060	AC40																		
776	1552	514	1028	AC45	8.4	9.4	10.4	11.4	12.4	13.4	15.4	17.4	18.4	20.4	22.4	23.4	28.4	33.4	38.4	43.4		
697	1394	462	924	AC50	8.0	9.0	10.0	11.0	12.0	13.0	15.0	17.0	18.0	20.0	22.0	23.0	28.0	33.0	38.0	43.0		
632	1264	419	838	AC55		8.6	9.6	10.6	11.6	12.6	14.6	16.6	17.6	19.6	21.6	22.6	27.6	32.6	37.6	42.6		
578	1156	383	766	AC60		8.1	9.1	10.2	11.2	12.2	14.2	16.2	17.2	19.2	21.2	22.2	27.2	32.2	37.2	42.2		
533	1066	353	706	AC65			8.7	9.7	10.7	11.8	13.8	15.8	16.8	18.8	20.8	21.8	26.8	31.8	36.8	41.8		
495	990	328	656	AC70			8.2	9.2	10.3	11.3	13.3	15.3	16.3	18.4	20.4	21.4	26.4	31.4	36.4	41.4		
432	864	286	572	AC80				8.4	9.4	10.4	12.4	14.5	15.5	17.5	19.5	20.5	25.6	30.6	35.6	40.6		
383	766	254	508	AC90					8.7	9.7	11.7	13.7	14.8	16.8	18.8	19.8	24.9	29.9	35.0	40.0		
345	690	228	456	AC100							10.7	12.7	13.8	15.8	17.9	18.9	24.0	29.0	34.0	39.0		
313	626	208	416	AC110								11.8	12.8	14.9	16.9	18.0	23.0	28.1	33.1	38.1		
287	574	190	380	AC120								10.8	11.8	13.9	16.0	17.0	22.1	27.2	32.2	37.3		
265	530	175	350	AC130										13.0	15.0	16.1	21.2	26.3	31.3	36.4		
246	492	163	326	AC140										11.9	14.0	15.1	20.3	25.4	30.5	35.6		
229	458	151	302	AC150											13.0	14.2	19.4	24.5	29.6	34.7		
188	376	124	248	AC183													16.0	21.4	26.6	31.7		
					4L	4L	4L	4L	4L	4L	4L	4L	4L	4L	4L	4L	A68	A78	A88	A98		
					300	320	340	360	380	400	440	480	500	540	580	600						

**MODEL NO. 6500 / SPEED AND CENTER DISTANCE TABLE  
USE MOTOR BASE NO. 6000**

DRIVEN SPEED				Companion Sheave	CENTER DISTANCE (INCHES) AT MAXIMUM SPEED POSITION																	
1750 RPM		1160 RPM			BC50	7.3	8.3	9.3	10.3	11.3	12.3	14.3	16.3	17.3	19.3	21.3	22.3	27.3	32.3	37.3	42.3	
Min.	Max.	Min.	Max.																			
857	1750	568	1160	BC54	7.0	8.0	9.0	10.0	11.0	12.0	14.0	16.0	17.0	19.0	21.0	22.0	27.0	32.0	37.0	42.0		
735	1502	487	995	BC58		7.7	8.7	9.7	10.7	11.7	13.7	15.7	16.7	18.7	20.7	21.7	26.7	31.7	36.7	41.7		
710	1450	471	961	BC60		7.5	8.5	9.5	10.5	11.5	13.5	15.5	16.5	18.5	20.5	21.5	26.5	31.5	36.5	41.5		
665	1357	441	900	BC64		7.2	8.2	9.2	10.2	11.2	13.2	15.2	16.2	18.2	20.2	21.2	26.2	31.2	36.2	41.2		
625	1276	414	845	BC68			7.8	8.8	9.9	10.9	12.9	14.9	15.9	17.9	19.9	20.9	25.9	30.9	35.9	40.9		
606	1238	402	821	BC70			7.6	8.6	9.6	10.7	12.7	14.7	15.7	17.7	19.7	20.7	25.7	30.7	35.7	40.7		
589	1203	390	797	BC72			7.5	8.5	9.5	10.6	12.6	14.6	15.6	17.6	19.6	20.6	25.6	30.6	35.6	40.6		
543	1109	360	735	BC78				7.9	9.0	10.0	12.0	14.0	15.0	17.0	19.0	20.0	25.1	30.1	35.1	40.1		
469	958	311	635	BC90					8.3	9.3	11.3	13.3	14.3	16.4	18.4	19.4	24.4	29.5	34.5	39.5		
430	879	285	582	BC98							10.2	12.2	13.2	15.2	17.3	18.3	23.3	28.4	33.4	38.4		
369	754	246	500	BC114								10.9	11.9	14.0	16.0	17.0	22.1	27.1	32.2	37.2		
328	670	217	444	BC128									10.5	12.5	14.6	15.6	19.8	25.9	31.0	36.0		
300	612	199	406	BC140										11.5	13.6	14.7	19.8	24.9	30.0	35.0		
265	542	176	359	BC158											11.7	12.7	18.1	23.2	28.3	33.4		
223	454	147	301	BC188													15.0	20.3	25.6	30.7		
					B27	B29	B31	B33	B35	B37	B41	B45	B47	B51	B55	B57	B67	B77	B87	B97		

**MODEL NO. 6600, 66150, 66200 / SPEED AND CENTER DISTANCE TABLE  
USE MOTOR BASE NO. 6000**

DRIVEN SPEED				Companion Sheave	CENTER DISTANCE (INCHES) AT MAXIMUM SPEED POSITION																	
1750 RPM		1160 RPM			BC60	8.7	9.7	10.7	11.7	12.7	13.7	14.7	15.7	16.7	17.7	19.7	20.7	25.7	30.7	35.7	40.7	
Min.	Max.	Min.	Max.																			
774	1692	513	1122	BC62	8.6	9.6	10.6	11.6	12.6	13.6	14.6	15.6	16.6	17.6	19.6	20.6	25.6	30.6	35.6	40.6		
749	1638	496	1086	BC64	8.4	9.4	10.4	11.4	12.4	13.4	14.4	15.4	16.4	17.4	19.4	20.4	25.4	30.4	35.4	40.4		
726	1587	481	1052	BC66	8.3	9.3	10.3	11.3	12.3	13.3	14.3	15.3	16.3	17.3	19.3	20.3	25.3	30.3	35.3	40.3		
704	1539	466	1020	BC68	8.1	9.1	10.1	11.1	12.1	13.1	14.1	15.1	16.1	17.1	19.1	20.1	25.1	30.1	35.1	40.1		
683	1494	453	990	BC70	8.0	9.0	10.0	11.0	12.0	13.0	14.0	15.0	16.0	17.0	19.0	20.0	25.0	30.0	35.0	40.0		
664	1452	440	962	BC72		8.8	9.8	10.8	11.8	12.8	13.8	14.8	15.8	16.8	18.8	19.8	24.8	29.8	34.8	39.8		
612	1338	405	887	BC78		8.2	9.2	10.3	11.3	12.3	13.3	14.3	15.3	16.3	18.3	19.3	24.3	29.3	34.3	39.3		
529	1156	350	766	BC90				9.3	10.3	11.3	12.3	13.3	14.3	15.4	17.4	18.4	23.4	28.4	33.4	38.4		
485	1060	321	703	BC98					9.5	10.5	11.5	12.5	13.6	14.6	16.6	17.6	22.7	27.7	32.7	37.7		
416	909	276	603	BC114							10.1	11.4	12.2	13.2	15.2	16.2	21.2	26.3	31.4	36.4		
370	809	245	536	BC128									10.9	12.0	14.0	15.0	20.1	25.2	30.2	35.2		
338	738	224	489	BC140											12.9	14.0	19.1	24.2	29.3	34.3		
299	653	198	433	BC158												12.1	17.4	22.6	28.6	32.7		
251	548	166	363	BC188													15.2	20.7	25.9	31.0		
					B33	B35	B37	B39	B41	B43	B48	B47	B49	B51	B55	B57	B67	B77	B87	B97		

**ORDERING EXAMPLE FOR COMPLETE DRIVE PACKAGE**

Manual control sheave can be used on driver or driven unit. In this example we will use manual control sheave on driver unit

**Drive Requirements:**

1/3 H.P. Motor @ 1750 RPM  
 Motor Shaft Size: 5/8"  
 Driven Shaft Size: 5/8"

**Desired:**

Speed Range 875 to 3500 RPM  
 Belt Center Distance: 8.3"

**Order:**

Model 6400M x 5/8" Manual Control Sheave  
 MC Control - Control for Manual Control Sheave  
 Model 6400 x 5/8" Spring-Loaded Sheave  
 4L260 Belt

Selection Note: Most efficient drive occurs when manual control and spring-loaded sheave are same diameter.

## Compound Drive Selection Tables

HP Selection	Speed Ratio Selection	Model Number Selection at Motor RPM		Driven Speed				NEMA Motor Frame Numbers
		1750 RPM	1160 RPM	1750 RPM		1160 RPM		
				Min.	Max.	Min.	Max.	
1/4	2.72 : 1	6325-6325M	6325-6325M	1061	2886	703	1913	48, 56, 56H, 66
1/3	2.72 : 1	6325-6325M	6325-6325M	1061	2886	703	1913	48, 56, 56H, 66
1/3	4.00 : 1		6400-6400M			580	2320	48, 56, 56H, 66
1/2	4.00 : 1	6400-6400M		875	3500			48, 56, 56H, 66
1/2	4.17 : 1		6500-6500M			568	2369	56, 56H, 66, 182, 184, 143T, 145T
3/4	4.17 : 1	6500-6500M		857	3574			56, 56H, 66, 182, 184, 143T, 145T
3/4	4.78 : 1		6600-6600M			530	2537	56, 56H, 66, 182, 184, 143T, 145T
1	4.17 : 1	6500-6500M		857	3574			56, 56H, 66, 182, 184, 143T, 145T
1	4.78 : 1	6600-6600M		800	3828			56, 56H, 66, 182, 184, 143T, 145T
1	4.78 : 1		66150-6600M			530	2537	56, 56H, 66, 182, 184, 143T, 145T
1-1/2	4.78 : 1	66150-6600M		800	3828			56, 56H, 66, 182, 184, 143T, 145T
1-1/2	4.78 : 1		66100-6600M			530	2537	56, 56H, 66, 182, 184, 143T, 145T
2	4.78 : 1	66200-6600M		800	3828			56, 56H, 66, 182, 184, 143T, 145T

### CENTER DISTANCE (INCHES) FOR COMPOUND DRIVES

Compound Drive	MANUAL CONTROL SHEAVE AT OPEN POSITION (MINIMUM P.D.) SPRING LOADED SHEAVE AT CLOSED POSITION (MAXIMUM P.D.)															
	5.9	6.4	6.9	7.4	7.9	8.4	8.9	9.9	10.9	12.9	14.9	15.9	17.9	20.9	22.9	25.9
6325 6325M																
6400 6400M			6.2	6.7	7.3	7.8	8.3	9.3	10.3	12.3	14.3	15.3	17.3	20.3	22.3	25.3
	4L 200	4L 210	4L 220	4L 230	4L 240	4L 250	4L 260	4L 280	4L 300	4L 340	4L 380	4L 400	4L 440	4L 500	4L 540	4L 600

### CENTER DISTANCE (INCHES) FOR COMPOUND DRIVES

Compound Drive	MANUAL CONTROL SHEAVE AT OPEN POSITION (MINIMUM P.D.) SPRING LOADED SHEAVE AT CLOSED POSITION (MAXIMUM P.D.)															
	6.0	6.5	7.0	7.5	8.0	9.0	10.0	11.0	12.0	13.0	14.1	16.1	18.1	19.1	21.1	24.1
6500 6500M																
66150 6600 66200 6600M					7.0	8.0	9.1	10.1	11.2	12.2	13.2	15.3	17.3	18.3	20.3	23.3
	B21	B22	B23	B24	B25	B27	B29	B31	B33	B35	B37	B41	B45	B47	B51	B57

# USEFUL ENGINEERING FORMULAS

## Horsepower

Horsepower (HP) is the rate of doing work. One HP is equal to raising 33,000 pounds one foot in one minute.

$$HP = \frac{\text{Force} \times \text{FPM}}{33,000}$$

$$HP = \frac{\text{Torque (in Inch-Pounds)} \times \text{RPM}}{63,025}$$

$$HP = \frac{\text{Torque (in Foot-Pounds)} \times \text{RPM}}{5,252}$$

## Torque

Torque (T) is a turning movement or twisting effort.

$$T \text{ (in Inch-Pounds)} = \frac{63,025 \times \text{HP}}{\text{RPM}}$$

$$= \text{Force} \times \text{Lever Arm (in Inches)}$$

$$T \text{ (in Foot-Pounds)} = \frac{5,252 \times \text{HP}}{\text{RPM}}$$

$$= \text{Force} \times \text{Lever Arm (in Feet)}$$

## Belt Speed

$$\text{FPM} = \text{Diameter (in.)} \times \text{RPM} \times .262$$

## Revolutions Per Minute

$$\text{RPM} = \frac{\text{FPM}}{.262 \times \text{Diameter (in.)}}$$

## Belt Drive Tensions

The effective tension ( $T_e$ ) is the difference between the tight side tension ( $T_1$ ) and the slack side tension ( $T_2$ ). It is the force available for transmitting the load.

$$T_e = (T_1 - T_2) = \frac{\text{HP} \times 33,000}{\text{FPM}}$$

## Belt Length

To determine the belt length to use for a V-belt drive when the center distance and sheave diameters are known:

$$L = 2C + 1.57(D + d) + \frac{(D - d)^2}{4C}$$

## Flywheel Formulas

The weight of a cast iron rim (lbs.) = mean rim diameter (inches)  $\times$  rim thickness (inches)  $\times$  width of rim (inches)  $\times$  .82.

The flywheel effect, commonly referred to as  $WR^2$  or  $WK^2$  can be figured for any rim in lb. ft.<sup>2</sup>

$$WR^2 = \text{Weight of rim (lbs.)} \times \text{mean radius (feet)}^2$$

$$T \text{ (in Inch-Pounds)} = \frac{.039(N_2 - N_1)(WR^2)}{t}$$

## V-Belt Drive Shaft Loads

To calculate the shaft loading resulting from the minimum belt tensions required to transmit a given torque:

$$\text{Minimum Belt Pull } (T_1 + T_2) = \left( \frac{2.5 - A_c}{A_c} \right) \times \left( \frac{33,000 \times \text{Design HP}}{\text{FPM}} \right)$$

The maximum belt pull will approximate 1.5 times the above value depending upon belt tensions.

## Center Distance

To determine the actual center distance (C) on which a given V-belt drive will operate:

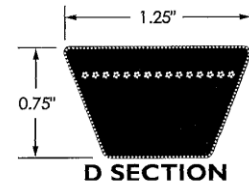
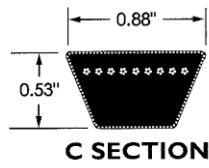
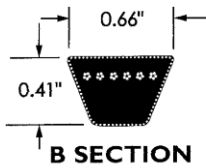
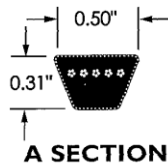
$$\text{compute } A = L - 1.57(D + d)$$

$$C = \frac{[A - h(D - d)]}{2}$$

The "h" factors are listed in the following table:

Center Distance Factor, "h"

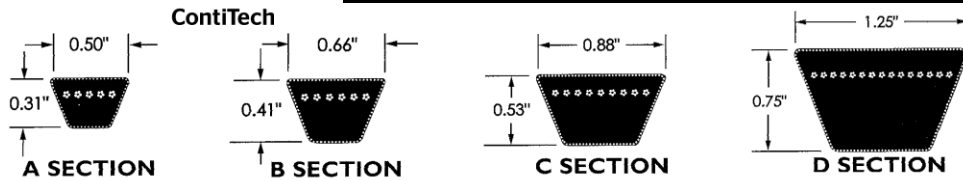
$\frac{D-d}{A}$	h	$\frac{D-d}{A}$	h	$\frac{D-d}{A}$	h	$\frac{D-d}{A}$	h
0.00	0.00	0.16	0.08	0.30	0.16	0.43	0.24
0.02	0.01	0.18	0.09	0.32	0.17	0.44	0.25
0.04	0.02	0.20	0.10	0.34	0.18	0.46	0.26
0.06	0.03	0.21	0.11	0.35	0.19	0.47	0.27
0.08	0.04	0.23	0.12	0.37	0.20	0.48	0.28
0.10	0.05	0.25	0.13	0.39	0.21	0.50	0.29
0.12	0.06	0.27	0.14	0.40	0.22	0.51	0.30
0.14	0.07	0.29	0.15	0.41	0.23		



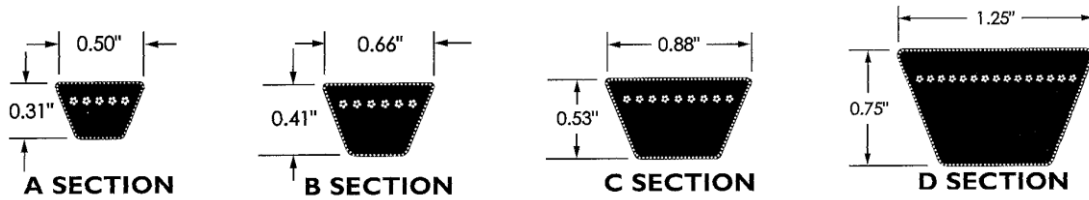
## A SECTION HY-T<sup>®</sup> BELTS: Top Width = 0.50" Thickness = 0.31"

BELT NO.	NOM. PITCH LGTH.	NOM. OUTS. LGTH.	HY-T		BELT NO.	NOM. PITCH LGTH.	NOM. OUTS. LGTH.	HY-T
			WT LB					WT LB
A20 (4L220)	21.3	22.0	.10		A66 (4L680)	67.3	68.0	.37
A21 (4L230)	22.3	23.0	.10		A67 (4L690)	68.3	69.0	.38
A22 (4L240)	23.3	24.0	.11		A68 (4L700)	69.3	70.0	.38
A23 (4L250)	24.3	25.0	.11		A69 (4L710)	70.3	71.0	.39
A24 (4L260)	25.3	26.0	.12		A70 (4L720)	71.3	72.0	.39
A25 (4L270)	26.3	27.0	.12		A71 (4L730)	72.3	73.0	.38
A26 (4L280)	27.3	28.0	.16		A72 (4L740)	73.3	74.0	.40
A27 (4L290)	28.3	29.0	.16		A73 (4L750)	74.3	75.0	.39
A28 (4L300)	29.3	30.0	.16		A74 (4L760)	75.3	76.0	.42
A29 (4L310)	30.3	31.0	.17		A75 (4L770)	76.3	77.0	.42
A30 (4L320)	31.3	32.0	.18		A76 (4L780)	77.3	78.0	.43
A31 (4L330)	32.3	33.0	.18		A77 (4L790)	78.3	79.0	.43
A32 (4L340)	33.3	34.0	.19		A78 (4L800)	79.3	80.0	.44
A33 (4L350)	34.3	35.0	.19		A79 (4L810)	80.3	81.0	.42
A34 (4L360)	35.3	36.0	.20		A80 (4L820)	81.3	82.0	.45
A35 (4L370)	36.3	37.0	.20		A81 (4L830)	82.3	83.0	.45
A36 (4L380)	37.3	38.0	.21		A82 (4L840)	83.3	84.0	.46
A37 (4L390)	38.3	39.0	.21		A83 (4L850)	84.3	85.0	.44
A38 (4L400)	39.3	40.0	.22		A84 (4L860)	85.3	86.0	.47
A39 (4L410)	40.3	41.0	.23		A85 (4L870)	86.3	87.0	.48
A40 (4L420)	41.3	42.0	.23		A86 (4L880)	87.3	88.0	.48
A41 (4L430)	42.3	43.0	.24		A87 (4L890)	88.3	89.0	.46
A42 (4L440)	43.3	44.0	.24		A88 (4L900)	89.3	90.0	.49
A43 (4L450)	44.3	45.0	.25		A89 (4L910)	90.3	91.0	.50
A44 (4L460)	45.3	46.0	.25		A90 (4L920)	91.3	92.0	.50
A45 (4L470)	46.3	47.0	.25		A91 (4L930)	92.3	93.0	.51
A46 (4L480)	47.3	48.0	.26		A92 (4L940)	93.3	94.0	.49
A47 (4L490)	48.3	49.0	.26		A93 (4L950)	94.3	95.0	.52
A48 (4L500)	49.3	50.0	.27		A94 (4L960)	95.3	96.0	.52
A49 (4L510)	50.3	51.0	.28		A95 (4L970)	96.3	97.0	.53
A50 (4L520)	51.3	52.0	.29		A96 (4L980)	97.3	98.0	.53
A51 (4L530)	52.3	53.0	.29		A97 (4L990)	98.3	99.0	.54
A52 (4L540)	53.3	54.0	.30		A98 (4L1000)	99.3	100.0	.55
A53 (4L550)	54.3	55.0	.30		A100	101.3	102.0	.56
A54 (4L560)	55.3	56.0	.29		A103	104.3	105.0	.66
A55 (4L570)	56.3	57.0	.30		A105	106.3	107.0	.58
A56 (4L580)	57.3	58.0	.32		A110	111.3	112.0	.70
A57 (4L590)	58.3	59.0	.31		A112	113.3	114.0	.62
A58 (4L600)	59.3	60.0	.33		A120	121.3	122.0	.76
A59 (4L610)	60.3	61.0	.33		A128	129.3	130.0	.86
A60 (4L620)	61.3	62.0	.34		A133	134.3	135.0	.89
A61 (4L630)	62.3	63.0	.35		A136	137.3	138.0	.91
A62 (4L640)	63.3	64.0	.35		A144	145.3	146.0	.97
A63 (4L650)	64.3	65.0	.36		A158	159.3	160.0	1.06
A64 (4L660)	65.3	66.0	.36		A173	174.3	175.0	1.16
A65 (4L670)	66.3	67.0	.37		A180	181.3	182.0	1.20

# HY-T® PLUS (CLASSICAL)



B SECTION HY-T® BELTS: Top Width = 0.66" Thickness = 0.41"								
BELT NO.	NOM. PITCH LGTH.	NOM. OUTS. LGTH.	HY-T WT LB		BELT NO.	NOM. PITCH LGTH.	NOM. OUTS. LGTH.	HY-T WT LB
B22 (5L250)	23.8	25.0	.20		B79 (5L820)	80.8	82.0	.81
B23 (5L260)	24.8	26.0	.21		B80 (5L830)	81.8	83.0	.77
B24 (5L270)	25.8	27.0	.21		B81 (5L840)	82.8	84.0	.83
B25 (5L280)	26.8	28.0	.22		B82 (5L850)	83.8	85.0	.79
B26 (5L290)	27.8	29.0	.23		B83 (5L860)	84.8	86.0	.85
B27 (5L300)	28.8	30.0	.24		B84 (5L870)	85.8	87.0	.86
B28 (5L310)	29.8	31.0	.25		B85 (5L880)	86.8	88.0	.87
B29 (5L320)	30.8	32.0	.25		B86 (5L890)	87.8	89.0	.88
B30 (5L330)	31.8	33.0	.26		B87 (5L900)	88.8	90.0	.89
B31 (5L340)	32.8	34.0	.27		B88 (5L910)	89.8	91.0	.90
B32 (5L350)	33.8	35.0	.28		B89 (5L920)	90.8	92.0	.85
B33 (5L360)	34.8	36.0	.29		B90 (5L930)	91.8	93.0	.86
B34 (5L370)	35.8	37.0	.29		B91 (5L940)	92.8	94.0	.87
B35 (5L380)	36.8	38.0	.38		B92 (5L950)	93.8	95.0	.94
B36 (5L390)	37.8	39.0	.36		B93 (5L960)	94.8	96.0	.89
B37 (5L400)	38.8	40.0	.37		B94 (5L970)	95.8	97.0	.90
B38 (5L410)	39.8	41.0	.41		B95 (5L980)	96.8	98.0	.97
B39 (5L420)	40.8	42.0	.39		B96 (5L990)	97.8	99.0	.92
B40 (5L430)	41.8	43.0	.40		B97 (5L1000)	98.8	100.0	.99
B41 (5L440)	42.8	44.0	.41		B98	99.8	101.0	.94
B42 (5L450)	43.8	45.0	.45		B99	100.8	102.0	.94
B43 (5L460)	44.8	46.0	.43		B100	101.8	103.0	1.02
B44 (5L470)	45.8	47.0	.44		B101	102.8	104.0	.97
B45 (5L480)	46.8	48.0	.48		B103	104.8	106.0	1.05
B46 (5L490)	47.8	49.0	.49		B105	106.8	108.0	1.07
B47 (5L500)	48.8	50.0	.50		B108	109.8	111.0	1.03
B48 (5L510)	49.8	51.0	.51		B111	112.8	114.0	1.13
B49 (5L520)	50.8	52.0	.48		B112	113.8	115.0	1.07
B50 (5L530)	51.8	53.0	.52		B115	116.8	118.0	1.17
B51 (5L540)	52.8	54.0	.54		B116	117.8	119.0	1.11
B52 (5L550)	53.8	55.0	.54		B118	119.8	121.0	1.21
B53 (5L560)	54.8	56.0	.55		B120	121.8	123.0	1.21
B54 (5L570)	55.8	57.0	.56		B124	125.8	127.0	1.36
B55 (5L580)	56.8	58.0	.57		B128	129.8	131.0	1.29
B56 (5L590)	57.8	59.0	.58		B133	134.8	136.0	1.46
B57 (5L600)	58.8	60.0	.59		B136	137.8	139.0	1.49
B58 (5L610)	59.8	61.0	.60		B140	141.8	143.0	1.53
B59 (5L620)	60.8	62.0	.61		B144	145.8	147.0	1.57
B60 (5L630)	61.8	63.0	.62		B148	149.8	151.0	1.62
B61 (5L640)	62.8	64.0	.63		B150	151.8	153.0	1.64
B62 (5L650)	63.8	65.0	.64		B154	155.8	157.0	1.68
B63 (5L660)	64.8	66.0	.65		B158	159.8	161.0	1.72
B64 (5L670)	65.8	67.0	.66		B162	163.8	165.0	1.77
B65 (5L680)	66.8	68.0	.67		B173	174.8	176.0	1.88
B66 (5L690)	67.8	69.0	.68		B180	181.8	183.0	1.96
B67 (5L700)	68.8	70.0	.65		B190	191.8	193.0	2.06
B68 (5L710)	69.8	71.0	.70		B195	196.8	198.0	2.12
B69 (5L720)	70.8	72.0	.71		B205	206.8	208.0	2.22
B70 (5L730)	71.8	73.0	.72		B210	211.8	213.0	2.28
B71 (5L740)	72.8	74.0	.69		B225	226.8	228.0	2.42
B72 (5L750)	73.8	75.0	.74		B240	241.8	243.0	2.58
B73 (5L760)	74.8	76.0	.75		B255	256.8	258.0	2.74
B74 (5L770)	75.8	77.0	.71		B270	271.8	273.0	2.90
B75 (5L780)	76.8	78.0	.72		B285	286.8	288.0	3.06
B76 (5L790)	77.8	79.0	.73		B300	301.8	303.0	3.22
B77 (5L800)	78.8	80.0	.79		B315	316.8	318.0	3.27
B78 (5L810)	79.8	81.0	.80					

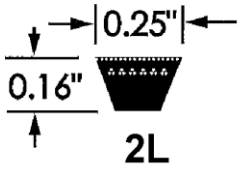


<b>C SECTION HY-T® BELTS: Top Width = 0.88" Thickness = 0.53"</b>											
BELT NO.	NOM. PITCH LGTH.	NOM. OUTS. LGTH.	HY-T WT LB	BELT NO.	NOM. PITCH LGTH.	NOM. OUTS. LGTH.	HY-T WT LB	BELT NO.	NOM. PITCH LGTH.	NOM. OUTS. LGTH.	HY-T WT LB
C51	53.9	55.0	.92	C101	103.9	105.0	1.77	C180	182.9	184.0	3.42
C55	57.9	59.0	.99	C105	107.9	109.0	1.83	C190	192.9	194.0	3.61
C60	62.9	64.0	1.07	C106	108.9	110.0	1.85	C195	197.9	199.0	3.70
C68	70.9	72.0	1.21	C108	110.9	112.0	1.88	C210	212.9	214.0	4.04
C71	73.9	75.0	1.27	C109	111.9	113.0	1.90	C225	225.9	227.0	4.29
C72	74.9	76.0	1.29	C112	114.9	116.0	1.95	C240	240.9	242.0	4.57
C75	77.9	79.0	1.32	C115	117.9	119.0	2.00	C255	255.9	257.0	4.85
C78	80.9	82.0	1.38	C120	122.9	124.0	2.08	C270	270.9	272.0	5.13
C81	83.9	85.0	1.43	C124	126.9	128.0	2.43	C285	285.9	287.0	5.42
C85	87.9	89.0	1.50	C128	130.9	132.0	2.21	C300	300.9	302.0	5.70
C90	92.9	94.0	1.58	C136	138.9	140.0	2.61	C315	315.9	317.0	6.00
C93	95.9	97.0	1.64	C144	146.9	148.0	2.76	C330	330.9	332.0	6.29
C96	98.9	100.0	1.68	C150	152.9	154.0	2.87	C345	345.9	347.0	6.57
C97	99.9	101.0	1.69	C158	160.9	162.0	3.01	C360	360.9	362.0	6.85
C99	101.9	103.0	1.74	C162	164.9	166.0	3.09	C390	390.9	392.0	7.42
C100	102.9	104.0	1.75	C173	175.9	177.0	3.29	C420	420.9	422.0	7.98

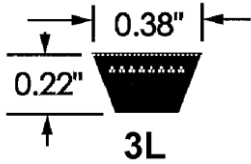
<b>D SECTION HY-T® BELTS: Top Width = 1.25" Thickness = 0.75"</b>											
BELT NO.	NOM. PITCH LGTH.	NOM. OUTS. LGTH.	HY-T WT LB	BELT NO.	NOM. PITCH LGTH.	NOM. OUTS. LGTH.	HY-T WT LB	BELT NO.	NOM. PITCH LGTH.	NOM. OUTS. LGTH.	HY-T WT LB
D112	115.3	117.0	4.19	D210	213.3	215.0	8.45	D345	345.8	347.5	13.69
D120	123.3	125.0	4.94	D225	225.8	227.5	8.96	D360	360.8	362.5	14.28
D128	131.3	133.0	5.26	D240	240.8	242.5	9.54	D390	390.8	392.5	15.45
D144	147.3	149.0	5.88	D255	255.8	257.5	10.13	D420	420.8	422.5	16.63
D158	161.3	163.0	6.43	D270	270.8	272.5	10.71	D450	450.8	452.5	17.80
D162	165.3	167.0	6.58	D285	285.8	287.5	11.30	D480	480.8	482.5	18.98
D173	176.3	178.0	7.01	D300	300.8	302.5	11.88	D540	540.8	542.5	21.33
D180	183.3	185.0	7.28	D315	315.8	317.5	12.52				
D195	198.3	200.0	7.87	D330	330.8	332.5	13.10				

<b>E SECTION HY-T® BELTS: Top Width = 1.50" Thickness = 0.91"</b>											
BELT NO.	NOM. PITCH LGTH.	NOM. OUTS. LGTH.	HY-T WT LB	BELT NO.	NOM. PITCH LGTH.	NOM. OUTS. LGTH.	HY-T WT LB	BELT NO.	NOM. PITCH LGTH.	NOM. OUTS. LGTH.	HY-T WT LB
E180	184.5	187.5	9.88	E300	301.0	304.0	16.16	E420	421.0	424.0	23.08
E195	199.5	202.5	10.79	E330	331.0	334.0	18.19	E480	481.0	484.0	26.34
E210	214.5	217.5	11.59	E360	361.0	364.0	19.82	E540	541.0	544.0	30.30
E240	241.5	244.0	12.99	E390	391.0	394.0	21.45	E600	601.0	604.0	33.70
E270	271.5	274.0	14.57								

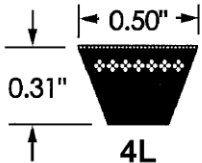
**NOTE: "E" SECTION BELTS ARE FOR REPLACEMENT ON EXISTING DRIVES ONLY. NEVER USE FOR NEW DRIVE DESIGN.**



2L SECTION FHP BELTS: Top Width = 0.25" Thickness = 0.16"											
BELT NO.	INSIDE LGTH (IN.)	OUTS LGTH (IN)	FHP WT LB	BELT NO.	INSIDE LGTH (IN.)	OUTS LGTH (IN)	FHP WT LB	BELT NO.	INSIDE LGTH (IN.)	OUTS LGTH (IN)	FHP WT LB
2L120	11.0	12.0	.02	2L190	18.0	19.0	.03	2L260	25.0	26.0	.04
2L140	13.0	14.0	.02	2L200	19.0	20.0	.03	2L300	29.0	30.0	.05
2L150	14.0	15.0	.02	2L220	21.0	22.0	.03	2L310	30.0	31.0	.05
2L160	15.0	16.0	.03	2L240	23.0	24.0	.04	2L320	31.0	32.0	.05
2L180	17.0	18.0	.03								

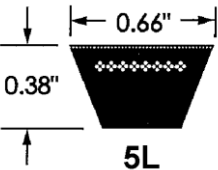


3L SECTION FHP BELTS: Top Width = 0.38" Thickness = 0.22"											
BELT NO.	INSIDE LGTH (IN.)	OUTS LGTH (IN)	FHP WT LB	BELT NO.	INSIDE LGTH (IN.)	OUTS LGTH (IN)	FHP WT LB	BELT NO.	INSIDE LGTH (IN.)	OUTS LGTH (IN)	FHP WT LB
3L120	10.7	12.0	.04	3L320	30.7	32.0	.11	3L520	50.7	52.0	.17
3L130	11.7	13.0	.05	3L330	31.7	33.0	.11	3L530	51.7	53.0	.18
3L140	12.7	14.0	.05	3L340	32.7	34.0	.12	3L540	52.7	54.0	.18
3L150	13.7	15.0	.05	3L350	33.7	35.0	.12	3L550	53.7	55.0	.18
3L160	14.7	16.0	.06	3L360	34.7	36.0	.12	3L560	54.7	56.0	.19
3L170	15.7	17.0	.06	3L370	35.7	37.0	.12	3L570	55.7	57.0	.19
3L180	16.7	18.0	.06	3L380	36.7	38.0	.13	3L580	56.7	58.0	.19
3L190	17.7	19.0	.07	3L390	37.7	39.0	.13	3L590	57.7	59.0	.20
3L200	18.7	20.0	.07	3L400	38.7	40.0	.13	3L600	58.7	60.0	.20
3L210	19.7	21.0	.07	3L410	39.7	41.0	.14	3L610	59.7	61.0	.20
3L220	20.7	22.0	.08	3L420	40.7	42.0	.14	3L620	60.7	62.0	.21
3L230	21.7	23.0	.08	3L430	41.7	43.0	.14	3L630	61.7	63.0	.21
3L240	22.7	24.0	.08	3L440	42.7	44.0	.15	3L640	62.7	64.0	.21
3L250	23.7	25.0	.09	3L450	43.7	45.0	.15	3L650	63.7	65.0	.22
3L260	24.7	26.0	.09	3L460	44.7	46.0	.15	3L660	64.7	66.0	.22
3L270	25.7	27.0	.09	3L470	45.7	47.0	.16	3L670	65.7	67.0	.22
3L280	26.7	28.0	.10	3L480	46.7	48.0	.16	3L690	67.7	69.0	.23
3L290	27.7	29.0	.10	3L490	47.7	49.0	.16	3L730	71.7	73.0	.24
3L300	28.7	30.0	.10	3L500	48.7	50.0	.17	3L740	72.7	74.0	.25
3L310	29.7	31.0	.11	3L510	49.7	51.0	.17	3L760	74.7	76.0	.25



All "4L" Belts Feature ContiTech's Exclusive Molded Cog Design For Smoother, Cooler and Quieter Running Drives

4L SECTION FHP BELTS: Top Width = 0.50" Thickness = 0.31"											
BELT NO.	INSIDE LGTH (IN.)	OUTS LGTH (IN)	FHP WT LB	BELT NO.	INSIDE LGTH (IN.)	OUTS LGTH (IN)	FHP WT LB	BELT NO.	INSIDE LGTH (IN.)	OUTS LGTH (IN)	FHP WT LB
4L150	13.0	15.0	.09	4L310	29.0	31.0	.16	4L470	45.0	47.0	.24
4L160	14.0	16.0	.08	4L320	30.0	32.0	.16	4L480	46.0	48.0	.24
4L170	15.0	17.0	.09	4L330	31.0	33.0	.17	4L490	47.0	49.0	.24
4L180	16.0	18.0	.09	4L340	32.0	34.0	.17	4L500	48.0	50.0	.25
4L190	17.0	19.0	.10	4L350	33.0	35.0	.18	4L510	49.0	51.0	.25
4L200	18.0	20.0	.10	4L360	34.0	36.0	.18	4L520	50.0	52.0	.26
4L210	19.0	21.0	.11	4L370	35.0	37.0	.19	4L530	51.0	53.0	.26
4L220	20.0	22.0	.11	4L380	36.0	38.0	.19	4L540	52.0	54.0	.27
4L230	21.0	23.0	.12	4L390	37.0	39.0	.20	4L550	53.0	55.0	.27
4L240	22.0	24.0	.12	4L400	38.0	40.0	.20	4L560	54.0	56.0	.28
4L250	23.0	25.0	.13	4L410	39.0	41.0	.21	4L570	55.0	57.0	.28
4L260	24.0	26.0	.13	4L420	40.0	42.0	.21	4L580	56.0	58.0	.29
4L270	25.0	27.0	.14	4L430	41.0	43.0	.22	4L590	57.0	59.0	.29
4L280	26.0	28.0	.14	4L440	42.0	44.0	.22	4L600	58.0	60.0	.30
4L290	27.0	29.0	.15	4L450	43.0	45.0	.23				
4L300	28.0	30.0	.15	4L460	44.0	46.0	.23				



All "5L" Belts Feature ContiTech's Exclusive Molded Cog Design For Smoother, Cooler and Quieter Running Drives

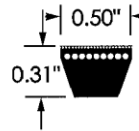
5L SECTION FHP BELTS: Top Width = 0.66" Thickness = 0.38"											
BELT NO.	INSIDE LGTH (IN.)	OUTS LGTH (IN)	FHP WT LB	BELT NO.	INSIDE LGTH (IN.)	OUTS LGTH (IN)	FHP WT LB	BELT NO.	INSIDE LGTH (IN.)	OUTS LGTH (IN)	FHP WT LB
5L230	20.0	23.0	.18	5L350	32.0	35.0	.27	5L470	44.0	47.0	.36
5L240	21.0	24.0	.19	5L360	33.0	36.0	.28	5L480	45.0	48.0	.37
5L250	22.0	25.0	.20	5L370	34.0	37.0	.29	5L490	46.0	49.0	.38
5L260	23.0	26.0	.20	5L380	35.0	38.0	.29	5L500	47.0	50.0	.38
5L270	24.0	27.0	.21	5L390	36.0	39.0	.30	5L510	48.0	51.0	.39
5L280	25.0	28.0	.22	5L400	37.0	40.0	.31	5L520	49.0	52.0	.40
5L290	26.0	29.0	.23	5L410	38.0	41.0	.32	5L530	50.0	53.0	.41
5L300	27.0	30.0	.23	5L420	39.0	42.0	.32	5L540	51.0	54.0	.41
5L310	28.0	31.0	.24	5L430	40.0	43.0	.33	5L550	52.0	55.0	.42
5L320	29.0	32.0	.25	5L440	41.0	44.0	.34	5L560	53.0	56.0	.43
5L330	30.0	33.0	.26	5L450	42.0	45.0	.35				
5L340	31.0	34.0	.26	5L460	43.0	46.0	.35				



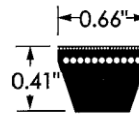
ContiTech



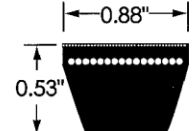
SIDE VIEW



AX



BX



CX

**AX SECTION TORQUE-FLEX® BELTS: Top Width = 0.50" Thickness = 0.31"**

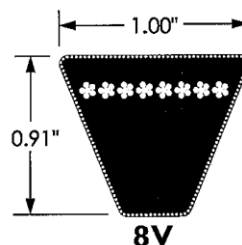
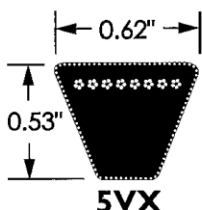
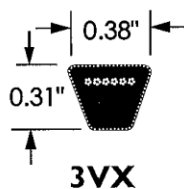
BELT NO.	NOM. PITCH LGTH.	NOM. OUTS. LGTH.	T-F		BELT NO.	NOM. PITCH LGTH.	NOM. OUTS. LGTH.	T-F		BELT NO.	NOM. PITCH LGTH.	NOM. OUTS. LGTH.	T-F	
			WT	LB				WT	LB				WT	LB
AX21T	22.3	23.0	.15		AX43T	44.3	45.0	.29		AX63T	64.3	65.0	.41	
AX22T	23.3	24.0	.16		AX44T	45.3	46.0	.29		AX64T	65.3	66.0	.42	
AX23T	24.3	25.0	.16		AX45T	46.3	47.0	.30		AX65T	66.3	67.0	.42	
AX24T	25.3	26.0	.17		AX46T	47.3	48.0	.31		AX66T	67.3	68.0	.43	
AX26T	27.3	28.0	.18		AX47T	48.3	49.0	.31		AX67T	68.3	69.0	.43	
AX27T	28.3	29.0	.19		AX48T	49.3	50.0	.32		AX68T	69.3	70.0	.44	
AX28T	29.3	30.0	.19		AX49T	50.3	51.0	.32		AX69T	70.3	71.0	.45	
AX29T	30.3	31.0	.20		AX50T	51.3	52.0	.33		AX70T	71.3	72.0	.45	
AX30T	31.3	32.0	.21		AX51T	52.3	53.0	.34		AX71T	72.3	73.0	.46	
AX31T	32.3	33.0	.21		AX52T	53.3	54.0	.34		AX72T	73.3	74.0	.46	
AX32T	33.3	34.0	.22		AX53T	54.3	55.0	.35		AX73T	74.3	75.0	.47	
AX33T	34.3	35.0	.23		AX54T	55.3	56.0	.35		AX74T	75.3	76.0	.48	
AX34T	35.3	36.0	.23		AX55T	56.3	57.0	.36		AX75T	76.3	77.0	.48	
AX35T	36.3	37.0	.24		AX56T	57.3	58.0	.37		AX76T	77.3	78.0	.49	
AX36T	37.3	38.0	.24		AX57T	58.3	59.0	.37		AX77T	78.3	79.0	.49	
AX37T	38.3	39.0	.25		AX58T	59.3	60.0	.38		AX78T	79.3	80.0	.50	
AX38T	39.3	40.0	.26		AX59T	60.3	61.0	.38		AX79T	80.3	81.0	.51	
AX39T	40.3	41.0	.26		AX60T	61.3	62.0	.39		AX80T	81.3	82.0	.51	
AX40T	41.3	42.0	.27		AX61T	62.3	63.0	.40		AX81T	82.3	83.0	.52	
AX41T	42.3	43.0	.27		AX62T	63.3	64.0	.40		AX82T	83.3	84.0	.53	
AX42T	43.3	44.0	.28											

**BX SECTION TORQUE-FLEX® BELTS: Top Width = 0.66" Thickness = 0.41"**

BELT NO.	NOM. PITCH LGTH.	NOM. OUTS. LGTH.	T-F		BELT NO.	NOM. PITCH LGTH.	NOM. OUTS. LGTH.	T-F		BELT NO.	NOM. PITCH LGTH.	NOM. OUTS. LGTH.	T-F	
			WT	LB				WT	LB				WT	LB
BX28T	29.8	31.0	.30		BX59T	60.8	62.0	.58		BX84T	85.8	87.0	.81	
BX32T	33.8	35.0	.33		BX60T	61.8	63.0	.59		BX85T	86.8	88.0	.82	
BX34T	35.8	37.0	.35		BX61T	62.8	64.0	.60		BX86T	87.8	89.0	.83	
BX35T	36.8	38.0	.36		BX62T	63.8	65.0	.61		BX87T	88.8	90.0	.84	
BX36T	37.8	39.0	.37		BX63T	64.8	66.0	.62		BX88T	89.8	91.0	.85	
BX38T	39.8	41.0	.39		BX64T	65.8	67.0	.63		BX89T	90.8	92.0	.86	
BX40T	41.8	43.0	.41		BX65T	66.8	68.0	.64		BX90T	91.8	93.0	.87	
BX41T	42.8	44.0	.42		BX66T	67.8	69.0	.65		BX91T	92.8	94.0	.88	
BX42T	43.8	45.0	.43		BX67T	68.8	70.0	.66		BX92T	93.8	95.0	.89	
BX43T	44.8	46.0	.44		BX68T	69.8	71.0	.67		BX93T	94.8	96.0	.90	
BX44T	45.8	47.0	.45		BX69T	70.8	72.0	.68		BX94T	95.8	97.0	.90	
BX45T	46.8	48.0	.45		BX70T	71.8	73.0	.68		BX95T	96.8	98.0	.91	
BX46T	47.8	49.0	.46		BX71T	72.8	74.0	.69		BX96T	97.8	99.0	.92	
BX47T	48.8	50.0	.47		BX72T	73.8	75.0	.70		BX97T	98.8	100.0	.93	
BX48T	49.8	51.0	.48		BX73T	74.8	76.0	.71		BX98T	99.8	101.0	.94	
BX49T	50.8	52.0	.49		BX74T	75.8	77.0	.72		BX99T	100.8	102.0	.95	
BX50T	51.8	53.0	.50		BX75T	76.8	78.0	.73		BX100T	101.8	103.0	.96	
BX51T	52.8	54.0	.51		BX76T	77.8	79.0	.74		BX103T	104.8	106.0	.99	
BX52T	53.8	55.0	.52		BX77T	78.8	80.0	.75		BX105T	106.8	108.0	1.01	
BX53T	54.8	56.0	.53		BX78T	79.8	81.0	.76		BX106T	107.8	109.0	1.02	
BX54T	55.8	57.0	.54		BX79T	80.8	82.0	.77		BX108T	109.8	111.0	1.03	
BX55T	56.8	58.0	.55		BX80T	81.8	83.0	.78		BX112T	113.8	115.0	1.07	
BX56T	57.8	59.0	.56		BX81T	82.8	84.0	.79		BX113T	114.8	116.0	1.08	
BX57T	58.8	60.0	.56		BX82T	83.8	85.0	.79		BX115T	116.8	118.0	1.10	
BX58T	59.8	61.0	.57		BX83T	84.8	86.0	.80		BX116T	117.8	119.0	1.26	

**CX SECTION TORQUE-FLEX® BELTS: Top Width = 0.88" Thickness = 0.53"**

BELT NO.	NOM. PITCH LGTH.	NOM. OUTS. LGTH.	T-F		BELT NO.	NOM. PITCH LGTH.	NOM. OUTS. LGTH.	T-F		BELT NO.	NOM. PITCH LGTH.	NOM. OUTS. LGTH.	T-F	
			WT	LB				WT	LB				WT	LB
CX51T	53.9	55.0	1.02		CX85T	87.9	89.0	1.62		CX112T	114.9	116.0	2.10	
CX55T	57.9	59.0	1.09		CX90T	92.9	94.0	1.71		CX115T	117.9	119.0	2.26	
CX60T	62.9	64.0	1.18		CX96T	98.9	100.0	1.82		CX120T	122.9	124.0	2.20	
CX68T	70.9	72.0	1.32		CX100T	102.9	104.0	1.89		CX128T	130.9	132.0	2.34	
CX72T	74.9	76.0	1.39		CX101T	103.9	105.0	1.90		CX136T	138.9	140.0	2.83	
CX75T	77.9	79.0	1.44		CX105T	107.9	109.0	1.98		CX144T	146.9	148.0	2.99	
CX78T	80.9	82.0	1.50		CX109T	111.9	113.0	2.05		CX150T	152.9	154.0	3.11	
CX81T	83.9	85.0	1.55		CX111T	113.9	115.0	2.08		CX158T	160.9	162.0	3.27	



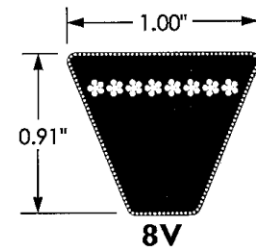
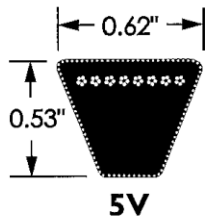
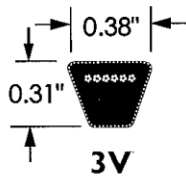
## COGGED SIZES

### 3VX HY-T<sup>®</sup> WEDGE BELTS: Top Width = 0.38" Thickness = 0.31"

BELT NO.	EFFECTIVE OUTSIDE LENGTH	WT LB	BELT NO.	EFFECTIVE OUTSIDE LENGTH	WT LB	BELT NO.	EFFECTIVE OUTSIDE LENGTH	WT LB
3VX250	25.0	.11	3VX475	47.5	.20	3VX900	90.0	.37
3VX265	26.5	.11	3VX500	50.0	.21	3VX950	95.0	.39
3VX280	28.0	.12	3VX530	53.0	.22	3VX1000	100.0	.41
3VX300	30.0	.13	3VX560	56.0	.23	3VX1060	106.0	.44
3VX315	31.5	.13	3VX600	60.0	.25	3VX1120	112.0	.46
3VX335	33.5	.14	3VX630	63.0	.26	3VX1180	118.0	.49
3VX355	35.5	.15	3VX670	67.0	.28	3VX1250	125.0	.58
3VX375	37.5	.16	3VX710	71.0	.29	3VX1320	132.0	.61
3VX400	40.0	.17	3VX750	75.0	.31	3VX1400	140.0	.65
3VX425	42.5	.18	3VX800	80.0	.33	3VX1500	150.0	.62
3VX450	45.0	.19	3VX850	85.0	.35			

### 5VX HY-T<sup>®</sup> WEDGE BELTS: Top Width = 0.62" Thickness = 0.53"

BELT NO.	EFFECTIVE OUTSIDE LENGTH	WT LB	BELT NO.	EFFECTIVE OUTSIDE LENGTH	WT LB	BELT NO.	EFFECTIVE OUTSIDE LENGTH	WT LB
5VX450	45.0	.44	5VX680	68.0	.66	5VX1000	100.0	.97
5VX470	47.0	.46	5VX690	69.0	.67	5VX1030	103.0	1.00
5VX490	49.0	.48	5VX710	71.0	.69	5VX1060	106.0	1.03
5VX500	50.0	.49	5VX730	73.0	.71	5VX1080	108.0	1.04
5VX510	51.0	.50	5VX740	74.0	.72	5VX1120	112.0	1.08
5VX530	53.0	.52	5VX750	75.0	.73	5VX1150	115.0	1.11
5VX540	54.0	.53	5VX780	78.0	.76	5VX1180	118.0	1.14
5VX550	55.0	.54	5VX800	80.0	.78	5VX1230	123.0	1.46
5VX560	56.0	.55	5VX810	81.0	.79	5VX1250	125.0	1.49
5VX570	57.0	.56	5VX830	83.0	.81	5VX1320	132.0	1.58
5VX580	58.0	.57	5VX840	84.0	.82	5VX1400	140.0	1.67
5VX590	59.0	.58	5VX850	85.0	.83	5VX1500	150.0	1.79
5VX600	60.0	.59	5VX860	86.0	.84	5VX1600	160.0	1.91
5VX610	61.0	.60	5VX880	88.0	.85	5VX1700	170.0	2.02
5VX630	63.0	.62	5VX900	90.0	.87	5VX1800	180.0	2.14
5VX650	65.0	.64	5VX930	93.0	.90	5VX1900	190.0	2.26
5VX660	66.0	.64	5VX950	95.0	.92	5VX2000	200.0	2.38
5VX670	67.0	.65	5VX960	96.0	.93			



## NONCOGGED SIZES

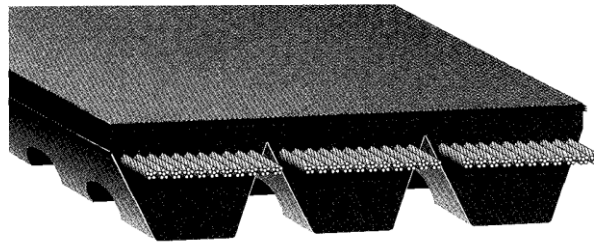
3V HY-T <sup>®</sup> WEDGE BELTS: Top Width = 0.38" Thickness = 0.31"								
BELT NO.	EFFECTIVE OUTSIDE LENGTH	WT LB	BELT NO.	EFFECTIVE OUTSIDE LENGTH	WT LB	BELT NO.	EFFECTIVE OUTSIDE LENGTH	WT LB
3V250 ENV	25.0	.12	3V475 ENV	47.5	.22	3V900 ENV	90.0	.42
3V265 ENV	26.5	.12	3V500 ENV	50.0	.23	3V950 ENV	95.0	.41
3V280 ENV	28.0	.13	3V530 ENV	53.0	.25	3V1000 ENV	100.0	.44
3V300 ENV	30.0	.14	3V560 ENV	56.0	.26	3V1060 ENV	106.0	.49
3V315 ENV	31.5	.15	3V600 ENV	60.0	.28	3V1120 ENV	112.0	.49
3V335 ENV	33.5	.16	3V630 ENV	63.0	.29	3V1180 ENV	118.0	.55
3V355 ENV	35.5	.17	3V670 ENV	67.0	.31	3V1250 ENV	125.0	.58
3V375 ENV	37.5	.18	3V710 ENV	71.0	.33	3V1320 ENV	132.0	.61
3V400 ENV	40.0	.19	3V750 ENV	75.0	.35	3V1400 ENV	140.0	.65
3V425 ENV	42.5	.20	3V800 ENV	80.0	.37			
3V450 ENV	45.0	.21	3V850 ENV	85.0	.37			

5V HY-T <sup>®</sup> WEDGE BELTS: Top Width = 0.62" Thickness = 0.53"								
BELT NO.	EFFECTIVE OUTSIDE LENGTH	WT LB	BELT NO.	EFFECTIVE OUTSIDE LENGTH	WT LB	BELT NO.	EFFECTIVE OUTSIDE LENGTH	WT LB
5V500 ENV	50.0	.59	5V1060 ENV	106.0	1.25	5V2000 ENV	200.0	2.38
5V560 ENV	56.0	.66	5V1120 ENV	112.0	1.32	5V2120	212.0	2.52
5V630 ENV	63.0	.74	5V1180 ENV	118.0	1.38	5V2240	224.0	2.66
5V670 ENV	67.0	.79	5V1250 ENV	125.0	1.49	5V2360	236.0	2.80
5V710 ENV	71.0	.84	5V1320 ENV	132.0	1.58	5V2500	250.0	2.97
5V750 ENV	75.0	.88	5V1400 ENV	140.0	1.67	5V2650	265.0	3.15
5V800 ENV	80.0	.94	5V1500 ENV	150.0	1.79	5V2800	280.0	3.32
5V850 ENV	85.0	1.00	5V1600 ENV	160.0	1.91	5V3000	300.0	3.56
5V900 ENV	90.0	1.06	5V1700 ENV	170.0	2.02	5V3150	315.0	3.75
5V950 ENV	95.0	1.12	5V1800 ENV	180.0	2.14	5V3350	335.0	3.98
5V1000 ENV	100.0	1.18	5V1900 ENV	190.0	2.26	5V3550	355.0	4.22

8V HY-T <sup>®</sup> WEDGE BELTS: Top Width = 1.00" Thickness = 0.91"								
BELT NO.	EFFECTIVE OUTSIDE LENGTH	WT LB	BELT NO.	EFFECTIVE OUTSIDE LENGTH	WT LB	BELT NO.	EFFECTIVE OUTSIDE LENGTH	WT LB
8V1000	100.0	3.06	8V1800	180.0	5.78	8V3150	315.0	9.64
8V1060	106.0	3.25	8V1900	190.0	6.10	8V3350	335.0	10.25
8V1120	112.0	3.43	8V2000	200.0	6.42	8V3550	355.0	10.86
8V1180	118.0	3.61	8V2120	212.0	6.80	8V3750	375.0	11.46
8V1250	125.0	3.82	8V2240	224.0	7.18	8V4000	400.0	12.23
8V1320	132.0	4.25	8V2360	236.0	7.57	8V4250	425.0	12.99
8V1400	140.0	4.51	8V2500	250.0	8.01	8V4500	450.0	13.75
8V1500	150.0	4.83	8V2650	265.0	8.49	8V4750	475.0	14.51
8V1600	160.0	5.15	8V2800	280.0	8.97	8V5000	500.0	15.27
8V1700	170.0	5.46	8V3000	300.0	9.60	8V5600	560.0	17.09

# HY-T® TORQUE TEAM® (CLASSICAL)

ContiTech



Part No: 3/BX112  
 3/ 3 Rib Joined Construction  
 B .66" Top Width - Classical Profile Rib  
 X Premium Cogged Construction  
 112 Approximate 112" Inside Length



**ENVELOPE  
CROSS SECTION**



**CUT-EDGE  
CROSS SECTION**

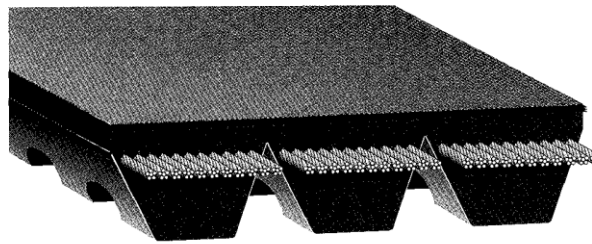


**CUT-EDGE  
SIDE VIEW**

**B SECTION TORQUE TEAM BELTS: "X" IN PART NUMBER DENOTES COGGED BELT**

BELT NO.	Weight For Common Rib Numbers in LBS.				MAX RIBS PER SLAB	WEIGHT PER RIB	BELT NO.	Weight For Common Rib Numbers in LBS.				MAX RIBS PER SLAB	WEIGHT PER RIB
	2 RIB	3 RIB	4 RIB	5 RIB				2 RIB	3 RIB	4 RIB	5 RIB		
BX35	1.08	1.62	2.16	2.70	49	0.54	BX82	2.34	3.51	4.68	5.85	49	1.17
BX38	1.16	1.74	2.32	2.90	49	0.58	BX83	2.38	3.57	4.76	5.95	49	1.19
BX42	1.28	1.92	2.56	3.20	49	0.64	BX84	2.40	3.60	4.80	6.00	49	1.20
BX43	1.30	1.95	2.60	3.25	49	0.65	BX85	2.42	3.63	4.84	6.05	49	1.21
BX46	1.38	2.07	2.76	3.45	49	0.69	BX87	2.48	3.72	4.96	6.20	49	1.24
BX48	1.44	2.16	2.88	3.60	49	0.72	BX88	2.52	3.78	5.04	6.30	49	1.26
BX50	1.48	2.22	2.96	3.70	49	0.74	BX90	2.56	3.84	5.12	6.40	49	1.28
BX51	1.52	2.28	3.04	3.80	49	0.76	BX93	2.64	3.96	5.28	6.60	49	1.32
BX52	1.54	2.31	3.08	3.85	49	0.77	BX95	2.70	4.05	5.40	6.75	49	1.35
BX53	1.56	2.34	3.12	3.90	49	0.78	BX96	2.72	4.08	5.44	6.80	49	1.36
BX54	1.60	2.40	3.20	4.00	49	0.80	BX97	2.76	4.14	5.52	6.90	49	1.38
BX55	1.62	2.43	3.24	4.05	49	0.81	BX99	2.80	4.20	5.60	7.00	49	1.40
BX56	1.64	2.46	3.28	4.10	49	0.82	BX100	2.84	4.26	5.68	7.10	49	1.42
BX57	1.68	2.52	3.36	4.20	49	0.84	BX103	2.92	4.38	5.84	7.30	49	1.46
BX58	1.70	2.55	3.40	4.25	49	0.85	BX105	2.96	4.44	5.92	7.40	49	1.48
BX59	1.72	2.58	3.44	4.30	49	0.86	BX108	3.04	4.56	6.08	7.60	49	1.52
BX60	1.76	2.64	3.52	4.40	49	0.88	BX112	3.16	4.74	6.32	7.90	49	1.58
BX61	1.78	2.67	3.56	4.45	49	0.89	B120	3.06	4.59	6.12	7.65	38	1.53
BX62	1.80	2.70	3.60	4.50	49	0.90	B124	3.22	4.83	6.44	8.05	38	1.61
BX63	1.84	2.76	3.68	4.60	49	0.92	B128	3.32	4.98	6.64	8.30	38	1.66
BX64	1.86	2.79	3.72	4.65	49	0.93	B133	3.46	5.19	6.92	8.65	38	1.73
BX65	1.90	2.85	3.80	4.75	49	0.95	B136	3.54	5.31	7.08	8.85	38	1.77
BX66	1.92	2.88	3.84	4.80	49	0.96	B144	3.74	5.61	7.48	9.35	38	1.87
BX67	1.94	2.91	3.88	4.85	49	0.97	B148	3.84	5.76	7.68	9.60	38	1.92
BX68	1.98	2.97	3.96	4.95	49	0.99	B158	4.08	6.12	8.16	10.20	38	2.04
BX70	2.02	3.03	4.04	5.05	49	1.01	B162	4.18	6.27	8.36	10.45	38	2.09
BX71	2.06	3.09	4.12	5.15	49	1.03	B173	4.46	6.69	8.92	11.15	38	2.23
BX72	2.08	3.12	4.16	5.20	49	1.04	B180	4.64	6.96	9.28	11.60	38	2.32
BX73	2.10	3.15	4.20	5.25	49	1.05	B195	5.02	7.53	10.04	12.55	38	2.51
BX74	2.14	3.21	4.28	5.35	49	1.07	B210	5.40	8.10	10.80	13.50	38	2.70
BX75	2.16	3.24	4.32	5.40	49	1.08	B225	5.76	8.64	11.52	14.40	38	2.88
BX77	2.22	3.33	4.44	5.55	49	1.11	B240	6.14	9.21	12.28	15.35	38	3.07
BX78	2.24	3.36	4.48	5.60	49	1.12	B255	6.52	9.78	13.04	16.30	38	3.26
BX79	2.26	3.39	4.52	5.65	49	1.13	B270	6.90	10.35	13.80	17.25	38	3.45
BX80	2.30	3.45	4.60	5.75	49	1.15	B300	7.66	11.49	15.32	19.15	38	3.83
BX81	2.32	3.48	4.64	5.80	49	1.16	B315	8.04	12.06	16.08	20.10	38	4.02

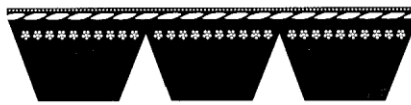
# HY-T® TORQUE TEAM® (CLASSICAL)



Part No: 3/CX112  
 3/ 3 Rib Joined Construction  
 C .88" Top Width - Classical Profile Rib  
 X Premium Cogged Construction  
 112 Approximate 112" Inside Length



**ENVELOPE  
CROSS SECTION**



**CUT-EDGE  
CROSS SECTION**



**CUT-EDGE  
SIDE VIEW**

## C SECTION TORQUE TEAM BELTS: "X" IN PART NUMBER DENOTES COGGED BELT

BELT NO.	Weight For Common Rib Numbers in LBS.				MAX RIBS PER SLAB	WEIGHT PER RIB	BELT NO.	Weight For Common Rib Numbers in LBS.				MAX RIBS PER SLAB	WEIGHT PER RIB
	2 RIB	3 RIB	4 RIB	5 RIB				2 RIB	3 RIB	4 RIB	5 RIB		
CX60	2.82	4.23	5.64	7.05	36	1.41	C158	7.04	10.56	14.08	17.60	26	3.52
CX68	3.14	4.71	6.28	7.85	36	1.57	C162	7.22	10.83	14.44	18.05	26	3.61
CX75	3.44	5.16	6.88	8.60	36	1.72	C173	7.70	11.55	15.40	19.25	26	3.85
CX81	3.70	5.55	7.40	9.25	36	1.85	C180	8.00	12.00	16.00	20.00	26	4.00
CX85	3.86	5.79	7.72	9.65	36	1.93	C195	8.64	12.96	17.28	21.60	26	4.32
CX90	4.08	6.12	8.16	10.20	36	2.04	C210	9.28	13.92	18.56	23.20	26	4.64
CX96	4.32	6.48	8.64	10.80	36	2.16	C225	9.86	14.79	19.72	24.65	26	4.93
CX99	4.44	6.66	8.88	11.10	36	2.22	C240	10.50	15.75	21.00	26.25	26	5.25
CX100	4.48	6.72	8.96	11.20	36	2.24	C255	11.16	16.74	22.32	27.90	26	5.58
CX105	4.70	7.05	9.40	11.75	36	2.35	C270	11.80	17.70	23.60	29.50	26	5.90
CX108	4.82	7.23	9.64	12.05	36	2.41	C285	12.46	18.69	24.92	31.15	26	6.23
CX109	4.86	7.29	9.72	12.15	36	2.43	C300	13.10	19.65	26.20	32.75	26	6.55
CX112	5.00	7.50	10.00	12.50	36	2.50	C315	13.78	20.67	27.56	34.45	26	6.89
C120	5.28	7.92	10.56	13.20	14	2.64	C330	14.42	21.63	28.84	36.05	26	7.21
C124	5.58	8.37	11.16	13.95	26	2.79	C345	15.08	22.62	30.16	37.70	26	7.54
C128	5.74	8.61	11.48	14.35	26	2.87	C360	15.72	23.58	31.44	39.30	26	7.86
C136	6.10	9.15	12.20	15.25	26	3.05	C390	17.02	25.53	34.04	42.55	26	8.51
C144	6.44	9.66	12.88	16.10	26	3.22	C420	18.32	27.48	36.64	45.80	26	9.16

## D SECTION TORQUE TEAM BELTS: ALL D SECTION BELTS ENVELOPE CONSTRUCTION

BELT NO.	Weight For Common Rib Numbers in LBS.				MAX RIBS PER SLAB	WEIGHT PER RIB	BELT NO.	Weight For Common Rib Numbers in LBS.				MAX RIBS PER SLAB	WEIGHT PER RIB
	2 RIB	3 RIB	4 RIB	5 RIB				2 RIB	3 RIB	4 RIB	5 RIB		
D120	10.52	15.78	21.04	26.30	10	5.26	D300	25.76	38.64	51.52	64.40	18	12.88
D144	12.34	18.51	24.68	30.85	18	6.17	D315	26.44	39.66	52.88	66.10	18	13.22
D158	13.48	20.22	26.96	33.70	18	6.74	D330	27.68	41.52	55.36	69.20	18	13.84
D162	13.82	20.73	27.64	34.55	18	6.91	D345	28.92	43.38	57.84	72.30	18	14.46
D173	14.72	22.08	29.44	36.80	18	7.36	D360	30.16	45.24	60.32	75.40	18	15.08
D180	15.32	22.98	30.64	38.30	18	7.66	D390	32.66	48.99	65.32	81.65	18	16.33
D195	16.56	24.84	33.12	41.40	18	8.28	D420	35.14	52.71	70.28	87.85	18	17.57
D210	17.78	26.67	35.56	44.45	18	8.89	D450	37.62	56.43	75.24	94.05	18	18.81
D225	19.42	29.13	38.84	48.55	18	9.71	D480	40.10	60.15	80.20	100.25	18	20.05
D240	20.68	31.02	41.36	51.70	18	10.34	D540	45.06	67.59	90.12	112.65	18	22.53
D255	21.96	32.94	43.92	54.90	18	10.98	D600	50.04	75.06	100.08	125.10	18	25.02
D270	23.22	34.83	46.44	58.05	18	11.61	D660	55.00	82.50	110.00	137.50	18	27.50
D285	24.50	36.75	49.00	61.25	18	12.25							



**ENVELOPE  
CROSS SECTION**



**CUT-EDGE  
CROSS SECTION**



**CUT-EDGE  
SIDE VIEW**

**3V SECTION TORQUE TEAM BELTS: "X" IN PART NUMBER DENOTES COGGED BELT**

BELT NO.	Weight For Common Rib Numbers in LBS.				MAX RIBS PER SLAB	WEIGHT PER RIB	BELT NO.	Weight For Common Rib Numbers in LBS.				MAX RIBS PER SLAB	WEIGHT PER RIB
	2 RIB	3 RIB	4 RIB	5 RIB				2 RIB	3 RIB	4 RIB	5 RIB		
3VX250	0.30	0.45	0.60	0.75	90	0.15	3VX630	0.72	1.08	1.44	1.80	90	0.36
3VX265	0.32	0.48	0.64	0.80	90	0.16	3VX670	0.76	1.14	1.52	1.90	90	0.38
3VX280	0.32	0.48	0.64	0.80	90	0.16	3VX710	0.80	1.20	1.60	2.00	90	0.40
3VX300	0.36	0.54	0.72	0.90	90	0.18	3VX750	0.86	1.29	1.72	2.15	90	0.43
3VX315	0.36	0.54	0.72	0.90	90	0.18	3VX800	0.90	1.35	1.80	2.25	90	0.45
3VX335	0.40	0.60	0.80	1.00	90	0.20	3VX850	0.96	1.44	1.92	2.40	90	0.48
3VX355	0.42	0.63	0.84	1.05	90	0.21	3VX900	1.02	1.53	2.04	2.55	90	0.51
3VX375	0.44	0.66	0.88	1.10	90	0.22	3VX950	1.08	1.62	2.16	2.70	90	0.54
3VX400	0.46	0.69	0.92	1.15	90	0.23	3VX1000	1.12	1.68	2.24	2.80	90	0.56
3VX425	0.50	0.75	1.00	1.25	90	0.25	3VX1060	1.20	1.80	2.40	3.00	90	0.60
3VX450	0.52	0.78	1.04	1.30	90	0.26	3VX1120	1.26	1.89	2.52	3.15	90	0.63
3VX475	0.54	0.81	1.08	1.35	90	0.27	3VX1180	1.32	1.98	2.64	3.30	90	0.66
3VX500	0.58	0.87	1.16	1.45	90	0.29	3VX1250	1.34	2.01	2.68	3.35	90	0.67
3VX530	0.60	0.90	1.20	1.50	90	0.30	3VX1320	1.42	2.13	2.84	3.55	90	0.71
3VX560	0.64	0.96	1.28	1.60	90	0.32	3V1400	1.58	2.37	3.16	3.95	74	0.79
3VX600	0.68	1.02	1.36	1.70	90	0.34							

**5V SECTION TORQUE TEAM BELTS: "X" IN PART NUMBER DENOTES COGGED BELT**

BELT NO.	Weight For Common Rib Numbers in LBS.				MAX RIBS PER SLAB	WEIGHT PER RIB	BELT NO.	Weight For Common Rib Numbers in LBS.				MAX RIBS PER SLAB	WEIGHT PER RIB
	2 RIB	3 RIB	4 RIB	5 RIB				2 RIB	3 RIB	4 RIB	5 RIB		
5VX500	1.38	2.07	2.76	3.45	53	0.69	5V1400	3.94	5.91	7.88	9.85	42	1.97
5VX530	1.46	2.19	2.92	3.65	53	0.73	5V1500	4.22	6.33	8.44	10.55	42	2.11
5VX560	1.54	2.31	3.08	3.85	53	0.77	5V1600	4.50	6.75	9.00	11.25	42	2.25
5VX600	1.64	2.46	3.28	4.10	53	0.82	5V1700	4.78	7.17	9.56	11.95	42	2.39
5VX630	1.72	2.58	3.44	4.30	53	0.86	5V1800	5.06	7.59	10.12	12.65	42	2.53
5VX670	1.82	2.73	3.64	4.55	53	0.91	5V1900	5.34	8.01	10.68	13.35	42	2.67
5VX710	1.94	2.91	3.88	4.85	53	0.97	5V2000	5.62	8.43	11.24	14.05	42	2.81
5VX750	2.04	3.06	4.08	5.10	53	1.02	5V2120	5.96	8.94	11.92	14.90	42	2.98
5VX800	2.18	3.27	4.36	5.45	53	1.09	5V2240	6.30	9.45	12.60	15.75	42	3.15
5VX850	2.30	3.45	4.60	5.75	53	1.15	5V2360	6.64	9.96	13.28	16.60	42	3.32
5VX900	2.44	3.66	4.88	6.10	53	1.22	5V2500	7.02	10.53	14.04	17.55	42	3.51
5VX950	2.56	3.84	5.12	6.40	53	1.28	5V2650	7.44	11.16	14.88	18.60	42	3.72
5VX1000	2.70	4.05	5.40	6.75	53	1.35	5V2800	7.86	11.79	15.72	19.65	42	3.93
5VX1060	2.86	4.29	5.72	7.15	53	1.43	5V3000	8.42	12.63	16.84	21.05	42	4.21
5VX1120	3.02	4.53	6.04	7.55	53	1.51	5V3150	8.84	13.26	17.68	22.10	42	4.42
5VX1180	3.18	4.77	6.36	7.95	53	1.59	5V3350	9.40	14.10	18.80	23.50	42	4.70
5VX1250	3.50	5.25	7.00	8.75	53	1.75	5V3550	9.96	14.94	19.92	24.90	42	4.98
5VX1320	3.72	5.58	7.44	9.30	53	1.86							

**8V SECTION TORQUE TEAM BELTS: ALL 8V BELTS ENVELOPE CONSTRUCTION**

BELT NO.	Weight For Common Rib Numbers in LBS.				MAX RIBS PER SLAB	WEIGHT PER RIB	BELT NO.	Weight For Common Rib Numbers in LBS.				MAX RIBS PER SLAB	WEIGHT PER RIB
	2 RIB	3 RIB	4 RIB	5 RIB				2 RIB	3 RIB	4 RIB	5 RIB		
8V1000	6.74	10.11	13.48	16.85	14	3.37	8V2500	17.78	26.67	35.56	44.45	24	8.89
8V1060	7.14	10.71	14.28	17.85	14	3.57	8V2650	18.84	28.26	37.68	47.10	24	9.42
8V1120	7.54	11.31	15.08	18.85	14	3.77	8V2800	19.90	29.85	39.80	49.75	24	9.95
8V1180	7.94	11.91	15.88	19.85	14	3.97	8V3000	21.32	31.98	42.64	53.30	24	10.66
8V1250	8.40	12.60	16.80	21.00	24	4.20	8V3150	21.18	31.77	42.36	52.95	24	10.59
8V1320	9.44	14.16	18.88	23.60	24	4.72	8V3350	22.52	33.78	45.04	56.30	24	11.26
8V1400	10.00	15.00	20.00	25.00	24	5.00	8V3550	23.86	35.79	47.72	59.65	24	11.93
8V1500	10.72	16.08	21.44	26.80	24	5.36	8V3750	25.20	37.80	50.40	63.00	24	12.60
8V1600	11.42	17.13	22.84	28.55	24	5.71	8V4000	26.88	40.32	53.76	67.20	24	13.44
8V1700	12.12	18.18	24.24	30.30	24	6.06	8V4250	28.54	42.81	57.08	71.35	24	14.27
8V1800	12.84	19.26	25.68	32.10	24	6.42	8V4500	30.22	45.33	60.44	75.55	24	15.11
8V1900	13.54	20.31	27.08	33.85	24	6.77	8V4750	31.90	47.85	63.80	79.75	24	15.95
8V2000	14.24	21.36	28.48	35.60	24	7.12	8V5000	33.56	50.34	67.12	83.90	24	16.78
8V2120	15.10	22.65	30.20	37.75	24	7.55	8V5600	37.58	56.37	75.16	93.95	24	18.79
8V2240	15.94	23.91	31.88	39.85	24	7.97	8V6000	40.26	60.39	80.52	100.65	24	20.13
8V2360	16.78	25.17	33.56	41.95	24	8.39							



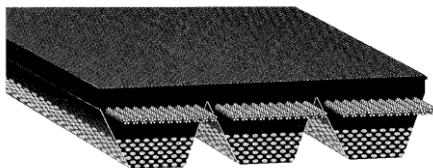
5VF &amp; 8VF CROSS SECTION VIEW

**5V SECTION TORQUE TEAM PLUS BELTS: "F" DENOTES MADE WITH FLEXTEN**

BELT NO.	WEIGHT BY COMMON RIBS IN LBS.			MAX NO. RIBS PER SLAB	WEIGHT PER RIB	BELT NO.	WEIGHT BY COMMON RIBS IN LBS.			MAX NO. RIBS PER SLAB	WEIGHT PER RIB
	3 RIB	4 RIB	5 RIB				3 RIB	4 RIB	5 RIB		
5VF900	3.63	4.84	6.05	42	1.21	5VF1900	7.92	10.56	13.20	42	2.64
5VF950	3.81	5.08	6.35	42	1.27	5VF2000	8.31	11.08	13.85	42	2.77
5VF1000	4.02	5.36	6.70	42	1.34	5VF2120	8.82	11.76	14.70	42	2.94
5VF1060	4.26	5.68	7.10	42	1.42	5VF2240	9.33	12.44	15.55	42	3.11
5VF1120	4.50	6.00	7.50	42	1.50	5VF2360	9.81	13.08	16.35	42	3.27
5VF1180	4.74	6.32	7.90	42	1.58	5VF2500	10.41	13.88	17.35	42	3.47
5VF1250	5.22	6.96	8.70	42	1.74	5VF2650	11.01	14.68	18.35	42	3.67
5VF1320	5.49	7.32	9.15	42	1.83	5VF2800	11.64	15.52	19.40	42	3.88
5VF1400	5.85	7.80	9.75	42	1.95	5VF3000	12.48	16.64	20.80	42	4.16
5VF1500	6.24	8.32	10.40	42	2.08	5VF3150	14.01	18.68	23.35	42	4.67
5VF1600	6.66	8.88	11.10	42	2.22	5VF3350	14.91	19.88	24.85	42	4.97
5VF1700	7.08	9.44	11.80	42	2.36	5VF3550	15.78	21.04	26.30	42	5.26
5VF1800	7.50	10.00	12.50	42	2.50						

**8V SECTION TORQUE TEAM PLUS BELTS: "F" DENOTES MADE WITH FLEXTEN**

BELT NO.	WEIGHT BY COMMON RIBS IN LBS.			MAX NO. RIBS PER SLAB	WEIGHT PER RIB	BELT NO.	WEIGHT BY COMMON RIBS IN LBS.			MAX NO. RIBS PER SLAB	WEIGHT PER RIB
	3 RIB	4 RIB	5 RIB				3 RIB	4 RIB	5 RIB		
8VF1250	13.05	17.40	21.75	42	4.35	8VF2800	29.04	38.72	48.40	24	9.68
8VF1320	13.77	18.36	22.95	24	4.59	8VF3000	31.08	41.44	51.80	24	10.36
8VF1400	14.61	19.48	24.35	24	4.87	8VF3150	32.79	43.72	54.65	24	10.93
8VF1500	15.63	20.84	26.05	24	5.21	8VF3350	34.86	46.48	58.10	24	11.62
8VF1600	16.65	22.20	27.75	24	5.55	8VF3550	36.93	49.24	61.55	24	12.31
8VF1700	17.70	23.60	29.50	24	5.90	8VF3750	39.00	52.00	65.00	24	13.00
8VF1800	18.72	24.96	31.20	24	6.24	8VF4000	41.58	55.44	69.30	24	13.86
8VF1900	19.74	26.32	32.90	24	6.58	8VF4250	44.16	58.88	73.60	24	14.72
8VF2000	20.79	27.72	34.65	24	6.93	8VF4500	46.74	62.32	77.90	24	15.58
8VF2120	22.02	29.36	36.70	24	7.34	8VF4750	49.32	65.76	82.20	24	16.44
8VF2240	23.25	31.00	38.75	24	7.75	8VF5000	51.93	69.24	86.55	24	17.31
8VF2360	24.51	32.68	40.85	24	8.17	8VF5600	58.11	77.48	96.85	24	19.37
8VF2500	25.95	34.60	43.25	24	8.65	8VF6000	62.25	83.00	103.75	24	20.75
8VF2650	27.48	36.64	45.80	24	9.16						

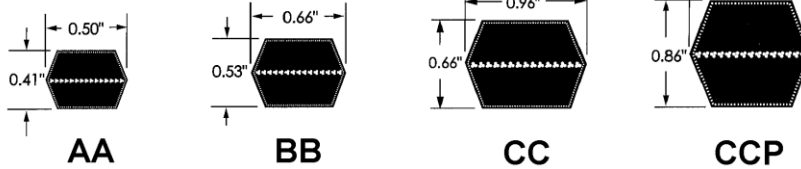


Part No: **5/5VL800**  
**5/** 5 Rib Joined Construction  
**5V** .62" Top Width  
**L** Laminated Construction  
**800** 80.0" Nominal Outside Length

**5V SECTION LAMINATED BELTS**

BELT NO.	OUTSIDE LENGTH INCHES	APPROX WT LB	BELT NO.	OUTSIDE LENGTH INCHES	APPROX WT LB
5/5VL800	80.0	5.09	5/5VL1060	106.0	6.67
5/5VL850	85.0	5.39	5/5VL1120	112.0	7.04
5/5VL900	90.0	5.70	5/5VL1180	118.0	7.14
5/5VL950	95.0	6.00	5/5VL1320	132.0	8.86
5/5VL1000	100.0	6.31	5/5VL1700	170.0	11.38

ContiTech



**AA SECTION HEX BELTS: Center Width = 0.50" Thickness = 0.41"**

BELT NO.	APPROX INSIDE LGTH.	APPROX OUTS. LGTH.	APPROX WT LB	BELT NO.	APPROX INSIDE LGTH.	APPROX OUTS. LGTH.	APPROX WT LB	BELT NO.	APPROX INSIDE LGTH.	APPROX OUTS. LGTH.	APPROX WT LB
AA51	51.0	54.4	.41	AA70	70.0	73.4	.55	AA96	96.0	99.4	.95
AA55	55.0	58.4	.44	AA75	75.0	78.4	.59	AA105	105.0	108.4	1.04
AA60	60.0	63.4	.48	AA80	80.0	83.4	.63	AA112	112.0	115.4	1.10
AA64	64.0	67.4	.50	AA85	85.0	88.4	.84	AA120	120.0	123.4	1.18
AA66	66.0	69.4	.52	AA90	90.0	93.4	.71	AA128	128.0	131.4	1.32
AA68	68.0	71.4	.54	AA92	92.0	95.4	.72				

**BB SECTION HEX BELTS: Center Width = 0.66" Thickness = 0.53"**

BELT NO.	APPROX INSIDE LGTH.	APPROX OUTS. LGTH.	APPROX WT LB	BELT NO.	APPROX INSIDE LGTH.	APPROX OUTS. LGTH.	APPROX WT LB	BELT NO.	APPROX INSIDE LGTH.	APPROX OUTS. LGTH.	APPROX WT LB
BB35	35.0	39.6	.49	BB96	96.0	100.6	1.40	BB162	162.0	166.6	2.46
BB38	38.0	42.6	.54	BB97	97.0	101.6	1.41	BB168	168.0	172.6	2.55
BB42	42.0	46.6	.60	BB103	103.0	107.6	1.50	BB169	169.0	173.6	2.56
BB43	43.0	47.6	.61	BB105	105.0	109.6	1.53	BB173	173.0	177.6	2.62
BB45	45.0	49.6	.64	BB107	107.0	111.6	1.55	BB180	180.0	184.6	2.73
BB46	46.0	50.6	.65	BB108	108.0	112.6	1.57	BB182	182.0	186.6	2.76
BB53	53.0	57.6	.75	BB111	111.0	115.6	1.61	BB190	190.0	194.6	2.87
BB55	55.0	59.6	.78	BB112	112.0	116.6	1.62	BB195	195.0	199.6	2.95
BB60	60.0	64.6	.85	BB116	116.0	120.6	1.68	BB210	210.0	214.6	3.17
BB64	64.0	68.6	.91	BB117	117.0	121.6	1.69	BB225	225.0	228.1	3.37
BB68	68.0	72.6	.96	BB118	118.0	122.6	1.71	BB226	226.0	229.1	3.38
BB71	71.0	75.6	1.01	BB120	120.0	124.6	1.73	BB228	228.0	231.1	3.41
BB72	72.0	76.6	1.02	BB122	122.0	126.6	1.87	BB230	230.0	233.1	3.44
BB73	73.0	77.6	1.08	BB123	123.0	127.6	1.88	BB240	240.0	243.1	3.59
BB74	74.0	78.6	1.08	BB124	124.0	128.6	1.90	BB255	255.0	258.1	3.81
BB75	75.0	79.6	1.06	BB128	128.0	132.6	1.96	BB267	267.0	270.1	3.99
BB81	81.0	85.6	1.13	BB129	129.0	133.6	1.97	BB270	270.0	273.1	4.03
BB83	83.0	87.6	1.22	BB130	130.0	134.6	1.99	BB273	273.0	276.1	4.08
BB85	85.0	89.6	1.24	BB136	136.0	140.6	2.07	BB277	277.0	280.1	4.14
BB90	90.0	94.6	1.31	BB140	140.0	144.6	2.13	BB278	278.0	281.1	4.15
BB92	92.0	96.6	1.34	BB144	144.0	148.6	2.19	BB285	285.0	288.1	4.26
BB93	93.0	97.6	1.36	BB155	155.0	159.6	2.36	BB300	300.0	308.1	4.48
BB94	94.0	98.6	1.37	BB158	158.0	162.6	2.40				

**CC SECTION HEX BELTS: Center Width = 0.96" Thickness = 0.66"**

BELT NO.	APPROX INSIDE LGTH.	APPROX OUTS. LGTH.	APPROX WT LB	BELT NO.	APPROX INSIDE LGTH.	APPROX OUTS. LGTH.	APPROX WT LB	BELT NO.	APPROX INSIDE LGTH.	APPROX OUTS. LGTH.	APPROX WT LB
CC75	75.0	81.4	1.69	CC136	136.0	142.4	3.36	CC225	225.0	229.4	5.45
CC81	81.0	87.4	1.82	CC144	144.0	150.4	3.55	CC240	240.0	244.4	5.81
CC85	85.0	91.4	1.91	CC148	148.0	154.4	3.65	CC255	255.0	259.4	6.17
CC90	90.0	96.4	2.02	CC158	158.0	164.4	3.89	CC270	270.0	274.4	6.53
CC96	96.0	102.4	2.15	CC162	162.0	168.4	3.99	CC300	300.0	304.4	7.24
CC105	105.0	111.4	2.35	CC173	173.0	179.4	4.25	CC330	330.0	334.4	7.90
CC112	112.0	118.4	2.50	CC180	180.0	186.4	4.42	CC360	360.0	364.4	8.61
CC120	120.0	126.4	2.67	CC195	195.0	201.4	4.78	CC390	390.0	394.4	9.32
CC128	128.0	134.4	2.84	CC210	210.0	216.4	5.14	CC420	420.0	424.4	10.03

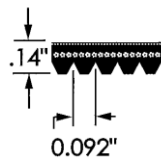
**CCP SECTION "Dry Can" HEX BELTS: Center Width = 0.86" Thickness = 0.86"**

BELT NO.	APPROX INSIDE LGTH.	APPROX OUTS. LGTH.	APPROX WT LB	BELT NO.	APPROX INSIDE LGTH.	APPROX OUTS. LGTH.	APPROX WT LB	BELT NO.	APPROX INSIDE LGTH.	APPROX OUTS. LGTH.	APPROX WT LB
CCP240*	240.0	244.9	8.33	CCP450	450.0	454.9	15.64	CCP680	680.0	684.9	23.51
CCP255	255.0	259.9	8.88	CCP470*	470.0	474.9	16.32	CCP700	700.0	704.9	24.20
CCP270*	270.0	274.9	9.35	CCP480	480.0	484.9	16.66	CCP720	720.0	724.9	24.88
CCP300*	300.0	304.9	10.50	CCP540	540.0	544.9	18.72	CCP750*	750.0	754.9	25.91
CCP330	330.0	334.9	11.53	CCP550	550.0	554.9	19.06	CCP780*	780.0	784.9	26.85
CCP360*	360.0	364.9	12.56	CCP578*	578.0	582.9	20.02	CCP800	800.0	804.9	27.54
CCP390*	390.0	394.9	13.58	CCP600	600.0	604.9	20.77	CCP840	840.0	844.9	28.90
CCP408	408.0	412.9	14.20	CCP640	640.0	644.9	22.14	CCP900	900.0	904.9	30.95
CCP420	420.0	424.9	14.61	CCP660	660.0	664.9	22.83				
CCP440	440.0	444.9	15.29	CCP670	670.0	674.9	23.17				

\* Please consult Maurey Manufacturing for availability



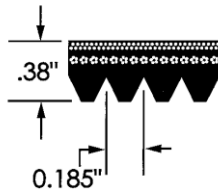
**J SECTION**



**Part Number: 180J6**  
**180** 18.0" Nominal Outside Length  
**J** J Belt Section  
**6** 6 Ribs

The Poly-V® belt is a single, endless belt with longitudinal V-shaped ribs that mate consistently with the V-grooves in the sheaves. It combines the convenience of a thin, one-piece flat belt with the strong gripping traction of multiple V-belts to make the Poly-V® belt far better than either for many applications.

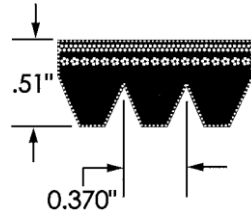
**L SECTION**



**Part Number: 540L8**  
**540** 54.0" Nominal Outside Length  
**L** L Belt Section  
**8** 8 Ribs

More power in less space: Continuous engagement with the sheave driving surface gives you greater power capacity per inch of width. In addition, wasted space between separate V-belts is eliminated and converted into narrower, shallower grooves. These provide substantially greater contact area for stronger and more uniform traction.

**M SECTION**



**Part Number: 990M10**  
**990** 99.0" Nominal Outside Length  
**M** M Belt Section  
**10** 10 Ribs

Longer belt and sheave life: Complete support of the tension member, combined with full and uniform engagement with the sheave grooves, eliminates differential driving and equalizes belt stresses. That, in turn, minimizes belt elongation and leads to significantly longer flex life.

**POLY - V®**

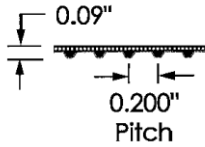
"J" SECTION POLY-V®								
SIZE	WEIGHT BY COMMON RIB AMOUNTS IN POUNDS						LB PER RIB	MAX RIB
	4 RIB	6 RIB	8 RIB	10 RIB	16 RIB	20 RIB		
180J	0.04	0.06	0.08	0.10	0.16	0.20	0.01	68
190J	0.04	0.06	0.08	0.10	0.16	0.20	0.01	68
200J	0.04	0.06	0.08	0.10	0.16	0.20	0.01	68
220J	0.04	0.06	0.08	0.10	0.16	0.20	0.01	68
240J	0.04	0.06	0.08	0.10	0.16	0.20	0.01	68
260J	0.08	0.12	0.16	0.20	0.32	0.40	0.02	68
280J	0.08	0.12	0.16	0.20	0.32	0.40	0.02	68
300J	0.08	0.12	0.16	0.20	0.32	0.40	0.02	68
320J	0.08	0.12	0.16	0.20	0.32	0.40	0.02	68
340J	0.08	0.12	0.16	0.20	0.32	0.40	0.02	68
360J	0.08	0.12	0.16	0.20	0.32	0.40	0.02	68
380J	0.08	0.12	0.16	0.20	0.32	0.40	0.02	68
400J	0.08	0.12	0.16	0.20	0.32	0.40	0.02	68
410J	0.08	0.12	0.16	0.20	0.32	0.40	0.02	68
430J	0.12	0.18	0.24	0.30	0.48	0.60	0.03	68
460J	0.12	0.18	0.24	0.30	0.48	0.60	0.03	68
490J	0.12	0.18	0.24	0.30	0.48	0.60	0.03	68
520J	0.12	0.18	0.24	0.30	0.48	0.60	0.03	68
550J	0.12	0.18	0.24	0.30	0.48	0.60	0.03	68
580J	0.12	0.18	0.24	0.30	0.48	0.60	0.03	68
610J	0.12	0.18	0.24	0.30	0.48	0.60	0.03	68
650J	0.16	0.24	0.32	0.40	0.64	0.80	0.04	68
730J	0.16	0.24	0.32	0.40	0.64	0.80	0.04	68
870J	0.20	0.30	0.40	0.50	0.80	1.00	0.05	68
920J	0.20	0.30	0.40	0.50	0.80	1.00	0.05	68
980J	0.20	0.30	0.40	0.50	0.80	1.00	0.05	68

"L" SECTION POLY-V®								
SIZE	WEIGHT BY COMMON RIB AMOUNTS IN POUNDS						LB PER RIB	MAX RIB
	6 RIB	8 RIB	10 RIB	12 RIB	14 RIB	16 RIB		
500L	0.66	0.88	1.10	1.32	1.54	1.76	0.11	96
540L	0.72	0.96	1.20	1.44	1.68	1.92	0.12	96
560L	0.72	0.96	1.20	1.44	1.68	1.92	0.12	96
615L	0.78	1.04	1.30	1.56	1.82	2.08	0.13	96
635L	0.84	1.12	1.40	1.68	1.96	2.24	0.14	96
655L	0.84	1.12	1.40	1.68	1.96	2.24	0.14	96
675L	0.90	1.20	1.50	1.80	2.10	2.40	0.15	96
695L	0.90	1.20	1.50	1.80	2.10	2.40	0.15	96
725L	0.96	1.28	1.60	1.92	2.24	2.56	0.16	96
765L	0.96	1.28	1.60	1.92	2.24	2.56	0.16	96
780L	1.02	1.36	1.70	2.04	2.38	2.72	0.17	96
795L	1.02	1.36	1.70	2.04	2.38	2.72	0.17	96
815L	1.02	1.36	1.70	2.04	2.38	2.72	0.17	96
840L	1.08	1.44	1.80	2.16	2.52	2.88	0.18	96
865L	1.08	1.44	1.80	2.16	2.52	2.88	0.18	96
915L	1.14	1.52	1.90	2.28	2.66	3.04	0.19	96
975L	1.26	1.68	2.10	2.52	2.94	3.36	0.21	96
990L	1.26	1.68	2.10	2.52	2.94	3.36	0.21	96
1065L	1.38	1.84	2.30	2.76	3.22	3.68	0.23	96
1120L	1.44	1.92	2.40	2.88	3.36	3.84	0.24	96
1150L	1.44	1.92	2.40	2.88	3.36	3.84	0.24	96
1215L	1.80	2.40	3.00	3.60	4.20	4.80	0.30	72
1230L	1.80	2.40	3.00	3.60	4.20	4.80	0.30	72
1295L	1.86	2.48	3.10	3.72	4.34	4.96	0.31	72
1310L	1.92	2.56	3.20	3.84	4.48	5.12	0.32	72
1455L	2.10	2.80	3.50	4.20	4.90	5.60	0.35	72

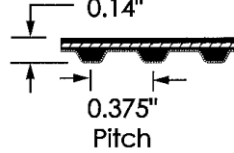
"M" SECTION POLY-V®								
SIZE	WEIGHT BY COMMON RIB AMOUNTS IN POUNDS						LB PER RIB	MAX RIB
	6 RIB	8 RIB	10 RIB	12 RIB	14 RIB	16 RIB		
900M	4.20	5.60	7.00	8.40	9.80	11.20	0.70	36
940M	4.38	5.84	7.30	8.76	10.22	11.68	0.73	36
990M	4.62	6.16	7.70	9.24	10.78	12.32	0.77	36
1060M	4.92	6.56	8.20	9.84	11.48	13.12	0.82	36
1115M	6.18	8.24	10.30	12.36	14.42	16.48	1.03	36
1150M	6.36	8.48	10.60	12.72	14.84	16.96	1.06	36
1185M	6.54	8.72	10.90	13.08	15.26	17.44	1.09	36
1230M	6.78	9.04	11.30	13.56	15.82	18.08	1.13	36
1310M	6.92	9.16	11.40	13.68	15.96	18.24	1.14	74
1390M	6.48	8.64	10.80	12.96	15.12	17.28	1.08	74
1470M	6.84	9.12	11.40	13.68	15.96	18.24	1.14	74
1610M	7.44	9.92	12.40	14.88	17.36	19.84	1.24	74
1650M	7.62	10.16	12.70	15.24	17.78	20.32	1.27	74
1760M	8.16	10.88	13.60	16.32	19.04	21.76	1.36	74
1830M	8.46	11.28	14.10	16.92	19.74	22.56	1.41	74
1980M	9.12	12.16	15.20	18.24	21.28	24.32	1.52	74
2130M	9.78	13.04	16.30	19.56	22.82	26.08	1.63	74
2410M	11.04	14.72	18.40	22.08	25.76	29.44	1.84	74
2560M	11.70	15.60	19.50	23.40	27.30	31.20	1.95	74
2710M	12.36	16.48	20.60	24.72	28.84	32.96	2.06	74
3010M	13.74	18.32	22.90	27.48	32.06	36.64	2.29	74
3310M	15.06	20.08	25.10	30.12	35.14	40.16	2.51	74
3610M	16.38	21.84	27.30	32.76	38.22	43.68	2.73	74

ContiTech

### XL (EXTRA LIGHT)



### L (LIGHT)



Part No: 100 XL 025

100 10.0" Pitch Length  
 XL Pitch-Trapezoidal Tooth Profile  
 025 .25" Wide

#### Positive Drive Pd<sup>®</sup> Belts

Quality Continental ContiTech Positive Drive belts give you the chance to design your drive's speed, its accuracy and its dependability consistent with the best synchronous belt drives, and all without the bulk, weight and added cost that is inherent in chain and gear type power transmission systems.

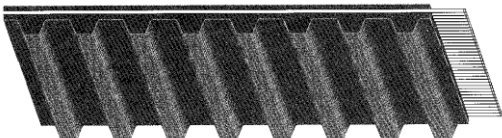
Continental ContiTech Pd<sup>®</sup> belts have precision-molded teeth to deliver the synchronized power you need. Because they are made of specially compounded rubber, reinforced with high-strength, stable fiberglass tensile cord members and have a long-wearing nylon facing, they are durable and provide a smooth, precise operation.

1/5" PITCH EXTRA LIGHT (XL) POSITIVE DRIVE BELTS									
BELT NO	PITCH LENGTH	NUMBER OF TEETH	APPROX. WT. LBS. BY WIDTH		BELT NO	PITCH LENGTH	NUMBER OF TEETH	APPROX. WT. LBS. BY WIDTH	
			025	037				025	037
50XL	5.00	25	.01	.01	260XL	26.00	130	.02	.03
60XL	6.00	30	.01	.01	280XL	28.00	140	.02	.03
70XL	7.00	35	.01	.01	290XL	29.00	145	.02	.04
80XL	8.00	40	.01	.01	300XL	30.00	150	.02	.04
90XL	9.00	45	.01	.01	310XL	31.00	155	.03	.04
100XL	10.00	50	.01	.01	330XL	33.00	165	.03	.04
110XL	11.00	55	.01	.01	340XL	34.00	170	.03	.04
120XL	12.00	60	.01	.02	350XL	35.00	175	.03	.04
130XL	13.00	65	.01	.02	370XL	37.00	185	.03	.05
140XL	14.00	70	.01	.02	380XL	38.00	190	.03	.05
150XL	15.00	75	.01	.02	390XL	39.00	195	.03	.05
160XL	16.00	80	.01	.02	400XL	40.00	200	.03	.05
170XL	17.00	85	.01	.02	420XL	42.00	210	.05	.05
180XL	18.00	90	.01	.02	450XL	45.00	225	.04	.05
190XL	19.00	95	.02	.02	460XL	46.00	230	.04	.06
200XL	20.00	100	.02	.02	480XL	48.00	240	.04	.06
210XL	21.00	105	.02	.03	500XL	50.00	250	.04	.06
220XL	22.00	110	.02	.03	570XL	57.00	285	.05	.07
230XL	23.00	115	.02	.03	630XL	63.00	315	.05	.08
240XL	24.00	120	.02	.03	770XL	77.00	385	.08	.12
250XL	25.00	125	.02	.03					

#### Applications

Nearly every conceivable industrial drive application where precise shaft synchronization is required. Positive Drive belts can also be used as an alternative to problem V-belt and chain drives.

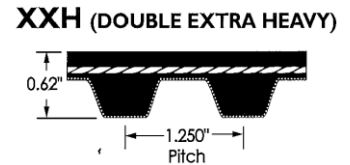
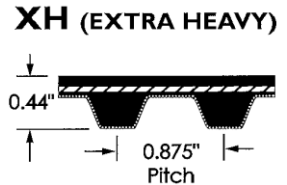
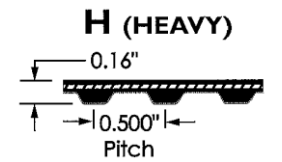
- › Aggregate machinery
- › Chain drives
- › Packaging machinery
- › Paper industry machinery
- › Food processing equipment
- › Printing trade machinery
- › Woodworking machinery
- › Office equipment
- › Machine tools
- › Farm machinery
- › Home appliances
- › Textile machinery
- › Mining Equipment



3/8" PITCH LIGHT (L) POSITIVE DRIVE BELTS					
BELT NO	PITCH LENGTH	NUMBER OF TEETH	APPROXIMATE WEIGHT IN LBS. BY WIDTH		
			050	075	100
124L	12.375	33	.03	.05	.07
135L	13.500	36	.04	.05	.07
150L	15.000	40	.04	.06	.08
165L	16.500	44	.04	.06	.08
187L	18.750	50	.05	.07	.10
195L	19.500	52	.05	.08	.10
210L	21.000	56	.05	.08	.11
225L	22.500	60	.06	.09	.12
240L	24.000	64	.06	.09	.12
255L	25.500	68	.07	.10	.13
270L	27.000	72	.07	.10	.14
285L	28.500	76	.07	.11	.15
300L	30.000	80	.08	.12	.15
322L	32.250	86	.08	.12	.17
345L	34.500	92	.09	.13	.18
367L	36.700	98	.09	.14	.19
390L	39.000	104	.10	.15	.20
420L	42.000	112	.11	.16	.21
450L	45.000	120	.11	.17	.23
480L	48.000	128	.12	.18	.24
510L	51.000	136	.13	.19	.26
540L	54.000	144	.14	.21	.27
600L	60.000	160	.17	.25	.34
660L	66.000	176	.18	.28	.37
817L	81.700	218	.21	.31	.42
900L	90.000	240	.23	.35	.46

**1/2" PITCH HEAVY (H) POSITIVE DRIVE BELTS**

BELT NO	PITCH LENGTH	NUMBER OF TEETH	APPROX WT. LBS. BY WIDTH				
			075	100	150	200	300
210H	21.0	42	.11	.14	.21	.28	.52
220H	22.0	44	.11	.14	.21	.29	.55
230H	23.0	46	.11	.15	.23	.31	.46
240H	24.0	48	.12	.16	.24	.32	.48
270H	27.0	54	.13	.18	.27	.36	.54
300H	30.0	60	.15	.20	.30	.40	.59
320H	32.0	64	.16	.21	.32	.42	.63
330H	33.0	66	.16	.22	.33	.44	.65
360H	36.0	72	.18	.24	.36	.47	.71
390H	39.0	78	.19	.26	.38	.51	.77
400H	40.0	80	.20	.26	.39	.52	.78
410H	41.0	82	.20	.27	.40	.53	.80
420H	42.0	84	.21	.28	.41	.55	.83
450H	45.0	90	.22	.29	.44	.59	.88
480H	48.0	96	.24	.31	.47	.63	.94
490H	49.0	98	.24	.32	.48	.64	.96
510H	51.0	102	.25	.33	.50	.67	1.00
540H	54.0	108	.26	.35	.53	.71	1.06
560H	56.0	112	.27	.37	.55	.73	1.10
570H	57.0	114	.28	.37	.56	.74	1.12
585H	58.5	117	.29	.38	.57	.76	1.15
600H	60.0	120	.29	.39	.59	.78	1.18
630H	63.0	126	.31	.41	.62	.82	1.23
645H	64.5	129	.36	.42	.63	.84	1.44
660H	66.0	132	.32	.43	.65	.86	1.29
700H	70.0	140	.34	.46	.68	.91	1.37
730H	73.0	146	.36	.48	.71	.95	1.43
750H	75.0	150	.37	.49	.73	.98	1.47
780H	78.0	156	.44	.51	.76	1.0	1.52
800H	80.0	160	.39	.52	.78	1.04	1.56
820H	82.0	164	.46	.53	.80	1.07	1.91
850H	85.0	170	.41	.55	.83	1.11	1.66
900H	90.0	180	.44	.59	.88	1.17	1.76
960H	96.0	192	.47	.62	.94	1.25	1.87
1000H	100.0	200	.49	.65	.98	1.30	1.95
1100H	110.0	220	.54	.71	1.07	1.43	2.14
1250H	125.0	250	.61	.81	1.22	1.62	2.43
1400H	140.0	280	.68	.91	1.36	1.82	2.73
1700H	170.0	340	.83	1.10	1.65	2.20	3.31



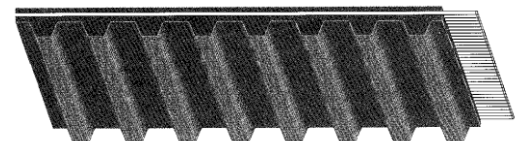
**Engineered for full-power transmission, smooth operation...**  
 Positive Drive belts are made with world class rubber technology which is specifically compounded to resist damaging environmental factors that can shorten belt life. Our specialized compound technology has excellent oil, heat and ozone resistance, increasing durability and preserving belt flexibility leading to extended belt life..

**7/8" PITCH EXTRA HEAVY (XH) POSITIVE DRIVE BELTS**

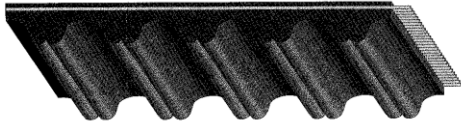
BELT NO	PITCH LENGTH	NUMBER OF TEETH	APPROX WT. LBS. BY WIDTH		
			200	300	400
507XH	50.75	58	1.59	2.39	3.18
560XH	56.00	64	1.75	2.63	3.50
630XH	63.00	72	1.96	2.94	3.93
700XH	70.00	80	2.18	3.26	4.35
770XH	77.00	88	2.39	3.58	4.78
840XH	84.00	96	2.60	3.90	5.20
980XH	98.00	112	3.02	4.54	6.05
1120XH	112.00	128	3.45	5.17	6.90
1260XH	126.00	144	3.87	5.81	7.75
1400XH	140.00	160	4.30	6.45	8.60
1540XH	154.00	176	4.72	7.09	9.45
1750XH	175.00	200	5.36	8.04	10.72

**1-1/4" PITCH DOUBLE EXTRA HEAVY (XXH) POSITIVE DRIVE BELTS**

BELT NO	PITCH LENGTH	NUMBER OF TEETH	APPROX WT. LBS. BY WIDTH			
			200	300	400	500
700XXH	70.0	56	3.13	4.69	6.25	7.82
800XXH	80.0	64	3.56	5.34	7.12	8.89
900XXH	90.0	72	3.99	5.98	7.98	9.97
1000XXH	100.0	80	4.42	6.63	8.84	11.05
1200XXH	120.0	96	5.28	7.92	10.57	13.21
1400XXH	140.0	112	6.15	9.22	12.29	15.36
1600XXH	160.0	128	7.01	10.51	14.02	17.52
1800XXH	180.0	144	7.87	11.81	15.74	19.68



Part No: 560 XH 200  
 560 56.0" Pitch Length  
 XH Pitch-Trapezoidal Tooth Profile  
 200 2.00" Wide



**Part No: 800 8M 50**  
**800** 800 mm Pitch Length  
**8M** 8 mm Pitch, Round Profile  
**50** 50 mm Wide

## Hawk Pd® Belts

*A high-performance synchronous belt with a universal profile*

With its universal tooth profile, Hawk Pd® is precisely designed and manufactured to fit the majority of existing high-capacity synchronous applications. Hawk Pd® can fulfill most existing drive requirements in its class matching competitive offerings of belt width and length.

### Key features & benefits

- › Universal tooth profile drops into existing Pd®, GT® and RPP sprockets. Industry-compatible nomenclature.
- › High-grade compounding.
- › Requires little, if any, retensioning and less drive maintenance.
- › Oil, heat, ozone and abrasion resistant.
- › Designed for high-capacity performance.
- › Higher horsepower rating than traditional timing belts.

### Applications

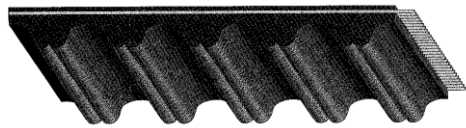
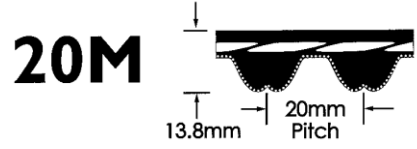
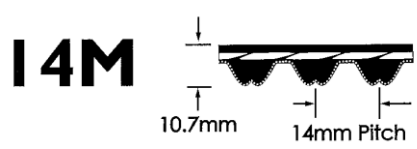
Nearly every conceivable industrial drive application where shaft synchronization is required. Hawk Pd® belts can also be used as an alternative to problem V-belt and chain drives.

- › Aggregate machinery
- › Office equipment
- › Paper industry machinery
- › Machine tool
- › Printing trade machinery
- › Home appliances
- › Food processing equipment
- › HVAC units
- › Packaging machinery
- › Textile machinery
- › Mining equipment
- › Farm machinery
- › Woodworking machinery
- › Vending machines

5MM PITCH Hawk Pd® BELTS					
BELT NO	PITCH LENGTH	NUMBER OF TEETH	APPROX WT. LBS. BY WIDTH		
			5M 09	5M 15	5M 25
350	350	70	.03	.05	.08
375	375	75	.03	.05	.09
400	400	80	.03	.06	.09
425	425	85	.04	.06	.10
450	450	90	.04	.06	.10
475	475	95	.04	.07	.11
500	500	100	.04	.07	.11
535	535	107	.04	.07	.12
565	565	113	.05	.08	.13
600	600	120	.05	.08	.14
635	635	127	.05	.09	.14
670	670	134	.06	.09	.15
710	710	142	.06	.10	.16
740	740	148	.06	.10	.17
800	800	160	.07	.11	.18
850	850	170	.07	.12	.19
890	890	178	.07	.12	.20
950	950	190	.08	.13	.21
1000	1000	200	.08	.14	.22
1050	1050	210	.09	.14	.24
1125	1125	225	.09	.15	.25
1195	1195	239	.10	.16	.27
1270	1270	254	.10	.17	.28
1420	1420	284	.12	.19	.32
1595	1595	319	.13	.21	.36
1690	1690	338	.14	.23	.38
1790	1790	358	.15	.24	.40
1895	1895	379	.15	.26	.42
2000	2000	400	.16	.27	.45

8MM PITCH Hawk Pd® BELTS						
BELT NO	PITCH LENGTH	NUMBER OF TEETH	APPROX WT. LBS. BY WIDTH			
			8M 20	8M 30	8M 50	8M 85
480	480	60	.14	.21	.34	.58
560	560	70	.16	.24	.39	.67
600	600	75	.17	.25	.42	.72
640	640	80	.18	.27	.45	.76
720	720	90	.20	.30	.50	.85
800	800	100	.22	.34	.56	.94
880	880	110	.24	.37	.61	1.04
960	960	120	.26	.40	.66	1.13
1040	1040	130	.29	.43	.72	1.22
1120	1120	140	.31	.47	.77	1.31
1200	1200	150	.33	.50	.83	1.40
1280	1280	160	.35	.53	.88	1.49
1440	1440	180	.39	.60	.99	1.68
1600	1600	200	.44	.66	1.10	1.86
1760	1760	220	.48	.73	1.20	2.05
1800	1800	225	.49	.74	1.23	2.09
2000	2000	250	.54	.82	1.37	2.32
2400	2400	300	.65	.99	1.64	2.78
2600	2600	325	.70	1.07	1.77	3.01
2800	2800	350	.76	1.15	1.91	3.24
3048	3048	381	.82	1.25	2.07	3.52
3280	3280	410	.89	1.35	2.23	3.79
3600	3600	450	.97	1.48	2.45	4.15
4400	4400	550	1.19	1.80	2.99	5.07

ContiTech



Part No: 966 14M 85  
 966 966 mm Pitch Length  
 14M 14 mm Pitch, Round Profile  
 85 85 mm Wide

**AVAILABLE WIDTHS**

14M Pitch	20M Pitch
40 mm	115 mm
55 mm	170 mm
85 mm	230 mm
115 mm	290 mm
170 mm	340 mm

**Belt materials that last longer**

Hawk Pd® belts feature an enhanced rubber compound. This compound is formulated to resist tooth deformity and increase tooth rigidity, increasing belt life and decreasing replacement costs.

The demands of synchronous drives put additional strain on the belt and tooth surface for high-speed and low-speed applications. The Hawk Pd® tooth profile resists ratcheting and provides accurate positioning for synchronous drive applications. Enhanced Continental ContiTech materials and tooth profile enable the teeth to engage the sprocket smoothly.

**High capacity performance**

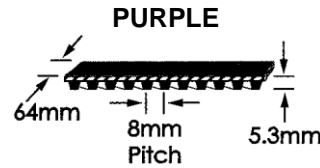
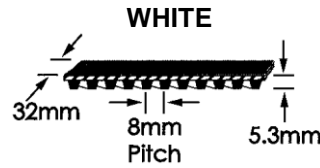
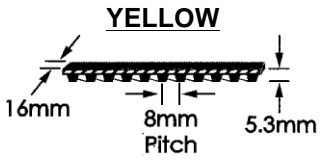
Hawk Pd® synchronous belts are designed for high-capacity performance, exceeding the traditional speed limitations of chain and performance limitations of belt drives. The new material technology delivers a higher horsepower rating and improved life.

**Lower maintenance costs**

Unlike chain drives, Hawk Pd® belts and matching sprockets do not require lubrication. There is also virtually no need for retensioning like there is for V-belts and chain drives. Install Hawk Pd® and reduce your maintenance costs.

14MM PITCH Hawk Pd® BELTS							
BELT NO	PITCH LENGTH	NUMBER OF TEETH	APPROX WEIGHT IN LBS BY WIDTHS AVAILABLE				
			14M 40	14M 55	14M 85	14M 115	14M 170
966	966	69	.96	1.31	2.02	2.74	4.05
1190	1190	85	1.17	1.61	2.47	3.35	4.95
1400	1400	100	1.37	1.88	2.89	3.92	5.79
1610	1610	115	1.56	2.15	3.31	4.49	6.63
1778	1778	127	1.72	2.37	3.65	4.94	7.30
1890	1890	135	1.83	2.52	3.87	5.25	7.75
2100	2100	150	2.03	2.79	4.29	5.82	8.59
2310	2310	165	2.22	3.06	4.71	6.39	9.43
2450	2450	175	2.36	3.24	4.99	6.77	9.99
2590	2590	185	2.49	3.42	5.27	7.15	10.55
2800	2800	200	2.69	3.70	5.69	7.71	11.39
3150	3150	225	3.02	4.15	6.39	8.66	12.79
3360	3360	240	3.22	4.42	6.81	9.23	13.63
3500	3500	250	3.35	4.61	7.09	9.61	14.19
3850	3850	275	3.68	5.06	7.79	10.56	15.59
4326	4326	309	4.13	5.68	8.75	11.85	17.49
4578	4578	327	4.37	6.01	9.25	12.53	18.50
4956	4956	354	4.72	6.50	10.01	13.56	20.01
5320	5320	380	5.07	6.97	10.73	14.54	21.47
5740	5740	410	5.46	7.52	11.57	15.68	23.15
6160	6160	440	5.86	8.06	12.41	16.82	24.83
6860	6860	490	6.52	8.97	13.81	18.72	27.63

20MM PITCH Hawk Pd® BELTS							
BELT NO	PITCH LENGTH	NUMBER OF TEETH	APPROX WEIGHT IN LBS BY WIDTHS AVAILABLE				
			20M 115	20M 170	20M 230	20M 290	20M 340
2000	200.0	100	7.48	11.04	14.96	18.85	22.10
2500	250.0	125	9.29	13.72	18.59	23.43	27.46
3400	340.0	170	12.56	18.53	25.12	31.65	37.11
3800	380.0	190	14.01	20.68	28.02	35.31	41.40
4200	420.0	210	15.46	22.82	30.92	38.97	45.69
4600	460.0	230	16.91	24.96	33.82	42.63	49.97
5000	500.0	250	18.36	27.10	36.72	46.28	54.26
5200	520.0	260	19.09	28.17	38.17	48.11	56.40
5400	540.0	270	19.81	29.24	39.63	49.94	58.55
5800	580.0	290	21.26	31.38	42.53	53.60	62.84
6200	620.0	310	22.71	33.52	45.43	57.26	67.12
6600	660.0	330	24.17	35.66	48.33	60.91	71.41



## 8MM Pitch SilentSync® Belts

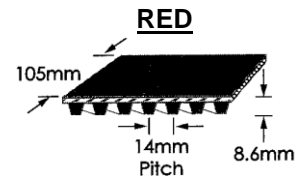
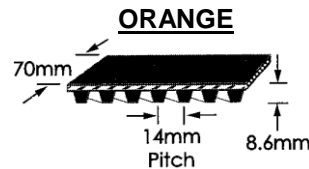
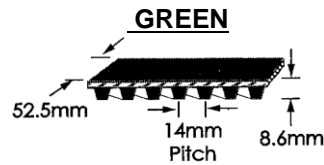
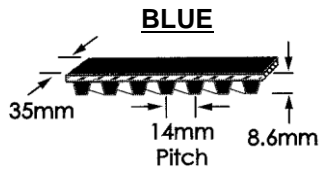
Number Of Teeth	Length In Inches	Yellow Belt Part Number	White Belt Part Number	Purple Belt Part Number
80	25.20	Y-640	W-640	-
90	28.35	Y-720	W-720	P-720
100	31.50	Y-800	W-800	P-800
112	35.28	Y-896	W-896	P-896
125	39.37	Y-1000	W-1000	P-1000
140	44.09	Y-1120	W-1120	P-1120
150	47.24	Y-1200	W-1200	P-1200
160	50.39	Y-1280	W-1280	P-1280
180	56.69	Y-1440	W-1440	P-1440
200	62.99	Y-1600	W-1600	P-1600
224	70.55	Y-1792	W-1792	-
250	78.74	Y-2000	W-2000	-
280	88.19	Y-2240	W-2240	-
300	94.49	Y-2400	W-2400	-

### Part Number Nomenclature

#### Y-640

Y = Yellow Color

640 = 640mm Pitch Length

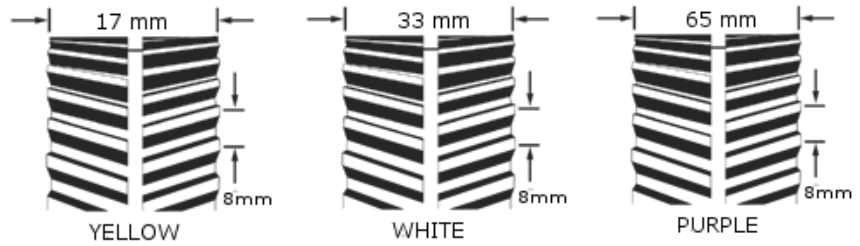


## 14MM Pitch SilentSync® Belts

Number Of Teeth	Length In Inches	Blue Belt Part Number	Green Belt Part Number	Orange Belt Part Number	Red Belt Part Number
71	39.13	B-994	G-994	-	-
80	44.09	B-1120	G-1120	O-1120	-
85	46.85	B-1190	G-1190	O-1190	-
90	49.61	B-1260	G-1260	O-1260	R-1260
100	55.12	B-1400	G-1400	O-1400	R-1400
112	61.73	B-1568	G-1568	O-1568	R-1568
125	68.90	B-1750	G-1750	O-1750	R-1750
140	77.17	B-1960	G-1960	O-1960	R-1960
150	82.68	B-2100	G-2100	O-2100	R-2100
160	88.19	B-2240	G-2240	O-2240	R-2240
170	93.70	B-2380	G-2380	O-2380	R-2380
180	99.21	B-2520	G-2520	O-2520	R-2520
190	104.72	B-2660	G-2660	O-2660	R-2660
200	110.24	B-2800	G-2800	O-2800	R-2800
224	123.46	B-3136	G-3136	O-3136	R-3136
236	130.08	B-3304	G-3304	O-3304	R-3304
250	137.80	B-3500	G-3500	O-3500	R-3500
280	154.33	B-3920	G-3920	O-3920	R-3920


**Part Number: W-32S-H**

W White  
 32 32 Teeth  
 S Sprocket  
 H Bushing Type



## 8M SPROCKETS - MINIMUM PLAIN BORE & BUSHED SIZES

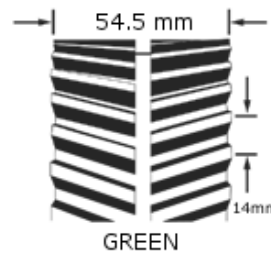
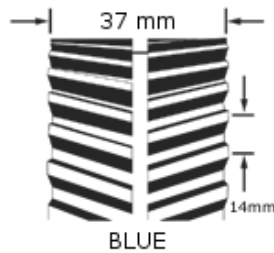
Number of Teeth	Pitch Diameter	Outside Diameter	Yellow Part Numbers		White Part Numbers		Purple Part Numbers
			MPB	BUSHED	MPB	BUSHED	Available in MPB Only
18	1.805	1.751	Y-18S-MPB	-	W-18S-MPB	-	P-18S-MPB
20	2.005	1.951	Y-20S-MPB	-	W-20S-MPB	-	P-20S-MPB
22	2.206	2.152	Y-22S-MPB	-	W-22S-MPB	-	P-22S-MPB
24	2.406	2.352	Y-24S-MPB	-	W-24S-MPB	-	P-24S-MPB
25	2.506	2.452	Y-25S-MPB	-	W-25S-MPB	-	P-25S-MPB
26	2.607	2.553	Y-26S-MPB	-	W-26S-MPB	-	P-26S-MPB
28	2.807	2.753	Y-28S-MPB	Y-28S-H	W-28S-MPB	W-28S-H	P-28S-MPB
30	3.008	2.954	Y-30S-MPB	Y-30S-H	W-30S-MPB	W-30S-H	P-30S-MPB
32	3.208	3.154	Y-32S-MPB	Y-32S-H	W-32S-MPB	W-32S-H	P-32S-MPB
34	3.409	3.355	Y-34S-MPB	Y-34S-H	W-34S-MPB	W-34S-SH	P-34S-MPB
36	3.609	3.555	Y-36S-MPB	Y-36S-SH	W-36S-MPB	W-36S-SH	P-36S-MPB
38	3.810	3.756	Y-38S-MPB	Y-38S-SH	W-38S-MPB	W-38S-SH	P-38S-MPB
40	4.010	3.956	Y-40S-MPB	Y-40S-SH	W-40S-MPB	W-40S-SH	P-40S-MPB
44	4.411	4.357	Y-44S-MPB	-	W-44S-MPB	-	P-44S-MPB
45	4.511	4.457	Y-45S-MPB	Y-45S-SDS	W-45S-MPB	W-45S-SDS	P-45S-MPB
48	4.812	4.758	Y-48S-MPB	Y-48S-SDS	W-48S-MPB	W-48S-SDS	P-48S-MPB
50	5.013	4.959	Y-50S-MPB	Y-50S-SDS	W-50S-MPB	W-50S-SDS	P-50S-MPB
52	5.213	5.159	Y-52S-MPB	-	W-52S-MPB	-	P-52S-MPB
56	5.614	5.560	Y-56S-MPB	Y-56S-SDS	W-56S-MPB	W-56S-SK	P-56S-MPB
60	6.015	5.961	Y-60S-MPB	Y-60S-SDS	W-60S-MPB	W-60S-SK	P-60S-MPB
63	6.316	6.262	Y-63S-MPB	Y-63S-SDS	W-63S-MPB	W-63S-SK	P-63S-MPB
64	6.416	6.362	Y-64S-MPB	-	W-64S-MPB	-	P-64S-MPB
68	6.817	6.763	Y-68S-MPB	-	W-68S-MPB	-	P-68S-MPB
72	7.218	7.164	Y-72S-MPB	-	W-72S-MPB	-	P-72S-MPB
75	7.519	7.465	Y-75S-MPB	Y-75S-SDS	W-75S-MPB	W-75S-SF	P-75S-MPB
76	7.619	7.565	Y-76S-MPB	-	W-76S-MPB	-	P-76S-MPB
80	8.020	7.966	Y-80S-MPB	Y-80S-SDS	W-80S-MPB	W-80S-SF	P-80S-MPB
90	9.023	8.969	Y-90S-MPB	Y-90S-SK	W-90S-MPB	W-90S-SF	P-90S-MPB
112	11.229	11.175	Y-112S-MPB	Y-112S-SK	W-112S-MPB	W-112S-SF	P-112S-MPB
140	14.036	13.982	Y-140S-MPB	Y-140S-SK	W-140S-MPB	W-140S-E	P-140S-MPB
180	18.046	17.992	Y-180S-MPB	Y-180S-SF	W-180S-MPB	W-180S-E	P-180S-MPB
224	22.457	22.403	Y-224S-MPB	Y-224S-E	W-224S-MPB	W-224S-F	P-224S-MPB

## 8M SPROCKETS - BORED TO SUIT (BTS) SIZES

Sprocket Number	Bores Available	Sprocket Number	Bores Available
Y-18S-BTS-	7/8	W-18S-BTS-	7/8,
Y-20S-BTS-	7/8, 1-1/8	W-20S-BTS-	7/8, 1-1/8
Y-22S-BTS-	7/8, 1-1/8	W-22S-BTS-	7/8, 1-1/8
Y-24S-BTS-	7/8, 1-1/8, 1-3/8	W-24S-BTS-	7/8, 1-1/8, 1-3/8
Y-25S-BTS-	7/8, 1-1/8, 1-3/8	W-25S-BTS-	7/8, 1-1/8, 1-3/8
Y-26-BTS-	7/8, 1-1/8, 1-3/8, 1-5/8	W-26-BTS-	7/8, 1-1/8, 1-3/8, 1-5/8


**Part Number: B-30S-SK**

**B** BLUE (14mm pitch, 37mm width)  
**30** 30 Teeth  
**S** Sprocket  
**SK** Bushing Type



## 14M SPROCKETS - MINIMUM PLAIN BORE & BUSHED SIZES

Number of Teeth	Pitch Diameter	Outside Diameter	Blue Part Numbers		Green Part Numbers	
			MPB	BUSHED	MPB	BUSHED
28	4.912	4.802	B-28S-MPB	B-28S-SK	G-28S-MPB	-
30	5.263	5.153	B-30S-MPB	B-30S-SK	G-30S-MPB	-
32	5.614	5.504	B-32S-MPB	B-32S-SK	G-32S-MPB	-
34	5.965	5.855	B-34S-MPB	B-34S-SK	G-34S-MPB	-
36	6.316	6.206	B-36S-MPB	B-36S-SF	G-36S-MPB	G-36S-SF
38	6.667	6.557	B-38S-MPB	B-38S-SF	G-38S-MPB	G-38S-SF
40	7.018	6.908	B-40S-MPB	B-40S-SF	G-40S-MPB	G-40S-SF
43	7.544	7.434	B-43S-MPB	B-43S-SF	G-43S-MPB	G-43S-E
45	7.895	7.785	B-45S-MPB	B-45S-SF	G-45S-MPB	G-45S-E
48	8.421	8.311	B-48S-MPB	B-48S-SF	G-48S-MPB	G-48S-E
50	8.772	8.662	B-50S-MPB	B-50S-E	G-50S-MPB	G-50S-E
56	9.825	9.715	B-56S-MPB	B-56S-E	G-56S-MPB	G-56S-E
60	10.527	10.417	B-60S-MPB	B-60S-E	G-60S-MPB	G-60S-E
63	11.053	10.943	B-63S-MPB	B-63S-F	G-63S-MPB	G-63S-F
71	12.457	12.347	B-71S-MPB	B-71S-F	G-71S-MPB	G-71S-J
75	13.158	13.048	B-75S-MPB	B-75S-F	G-75S-MPB	G-75S-J
80	14.036	13.926	B-80S-MPB	B-80S-F	G-80S-MPB	G-80S-J
90	15.790	15.680	B-90S-MPB	B-90S-F	G-90S-MPB	G-90S-J
112	19.650	19.540	B-112S-MPB	B-112S-F	G-112S-MPB	G-112S-J
140	24.562	24.452	B-140S-MPB	B-140S-J	G-140S-MPB	G-140S-M
168	29.475	29.365	B-168S-MPB	B-168S-J	G-168S-MPB	G-168S-M

## 14M SPROCKETS - BORED TO SUIT (BTS) SIZES

Sprocket Number	Bores Available	Sprocket Number	Bores Available
G-28S-MPB	1-7/8, 2-1/8, 2-3/8	G-32S-MPB	1-7/8, 2-1/8, 2-3/8
G-30S-MPB	1-7/8, 2-1/8, 2-3/8	G-34S-MPB	1-7/8, 2-1/8, 2-3/8

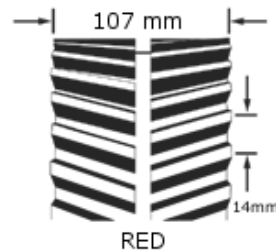
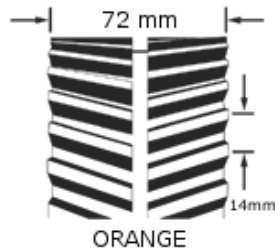


ContiTech



**Part Number: R-45S-F**

R Red (14mm pitch, 107mm width)  
 45 45 Teeth  
 S Sprocket  
 F Bushing Type



## 14M SPROCKETS - MINIMUM PLAIN BORE & BUSHED SIZES

Number of Teeth	Pitch Diameter	Outside Diameter	Orange Part Numbers		Red Part Numbers	
			MPB	BUSHED	MPB	BUSHED
28	4.912	4.802	O-28S-MPB	-	R-28S-MPB	-
30	5.263	5.153	O-30S-MPB	-	R-30S-MPB	-
32	5.614	5.504	O-32S-MPB	-	R-32S-MPB	-
34	5.965	5.855	O-34S-MPB	-	R-34S-MPB	-
36	6.316	6.206	O-36S-MPB	-	R-36S-MPB	-
38	6.667	6.557	O-38S-MPB	-	R-38S-MPB	-
40	7.018	6.908	O-40S-MPB	-	R-40S-MPB	-
43	7.544	7.434	O-43S-MPB	O-43S-E	R-43S-MPB	-
45	7.895	7.785	O-45S-MPB	O-45S-E	R-45S-MPB	R-45S-F
48	8.421	8.311	O-48S-MPB	O-48S-E	R-48S-MPB	R-48S-F
50	8.772	8.662	O-50S-MPB	O-50S-F	R-50S-MPB	R-50S-J
56	9.825	9.715	O-56S-MPB	O-56S-F	R-56S-MPB	R-56S-J
60	10.527	10.417	O-60S-MPB	O-60S-J	R-60S-MPB	R-60S-J
63	11.053	10.943	O-63S-MPB	O-63S-J	R-63S-MPB	R-63S-J
71	12.457	12.347	O-71S-MPB	O-71S-J	R-71S-MPB	R-71S-M
75	13.158	13.048	O-75S-MPB	O-75S-J	R-75S-MPB	R-75S-M
80	14.036	13.926	O-80S-MPB	O-80S-J	R-80S-MPB	R-80S-M
90	15.790	15.680	O-90S-MPB	O-90S-J	R-90S-MPB	R-90S-M
112	19.650	19.540	O-112S-MPB	O-112S-M	R-112S-MPB	R-112S-M
140	24.562	24.452	O-140S-MPB	O-140S-M	R-140S-MPB	R-140S-N
168	29.475	29.365	O-168S-MPB	O-168S-M	R-168S-MPB	R-168S-N

## 14M SPROCKETS - BORED TO SUIT (BTS) SIZES

Sprocket Number	Bores Available	Sprocket Number	Bores Available
O-28S-BTS-	1-7/8, 2-1/8, 2-3/8	R-28S-BTS-	1-7/8, 2-1/8, 2-3/8, 2-7/8
O-30S-BTS-	1-7/8, 2-1/8, 2-3/8	R-30S-BTS-	1-7/8, 2-1/8, 2-3/8, 2-7/8
O-32S-BTS-	1-7/8, 2-1/8, 2-3/8, 2-7/8	R-32S-BTS-	1-7/8, 2-1/8, 2-3/8, 2-7/8
O-34S-BTS-	1-7/8, 2-1/8, 2-3/8, 2-7/8	R-34S-BTS-	1-7/8, 2-1/8, 2-3/8, 2-7/8
O-36S-BTS-	1-7/8, 2-1/8, 2-3/8, 2-7/8	R-36S-BTS-	1-7/8, 2-1/8, 2-3/8, 2-7/8
O-38S-BTS-	1-7/8, 2-1/8, 2-3/8, 2-7/8	R-38S-BTS-	1-7/8, 2-1/8, 2-3/8, 2-7/8
O-40S-BTS-	1-7/8, 2-1/8, 2-3/8, 2-7/8	R-40S-BTS-	1-7/8, 2-1/8, 2-3/8, 2-7/8
-	-	R-43S-BTS-	1-7/8, 2-1/8, 2-3/8, 2-7/8

# Falcon Pd®



**Key features & benefits...**

- › Increased horsepower rating up to 36%
- › Increased continuous operating temperature up to 2100F (98.90C)
- › Size for size convenience (example: 8GTR-640-21=Gates 8MGT®-640-21\*)
- › Static conductive\*\*
- › Reduced operating noise levels to comparable belt drives
- › Exceptional tensile strength for premium performance
- › Rubber construction provides better resistance to flex fatigue
- › Versatility in a wide range of operating temperatures

Falcon Pd® is quickly setting the new standard in synchronous drive system belting. When compared to conventional polyurethane synchronous belts, the benefits of Falcon Pd® become evident.

**Lower maintenance costs...**

Falcon Pd® synchronous belts do not require lubrication often found in chain drive applications. High-modulus cord members minimize the need for retensioning normally required in standard V-belts, reducing your overall maintenance cost.

**Applications**

Any application where a chain drive could be used.

Can also be used with a backside idler when needed, allowing for additional applications.

Suitable for high horsepower, low torque drives.

**8MM PITCH FALCON Pd® BELTS**

BELT NO	PITCH LENGTH	NUMBER OF TEETH	APPROX WT. LBS. BY WIDTH			
			12	21	36	62
8GTR-640	640	80	0.08	0.14	0.25	0.42
8GTR-720	720	90	0.09	0.16	0.28	0.48
8GTR-800	800	100	0.10	0.18	0.31	0.53
8GTR-896	896	112	0.11	0.20	0.34	0.59
8GTR-1000	1000	125	0.13	0.22	0.38	0.66
8GTR-1120	1120	140	0.14	0.25	0.43	0.74
8GTR-1200	1200	150	0.15	0.27	0.46	0.80
8GTR-1280	1260	160	0.16	0.29	0.49	0.85
8GTR-1440	1440	180	0.18	0.32	0.55	0.95
8GTR-1600	1600	200	0.20	0.36	0.61	1.06
8GTR-1792	1792	224	0.23	0.40	0.69	1.19
8GTR-2000	2000	250	0.26	0.45	0.77	1.33
8GTR-2240	2240	280	0.29	0.50	0.86	1.48
8GTR-2400	2400	300	0.31	0.54	0.92	1.59
8GTR-2520	2520	315	0.32	0.56	0.97	1.67
8GTR-2840	2840	355	0.36	0.63	1.09	1.88
8GTR-3200	3200	400	0.41	0.71	1.23	2.12
8GTR-3600	3600	450	0.46	0.80	1.38	2.39
8GTR-4000	4000	500	0.51	0.89	1.54	2.65
8GTR-4480	4480	560	0.57	1.00	1.72	2.97

**14MM PITCH FALCON Pd® BELTS**

BELT NO	PITCH LENGTH	NUMBER OF TEETH	APPROX WT. LBS. BY WIDTH				
			20	37	68	90	125
14GTR-994	994	71	0.35	0.64	1.18	1.56	2.17
14GTR-1120	1120	80	0.39	0.72	1.33	1.76	2.45
14GTR-1190	1190	85	0.42	0.77	1.41	1.87	2.60
14GTR-1260	1260	90	0.44	0.82	1.49	1.98	2.75
14GTR-1400	1400	100	0.49	0.90	1.66	2.20	3.06
14GTR-1568	1568	112	0.55	1.01	1.86	2.46	3.43
14GTR-1750	1750	125	0.61	1.13	2.08	2.75	3.82
14GTR-1890	1890	135	0.66	1.22	2.24	2.97	4.13
14GTR-1960	1960	140	0.69	1.27	2.33	3.08	4.28
14GTR-2100	2100	150	0.74	1.36	2.50	3.30	4.59
14GTR-2240	2240	160	0.79	1.45	2.66	3.52	4.89
14GTR-2380	2380	170	0.84	1.54	2.83	3.74	5.20
14GTR-2520	2520	180	0.88	1.63	2.99	3.96	5.51
14GTR-2660	2660	190	0.93	1.72	3.16	4.18	5.81
14GTR-2800	2800	200	0.98	1.81	3.33	4.40	6.12
14GTR-3136	3136	224	1.10	2.03	3.72	4.93	6.85
14GTR-3304	3304	236	1.16	2.14	3.92	5.19	7.22
14GTR-3500	3500	250	1.23	2.26	4.16	5.50	7.65
14GTR-3920	3920	280	1.38	2.53	4.66	6.16	8.57
14GTR-4410	4410	315	1.55	2.85	5.24	6.93	9.64

\* Poly Chain and GT are registered trademarks of the Gates Corporation

**Cross Reference Info**  
 Gates Poly Chain® GT 2:  
 14MGT-1260-20

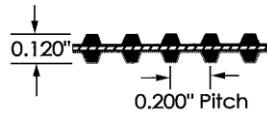
**Falcon Pd:**  
 14GTR-1260-20

Part Number Explanation:

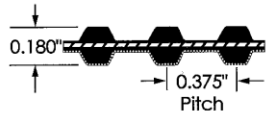
- 14GTR 14mm Pitch
- 1260 1260mm Pitch Length
- 20 20mm Wide

# Dual Hi-Performance Pd<sup>®</sup> & Dual Positive Drive Pd<sup>®</sup> Belts

**XL**  
(EXTRA LIGHT)



**L**  
(LIGHT)



Precision teeth on both sides improves efficiency with dual synchronous belts. This design allows more sophisticated, more efficient and more compact drives where a single belt is needed to provide accurate timing from either side, rotation direction changes or both.

Since a Dual Hi-Performance Pd<sup>®</sup> or Dual Positive Drive belt can replace two or more single-sided synchronous belts, less space is needed. This reduction in space means smaller sprockets can be used, bringing the weight and component cost of the drive system down considerably, contributing to a more efficient drive system.

## 1/5" PITCH EXTRA LIGHT (XL) DUAL POSITIVE DRIVE BELTS

BELT NO	PITCH LENGTH	NUMBER OF TEETH	APPROX WT. LBS. BY WIDTH	
			025	037
D60XL	6.0	30	.01	.01
D70XL	7.0	35	.01	.01
D80XL	8.0	40	.01	.02
D90XL	9.0	45	.01	.02
D100XL	10.0	50	.01	.02
D110XL	11.0	55	.02	.03
D120XL	12.0	60	.02	.03
D130XL	13.0	65	.02	.03
D140XL	14.0	70	.02	.03
D150XL	15.0	75	.02	.03
D160XL	16.0	80	.02	.04
D170XL	17.0	85	.03	.04
D180XL	18.0	90	.03	.04
D190XL	19.0	95	.03	.04
D200XL	20.0	100	.03	.05
D210XL	21.0	105	.03	.05
D220XL	22.0	110	.03	.05
D230XL	23.0	115	.03	.05
D240XL	24.0	120	.04	.05
D250XL	25.0	125	.04	.06
D260XL	26.0	130	.04	.06
D280XL	28.0	140	.04	.06
D290XL	29.0	145	.04	.07
D300XL	30.0	150	.04	.07
D310XL	31.0	155	.05	.07
D330XL	33.0	165	.05	.07
D362XL	36.2	181	.05	.08
D392XL	39.2	196	.06	.09
D450XL	45.0	225	.07	.10
D492XL	49.2	246	.07	.11

## 3/8" PITCH LIGHT (L) DUAL POSITIVE DRIVE BELTS

BELT NO	PITCH LENGTH	NUMBER OF TEETH	APPROX WT. LBS. BY WIDTH		
			050	075	100
D124L	12.4	33	.05	.07	.10
D150L	15.0	40	.06	.09	.12
D187L	18.7	50	.08	.11	.15
D210L	21.0	56	.08	.13	.17
D225L	22.5	60	.09	.14	.18
D240L	24.0	64	.10	.14	.19
D255L	25.5	68	.10	.15	.20
D270L	27.0	72	.11	.16	.21
D285L	28.5	76	.11	.17	.23
D300L	30.0	80	.12	.18	.24
D322L	32.2	86	.13	.19	.25
D345L	34.5	92	.14	.20	.27
D367L	36.7	98	.14	.22	.29
D390L	39.0	104	.15	.23	.31
D420L	42.0	112	.16	.25	.33
D450L	45.0	120	.18	.26	.35
D480L	48.0	128	.19	.28	.38
D510L	51.0	136	.20	.30	.40
D540L	54.0	144	.21	.32	.42
D600L	60.0	160	.24	.36	.48
D660L	66.0	176	.27	.40	.53

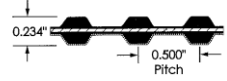
### Dual Hi-Performance Pd<sup>®</sup> belts – 8m and 14m profiles...

Dual Hi-Performance Pd<sup>®</sup> belts, with their unique round tooth profile, drop into corresponding HTD<sup>®</sup> sprockets. They were designed to minimize interference between belt and sprocket during mesh, providing greater horsepower capacity without slippage or speed variation. By designing the tooth to disperse critical stresses and create a positive engagement with the sprocket, belt performance is improved along with assuring longer belt life.

# Dual Hi-Performance Pd<sup>®</sup> & Dual Positive Drive Pd<sup>®</sup> Belts

1/2" PITCH HEAVY (H) DUAL POSITIVE DRIVE BELTS							
BELT NO	PITCH LENGTH	NUMBER OF TEETH	APPROX. WT. LBS. BY WIDTH				
			075	100	150	200	300
D240H	24.0	48	.19	.26	.39	.47	.77
D270H	27.0	54	.22	.29	.39	.53	.86
D300H	30.0	60	.22	.32	.48	.64	.96
D330H	33.0	66	.26	.35	.52	.70	1.05
D360H	36.0	72	.27	.38	.57	.76	1.14
D390H	39.0	78	.29	.41	.62	.82	1.23
D420H	42.0	84	.33	.44	.66	.88	1.32
D450H	45.0	90	.35	.47	.71	.94	1.42
D480H	48.0	96	.38	.50	.75	1.01	1.51
D510H	51.0	102	.40	.53	.80	1.07	1.60
D540H	54.0	108	.42	.56	.85	1.13	1.69
D560H	56.0	112	.43	.56	.87	1.14	1.70
D570H	57.0	114	.45	.59	.89	1.19	1.78
D600H	60.0	120	.47	.63	.94	1.25	1.88
D630H	63.0	126	.47	.66	.98	1.31	1.97
D660H	66.0	132	.52	.69	1.03	1.37	2.06
D700H	70.0	140	.55	.73	1.09	1.46	2.18
D750H	75.0	150	.58	.78	1.17	1.56	2.34
D800H	80.0	160	.62	.83	1.24	1.66	2.49
D850H	85.0	170	.66	.88	1.32	1.76	2.64
D900H	90.0	180	.70	.93	1.40	1.86	2.80
D1000H	100.0	200	.78	1.03	1.55	2.07	3.10
D1100H	110.0	220	.85	1.14	1.70	2.27	3.41
D1250H	125.0	250	.97	1.29	1.93	2.58	3.87
D1400H	140.0	280	1.08	1.44	2.16	2.89	4.33
D1700H	170.0	340	1.32	1.75	2.62	3.50	5.25

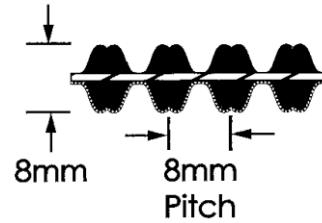
**H**  
(HEAVY)



**Key features & benefits...**

- › Dual-sided teeth versatility in 8M, 14M, XL, L and H profiles.
- › High-grade compounding.
- › Fiberglass tension cords for excellent resistance to shrinkage and elongation.
- › More compact drive designs.
- › Oil, heat, ozone and abrasion resistant.

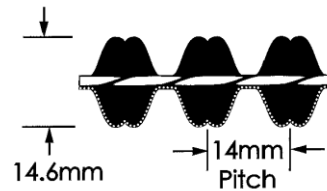
8MM PITCH DUAL HPPD BELTS							
BELT NO	PITCH LENGTH	NUMBER OF TEETH	APPROX. WHT. LBS.	BELT NO	PITCH LENGTH	NUMBER OF TEETH	APPROX. WHT. LBS.
D720 8M 20	720	90	0.34	D1760 8M 50	1760	220	2.01
D800 8M 20	800	100	0.37	D1800 8M 20	1800	225	0.82
D800 8M 30	800	100	0.57	D1800 8M 30	1800	225	1.24
D880 8M 30	880	110	0.62	D2000 8M 30	2000	250	1.38
D960 8M 30	960	120	0.68	D2400 8M 20	2400	300	1.08
D1040 8M 20	1040	130	0.48	D2400 8M 30	2400	300	1.65
D1120 8M 20	1120	140	0.52	D2400 8M 50	2400	300	2.73
D1120 8M 30	1120	140	0.78	D2600 8M 30	2600	325	1.76
D1200 8M 30	1200	150	0.84	D2800 8M 20	2800	350	1.26
D1280 8M 30	1280	160	0.89	D2800 8M 30	2800	350	1.92
D1440 8M 20	1440	180	0.62	D3048 8M 50	3048	381	3.45
D1440 8M 30	1440	180	1.00	D3280 8M 50	3280	410	3.71
D1440 8M 50	1440	180	1.66	D3600 8M 30	3600	450	2.46
D1600 8M 20	1600	200	0.73	D3600 8M 50	3600	450	4.07
D1600 8M 30	1600	200	1.05	D3600 8M 85	3600	450	6.91
D1600 8M 50	1600	200	1.84	D4400 8M 85	4400	550	8.43
D1760 8M 30	1760	220	1.22				



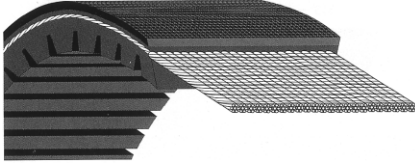
**Advanced compound technology for long life...**

Continental ContiTech dual synchronous belts are made with specialized compound technology designed to resist damaging environmental factors that can shorten belt life. This compound technology has excellent oil, heat, ozone and abrasion resistance, increasing durability and preserving belt flexibility leading to extended belt life.

14MM PITCH DUAL HPPD BELTS							
BELT NO	PITCH LENGTH	NUMBER OF TEETH	APPROX. WHT. LBS.	BELT NO	PITCH LENGTH	NUMBER OF TEETH	APPROX. WHT. LBS.
D1400 14M 55	1400	100	3.19	D3150 14M 40	3150	225	5.07
D1610 14M 40	1610	115	2.65	D3500 14M 85	3500	250	11.90
D1778 14M 40	1778	127	2.91	D3850 14M 55	3850	275	8.49
D1778 14M 55	1778	127	4.01	D3850 14M 85	3850	275	13.07
D1890 14M 40	1890	135	3.09	D4326 14M 55	4326	309	9.52
D1890 14M 85	1890	135	6.54	D4578 14M 55	4578	327	10.06
D2100 14M115	2100	150	9.81	D6160 14M 85	6160	440	20.76
D2450 14M 40	2450	175	3.97				



## ContiTech



### Part No: 3226V585

- 32 32/16" Top Width
- 26 Angle of Sheave Groove
- V Variable Speed Profile  
With Flexten Tensile Member
- 585 58.5" Pitch Length

Molded Edge Cogged Construction is Shown Above

### APPLICATIONS

For use on variable speed sheave drives requiring exact speed control and maximum range of speed changes. Ideal for recreational equipment, agricultural applications and machine tools

- \* Exercise Equipment
- \* Medical Equipment
- \* Farm Equipment
- \* Automobiles
- \* Power Equipment
- \* Machine Tools

### KEY FEATURES & BENEFITS

- \* Durable variable speed profile
- \* Super strong aramid tensile members.
- \* Fiber-reinforced Wingprene compression section.
- \* Precision molded construction
- \* High horsepower capacity
- \* Three construction types are available.
- \* Oil, heat, ozone and abrasion resistant
- \* Static conductive

### TOP PERFORMANCE AT EVERY SPEED

Continental ContiTech Variable Speed belts deliver the speed and HP the drives on your equipment were designed to achieve. Excellent transverse rigidity and exceptional flexibility help prevent buckling at minimum diameter settings where the belt stresses are the greatest. Firm gripping action in the contact area provides positive traction for precise response. Together, they assure reliable as well as predictable transmission of maximum power over the drive's full operating range. That translates to less downtime for belt maintenance as well as more productivity from your equipment.

BELT NO	WEIGHT LBS	BELT NO	WEIGHT LBS	BELT NO	WEIGHT LBS
1228V255	0.25	1922V454	0.83	2322V661	1.66
1422V235	0.29	1922V460	0.84	2322V681	1.71
1422V240	0.27	1922V484	0.88	2322V701	1.76
1422V270	0.30	1922V526	0.96	2322V721	1.81
1422V290	0.33	1922V544	1.00	2322V801	2.02
1422V300	0.34	1922V604	1.11	2322V826	2.08
1422V330	0.37	1922V630	1.15	2322V846	2.13
1422V340	0.38	1922V646	1.18	2322V886	2.23
1422V360	0.41	1922V666	1.22	2322V921	2.42
1422V400	0.45	1922V686	1.16	2322V1001	2.63
1422V420	0.48	1922V706	1.19	2322V1061	2.77
1422V440	0.50	1922V721	1.22	2326V310	0.65
1422V460	0.52	1922V726	1.22	2326V359	0.76
1422V466	0.53	1922V751	1.38	2330V273	0.47
1422V470	0.55	1922V756	1.39	2330V338	0.58
1422V480	0.55	1922V806	1.36	2426V343	1.06
1422V540	0.61	1922V846	1.42	2430V297	0.83
1422V600	0.68	1922V891	1.50	2430V302	0.64
1422V660	0.77	1922V966	1.62	2430V319	0.73
1422V720	0.84	1922V1146	1.91	2430V345	0.97
1422V780	0.91	1926V250	0.46	2430V379	1.04
1430V215	0.19	1926V275	0.50	2436V331	0.79
1430V315	0.40	1926V407	0.88	2526V314	0.86
1430V450	0.61	1926V427	0.92	2528V370	1.20
1430V500	0.68	1930V366	0.74	2530V300	0.81
1622V270	0.40	1930V400	0.81	2530V335	0.84
1622V336	0.50	1930V425	0.86	2530V490	1.88
1626V262	0.40	1930V431	0.88	2530V500	1.91
1626V290	0.38	1930V450	0.92	2530V530	2.03
1626V293	0.52	1930V491	1.00	2530V550	2.11
1626V304	0.54	1930V500	1.06	2530V575	2.21
1626V330	0.50	1930V541	1.10	2530V595	2.29
1626V339	0.60	1930V560	1.14	2530V600	2.31
1626V380	0.58	1930V591	1.21	2530V610	2.35
1626V384	0.59	1930V600	1.27	2530V630	2.43
1626V395	0.59	1930V641	1.31	2530V660	2.54
1626V411	0.54	1930V691	1.42	2530V670	2.58
1626V428	0.65	1930V750	1.57	2530V690	2.66
1626V440	0.78	1930V991	2.03	2530V700	2.70
1626V455	0.59	1930V1091	2.25	2530V730	2.82
1626V513	0.79	2026V422	0.82	2530V750	2.90
1626V517	0.73	2026V445	0.72	2530V790	3.05
1626V597	0.85	2026V607	0.99	2530V840	3.25
1626V604	0.93	2126V309	0.52	2530V850	3.29
1626V658	0.97	2126V365	0.87	2530V890	3.44
1626V700	1.07	2226V307	0.68	2530V934	3.62
1628V210	0.26	2230V266	0.58	2530V990	3.84
1628V315	0.50	2230V273	0.52	2530V1090	4.23
1632V210	0.28	2230V275	0.57	2626V369	1.31
1822V328	0.58	2230V285	0.58	2626V388	1.21
1828V368	0.78	2230V326	0.62	2630V345	0.95
1922V256	0.46	2230V375	0.70	2630V395	1.40
1922V277	0.50	2322V329	1.01	2636V332	1.21
1922V282	0.51	2322V347	1.07	2822V778	3.74
1922V298	0.54	2322V364	0.92	2826V452	1.71
1922V302	0.52	2322V384	0.97	2830V337	1.09
1922V321	0.53	2322V396	1.00	2830V363	0.99
1922V332	0.60	2322V421	1.07	2830V366	1.00
1922V338	0.61	2322V434	1.10	2830V367	1.20
1922V363	0.66	2322V441	1.12	2830V393	1.07
1922V381	0.69	2322V461	1.17	2830V396	1.08
1922V386	0.70	2322V481	1.22	2830V422	1.15
1922V403	0.70	2322V521	1.32	2830V428	1.17
1922V417	0.76	2322V541	1.38	2836V343	1.20
1922V426	0.77	2322V601	1.53	2836V350	1.38
1922V443	0.81	2322V621	1.58	2836V380	1.38

## ContiTech

BELT NO	WEIGHT LBS	BELT NO	WEIGHT LBS	BELT NO	WEIGHT LBS
2926V366	1.51	3230HV620	3.49	4430V710	5.41
2926V400	1.50	3230V621	3.17	4430V718	5.47
2926V426	1.60	3230HV626	3.53	4430V730	5.57
2926V471	1.77	3230V630	3.22	4430V740	5.64
2926V477	1.94	3230HV644	3.63	4430V750	5.72
2926V486	1.83	3230V670	3.43	4430V760	5.79
2926V491	1.85	3230HV685	3.87	4430V780	8.22
2926V521	1.97	3230HV702	3.96	4430V790	6.03
2926V534	2.16	3230V710	3.64	4430V800	6.11
2926V546	2.06	3230HV723	4.09	4430V850	6.50
2926V574	2.17	3230V750	3.84	4430V900	6.88
2926V586	2.22	3230V771	3.95	4430V910	6.96
2926V606	2.29	3230V800	4.11	4430V930	7.11
2926V616	2.33	3230HV821	4.65	4430V950	7.27
2926V636	2.41	3230V850	4.39	4430V970	7.42
2926V646	2.45	3230HV856	4.86	4430V1000	7.66
2926V666	2.52	3230V900	4.64	4430V1030	7.89
2926V686	2.60	3230HV931	5.29	4430V1060	8.12
2926V706	2.70	3230HV960	5.47	4430V1090	8.37
2926V726	2.75	3230HV1060	6.02	4430V1120	8.59
2926V776	2.95	3230V1120	5.74	4430V1150	8.83
2926V786	2.99	3230V1180	6.03	4430V1180	9.06
2926V834	3.17	3236V369	1.51	4430V1250	9.60
2926V856	3.26	3236V389	1.59	4430V1320	10.15
2926V891	3.39	3236V432	2.03	4430V1410	10.50
2926V906	3.45	3326V478	2.27	4430V1460	10.87
2926V921	3.50	3430V424	1.97	4430V1610	12.0
2926V966	3.68	3430V476	2.22	4436V525	4.64
2926V1006	3.83	3430V493	2.33	4436V551	4.11
2926V1026	4.08	3432V450	1.95	4436V646	4.84
2926V1086	4.31	3432V456	1.98	4630V650	6.02
2926V1106	4.22	3432V480	2.08	4630V663	6.14
2926V1146	4.54	3432V484	2.10	4630V733	6.80
2930V348	1.24	3432V528	2.30	4630V1070	8.87
2930V420	1.41	3432V534	2.32	4636V613	5.01
3030V377	1.45	3630V455	2.29	4830V602	5.27
3030V387	1.63	3636V479	2.54	4830V653	6.34
3226V392	1.62	3726V558	3.39	4830V699	6.14
3226V395	1.68	3826V465	2.51	4830V730	7.06
3226V400	1.66	3830V510	3.11	4830V750	6.59
3226V433	1.92	3830V517	3.16	4830V850	8.16
3226V439	1.96	3830V580	3.55	4830V970	9.26
3226V450	1.88	3830V587	3.30	4830V1070	10.18
3226V465	1.98	3836V418	2.09	4836V618	5.42
3226V505	2.16	3836V426	2.13	4836V655	5.76
3226V514	2.29	3836V654	2.09	4836V670	7.03
3226V545	2.42	3836V794	4.26	4836V710	7.42
3226V585	2.51	4030V590	3.89	4836V800	8.31
3226V603	2.59	4036V541	3.54	4836V850	8.80
3226V650	2.86	4036V574	3.63	4836V900	9.30
3226V663	2.85	4230V556	3.47	4836V950	9.79
3226V723	3.11	4230V605	4.13	4836V1000	10.29
3226V783	3.37	4230V653	4.09	4836V1060	10.88
3226V843	3.64	4430V510	3.85	4836V1120	11.47
3226V903	3.90	4430V530	4.01	4836V1180	12.06
3226V963	4.16	4430V548	4.14	4836V1250	11.86
3226V1023	4.45	4430V555	4.20	5130V732	8.28
3226V1083	4.71	4430V560	4.24	5130V787	8.92
3230V419	1.76	4430V570	4.32	5228V930	11.11
3230V481	2.43	4430V578	4.38	5230V662	6.87
3230HV528	2.96	4430V600	4.55	5230V734	8.69
3230HV546	3.06	4430V610	4.64	5230V867	10.06
3230HV553	3.10	4430V630	4.78	5636V774	8.91
3230HV570	3.21	4430V652	5.21	5830V756	10.29
3230HV585	3.29	4430V660	5.02	5836V737	9.02
3230V600	3.07	4430V670	5.10	6236V607	7.00
3230HV603	3.39	4430V690	5.25	6236V725	8.39
3230HV613	3.45	4430V700	5.33	6236V762	8.83

### Less Drive Wear...

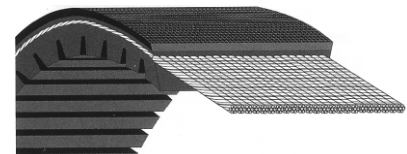
The precision forming that goes into every Continental Contitech's Variable Speed belts assures a completely uniform cross section. This allows even tracking and smooth running without any vibration problems. As a result, the life of the belt as well as bearings, sheaves and other drive component is significantly extended. Longer wear is a great way to save money and increase productivity.

### Exceptional lengthwise flexibility allows for small pulleys...

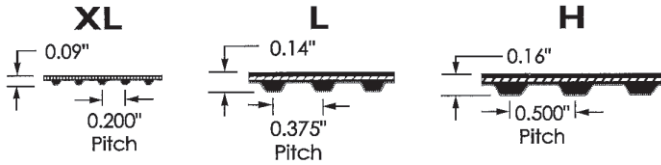
These belts are built with thin with precise, uniform cogs on the underside for maximum lengthwise flexibility. They can be used on small pulley drives without any sacrifice of gripping action or cross rigidity. Cogging also helps minimizing bottom cracking, a major cause of premature failure.

### True dimensional stability and higher horsepower capability for long belt life...

The aramid tension cords get their muscle from a special tempering for maximum strength and resilience. This gives Continental ContiTech Variable Speed belts the dimensional stability they need to carry more horsepower and experience less elongation over the life of the belt. In short, these Variable Speed belts provide you with longer life on the toughest drives.



ContiTech

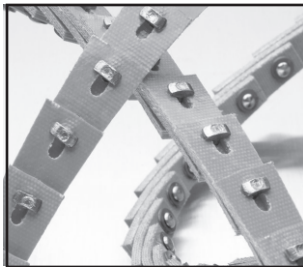


In power transmission or synchronization applications such as conveying, linear motion or positioning, Continental ContiTech Open End Pd® belts are the economical and trouble-free drive solution.

## OPEN END POSITIVE DRIVE

Part Number	Lbs Per Foot	Roll Quantity
XL037	0.02	711 FT
L050	0.03	516 FT
L075	0.05	338 FT
L100	0.06	248 FT
H050	0.04	550 FT
H075	0.05	360 FT
H100	0.07	265 FT
H150	0.11	170 FT
H200	0.14	122 FT
H300	0.22	75 FT

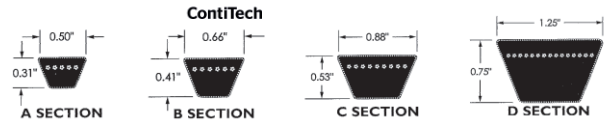
## NU-T-LINK LINK BELTING



NuT-Link® BELTING	
Part Number	Roll/Box Quantity in Meters
A-NU-T-LINK 10M	10M (32.8 FT)
A-NU-T-LINK 20M	20M (65.6 FT)
B-NU-T-LINK 10M	10M (32.8 FT)
B-NU-T-LINK 20M	20M (65.6 FT)

\*NuT-Link is a registered trademark of Fenner Drives

## ContiTech OPEN END V-BELTING



### OPEN END V-BELTING

Belt Size	Lbs Per Foot	Roll Lot
A Section	0.09	250 FT
B Section	0.13	250 FT
C Section	0.21	250 FT
D Section	0.41	250 FT

Roll Lot - Max 2 PCS

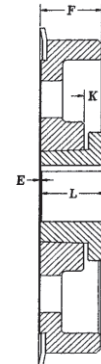


## Cotton Ginning Industry Products



### MAUREY COTTON CLEANER PULLEY

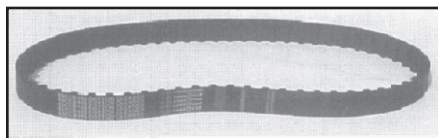
- Spoked Design offers lower weight (less overhung load) and makes the part easier to handle (32CCP150SK is Solid )
- Uses Maurey standard Ful-Grip (QD) bushing to secure the pulley to the shaft and accommodate multiple bore sizes
- Machined teeth provide smooth mating surface for the belt
- Durable steel flange on one side keeps belt running true



PART NUMBER	PULLEY DIA.	FLANGE DIA.	BUSHING	E	F	K	L	WEIGHT
30CCP150SK	9.46 IN.	10.19 IN.	SK	1/16"	1-3/4"	1/2"	1-3/8"	13.5 LBS.
32CCP150SK	10.28 IN.	11.00 IN.	SK	1/16"	1-3/4"	1/2"	1-3/8"	21.7 LBS.

## COTTON INDUSTRY BELTS

ContiTech



### GINNING INDUSTRY BELTS

PART NUMBER	NO. OF TEETH	PITCH LENGTH	WEIGHT
61CCB142	60	61.0	1.75
63CCB165	63	63.0	2.02
64CCB170	64	64.0	1.84
65CCB175	65	65.0	1.86
D74CC		79.4	3.00
C810CC		83.6	1.50

\*Note D74CC and C810CC are grouped for discount as HY-T Belts