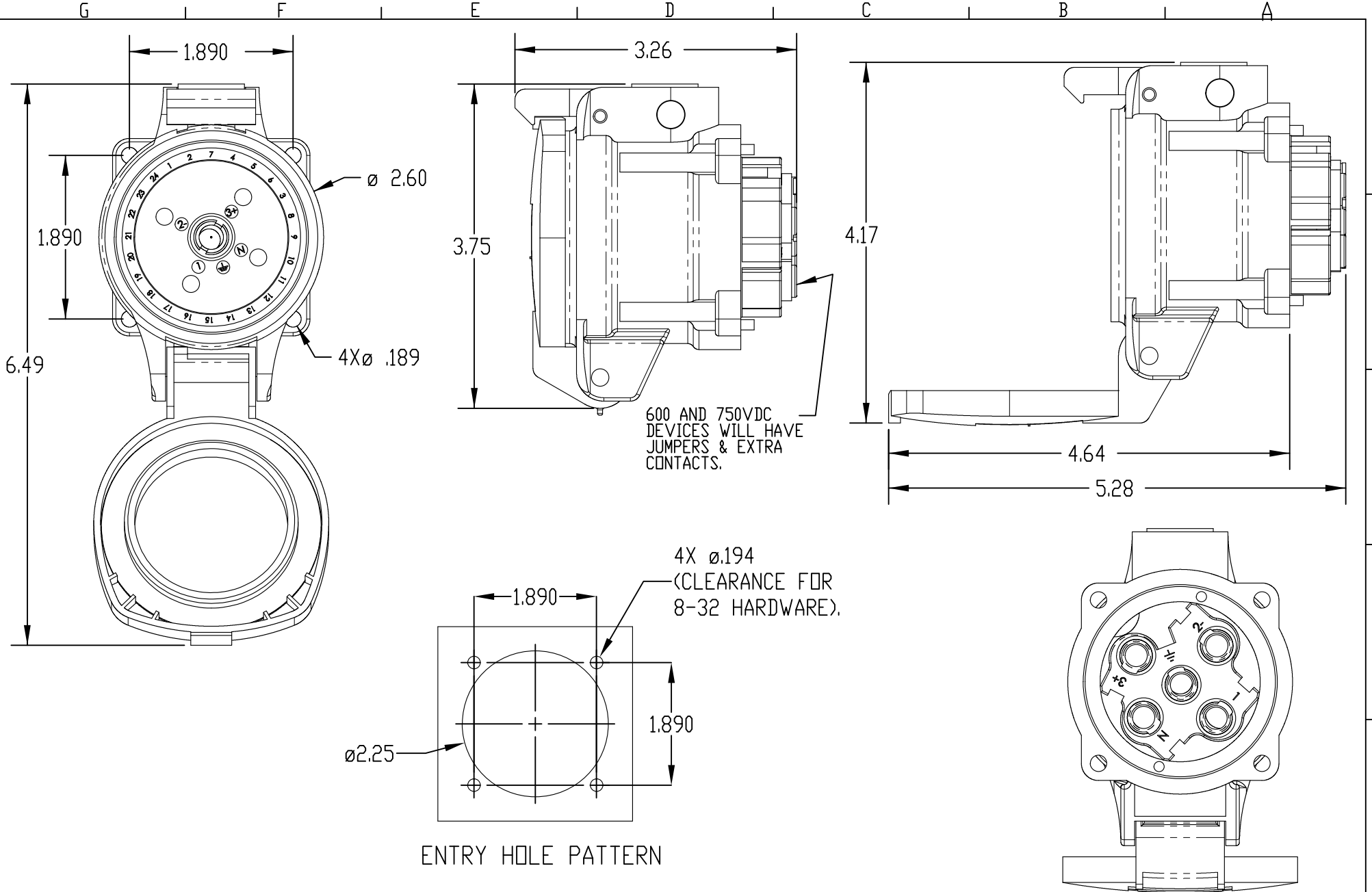


This drawing is the property of MELTRIC Corporation, Franklin (Milwaukee), Wisconsin, USA. Any unauthorized copying of this drawing by any means, or disclosure of its contents to any person not authorized by MELTRIC Corporation or its agents to receive it, is strictly prohibited.



ENG/RD/06 REV: 20 ISSUED DATE: 11/15/11

TOLERANCES UNLESS OTHERWISE SPECIFIED	
MACHINED SURFACES	$\sqrt{125}$ MAX
GROUND SURFACES	$\sqrt{32}$ MAX
ANGLE TOLERANCE	$\pm 1^\circ$
REMOVE BURRS & SHARP EDGES TO .015 MAX.	
DIMENSIONS SHOWN IN OVALS ARE INSPECTION DIMENSIONS.	
ENGLISH 0.X ± 0.05 0.XX ± 0.01 0.XXX ± 0.005	

		DRAWING TITLE:	
		DSDC1 RECEPT., ALL VOLTAGES/AMPERAGES	
DATE:	SCALE:	MATERIAL:	
		BLUE POLY CASING	
SHEET:	PART NUMBER:	REVISION:	
1 OF 1	33-14xxx(-xxx)		