



M16, M23 & M27 Series

MCL Series (M16), MCV & MCVH (M23), MCX Series (M27)

Over-Molded Cables | Receptacles | Field Wireables | Accessories

UL File #:
E149111



Cables

Mencom offers over-molded cables and field wireable connectors. Many are available in straight and right angle configurations. The cables are available in many off the shelf lengths and the jacket material is typically PVC, PUR or TPE. For custom applications please consult the factory.



Receptacles

Nothing says "convenience" more than a completed, pre-wired, ready to use, multi-pin receptacle. Many of our receptacles are available fully potted with an industry leading array of mounting options. These include 1/2" NPT, M20, M25, Panel Mount, and Back Mount to name a few. Standard lead lengths are 0.3m, 0.5m 1m, 2m and 3m, but we can easily customize to your required length and/or color code. Solder cup and crimp terminations are also available.

E

M16, M23 & M27 Series



M16, M23 & M27 Series

MCL Series (M16), MCV & MCVH (M23), MCX Series (M27)



Contents

MCV (M23) Cordsets	Part Number Matrix	E-3
	Straight	E-4 ~ E-9
	Right Angle	E-10 ~ E-15
	Double Ended	E-16 ~ E-19

Field Wireable Plugs	MCV (M23) Crimp Pins & Tools	E-20 ~ E-22
	MCVH (M23) Crimp Pins & Tools	E-23
	MCL (M16)	E-24
	MCX (M27)	E-25

Cordset Accessories	Caps	E-26
	Crimping Tool	E-27
	Go - No Go Gauge	E-27
	Assembly Tool	E-27
	Locator	E-27
	Raw Cables	E-28

Receptacles	Part Number Matrix	E-29		
	Index	E-30 ~ E-33		
	MCV (M23)	Front Mount	Pre-Wired	E-34 ~ E-35
			Solder Cup/Crimp Pins	E-42
		Back Mount	E-36 ~ E-37	
		Panel Mount	E-38 ~ E-39	
		Rear Mount	E-40 ~ E-41	
	MCVH (M23)	E-43		
	MCL (M16)	E-44		
	MCX (M23)	Front Mount & Solder Cup	E-45	
		Back Mount & PCB Back Mount	E-46	

Receptacle Accessories	Caps	E-26
	Crimping Tool	E-27
	Go - No Go Gauge	E-27
	Locator	E-27
	Jam & Lock Nuts	E-47

E

M16, M23 & M27 Series



M16, M23, M27 Series Cordsets

M16, M23, M27 Series Cordset Part Number Matrix



Not all options available with all cordsets, please consult factory.

MC [] [] - [] [] - [] - [] - [] - [] - []

Connector Type

- L = M16
- V = M23 Control
- VH = M23 Power
- X = M27

Cable Type

- Blank = PVC
- P = PUR
- W = TPE
- WF = TPE High-Flex

Number of Conductors

- 6
- 7
- 8
- 12
- 14
- 16
- 17
- 19
- 26
- 28

Connector Configuration

- MP = Male Plug
- FP = Female Plug
- MPM = Male Plug with Male Threads
- MFP = Male / Female Extension
- MMFP = Male with Male Threrads / Female Extension
- MFRP = Male Straight / Female Right Angle
- MRFP = Male Right Angle / Female Straight
- MPX = Male Plug - All 18 awg
- FPX = Female Plug - All 18 awg
- MPMX = Male Plug with Male Threads - All 18 awg
- MFPX = Male / Female Extension - All 18 awg
- MMFPX = Male with Male Threrads / Female Extension - All 18 awg
- MFRPX = Male Straight / Female Right Angle - All 18 awg
- MRFPX = Male Right Angle / Female Straight - All 18 awg

Coupling Nut

- Blank = Nickel plated brass
- SS = Stainless Steel

Other Variables

- C010 = ITC-ER/PLTC-ER
- N01 = Numbered Cable

Termination Type

- Blank = Pre-Wired
- FW-SC = Field Wireable Solder Cup
- FW-CC = Field Wireable Crimp

R/A or Straight

- Blank = Straight *
- R = Right Angle **

* Unless the Connector Configuration is MFRP or MRFP

** If single ended cable, right angle connector to flying leads
If double ended cable, right angle on both connectors

Length in Meters

- 1M
- 2M
- 4M
- 5M
- 6M
- 10M
- 15M

Other lengths are available by request.

E

M16, M23 & M27 Series



MCV (M23) Series Cordsets

12 Conductor M23 Series Cordsets, 18/22AWG



Straight Male Cordsets | 300 Volt, 6 amps | 300 Volt, 6 & 2 amps | IP67 Rating



E
M23 Series

18 AWG					
Connector Body Style	Part Number	Cables	Features	Color Code	Faceview
	MCVW-12MPX-**-N01	Black TPE AWM 12 X 18 AWG 300V, 6A -40°C to +105°C 9.9mm OD	Weld Slag Resistant TPE	Black Numbered Wires #1-11 Green/Yellow #12	<p>M23 x 1</p>
18 & 22 AWG					
	MCVP-12MP-**-**	Black PUR AWM With Foil Shield 3 X 18 AWG 300V, 6A 9 X 22 AWG 300V, 2A -40°C to +80°C 8.1mm OD	Oil and Cutting Fluid Resistant Cut Resistant PUR Foil Shield	1. Brown*** 2. Brown/White 3. Blue*** 4. White 5. Green 6. Yellow 7. Gray 8. Pink 9. Red 10. Black 11. Violet 12. Green/Yellow***	<p>M23 x 1</p>
	MCVW-12MP-**-**	Black TPE AWM With Foil Shield 3 X 18 AWG 300V, 6A 9 X 22 AWG 300V, 2A -40°C to +80°C 8.1mm OD	Weld Slag Resistant TPE Foil Shield		

** Lengths in meters. Standard cable lengths are 1, 2, 4, 5, 6, 10 & 15 meters. Consult factory for other lengths.

*** Brown, Blue and Green/Yellow are 18AWG

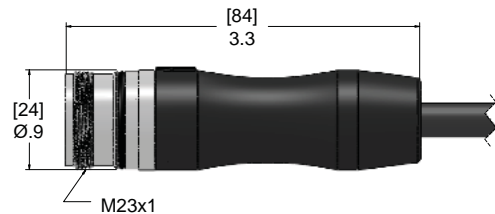
Standard coupling nut is nickel plated brass. Stainless steel coupling nut is available only for female threads.

For stainless steel coupling nut add a "-SS" suffix. (e.g. MCVP-12MP-1M becomes MCV-12MP-1M-SS)

Fixed Male Thread Option

For male threaded coupling replace "MP/MPX" with "MPM/MPMX".

(e.g. MCVP-12MP-1M becomes MCVP-12MPM-1M)





MCV (M23) Series Cordsets

12 Conductor M23 Series Cordsets, 18/22AWG



Straight Female Cordsets | 300 Volt, 6 amps | 300 Volt, 6 & 2 amps | IP67 Rating



18 AWG					
Connector Body Style	Part Number	Cables	Features	Color Code	Faceview
	MCVW-12FPX-**-N01	Black TPE AWM 12 X 18 AWG 300V, 6A -40°C to +105°C 9.9mm OD	Weld Slag Resistant TPE	Black Numbered Wires #1-11 Green/Yellow #12	 M23 x 1
18 & 22 AWG					
	MCVP-12FP-**	Black PUR AWM With Foil Shield 3 X 18 AWG 300V, 6A 9 X 22 AWG 300V, 2A -40°C to +80°C 8.1mm OD	Oil and Cutting Fluid Resistant Cut Resistant PUR Foil Shield	1. Brown*** 2. Brown/White 3. Blue*** 4. White 5. Green 6. Yellow 7. Gray 8. Pink 9. Red 10. Black 11. Violet 12. Green/Yellow***	 M23 x 1
	MCVW-12FP-**	Black TPE AWM With Foil Shield 3 X 18 AWG 300V, 6A 9 X 22 AWG 300V, 2A -40°C to +80°C 8.1mm OD	Weld Slag Resistant TPE Foil Shield		

E
M23 Series

** Lengths in meters. Standard cable lengths are 1, 2, 4, 5, 6, 10 & 15 meters. Consult factory for other lengths.

*** Brown, Blue and Green/Yellow are 18AWG

Standard coupling nut is nickel plated brass, for stainless steel coupling nut add a "-SS" suffix. (e.g. MCVP-12FP-1M becomes MCV-12FP-1M-SS)



MCV (M23) Series Cordsets

16 & 17 Conductor M23 Series Cordsets, 18AWG



Straight Male Cordsets | 150 Volt, 5 amps | IP67 Rating



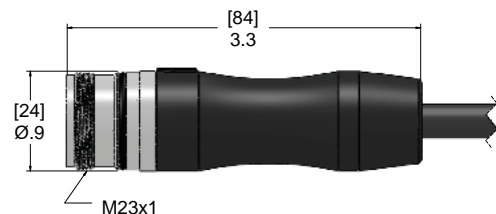
E
M23 Series

16 Pole																					
Connector Body Style	Part Number	Cables	Features	Color Code	Faceview																
	MCV-16MPX-**-N01	Black PVC AWM 16 X 18 AWG 150V, 5A -40°C to +90°C 13.6mm OD	PVC ITC-ER/PLTC-ER	Black Numbered Wires #1-15 Green/Yellow #16	<p>M23 x 1</p>																
	MCV-16MPX-**-C010	Black PVC AWM 16 X 18 AWG 150V, 5A -40°C to +90°C 12.1mm OD	PVC ITC-ER/PLTC-ER	<table border="0"> <tr> <td>1. White</td> <td>9. Black</td> </tr> <tr> <td>2. Brown</td> <td>10. Violet</td> </tr> <tr> <td>3. Green</td> <td>11. Gray/Pink</td> </tr> <tr> <td>4. Yellow</td> <td>12. Red/Blue</td> </tr> <tr> <td>5. Gray</td> <td>13. White/Green</td> </tr> <tr> <td>6. Pink</td> <td>14. Brown/Green</td> </tr> <tr> <td>7. Blue</td> <td>15. White/Yellow</td> </tr> <tr> <td>8. Red</td> <td>16. Yellow/Brown</td> </tr> </table>		1. White	9. Black	2. Brown	10. Violet	3. Green	11. Gray/Pink	4. Yellow	12. Red/Blue	5. Gray	13. White/Green	6. Pink	14. Brown/Green	7. Blue	15. White/Yellow	8. Red	16. Yellow/Brown
1. White	9. Black																				
2. Brown	10. Violet																				
3. Green	11. Gray/Pink																				
4. Yellow	12. Red/Blue																				
5. Gray	13. White/Green																				
6. Pink	14. Brown/Green																				
7. Blue	15. White/Yellow																				
8. Red	16. Yellow/Brown																				
17 Pole																					
	MCV-17MPX-**-N01	Black PVC AWM 17 X 18 AWG 150V, 5A -40°C to +90°C 13.6mm OD	PVC ITC-ER/PLTC-ER	Black Numbered Wires #1-16 Green/Yellow #17	<p>M23 x 1</p>																
	MCV-17MPX-**-C010	Black PVC AWM 17 X 18 AWG 150V, 5A -40°C to +90°C 12.1mm OD	PVC ITC-ER/PLTC-ER	<table border="0"> <tr> <td>1. White</td> <td>10. Violet</td> </tr> <tr> <td>2. Brown</td> <td>11. Gray/Pink</td> </tr> <tr> <td>3. Green</td> <td>12. Red/Blue</td> </tr> <tr> <td>4. Yellow</td> <td>13. White/Green</td> </tr> <tr> <td>5. Gray</td> <td>14. Brown/Green</td> </tr> <tr> <td>6. Pink</td> <td>15. White/Yellow</td> </tr> <tr> <td>7. Blue</td> <td>16. Yellow/Brown</td> </tr> <tr> <td>8. Red</td> <td>17. White/Gray</td> </tr> <tr> <td>9. Black</td> <td></td> </tr> </table>		1. White	10. Violet	2. Brown	11. Gray/Pink	3. Green	12. Red/Blue	4. Yellow	13. White/Green	5. Gray	14. Brown/Green	6. Pink	15. White/Yellow	7. Blue	16. Yellow/Brown	8. Red	17. White/Gray
1. White	10. Violet																				
2. Brown	11. Gray/Pink																				
3. Green	12. Red/Blue																				
4. Yellow	13. White/Green																				
5. Gray	14. Brown/Green																				
6. Pink	15. White/Yellow																				
7. Blue	16. Yellow/Brown																				
8. Red	17. White/Gray																				
9. Black																					

** Lengths in meters. Standard cable lengths are 1, 2, 4, 5, 6, 10 & 15 meters. Consult factory for other lengths.
Standard coupling nut is nickel plated brass. Stainless steel coupling nut is available only for female threads.
For stainless steel coupling nut add a “SS” suffix. (e.g. MCV-16MPX-1M-N01 becomes MCV-16MPX-1M-N01-SS)

Fixed Male Thread Option

For male threaded coupling replace “MPX” with “MPMX”.
(e.g. MCV-16MPX-1M-N01 becomes MCV-16MPMX-1M-N01)





MCV (M23) Series Cordsets

16 & 17 Conductor M23 Series Cordsets, 18AWG



Straight Female Cordsets | 150 Volt, 5 amps | IP67 Rating



16 Pole																					
Connector Body Style	Part Number	Cables	Features	Color Code	Faceview																
	MCV-16FPX-**-N01	Black PVC AWM 16 X 18 AWG 150V, 5A -40°C to +90°C 13.6mm OD	PVC ITC-ER/PLTC-ER	Black Numbered Wires #1-15 Green/Yellow #16	<p>M23 x 1</p>																
	MCV-16FPX-**-C010	Black PVC AWM 16 X 18 AWG 150V, 5A -40°C to +90°C 12.1mm OD	PVC ITC-ER/PLTC-ER	<table border="0"> <tr> <td>1. White</td> <td>9. Black</td> </tr> <tr> <td>2. Brown</td> <td>10. Violet</td> </tr> <tr> <td>3. Green</td> <td>11. Gray/Pink</td> </tr> <tr> <td>4. Yellow</td> <td>12. Red/Blue</td> </tr> <tr> <td>5. Gray</td> <td>13. White/Green</td> </tr> <tr> <td>6. Pink</td> <td>14. Brown/Green</td> </tr> <tr> <td>7. Blue</td> <td>15. White/Yellow</td> </tr> <tr> <td>8. Red</td> <td>16. Yellow/Brown</td> </tr> </table>		1. White	9. Black	2. Brown	10. Violet	3. Green	11. Gray/Pink	4. Yellow	12. Red/Blue	5. Gray	13. White/Green	6. Pink	14. Brown/Green	7. Blue	15. White/Yellow	8. Red	16. Yellow/Brown
1. White	9. Black																				
2. Brown	10. Violet																				
3. Green	11. Gray/Pink																				
4. Yellow	12. Red/Blue																				
5. Gray	13. White/Green																				
6. Pink	14. Brown/Green																				
7. Blue	15. White/Yellow																				
8. Red	16. Yellow/Brown																				
17 Pole																					
	MCV-17FPX-**-N01	Black PVC AWM 17 X 18 AWG 150V, 5A -40°C to +90°C 13.6mm OD	PVC ITC-ER/PLTC-ER	Black Numbered Wires #1-16 Green/Yellow #17	<p>M23 x 1</p>																
	MCV-17FPX-**-C010	Black PVC AWM 17 X 18 AWG 150V, 5A -40°C to +90°C 12.1mm OD	PVC ITC-ER/PLTC-ER	<table border="0"> <tr> <td>1. White</td> <td>10. Violet</td> </tr> <tr> <td>2. Brown</td> <td>11. Gray/Pink</td> </tr> <tr> <td>3. Green</td> <td>12. Red/Blue</td> </tr> <tr> <td>4. Yellow</td> <td>13. White/Green</td> </tr> <tr> <td>5. Gray</td> <td>14. Brown/Green</td> </tr> <tr> <td>6. Pink</td> <td>15. White/Yellow</td> </tr> <tr> <td>7. Blue</td> <td>16. Yellow/Brown</td> </tr> <tr> <td>8. Red</td> <td>17. White/Gray</td> </tr> <tr> <td>9. Black</td> <td></td> </tr> </table>		1. White	10. Violet	2. Brown	11. Gray/Pink	3. Green	12. Red/Blue	4. Yellow	13. White/Green	5. Gray	14. Brown/Green	6. Pink	15. White/Yellow	7. Blue	16. Yellow/Brown	8. Red	17. White/Gray
1. White	10. Violet																				
2. Brown	11. Gray/Pink																				
3. Green	12. Red/Blue																				
4. Yellow	13. White/Green																				
5. Gray	14. Brown/Green																				
6. Pink	15. White/Yellow																				
7. Blue	16. Yellow/Brown																				
8. Red	17. White/Gray																				
9. Black																					

E
M23 Series

** Lengths in meters. Standard cable lengths are 1, 2, 4, 5, 6, 10 & 15 meters. Consult factory for other lengths.

Standard coupling nut is nickel plated brass, for stainless steel coupling nut add a "-SS" suffix. (e.g. MCV-16FPX-1M-N01 becomes MCV-16FPX-1M-N01-SS)



MCV (M23) Series Cordsets

19 Conductor M23 Series Cordsets, 18/22AWG



Straight Male Cordsets | 150 Volt, 5 amps | 150 Volt, 10 & 1 amps | IP67 Rating



E
M23 Series

18 AWG					
Connector Body Style	Part Number	Cables	Features	Color Code	Faceview
	MCV-19MPX-**-C010	Black PVC AWM 19 X 18 AWG 150V, 5A -40°C to +90°C 13.6mm OD	PVC ITC-ER/PLTC-ER	1. Violet 2. Red 3. Gray 4. Red/Blue 5. Green 6. Blue 7. Gray/Pink 8. White/Green 9. White/Yellow 10. White/Gray 11. Black 12. Green/Yellow 13. Yellow/Brown 14. Brown/Green 15. White 16. Yellow 17. Pink 18. Gray/Brown 19. Brown	 M23 x 1
18/22 AWG					
	MCVP-19MP-**-	Black PUR AWM With Foil Shield 3 X 18 AWG 150V, 10A 16 X 22 AWG 150V, 1A -40°C to +80°C 9.9mm OD	Oil and Cutting Fluid Resistant Cut Resistant PUR Foil Shield	1. Violet 2. Red 3. Gray 4. Red/Blue 5. Green 6. Blue*** 7. Gray/Pink 8. White/Green 9. White/Yellow 10. White/Gray 11. Black 12. Green/Yellow*** 13. Yellow/Brown 14. Brown/Green 15. White 16. Yellow 17. Pink 18. Gray/Brown 19. Brown***	 M23 x 1
	MCVWF-19MP-**-	Black TPE AWM 3 X 18 AWG 150V, 10A 16 X 22 AWG 150V, 1A -40°C to +80°C 9.4mm OD	Continuous-Flex (10 MM Cycle) Weld Slag Resistant TPE		

** Lengths in meters. Standard cable lengths are 1, 2, 4, 5, 6, 10 & 15 meters. Consult factory for other lengths.

*** Brown, Blue and Green/Yellow are 18AWG

Standard coupling nut is nickel plated brass. Stainless steel coupling nut is available only for female threads.

For stainless steel coupling nut add a "-SS" suffix. (e.g. MCVP-19MP-1M becomes MCVP-19MP-1M-SS)

Fixed Male Thread Option

For male threaded coupling replace "MP/MPX" with "MPM/MPMX".

(e.g. MCVP-19MP-1M becomes MCVP-19MPM-1M)





MCV (M23) Series Cordsets

19 Conductor M23 Series Cordsets, 18AWG



Straight Female Cordsets | 150 Volt, 5 amps | 150 Volt, 10 & 1 amps | IP67 Rating



18 AWG					
Connector Body Style	Part Number	Cables	Features	Color Code	Faceview
	MCV-19FPX-**-C010	Black PVC AWM 19 X 18 AWG 150V, 5A -40°C to +90°C 13.6mm OD	PVC ITC-ER/PLTC-ER	1. Violet 2. Red 3. Gray 4. Red/Blue 5. Green 6. Blue 7. Gray/Pink 8. White/Green 9. White/Yellow 10. White/Gray 11. Black 12. Green/Yellow 13. Yellow/Brown 14. Brown/Green 15. White 16. Yellow 17. Pink 18. Gray/Brown 19. Brown	 M23 x 1
18/22 AWG					
	MCVP-19FP-**	Black PUR AWM With Foil Shield 3 X 18 AWG 150V, 10A 16 X 22 AWG 150V, 1A -40°C to +80°C 9.9mm OD	Oil and Cutting Fluid Resistant Cut Resistant PUR Foil Shield	1. Violet 2. Red 3. Gray 4. Red/Blue 5. Green 6. Blue*** 7. Gray/Pink 8. White/Green 9. White/Yellow 10. White/Gray 11. Black 12. Green/Yellow*** 13. Yellow/Brown 14. Brown/Green 15. White 16. Yellow 17. Pink 18. Gray/Brown 19. Brown***	 M23 x 1
	MCVWF-19FP-**	Black TPE AWM 3 X 18 AWG 150V, 10A 16 X 22 AWG 150V, 1A -40°C to +80°C 9.4mm OD	Continuous-Flex (10 MM Cycle) Weld Slag Resistant TPE		

E
M23 Series

** Lengths in meters. Standard cable lengths are 1, 2, 4, 5, 6, 10 & 15 meters. Consult factory for other lengths.

*** Brown, Blue and Green/Yellow are 18AWG

Standard coupling nut is nickel plated brass, for stainless steel coupling nut add a "SS" suffix. (e.g. MCVP-19FP-1M becomes MCVP-19FP-1M-SS)



MCV (M23) Series Cordsets

12 Conductor M23 Series Cordsets, 18/22AWG



Right Angle Male Cordsets | 300 Volt, 6 amps | 300 Volt, 6 & 2 amps | IP67 Rating



E
M23 Series

18 AWG					
Connector Body Style	Part Number	Cables	Features	Color Code	Faceview
	MCVW-12MPX-**-R-N01	Black TPE AWM 12 X 18 AWG 300V, 6A -40°C to +105°C 9.9mm OD	Weld Slag Resistant TPE	Black Numbered Wires #1-11 Green/Yellow #12	 M23 x 1
18/22 AWG					
	MCVP-12MP-**-R	Black PUR AWM With Foil Shield 3 X 18 AWG 300V, 6A 9 X 22 AWG 300V, 2A -40°C to +80°C 8.1mm OD	Female Connector Oil and Cutting Fluid Resistant Cut Resistant PUR	1. Brown*** 2. Brown/White 3. Blue*** 4. White 5. Green 6. Yellow 7. Gray 8. Pink 9. Red 10. Black 11. Violet 12. Green/Yellow***	 M23 x 1
	MCVW-12MP-**-R	Black TPE AWM With Foil Shield 3 X 18 AWG 300V, 6A 9 X 22 AWG 300V, 2A -40°C to +80°C 8.1mm OD	Weld Slag Resistant TPE Foil Shield		

** Lengths in meters. Standard cable lengths are 1, 2, 4, 5, 6, 10 & 15 meters. Consult factory for other lengths.

*** Brown, Blue and Green/Yellow are 18AWG

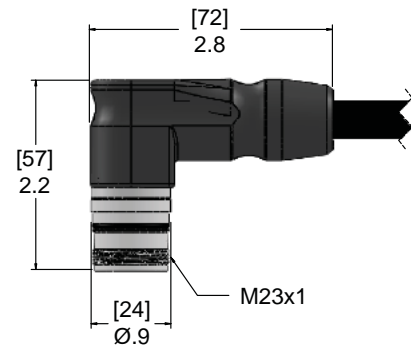
Standard coupling nut is nickel plated brass. Stainless steel coupling nut is available only for female threads.

For stainless steel coupling nut add a "-SS" suffix. (e.g. MCVP-12MP-1M-R becomes MCVP-12MP-1M-R-SS)

Fixed Male Thread Option

For male threaded coupling replace "MP/MPX" with "MPM/MPMX".

(e.g. MCVP-12MP-1M becomes MCVP-12MPM-1M)





MCV (M23) Series Cordsets

12 Conductor M23 Series Cordsets, 18/22AWG



Right Angle Female Cordsets | 300 Volt, 6 amps | 300 Volt, 6 & 2 amps | IP67 Rating



18 AWG					
Connector Body Style	Part Number	Cables	Features	Color Code	Faceview
	MCVW-12FPX-**-R-N01	Black TPE AWM 12 X 18 AWG 300V, 6A -40°C to +105°C 9.9mm OD	Weld Slag Resistant TPE	Black Numbered Wires #1-11 Green/Yellow #12	 M23 x 1
18/22 AWG					
	MCVP-12FP-**-R	Black PUR AWM With Foil Shield 3 X 18 AWG 300V, 6A 9 X 22 AWG 300V, 2A -40°C to +80°C 8.1mm OD	Male Connector Oil and Cutting Fluid Resistant Cut Resistant PUR	1. Brown*** 2. Brown/White 3. Blue*** 4. White 5. Green 6. Yellow 7. Gray 8. Pink 9. Red 10. Black 11. Violet 12. Green/Yellow***	 M23 x 1
	MCVW-12FP-**-R	Black TPE AWM With Foil Shield 3 X 18 AWG 300V, 6A 9 X 22 AWG 300V, 2A -40°C to +80°C 8.1mm OD	Weld Slag Resistant TPE Foil Shield		

E
M23 Series

** Lengths in meters. Standard cable lengths are 1, 2, 4, 5, 6, 10 & 15 meters. Consult factory for other lengths.

*** Brown, Blue and Green/Yellow are 18AWG

Standard coupling nut is nickel plated brass.

For stainless steel coupling nut add a "-SS" suffix. (e.g. MCVP-12FP-1M-R becomes MCVP-12FP-1M-R-SS)



MCV (M23) Series Cordsets

16 & 17 Conductor M23 Series Cordsets, 18AWG



Right Angle Male Cordsets | 150 Volt, 5 amps | IP67 Rating



E
M23 Series

16 Pole																					
Connector Body Style	Part Number	Cables	Features	Color Code	Faceview																
	MCV-16MPX-**-R-N01	Black PVC AWM 16 X 18 AWG 150V, 5A -40°C to +90°C 13.6mm OD	PVC ITC-ER/PLTC-ER	Black Numbered Wires #1-15 Green/Yellow #16	<p>M23 x 1</p>																
	MCV-16MPX-**-R-C010	Black PVC AWM 16 X 18 AWG 150V, 5A -40°C to +90°C 13.6mm OD	PVC ITC-ER/PLTC-ER	<table border="0"> <tr> <td>1. White</td> <td>9. Black</td> </tr> <tr> <td>2. Brown</td> <td>10. Violet</td> </tr> <tr> <td>3. Green</td> <td>11. Gray/Pink</td> </tr> <tr> <td>4. Yellow</td> <td>12. Red/Blue</td> </tr> <tr> <td>5. Gray</td> <td>13. White/Green</td> </tr> <tr> <td>6. Pink</td> <td>14. Brown/Green</td> </tr> <tr> <td>7. Blue</td> <td>15. White/Yellow</td> </tr> <tr> <td>8. Red</td> <td>16. Yellow/Brown</td> </tr> </table>		1. White	9. Black	2. Brown	10. Violet	3. Green	11. Gray/Pink	4. Yellow	12. Red/Blue	5. Gray	13. White/Green	6. Pink	14. Brown/Green	7. Blue	15. White/Yellow	8. Red	16. Yellow/Brown
1. White	9. Black																				
2. Brown	10. Violet																				
3. Green	11. Gray/Pink																				
4. Yellow	12. Red/Blue																				
5. Gray	13. White/Green																				
6. Pink	14. Brown/Green																				
7. Blue	15. White/Yellow																				
8. Red	16. Yellow/Brown																				
17 Pole																					
	MCV-17MPX-**-R-N01	Black PVC AWM 17 X 18 AWG 150V, 5A -40°C to +90°C 13.6mm OD	PVC ITC-ER/PLTC-ER	Black Numbered Wires #1-16 Green/Yellow #17	<p>M23 x 1</p>																
	MCV-17MPX-**-R-C010	Black PVC AWM 17 X 18 AWG 150V, 5A -40°C to +90°C 13.6mm OD	PVC ITC-ER/PLTC-ER	<table border="0"> <tr> <td>1. White</td> <td>10. Violet</td> </tr> <tr> <td>2. Brown</td> <td>11. Gray/Pink</td> </tr> <tr> <td>3. Green</td> <td>12. Red/Blue</td> </tr> <tr> <td>4. Yellow</td> <td>13. White/Green</td> </tr> <tr> <td>5. Gray</td> <td>14. Brown/Green</td> </tr> <tr> <td>6. Pink</td> <td>15. White/Yellow</td> </tr> <tr> <td>7. Blue</td> <td>16. Yellow/Brown</td> </tr> <tr> <td>8. Red</td> <td>17. White/Gray</td> </tr> <tr> <td>9. Black</td> <td></td> </tr> </table>		1. White	10. Violet	2. Brown	11. Gray/Pink	3. Green	12. Red/Blue	4. Yellow	13. White/Green	5. Gray	14. Brown/Green	6. Pink	15. White/Yellow	7. Blue	16. Yellow/Brown	8. Red	17. White/Gray
1. White	10. Violet																				
2. Brown	11. Gray/Pink																				
3. Green	12. Red/Blue																				
4. Yellow	13. White/Green																				
5. Gray	14. Brown/Green																				
6. Pink	15. White/Yellow																				
7. Blue	16. Yellow/Brown																				
8. Red	17. White/Gray																				
9. Black																					

** Lengths in meters. Standard cable lengths are 1, 2, 4, 5, 6, 10 & 15 meters. Consult factory for other lengths.

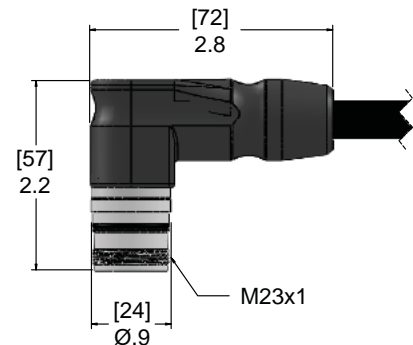
Standard coupling nut is nickel plated brass. Stainless steel coupling nut is available only for female threads.

For stainless steel coupling nut add a "-SS" suffix. (e.g. MCV-17MPX-1M-R-N01 becomes MCV-17MPX-1M-R-N01-SS)

Fixed Male Thread Option

For male threaded coupling replace "MPX" with "MPMX".

(e.g. MCV-16MPX-1M-R-N01 becomes MCV-16MPMX-1M-R-N01)





MCV (M23) Series Cordsets

16 & 17 Conductor M23 Series Cordsets, 18AWG



Right Angle Female Cordsets | 150 Volt, 5 amps | IP67 Rating



16 Pole					
Connector Body Style	Part Number	Cables	Features	Color Code	Faceview
	MCV-16FPX-**-R-N01	Black PVC AWM 16 X 18 AWG 150V, 5A -40°C to +90°C 13.6mm OD	PVC ITC-ER/PLTC-ER	Black Numbered Wires #1-15 Green/Yellow #16	<p>M23 x 1</p>
	MCV-16FPX-**-R-C010	Black PVC AWM 16 X 18 AWG 150V, 5A -40°C to +90°C 13.6mm OD	PVC ITC-ER/PLTC-ER	1. White 9. Black 2. Brown 10. Violet 3. Green 11. Gray/Pink 4. Yellow 12. Red/Blue 5. Gray 13. White/Green 6. Pink 14. Brown/Green 7. Blue 15. White/Yellow 8. Red 16. Yellow/Brown	
17 Pole					
	MCV-17FPX-**-R-N01	Black PVC AWM 17 X 18 AWG 150V, 5A -40°C to +90°C 13.6mm OD	PVC ITC-ER/PLTC-ER	Black Numbered Wires #1-16 Green/Yellow #17	<p>M23 x 1</p>
	MCV-17FPX-**-R-C010	Black PVC AWM 17 X 18 AWG 150V, 5A -40°C to +90°C 13.6mm OD	PVC ITC-ER/PLTC-ER	1. White 10. Violet 2. Brown 11. Gray/Pink 3. Green 12. Red/Blue 4. Yellow 13. White/Green 5. Gray 14. Brown/Green 6. Pink 15. White/Yellow 7. Blue 16. Yellow/Brown 8. Red 17. White/Gray 9. Black	

E
M23 Series

** Lengths in meters. Standard cable lengths are 1, 2, 4, 5, 6, 10 & 15 meters. Consult factory for other lengths.

Standard coupling nut is nickel plated brass.

For stainless steel coupling nut add a "SS" suffix. (e.g. MCV-17FPX-1M-R-N01 becomes MCV-17FPX-1M-R-N01-SS)



MCV (M23) Series Cordsets

19 Conductor M23 Series Cordsets, 18/22AWG



Right Angle Male Cordsets | 150 Volt, 5 amps | 150 Volt, 10 & 1 amps | IP67 Rating



E
M23 Series

18 AWG					
Connector Body Style	Part Number	Cables	Features	Color Code	Faceview
	MCV-19MPX-**-R-C010	Black PVC AWM 19 X 18 AWG 150V, 5A -40°C to +90°C 13.6mm OD	PVC ITC-ER/PLTC-ER	1. Violet 2. Red 3. Gray 4. Red/Blue 5. Green 6. Blue 7. Gray/Pink 8. White/Green 9. White/Yellow 10. White/Gray 11. Black 12. Green/Yellow 13. Yellow/Brown 14. Brown/Green 15. White 16. Yellow 17. Pink 18. Gray/Brown 19. Brown	<p>M23 x 1</p>
18/22 AWG					
	MCVP-19MP-**-R	Black PUR AWM With Foil Shield 3 X 18 AWG 150V, 10A 16 X 22 AWG 150V, 1A -40°C to +80°C 9.9mm OD	Oil and Cutting Fluid Resistant Cut Resistant PUR Foil Shield	1. Violet 2. Red 3. Gray 4. Red/Blue 5. Green 6. Blue*** 7. Gray/Pink 8. White/Green 9. White/Yellow 10. White/Gray 11. Black 12. Green/Yellow*** 13. Yellow/Brown 14. Brown/Green 15. White 16. Yellow 17. Pink 18. Gray/Brown 19. Brown***	<p>M23 x 1</p>
	MCVWF-19MP-**-R	Black TPE AWM 3 X 18 AWG 150V, 10A 16 X 22 AWG 150V, 1A -40°C to +80°C 9.4mm OD	Continuous-Flex (10 MM Cycle) Weld Slag Resistant TPE		

** Lengths in meters. Standard cable lengths are 1, 2, 4, 5, 6, 10 & 15 meters. Consult factory for other lengths.

*** Brown, Blue and Green/Yellow are 18AWG

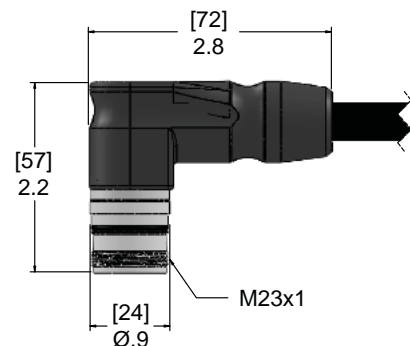
Standard coupling nut is nickel plated brass. Stainless steel coupling nut is available only for female threads.

For stainless steel coupling nut add a "SS" suffix. (e.g. MCVP-19MP-1M-R becomes MCVP-19MP-1M-R-SS)

Fixed Male Thread Option

For male threaded coupling replace "MP/MPX" with "MPM/MPMX".

(e.g. MCVP-19MP-1M-R becomes MCVP-19MPM-1M-R)





MCV (M23) Series Cordsets

17 & 19 Conductor M23 Series Cordsets, 18AWG



Right Angle Female Cordsets | 150 Volt, 5 amps | 150 Volt, 10 & 1 amps | IP67 Rating



18 AWG					
Connector Body Style	Part Number	Cables	Features	Color Code	Faceview
	MCV-19FPX**-R-C010	Black PVC AWM 19 X 18 AWG 150V, 5A -40°C to +90°C 13.6mm OD	PVC ITC-ER/PLTC-ER	1. Violet 2. Red 3. Gray 4. Red/Blue 5. Green 6. Blue 7. Gray/Pink 8. White/Green 9. White/Yellow 10. White/Gray 11. Black 12. Green/Yellow 13. Yellow/Brown 14. Brown/Green 15. White 16. Yellow 17. Pink 18. Gray/Brown 19. Brown	 M23 x 1
	18/22 AWG				
	MCVP-19FP**-R	Black PUR AWM With Foil Shield 3 X 18 AWG 150V, 10A 16 X 22 AWG 150V, 1A -40°C to +80°C 9.9mm OD	Oil and Cutting Fluid Resistant Cut Resistant PUR Foil Shield	1. Violet 2. Red 3. Gray 4. Red/Blue 5. Green 6. Blue*** 7. Gray/Pink 8. White/Green 9. White/Yellow 10. White/Gray 11. Black 12. Green/Yellow*** 13. Yellow/Brown 14. Brown/Green 15. White 16. Yellow 17. Pink 18. Gray/Brown 19. Brown***	 M23 x 1
	MCVWF-19FP**-R	Black TPE AWM 3 X 18 AWG 150V, 10A 16 X 22 AWG 150V, 1A -40°C to +80°C 9.4mm OD	Continuous-Flex (10 MM Cycle) Weld Slag Resistant TPE		

E
M23 Series

** Lengths in meters. Standard cable lengths are 1, 2, 4, 5, 6, 10 & 15 meters. Consult factory for other lengths.

*** Brown, Blue and Green/Yellow are 18AWG

Standard coupling nut is nickel plated brass.

For stainless steel coupling nut add a "SS" suffix. (e.g. MCVP-19FP-1M-R becomes MCVP-19FP-1M-R-SS)



MCV (M23) Series Cordsets

12 Conductor M23 Series Cordsets 18/22AWG



Double Ended Cordsets | 300 Volt, 6 amps, 2 & 6 amps | IP67 Rating



E
M23 Series

Male Faceview	Part Number	Figure	Cables	Features	Color Code	Female Faceview
<p>M23 x 1</p>	MCVP-12MFP-**	A to D	Black PUR AWM 3 X 18 AWG 300V, 6A 9 X 22 AWG 300V, 2A -40°C to +80°C 8.1mm OD	Oil and Cutting Fluid Resistant Cut Resistant PUR	1. Brown*** 2. Brown/White 3. Blue*** 4. White 5. Green 6. Yellow 7. Gray 8. Pink 9. Red 10. Black 11. Violet 12. Green/Yellow***	<p>M23 x 1</p>
	MCVP-12MMFP-**	C to D				
	MCVP-12MFRP-**	A to E				
	MCVP-12MRFP-**	B to D				
	MCVP-12MFP-**-R	B to E				
<p>M23 x 1</p>	MCVW-12MFPX-**	A to D	Black TPE AWM With Foil Shield 12 X 18 AWG 300V, 6A -40°C to +90°C 8.1mm OD	Weld Slag Resistant TPE Foil Shield	Black Numbered Wires #1-11 Green/Yellow #12	<p>M23 x 1</p>
	MCVW-12MMFPX-**	C to D				

** Lengths in meters. Standard cable lengths are 1, 2, 4, 5, 6, 10 & 15 . Consult factory for other lengths.

*** Brown, Blue and Green/Yellow are 18AWG

Standard coupling nut is nickel plated brass. Stainless steel coupling nut is available only for female threads.

For stainless steel coupling nut add a “-SS” suffix. (e.g. MCVP-12MFP-1M becomes MCVP-12MFP-1M-SS)

Figure A



Male (Female Threads) Plug

Figure B



Male (Female Threads) Plug

Figure C



Male (Male Threads) Plug

Figure D



Female (Female Threads) Plug

Figure E



Female (Female Threads) Plug



MCV (M23) Series Cordsets

16 Conductor M23 Series Cordsets, 18AWG



Double Ended Cordsets | 150 Volt, 5 amps | IP67 Rating



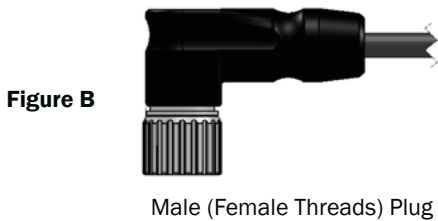
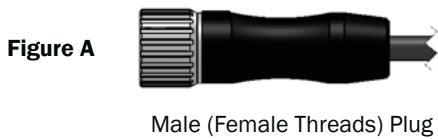
Male Faceview	Part Number	Figure	Cables	Features	Color Code	Female Faceview
<p>M23 x 1</p>	MCV-16MFPX-**-C010	A to D	Black PVC AWM 16 X 18 AWG 150V, 5A -40°C to +90°C 12.1mm OD	PVC ITC-ER/PLTC-ER	1. White 2. Brown 3. Green 4. Yellow 5. Gray 6. Pink 7. Blue 8. Red 9. Black 10. Violet 11. Gray/Pink 12. Red/Blue 13. White/Green 14. Brown/Green 15. White/Yellow 16. Yellow/Brown	<p>M23 x 1</p>
	MCV-16MMFPX-**-C010	C to D				
	MCV-16MFRPX-**-C010	A to E				
	MCV-16MRFPX-**-C010	B to D				
	MCV-16MFPX-**-R-C010	B to E				

E
M23 Series

** Lengths in meters. Standard cable lengths are 1, 2, 4, 5, 6, 10 & 15 meters. Consult factory for other lengths.

Standard coupling nut is nickel plated brass.. Stainless steel coupling nut is available only for female threads.

For stainless steel coupling nut add a "-SS" suffix. (e.g. MCV-16MFPX-1M-C010 becomes MCV-16MFPX-1M-C010)





MCV (M23) Series Cordsets

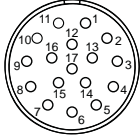
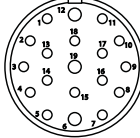
17 Conductor M23 Series Cordsets, 18AWG



Double Ended Cordsets | 150 Volt, 5 amps | IP67 Rating



E
M23 Series

Male Faceview	Part Number	Figure	Cables	Features	Color Code	Female Faceview
 <p>M23 x 1</p>	MCV-17MFPX-**-C010	A to D	Black PVC AWM 17 X 18 AWG 150V, 5A -40°C to +90°C 12.1mm OD	PVC ITC-ER/PLTC-ER	1. White 2. Brown 3. Green 4. Yellow 5. Gray 6. Pink 7. Blue 8. Red 9. Black 10. Violet 11. Gray/Pink 12. Red/Blue 13. White/Green 14. Brown/Green 15. White/Yellow 16. Yellow/Brown 17. White/Gray	 <p>M23 x 1</p>
	MCV-17MMFPX-**-C010	C to D				
	MCV-17MFRPX-**-C010	A to E				
	MCV-17MRFPX-**-C010	B to D				
	MCV-17MFPX-**-R-C010	B to E				

** Lengths in meters. Standard cable lengths are 1, 2, 4, 5, 6, 10 & 15 meters. Consult factory for other lengths.

Standard coupling nut is nickel plated brass. Stainless steel coupling nut is available only for female threads.

For stainless steel coupling nut add a "SS" suffix. (e.g. MCV-17MFPX-1M-C010 becomes MCV-17MFPX-1M-C010SS)

Figure A



Male (Female Threads) Plug



Figure D

Female (Female Threads) Plug

Figure B



Male (Female Threads) Plug



Figure E

Female (Female Threads) Plug

Figure C



Male (Male Threads) Plug



MCV (M23) Series Cordsets

19 Conductor M23 Series Cordsets, 18/22AWG



Double Ended Cordsets | 150 Volt, 5 amps, 1 & 10 amps | IP67 Rating



Male Faceview	Part Number	Figure	Cables	Features	Color Code	Female Faceview
 M23 x 1	MCV-19MFPX**-C010	A to D	Black PVC AWM 19 X 18 AWG 150V, 5A -40°C to +90°C 13.6mm OD	PVC ITC-ER/PLTC-ER	1. Violet 2. Red 3. Gray 4. Red/Blue 5. Green 6. Blue 7. Gray/Pink 8. White/Green 9. White/Yellow 10. White/Gray 11. Black 12. Green/Yellow 13. Yellow/Brown 14. Brown/Green 15. White 16. Yellow 17. Pink 18. Gray/Brown 19. Brown	 M23 x 1
	MCV-19MMFPX**-C010	C to D				
 M23 x 1	MCVP-19MFP**	A to D	Black PUR AWM With Foil Shield 3 X 18 AWG 150V, 10A 16 X 22 AWG 150V, 1A -40°C to +80°C 9.9mm OD	Oil and Cutting Fluid Resistant Cut Resistant PUR Foil Shield	1. Violet 2. Red 3. Gray 4. Red/Blue 5. Green 6. Blue*** 7. Gray/Pink 8. White/Green 9. White/Yellow 10. White/Gray 11. Black 12. Green/Yellow*** 13. Yellow/Brown 14. Brown/Green 15. White 16. Yellow 17. Pink 18. Gray/Brown 19. Brown***	 M23 x 1
	MCVP-19MMFP**	C to D				
	MCVP-19MFRP**	A to E				
	MCVP-19MRFP**	B to D				
	MCVP-19MFP**-R	B to E				
 M23 x 1	MCVWF-19MFP**	A to D	Black TPE AWM 3 X 18 AWG 150V, 10A 16 X 22 AWG 150V, 1A -40°C to +80°C 9.4mm OD	Continuous-Flex (10 MM Cycle) Weld Slag Resistant TPE	1. Violet 2. Red 3. Gray 4. Red/Blue 5. Green 6. Blue*** 7. Gray/Pink 8. White/Green 9. White/Yellow 10. White/Gray 11. Black 12. Green/Yellow*** 13. Yellow/Brown 14. Brown/Green 15. White 16. Yellow 17. Pink 18. Gray/Brown 19. Brown***	 M23 x 1
	MCVWF-19MMFP**	C to D				
	MCVWF-19MFRP**	A to E				
	MCVWF-19MRFP**	B to D				
	MCVWF-19MFP**-R	B to E				

E
M23 Series

** Lengths in meters. Standard cable lengths are 1, 2, 4, 5, 6, 10 & 15 meters. Consult factory for other lengths.

*** Brown, Blue and Green/Yellow are 18AWG

Standard coupling nut is nickel plated brass., Stainless steel coupling nut is available only for female threads.

For stainless steel coupling nut add a "-SS" suffix. (e.g. MCVP-19MFP-1M becomes MCVP-19MFP-1M-SS)



Figure A

Male (Female Threads) Plug



Figure B

Male (Female Threads) Plug



Figure C

Male (Male Threads) Plug



Figure D

Female (Female Threads) Plug



Figure E

Female (Female Threads) Plug



MCV (M23) Series Field Wireable Plugs

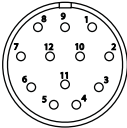
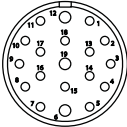
12 & 19 Conductor M23 Series Field Wireable Plugs, 18-24AWG



Male Field Wireable Plugs | Solder Cups/Crimp Pins | 300/150V, 8A Max | IP67 Rating



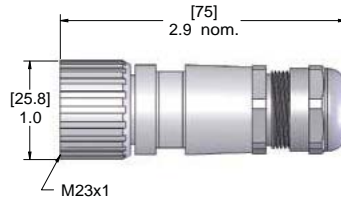
E
M23 Series

# of Poles	Male Faceview	Rating	Wire AWG	Cable O.D. Range	Contact Type	Part Number	
						Female Threads	Male Threads
12	 M23 x 1	300V 8A MAX	18-24 AWG	5-13 mm	Solder Cup	MCV-12MP-FW-SC	MCV-12MPM-FW-SC
					Crimp Pin	MCV-12MP-FW-CC	MCV-12MPM-FW-CC
19	 M23 x 1	150V 8A MAX	18-24 AWG	5-13 mm	Solder Cup	MCV-19MP-FW-SC	MCV-19MPM-FW-SC
					Crimp Pin	MCV-19MP-FW-CC	MCV-19MPM-FW-CC

Connection via solder cup terminal or crimp pin. Voltage and amperage ratings are cable dependent and are based on 600V 18 AWG cable. Cables with lower voltage ratings and smaller conductors will lower these ratings.

Specifications:






Body: Nickel Plated Brass
 Contacts: Copper Alloy with Gold Plating
 O-Ring: NBR
 Insert: PBT
 Connections: Crimp/Solder
 Temperature: -40°C to +105°C (-40°F to +221°F)



Male Plug with Female Threads



Male Plug with Male Threads

# of Poles	Crimp Pin	Wire AWG	Male Contacts		
			Stamped Reel	Stamped	Machined
12		18-20 AWG	DBMCP-CF-18	DBMCP-18	MCV-PIN-C-18
		22-24 AWG	DBMCP-CF	DBMCP	MCV-PIN-C
19		18 AWG	N/A	N/A	MCV-19MR-PIN
		20-24 AWG	N/A	N/A	MCV-19MR-PIN-20
		18 AWG Male Ground Pin	N/A	N/A	MCV-19MR-PIN-G

# of Poles	Removal Tool	Crimp Tools for Machined Pins		Assembly Tool for Female Threaded Connectors
		Locator Tool	Crimp Tool	
12	MCV12ES	MCTP-V12	CCPZ-MIL	MCV-001
19	MCV19ES	MCTP-V19		

Crimp Tool and Crimp Tool Locator are ordered separately. Locators fit into crimp tool and are necessary for proper crimping.



MCV (M23) Series Field Wireable Plugs

12 & 19 Conductor M23 Series Field Wireable Plugs, 18-24AWG



Female Field Wireable Plugs | Solder Cups/Crimp Pins | Tools | 300/150V, 8A Max | IP67 Rating



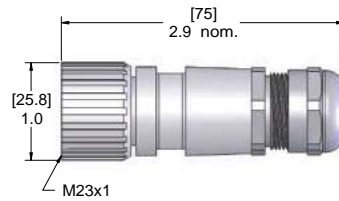
# of Poles	Female Faceview	Rating	Wire AWG	Cable O.D. Range	Contact Type	Part Number	
						Straight Plug	Right Angle Plug
12	 M23 x 1	300V 8A MAX	18-24 AWG	5-13 mm	Solder Cup	MCV-12FP-FW-SC	MCV-12FP-FW-R-SC
					Crimp Pin	MCV-12FP-FW-CC	MCV-12FP-FW-R-CC
19	 M23 x 1	150V 8A MAX	18-24 AWG	5-13 mm	Solder Cup	MCV-19FP-FW-SC	MCV-19FP-FW-R-SC
					Crimp Pin	MCV-19FP-FW-CC	MCV-19FP-FW-R-CC

E
M23 Series

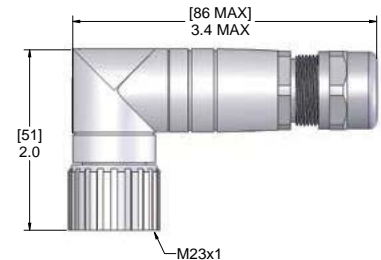
Connection via solder cup terminal or crimp pin. Voltage and amperage ratings are cable dependent and are based on 600V 18 AWG cable. Cables with lower voltage ratings and smaller conductors will lower these ratings.

Specifications:

- Body: Nickel Plated Brass
- Contacts: Copper Alloy with Gold Plating
- O-Ring: NBR
- Insert: PBT
- Connections: Crimp/Solder
- Temperature: -40°C to +105°C (-40°F to +221°F)



Straight Female Plug



Right Angle Female Plug

# of Poles	Crimp Pin	Wire AWG	Female Contacts		
			Stamped Reel	Stamped	Machined
12		18-20 AWG	DBFCP-CF-18	DBFCP-18	MCV-FM-C-18
		22-24 AWG	DBFCP-CF	DBFCP	MCV-FM-C
19		18 AWG	N/A	N/A	MCV-19FR-PIN
		20-24 AWG	N/A	N/A	MCV-19FR-PIN-20

# of Poles	Removal Tool	Crimp Tools for Machined Pins		Assembly Tool for Female Threaded Connectors
		Locator Tool	Crimp Tool	
12	MCV12ES	MCTP-V12	CCPZ-MIL	MCV-001
19	MCV19ES	MCTP-V19		

Crimp Tool and Crimp Tool Locator are ordered separately. Locators fit into crimp tool and are necessary for proper crimping.



MCV (M23) Series Field Wireable Plugs

6 & 7 Conductor M23 Series Field Wireable Plugs, 14-20AWG



Field Wireable Plugs | Crimp Pins | Tools | 250 Volt, 20 amps | IP67 Rating

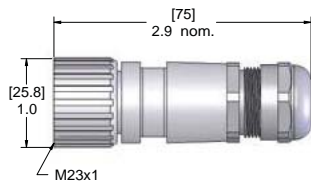


E
M23 Series

# of Poles	Male Faceview	Rating	Wire AWG	Cable O.D. Range	Male Plugs		Female Plugs
					Female Threads	Male Threads	
6	 M23 x 1	250V 20A Max	14-20 AWG	6-12 mm	MCV-6MP-FW-CC	MCV-6MPM-FW-CC	MCV-6FP-FW-CC
7	 M23 x 1	250V 20A Max	14-20 AWG	6-12 mm	MCV-7MP-FW-CC	MCV-7MPM-FW-CC	MCV-7FP-FW-CC

Connection via crimp pin. Voltage and amperage ratings are based on 300V 14 AWG wire and cable.

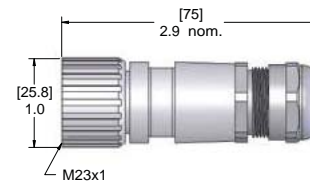
Cables with lower voltage ratings and smaller conductors will lower these ratings.



Male Plug with Female Threads



Male Plug with Male Threads



Female Plug with Female Threads

Specifications:

Body: Nickel Plated Brass

Contacts: Copper Alloy with Gold Plating

O-Ring: NBR

Insert: PBT

Connections: Crimp

Temperature: -40°C to +105°C (-40°F to +221°F)

# of Poles	Crimp Pin	Wire AWG	Male Contacts	Female Contacts
6&7	Female Contact	14-16 AWG	MCV-6MR-PIN-14	MCV-6FR-PIN-14
	Male Contact	18-20 AWG	MCV-6MR-PIN-18	MCV-6FR-PIN-18
	Male Contact	14-16 AWG Male Ground Pin	MCV-6MR-PIN-14-G	N/A

# of Poles	Removal Tool	Crimp Tool	Crimp Tool Locator	Assembly Tool for Female Threaded Connectors
6&7	MCV6ES	CCPZ-MIL	MCTP-V6	MCV-001

Crimp Tool and Crimp Tool Locator are ordered separately. Locators fit into crimp tool and are necessary for proper crimping.



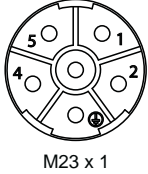
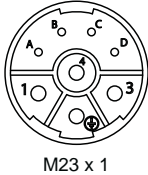
MCVH (M23) Series Field Wireable Plugs

6 & 8 Conductor M23 Series Field Wireable Plugs, 12-26AWG



Field Wireable Plugs | Crimp Pins | Tools | 630 Volt, 30 amps | IP67 Rating



# of Poles	Male Faceview	Rating	Wire AWG	Cable O.D. Range	Male Plugs	Female Plugs
6	 M23 x 1	630V 30A Max	12-26 AWG	7.5-18 mm	MCVH-6MPPM-FW-CC	MCVH-6FP-FW-CC
8	 M23 x 1	630V 30A Max	12-26 AWG	7.5-18 mm	MCVH-8MPPM-FW-CC	MCVH-8FP-FW-CC

E

M23 Series

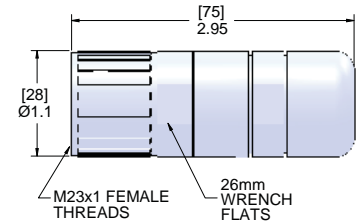
Connection is via crimp pins. Voltage and amperage ratings are cable dependent and are based on 600V 12 AWG cable. Cables with lower voltage ratings and smaller conductors will lower these ratings.

Specifications:



- Body: Nickel Plated Brass
- Contacts: Copper Alloy with Gold Plating
- O-Ring: FPM
- Coupling Nut: Nickel Plated Brass
- Insert: Polyamide
- Connections: Crimp
- Temperature: -40°C to +125°C (-40°F to +257°F)



Male Plug with Male Threads



Female Plug with Female Threads

# of Poles	Crimp Pin	Wire AWG	Male Contacts	Female Contacts
6&8* *Pins 1-4 for the 8 Pole	 Male Contact Female Contact	12 AWG	MCVH-MR-PIN-12	MCVH-FR-PIN-12
		14-16 AWG	MCVH-MR-PIN-16	MCVH-FR-PIN-16
		20-24 AWG	MCVH-MR-PIN-20	MCVH-FR-PIN-20
8 Pins A-D	 Male Contact Female Contact	18-22 AWG	MCVH-8MR-PIN-18	MCVH-8FR-PIN-18
		24-26 AWG	MCVH-8MR-PIN-24	MCVH-8FR-PIN-24

# of Poles	Crimp Tool	Crimp Tool Locator	Assembly Tool for Female Threaded Connectors
6&7	CCPZ-MIL	MCTP-VH6-8	MCV-001

Crimp Tool and Crimp Tool Locator are ordered separately. Locators fit into crimp tool and are necessary for proper crimping.



MCL (M16) Series Field Wireable Plugs

12 & 14 Conductor MCL Series Field Wireable Plugs, 24-28AWG

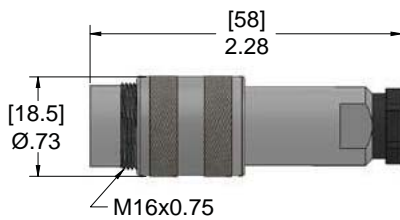


Field Wireable Plugs | Solder Cups | 60 Volt, 3 amps | IP67 Rating

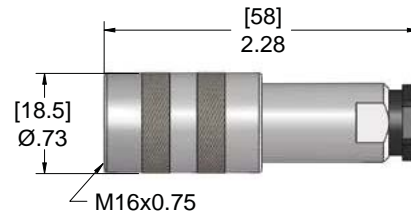


E
M16 Series

# of Poles	Male Faceview	Rating	Wire AWG	Cable O.D. Range	Part Number	
					Male Plug (Male Threads)	Female Plug (Female Threads)
12	<p>M16 x 0.75</p>	60V 3A	24-28 AWG	4-6 mm	MCL-12MP-FW07	MCL-12FP-FW07
				6-8 mm	MCL-12MP-FW09	MCL-12FP-FW09
14	<p>M16 x 0.75</p>	60V 3A	24-28 AWG	4-6 mm	MCL-14MP-FW07	MCL-14FP-FW07
				6-8 mm	MCL-14MP-FW09	MCL-14FP-FW09



Male Plug with Male Threads



Female Plug with Female Threads

Specifications:

- Body: Nickel Plated Brass
- Contacts: Copper Alloy with Gold Plating
- O-Ring: NBR
- Insert: PBT
- Termination: Solder Cup 24-28 AWG
- Temperature: -30°C to +95°C (-22°F to +203°F)



MCX (M27) Series Field Wireable Plugs

26 & 28 Conductor M27 Series Field Wireable Plugs, 18-26AWG



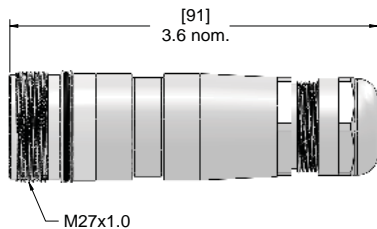
Field Wireable Plugs | Solder Cups | 150 Volt, 1.5 amps Max | IP67 Rating



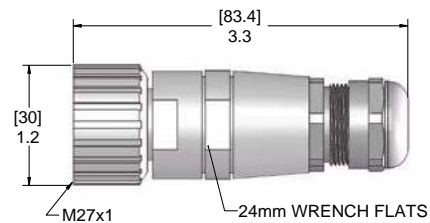
# of Poles	Male Faceview	Rating	Wire AWG	Cable O.D. Range	Part Number	
					Male Plugs (Male Threads)	Female Plug (Female Threads)
26	<p>M27 x 1</p>	150V 1.5A	18-26 AWG	10-14 mm	MCX-26MPM-FW-SC	MCX-26FP-FW-SC
28	<p>M27 x 1</p>	150V 1.5A	18-26 AWG	10-14 mm	MCX-28MPM-FW-SC	MCX-28FP-FW-SC

E
M27 Series

Connection is via solder cup terminal. Voltage and amperage ratings are cable dependent and are based on 150V 18 AWG wire. Wires with lower voltage ratings and smaller conductors will lower these ratings.



Male Plug with Male Threads



Female Plug with Female Threads

Specifications:

- Body: Nickel Plated Brass
- Contacts: Copper Alloy with Gold Plating
- O-Ring: FPM
- Coupling Nut: Nickel Plated Brass
- Insert: Polyamide
- Termination: Solder Cup 18-26 AWG
- Temperature: -40°C to +105°C (-40°F to +221°F)



MCV Series Accessories

MCV Series Accessories



Closure Caps | IP67 Rating

E

M23 Series

Metal Closure Caps				
Closure Style	Part Number	Material	Threads	Mounting Hole Size
	MCV-CAP-LY	Nickel Plated Brass	Female	0.19" (For Use on Cables)
	MCV-CAP-CBLY	Nickel Plated Brass	Female	1.3"
	MCV-CAP-NC	Nickel Plated Brass	Female	N/A






MCV, MCVH, MCX & MCL Series Accessories


MCV, MCVH, MCX & MCL Series Tools



Crimping Tool | Gage | Locators | Assembly Tool

Crimping Tool		
Body Style	Part Number	Description
	CCPZ-MIL	The CCPZ-MIL crimping tool conforms to the international standard MIL-C-22520/1. The crimping is performed with 8 pressure points. The tool is equipped with a ratcheting mechanism to insure a complete crimping cycle is performed every time. This tool must be equipped with one of the interchangeable locators according to the series of contacts that are to be crimped. The selector dial on the side of the tool to adjust the crimp depth according to the contact and wire size being crimped.
Go - No Go Gauge		
	CCPNP	<p>The indenting "teeth" on the crimp tool are subject to wear, so it is important to check the calibration of the tool at regular intervals. The CCPNP gauge is a Go - No Go Gauge that is used to make sure the tool is crimping properly.</p> <ol style="list-style-type: none"> To use the CCPNP, put the CCPZ-MIL selector dial to position 4. Put the crimping tool in a completely closed position. "GO" -- Insert the "GO" (green) end of the CCPNP into the crimp area. The gauge must pass freely between the indenter "teeth". "NO-GO" --Insert the "NO-GO" (red) end of the CCPNP into the crimp area. The gauge must not pass between the indenter "teeth". If the NO-GO end of the gauge passes through the indenter "teeth", the indenters are worn and need to be replaced. <p>Please consult the factory to get the tool repaired.</p>
Assembly Tool		
	MCV-001	MCV-001 is an assembly tool to aid in the assembly of the MCV field wireable connectors that have female couplings. The MCV-001 will hold the connector and prevent it from rotating while the connector backshell is threaded onto the back of the connector.

E
M16, M23 & M27 Series

Locators				
Body Style	# of Poles	Part Number	Description	
	MCV	6 & 7	MCTP-V6	The locator is designed to be used with several different contacts within a contact series. The label on the side of the locator will indicate the proper setting for the locator and the crimp tool relative to the contact being crimped.
		12	MCTP-V12	
		19	MCTP-V19	
	MCVH	6 & 8	MCTP-VH6-8	

Mencom understand that many customers have a one-time requirement of the MC Series of product and prefer not to purchase tooling to perform the crimping. To help these customers, Mencom has a month to month tool lease program. Please consul the factory for information about this program.



MCV Series Accessories

12, 16, 17 & 19 Conductor MCV Series Accessory Cables



100' Cables | Raw Cable Spools

E

M16, M23 & M27 Series

# of Conductors	Color Code	Wire AWG	Voltage Rating	Features	Part Number	
					100' Cable	Spool
12	Black Numbered Wires #1~11 Green/Yellow #12	18 AWG	300V	Black TPE AWM 9.9mm OD (0.39" OD)	MCV-12CBLX-C	10KWXB2-*
	Brown*** Gray Brown/White Pink Blue*** Red White Black Green Violet Yellow Green/Yellow***	18 & 22 AWG	300V	Black PUR AWM with Foil Shield 8.1mm OD (0.31" OD)	MCVP-12CBL-C	54KMP01-*
				Black TPE AWM with Foil Shield 8.1mm OD (0.31" OD)	MCVW-12CBL-C	54KMW01-*
16	Black Numbered Wires #1~15 Green/Yellow #16	18 AWG	150V	Black PVC AWM 13.6mm OD (0.53" OD)	MCV-16CBLX-C	54PXB1-*
	White Black Brown Violet Green Gray/Pink Yellow Red/Blue Gray White/Green Pink Brown/Green Blue White/Yellow Red Yellow/Brown	18 AWG	150V	Black PVC AWM 12.1mm OD (0.48" OD)	MCV-16CBLX-C-C010	54PXB02-*
17	Black Numbered Wires #1~16 Green/Yellow #17	18 AWG	150V	Black PVC AWM 13.6mm OD (0.53" OD)	MCV-17CBLX-C	54PXB1-*
	White Violet Brown Gray/Pink Green Red/Blue Yellow White/Green Gray Brown/Green Pink White/Yellow Blue Yellow/Brown Red White/Gray Black	18 AWG	150V	Black PVC AWM 12.1mm OD (0.48" OD)	MCV-17CBLX-C-C010	54PXB02-*
19	Violet Black Red Green/Yellow Gray Yellow/Brown Red/Blue Brown/Green Green White Blue Yellow Gray/Pink Pink White/Green Gray/Brown White/Yellow Brown White/Gray	18 AWG	150V	Black PVC AWM 13.6mm OD (0.53" OD)	MCV-19CBLX-C	10RXB02-*
	Violet Black Red Green/Yellow*** Gray Yellow/Brown Red/Blue Brown/Green Green White Blue*** Yellow Gray/Pink Pink White/Green Gray/Brown White/Yellow Brown*** White/Gray	18 & 22 AWG	150V	Black PUR AWM 9.9mm OD (0.43" OD)	MCVP-19CBL-C	54RMP01-*
				Black TPE AWM 9.4mm OD (0.38" OD)	MCVWF-19CBL-C	54REB01-*

* Standard raw spool lengths are 0250, 0500, 0750 & 1000 feet. Consult factory for other lengths.

*** Blue, Brown and Green/Yellow wires are 18AWG.

Cable Construction subject to change without notice.

Lengths in feet. Standard cable length is 100 feet. Consult factory for other lengths.



MCV, MCVH, MCX & MCL Series Receptacles

M16, M23 & M27 Series Receptacle Part Number Matrix



Not all options available with all receptacles, please consult factory.

MC - - - - -

Connector Type

- L = M16 Series
- V = M23 Series
- VH = M23 Power Series
- X = M27 Series

Number of Conductors

- 6
- 7
- 8
- 12
- 14
- 16
- 17
- 19
- 26
- 28

Connector Configuration

- MR = Male Receptacle
- FR = Female Receptacle
- FRF = Female Receptacle with Female Thread

Length in Meters

- Blank = No Wire

Coupling Nut

- Blank = Nickel plated brass
- SS = Stainless Steel

Termination Type

- Blank = Pre-Wired
- SC = Solder Cup
- CC = Crimp Pin
- PCB = PCB Mount

Mounting Style

- Blank = Front Mount 1/2"-14 NPT
- PG13.5 = Front Mount PG13.5 Threads
- PG21 = Front Mount PG21 Threads
- M18 = Front Mount M18 Threads
- M20 = Front Mount M20 Threads
- M20L = Front Mount M20 Long Threads
- M25 = Front Mount M25 Threads
- M25L = Front Mount M25 Long Threads
- BM = Back Mount
- PM27 = Panel Mount with M2.7 Thru Holes (x4)
- PM32 = Panel Mount with M3.2 Thru Holes (x4)
- PM-RT-CC = Panel Mount Right Angle Crimp Pins
- RM25 = Rear Mount with M2.5 Tapped Holes (x4)
- RM30 = Rear Mount with M3.0 Tapped Holes (x4)

E

M16, M23 & M27 Series



MCV, MCVH, MCX & MCL Series Receptacles

MCL, MCV, MCVH & MCX Series Receptacle Index



MCV Front Mount

E

M16, M23 & M27 Series

MCV, Front Mount, Male, 1/2"-14NPT Page E-34 ~ E-35	MCV, Front Mount, Female, 1/2"-14NPT Page E-34 ~ E-35
MCV, Front Mount, Male, M20 Threads Page E-34 ~ E-35	MCV, Front Mount, Female, M20 Threads Page E-34 ~ E-35
MCV, Front Mount, Male, M20 Long Threads Page E-34 ~ E-35	MCV, Front Mount, Female, M20 Long Threads Page E-34 ~ E-35
MCV, Front Mount, Male, Solder Cups Page E-42	MCV, Front Mount, Female, Solder Cups Page E-42
<p>M20 threads shown - 1/2"-14 NPT threads also available.</p>	<p>M20 threads shown - 1/2"-14 NPT threads also available.</p>



MCV, MCVH, MCX & MCL Series Receptacles

MCL, MCV, MCVH & MCX Series Receptacle Index



MCV Front Mount | MCV Back Mount | MCV Panel Mount | MCV Rear Mount

MCV, Front Mount, Male, Crimp Pins	MCV, Front Mount, Female, Crimp Pins
<p>Page E-42</p>	<p>Page E-42</p>
MCV, Back Mount, Male	MCV, Back Mount, Female
<p>Page E-36 ~ E-37</p>	<p>Page E-36 ~ E-37</p>
MCV, Panel Mount, Male	MCV, Panel Mount, Female
<p>Page E-38 ~ E-39</p> <p>M2.7 Thru Holes shown - M3.2 Thru Holes also available.</p>	<p>Page E-38 ~ E-39</p> <p>M2.7 Thru Holes shown - M3.2 Thru Holes also available. Male thread shown - Female thread also available for 6, 7, 12 pole.</p>
MCV, Rear Mount, Male	MCV, Rear Mount, Female
<p>Page E-40 ~ E-41</p> <p>M3.0 Tapped Holes shown - M2.5 Tapped Holes also available.</p>	<p>Page E-40 ~ E-41</p> <p>M3.0 Tapped Holes shown - M2.5 Tapped Holes also available.</p>

E
M16, M23 & M27 Series



MCV, MCVH, MCX & MCL Series Receptacles

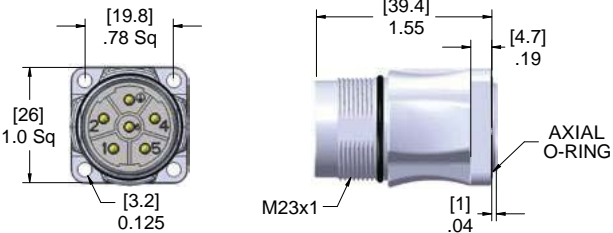
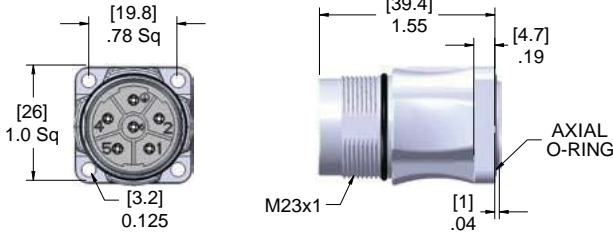
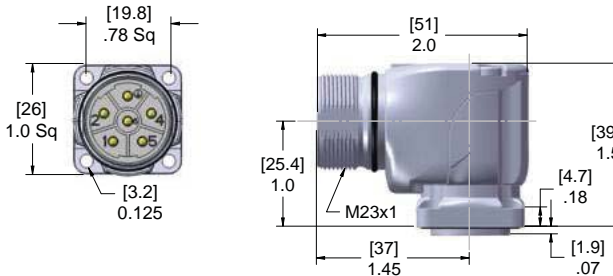
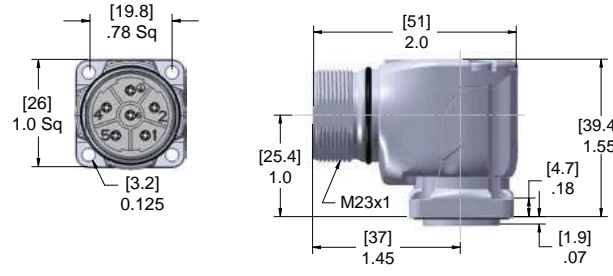
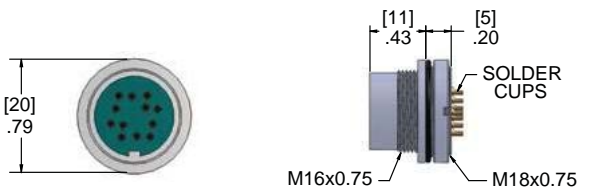
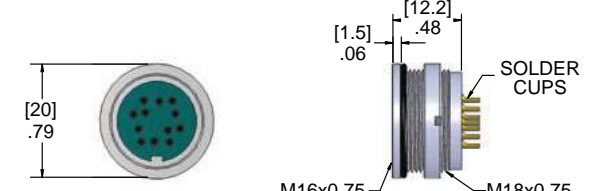
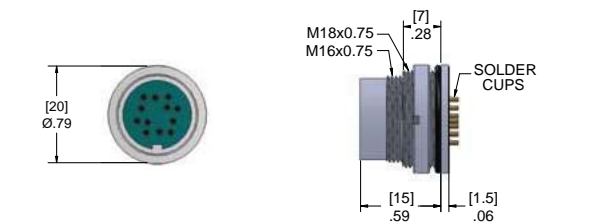
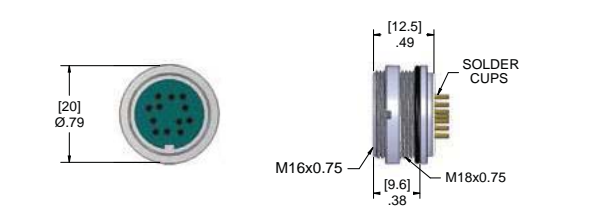
Receptacle Drawings



MCVH Panel Mount | MCL Front Mount | MCL Back Mount

E

M16, M23 & M27 Series

MCVH, Panel Mount, Male, Crimp Pins Page E-43	MCVH, Panel Mount, Female, Crimp Pins Page E-43
 <p>Front view: [19.8] .78 Sq, [26] 1.0 Sq, [3.2] 0.125</p> <p>Side view: [39.4] 1.55, [4.7] .19, AXIAL O-RING, M23x1, [1] .04</p>	 <p>Front view: [19.8] .78 Sq, [26] 1.0 Sq, [3.2] 0.125</p> <p>Side view: [39.4] 1.55, [4.7] .19, AXIAL O-RING, M23x1, [1] .04</p>
MCVH, Panel Mount, Male, Crimp Pins, Right Angle Page E-43	MCVH, Panel Mount, Female, Crimp Pins, Right Angle Page E-43
 <p>Front view: [19.8] .78 Sq, [26] 1.0 Sq, [3.2] 0.125</p> <p>Side view: [51] 2.0, [25.4] 1.0, M23x1, [37] 1.45, [1.9] .07, [4.7] .18, [39.4] 1.55</p>	 <p>Front view: [19.8] .78 Sq, [26] 1.0 Sq, [3.2] 0.125</p> <p>Side view: [51] 2.0, [25.4] 1.0, M23x1, [37] 1.45, [1.9] .07, [4.7] .18, [39.4] 1.55</p>
MCL, Front Mount, Male, M18 Threads, Solder Cups Page E-44	MCL, Front Mount, Female, M18 Threads, Solder Cups Page E-44
 <p>Front view: [20] .79</p> <p>Side view: [11] .43, [5] .20, SOLDER CUPS, M16x0.75, M18x0.75</p>	 <p>Front view: [20] .79</p> <p>Side view: [12.2] .48, [1.5] .06, SOLDER CUPS, M16x0.75, M18x0.75</p>
MCL, Back Mount, Male, Solder Cups Page E-44	MCL, Back Mount, Female, Solder Cups Page E-44
 <p>Front view: [20] Ø.79</p> <p>Side view: [7] .28, M18x0.75, M16x0.75, SOLDER CUPS, [15] .59, [1.5] .06</p>	 <p>Front view: [20] Ø.79</p> <p>Side view: [12.5] .49, [9.6] .38, SOLDER CUPS, M16x0.75, M18x0.75</p>



<p>MCX, Front Mount, Male, M20 Threads Page E-45</p>	<p>MCX, Front Mount, Male, M25 Threads Page E-45</p>
<p>MCX, Front Mount, Male, M25 Long Threads Page E-45</p>	<p>MCX, Front Mount, Male, PG21 Threads Page E-45</p>
<p>MCX, Back Mount, Male Page E-46</p>	<p>MCX, PCB Back Mount, Male Page E-46</p>

E
M16, M23 & M27 Series



MCV (M23) Series Receptacles

6, 7 & 12 Conductor M23 Series Receptacles, 16/18AWG



Front Mount Receptacles | 1/2"-14 NPT | Metric Threads | IP67 Rating



6 & 7 pole are not UL listed.

E
M23 Series

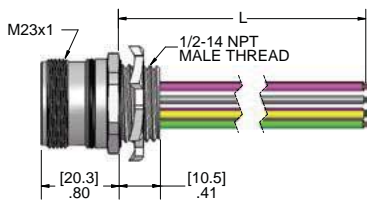
# of Poles	Male Faceview	Color Code	Wire AWG Rating	Mounting Threads	Male Receptacles	Female Receptacles
6	 M23 x 1	1. White 4. Orange 2. Red 5. Black 3. Green/Yellow 6. Blue	16 AWG 600V 8A	1/2-14 NPT	MCV-6MR-**-**	MCV-6FR-**-**
				M20	MCV-6MR-**-M20	MCV-6FR-**-M20
				M20L	MCV-6MR-**-M20L	MCV-6FR-**-M20L
7	 M23 x 1	1. White/Black 5. Orange 2. Black 6. Blue 3. White 7. Green/Yellow 4. Red	16 AWG 600V 8A	1/2-14 NPT	MCV-7MR-**-**	MCV-7FR-**-**
				M20	MCV-7MR-**-M20	MCV-7FR-**-M20
				M20L	MCV-7MR-**-M20L	MCV-7FR-**-M20L
12	 M23 x 1	1. Brown 7. Gray 2. Brown/White 8. Pink 3. Blue 9. Red 4. White 10. Black 5. Green 11. Violet 6. Yellow 12. Green/Yellow	18 AWG 300V 4A	1/2-14 NPT	MCV-12MR-**-**	MCV-12FR-**-**
				M20	MCV-12MR-**-M20	MCV-12FR-**-M20
				M20L	MCV-12MR-**-M20L	MCV-12FR-**-M20L

** Length in meters. 0.3m leads are standard. Longer lead lengths are available, please consult the factory for part numbers.

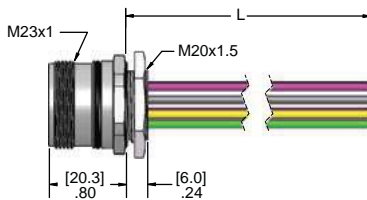
Standard shell is nickel plated brass. Stainless steel shell is available in M20 thread only.

For stainless steel coupling nut add a "-SS" suffix. (e.g. MCV-12FR-1M-M20 becomes MCV-12FR-1M-M20-SS)

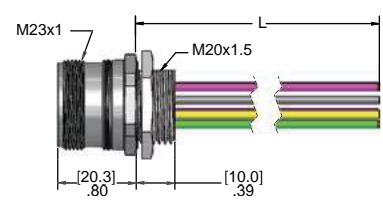
For 1/2" receptacles with lengths of 15" or longer O-ring and lock nut are included.



1/2"-14 NPT Thread



M20 Thread



M20 Long Thread

Specifications:

- Shell: Nickel Plated Brass
- Insulator: PBT
- Contacts: Copper Alloy with Gold Plating
- O-Ring: NBR
- Lock Nut: Nickel Plated Brass
- Jam Nut: Zinc Plated Steel
- Temperature: -40°C to 105°C (-40°F to +221°F)



MCV (M23) Series Receptacles

16, 17 & 19 Conductor M23 Series Receptacles, 18/22AWG



Front Mount Receptacles | 1/2"-14 NPT Threads | Metric Threads | IP67 Rating

16 & 17 pole are not UL listed.



# of Poles	Male Faceview	Color Code	Wire AWG Rating	Mounting Threads	Male Receptacles	Female Receptacles
16	<p>M23 x 1</p>	1. White 2. Brown 3. Green 4. Yellow 5. Gray 6. Pink 7. Blue 8. Red 9. Black 10. Violet 11. Gray/Pink 12. Red/Blue 13. White/Green 14. Brown/Green 15. White/Yellow 16. Yellow/Brown	18 AWG 150V 5A	1/2-14 NPT	MCV-16MR-**	MCV-16FR-**
				M20	MCV-16MR-**-M20	MCV-16FR-**-M20
				M20L	MCV-16MR-**-M20L	MCV-16FR-**-M20L
17	<p>M23 x 1</p>	1. White 2. Brown 3. Green 4. Yellow 5. Gray 6. Pink 7. Blue 8. Red 9. Black 10. Violet 11. Gray/Pink 12. Red/Blue 13. White/Green 14. Brown/Green 15. White/Yellow 16. Yellow/Brown 17. White/Gray	18 AWG 150V 5A	1/2-14 NPT	MCV-17MR-**	MCV-17FR-**
				M20	MCV-17MR-**-M20	MCV-17FR-**-M20
				M20L	MCV-17MR-**-M20L	MCV-17FR-**-M20L
19	<p>M23 x 1</p>	1. Violet 2. Red 3. Gray 4. Red/Blue 5. Green 6. Blue*** 7. Gray/Pink 8. White/Green 9. White/Yellow 10. White/Gray 11. Black 12. Green/Yellow*** 13. Yellow/Brown 14. Brown/Green 15. White 16. Yellow 17. Pink 18. Gray/Brown 19. Brown***	18 AWG 150V 5A	1/2-14 NPT	MCV-19MRX-**	MCV-19FRX-**
				M20	MCV-19MRX-**-M20	MCV-19FRX-**-M20
				M20L	MCV-19MRX-**-M20L	MCV-19FRX-**-M20L
			3 x 18 AWG 300V 10A	1/2-14 NPT	MCV-19MR-**	MCV-19FR-**
				M20	MCV-19MR-**-M20	MCV-19FR-**-M20
				M20L	MCV-19MR-**-M20L	MCV-19FR-**-M20L
16 x 22 AWG 300V 1A	1/2-14 NPT	MCV-19MR-**	MCV-19FR-**			
	M20	MCV-19MR-**-M20	MCV-19FR-**-M20			
	M20L	MCV-19MR-**-M20L	MCV-19FR-**-M20L			

E
M23 Series

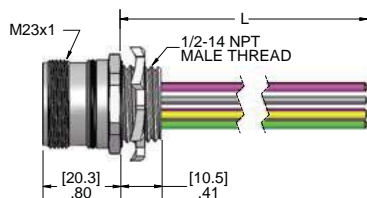
** Length in meters. 0.3m leads are standard. Longer lead lengths are available, please consult the factory for part numbers.

*** Brown, Blue, and Green/Yellow are 18 AWG wires.

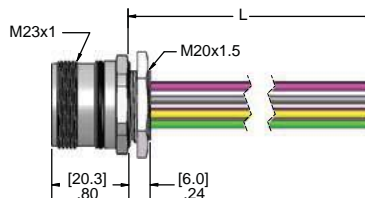
Standard shell is nickel plated brass. Stainless steel shell is available in M20 thread only

For stainless steel coupling nut add a "-SS" suffix. (e.g. MCV-19FR-1M-M20 becomes MCV-19FR-1M-M20-SS)

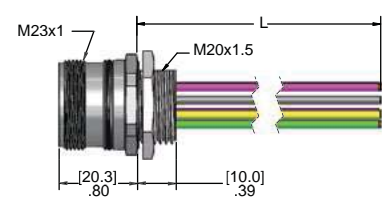
For 1/2" receptacles with lengths of 15" or longer O-ring and lock nut are included.



1/2"-14 NPT Thread



M20 Thread



M20 Long Thread

Specifications:

Shell: Nickel Plated Brass
 Insulator: PBT
 Contacts: Copper Alloy with Gold Plating
 O-Ring: NBR

Lock Nut: Nickel Plated Brass
 Jam Nut: Zinc Plated Steel
 Temperature: -40°C to 105°C (-40°F to +221°F)



MCV (M23) Series Receptacles

6, 7 & 12 Conductor M23 Series Receptacles, 16/18AWG



Back Mount Receptacles | IP67 Rating



6 & 7 pole are not UL listed.

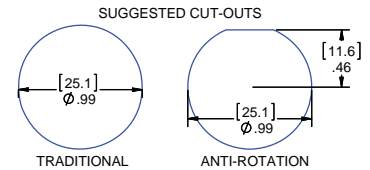
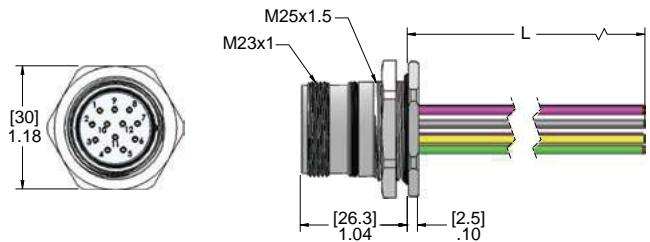
E
M23 Series

# of Poles	Male Faceview	Color Code	Wire AWG Rating	Male Receptacles	Female Receptacles
6	 M23 x 1	1. White 2. Red 3. Green/Yellow 4. Orange 5. Black 6. Blue	16 AWG 600V 8A	MCV-6MR-**-BM	MCV-6FR-**-BM
7	 M23 x 1	1. White/Black 2. Black 3. White 4. Red 5. Orange 6. Blue 7. Green/Yellow	16 AWG 600V 8A	MCV-7MR-**-BM	MCV-7FR-**-BM
12	 M23 x 1	1. Brown 2. Brown/White 3. Blue 4. White 5. Green 6. Yellow 7. Gray 8. Pink 9. Red 10. Black 11. Violet 12. Green/Yellow	18 AWG 300V 4A	MCV-12MR-**-BM	MCV-12FR-**-BM

** Length in meters. 0.3m leads are standard. Longer lead lengths are available, please consult the factory for part numbers.

Specifications:

- Shell: Nickel Plated Brass
- Insulator: PBT
- Contacts: Copper Alloy with Gold Plating
- O-Ring: NBR
- Jam Nut: Nickel Plated Brass
- Temperature: -40°C to 105°C (-40°F to +221°F)





MCV (M23) Series Receptacles

16, 17 & 19 Conductor M23 Series Receptacles, 18/22AWG



Back Mount Receptacles | IP67 Rating

16 & 17 pole are not UL listed.



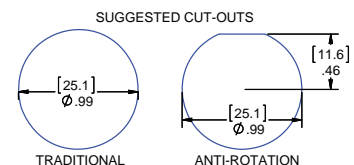
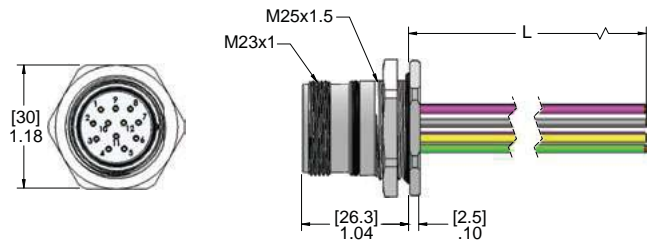
Male Faceview	# of Poles	Color Code		Wire AWG Rating	Male Receptacles	Female Receptacles
 M23 x 1	16	1. White 2. Brown 3. Green 4. Yellow 5. Gray 6. Pink 7. Blue 8. Red	9. Black 10. Violet 11. Gray/Pink 12. Red/Blue 13. White/Green 14. Brown/Green 15. White/Yellow 16. Yellow/Brown	18 AWG 150V 5A	MCV-16MR-**-BM	MCV-16FR-**-BM
 M23 x 1	17	1. White 2. Brown 3. Green 4. Yellow 5. Gray 6. Pink 7. Blue 8. Red 9. Black	10. Violet 11. Gray/Pink 12. Red/Blue 13. White/Green 14. Brown/Green 15. White/Yellow 16. Yellow/Brown 17. White/Gray	18 AWG 150V 5A	MCV-17MR-**-BM	MCV-17FR-**-BM
 M23 x 1	19	1. Violet 2. Red 3. Gray 4. Red/Blue 5. Green 6. Blue*** 7. Gray/Pink 8. White/Green 9. White/Yellow 10. White/Gray	11. Black 12. Green/Yellow*** 13. Yellow/Brown 14. Brown/Green 15. White 16. Yellow 17. Pink 18. Gray/Brown 19. Brown***	18 AWG 150V 5A	MCV-19MRX-**-BM	MCV-19FRX-**-BM
				3 x 18 AWG 300V 5A 16 x 22 AWG 300V 1A	MCV-19MR-**-BM	MCV-19FR-**-BM

E
M23 Series

** Length in meters. 0.3m leads are standard. Longer lead lengths are available, please consult the factory for part numbers.
*** Brown, Blue, and Green/Yellow are 18 AWG wires.

Specifications:

- Shell: Nickel Plated Brass
- Insulator: PBT
- Contacts: Copper Alloy with Gold Plating
- O-Ring: NBR
- Jam Nut: Nickel Plated Brass
- Temperature: -40°C to 105°C (-40°F to +221°F)





MCV (M23) Series Receptacles

6, 7 & 12 Conductor M23 Series Receptacles, 16/18AWG



Panel Mount Receptacles | M2.7 & M3.2 Thru Hole | IP67 Rating

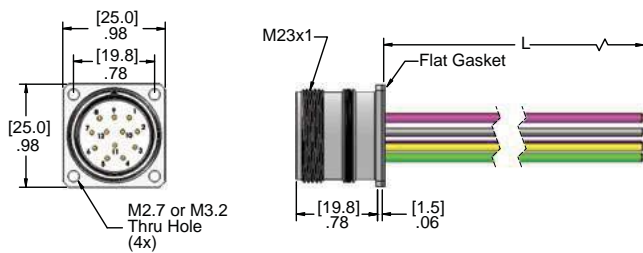


6 & 7 pole are not UL listed.

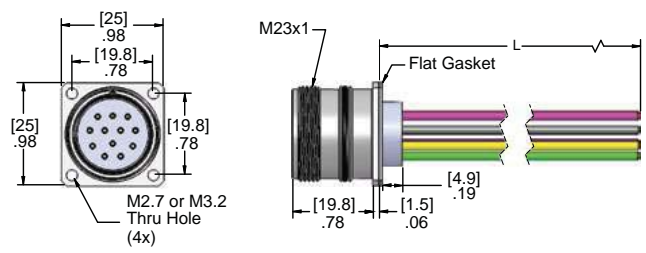
E
M23 Series

# of Poles	Male Faceview	Color Code	Wire AWG Rating	Thru Hole Size	Male Receptacles	Female Receptacles	
						Male Threads	Female Threads
6	 M23 x 1	1. White 2. Red 3. Green/Yellow 4. Orange 5. Black 6. Blue	16 AWG 600V 8A	M2.7	MCV-6MR**-PM27	MCV-6FR**-PM27	MCV-6FRF**-PM27
				M3.2	MCV-6MR**-PM32	MCV-6FR**-PM32	MCV-6FRF**-PM32
7	 M23 x 1	1. White/Black 2. Black 3. White 4. Red 5. Orange 6. Blue 7. Green/Yellow	16 AWG 600V 8A	M2.7	MCV-7MR**-PM27	MCV-7FR**-PM27	MCV-7FRF**-PM27
				M3.2	MCV-7MR**-PM32	MCV-7FR**-PM32	MCV-7FRF**-PM32
12	 M23 x 1	1. Brown 2. Brown/White 3. Blue 4. White 5. Green 6. Yellow 7. Gray 8. Pink 9. Red 10. Black 11. Violet 12. Green/Yellow	18 AWG 300V 4A	M2.7	MCV-12MR**-PM27	MCV-12FR**-PM27	MCV-12FRF**-PM27
				M3.2	MCV-12MR**-PM32	MCV-12FR**-PM32	MCV-12FRF**-PM32

** Length in meters. 0.3m leads are standard. Longer lead lengths are available, please consult the factory for part numbers.



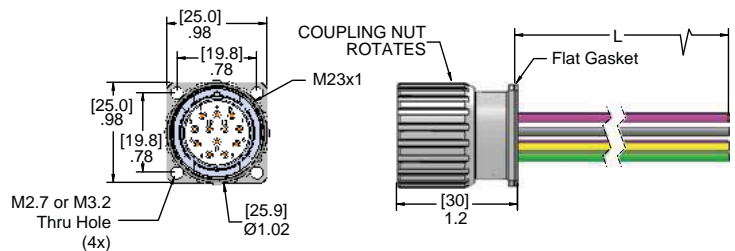
Male Receptacle



Female Receptacle with Male Thread

Specifications:

- Shell: Nickel Plated Brass
- Insulator: PBT
- Contacts: Copper Alloy with Gold Plating
- O-Ring: NBR
- Temperature: -40°C to 105°C (-40°F to +221°F)



Female Receptacle with Female Thread



MCV (M23) Series Receptacles

16, 17 & 19 Conductor M23 Series Receptacles, 18/22AWG



Panel Mount Receptacles | M2.7 & M3.2 Thru Hole | IP67 Rating

16 & 17 pole are not UL listed.

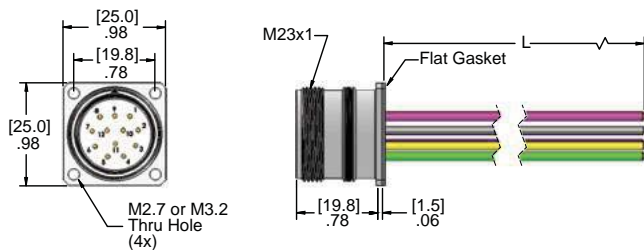


# of Poles	Male Faceview	Color Code	Wire AWG Rating	Thru Hole Size	Male Receptacles	Female Receptacles
16	<p>M23 x 1</p>	1. White 2. Brown 3. Green 4. Yellow 5. Gray 6. Pink 7. Blue 8. Red 9. Black 10. Violet 11. Gray/Pink 12. Red/Blue 13. White/Green 14. Brown/Green 15. White/Yellow 16. Yellow/Brown	18 AWG 150V 10A	M2.7	MCV-16MR**-PM27	MCV-16FR**-PM27
				M3.2	MCV-16MR**-PM32	MCV-16FR**-PM32
17	<p>M23 x 1</p>	1. White 2. Brown 3. Green 4. Yellow 5. Gray 6. Pink 7. Blue 8. Red 9. Black 10. Violet 11. Gray/Pink 12. Red/Blue 13. White/Green 14. Brown/Green 15. White/Yellow 16. Yellow/Brown 17. White/Gray	18 AWG 150V 10A	M2.7	MCV-17MR**-PM27	MCV-17FR**-PM27
				M3.2	MCV-17MR**-PM32	MCV-17FR**-PM32
19	<p>M23 x 1</p>	1. Violet 2. Red 3. Gray 4. Red/Blue 5. Green 6. Blue*** 7. Gray/Pink 8. White/Green 9. White/Yellow 10. White/Gray 11. Black 12. Green/Yellow*** 13. Yellow/Brown 14. Brown/Green 15. White 16. Yellow 17. Pink 18. Gray/Brown 19. Brown***	18 AWG 150V 10A	M2.7	MCV-19MRX**-PM27	MCV-19FRX**-PM27
				M3.2	MCV-19MRX**-PM32	MCV-19FRX**-PM32
			3 x 18 AWG 300V 10A	M2.7	MCV-19MR**-PM27	MCV-19FR**-PM27
				M3.2	MCV-19MR**-PM32	MCV-19FR**-PM32
16 x 22 AWG 300V 1A	M2.7	MCV-19MR**-PM27	MCV-19FR**-PM27			
	M3.2	MCV-19MR**-PM32	MCV-19FR**-PM32			

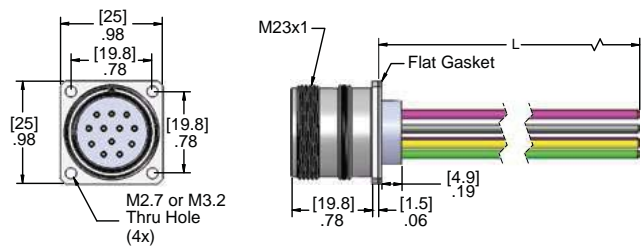
E
M23 Series

** Length in meters. 0.3m leads are standard. Longer lead lengths are available, please consult the factory for part numbers.

*** Brown, Blue, and Green/Yellow are 18 AWG wires.



Male Receptacle



Female Receptacle with Male Thread

Specifications:

Shell: Nickel Plated Brass
 Insulator: PBT
 Contacts: Copper Alloy with Gold Plating

O-Ring: NBR
 Temperature: -40°C to 105°C (-40°F to +221°F)



MCV (M23) Series Receptacles

6, 7 & 12 Conductor M23 Series Receptacles, 16/18AWG



Rear Mount Receptacles | M2.5 & M3.0 Tapped Hole | IP67 Rating

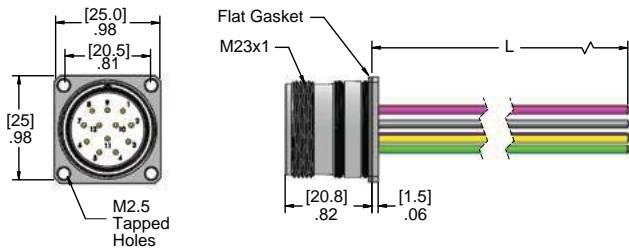


6 & 7 pole are not UL listed.

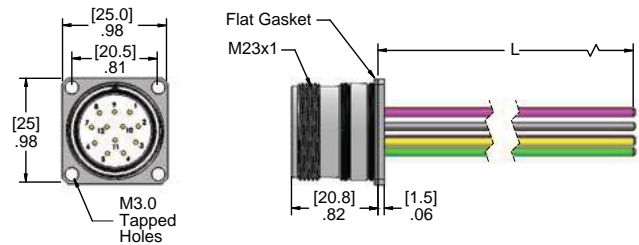
E
M23 Series

# of Poles	Male Faceview	Color Code	Wire AWG Rating	Tapped Hole Size	Male Receptacles	Female Receptacles
6	<p>M23 x 1</p>	1. White 4. Orange 2. Red 5. Black 3. Green/Yellow 6. Blue	16 AWG 600V 8A	M2.5	MCV-6MR-**-RM25	MCV-6FR-**-RM25
				M3.0	MCV-6MR-**-RM30	MCV-6FR-**-RM30
7	<p>M23 x 1</p>	1. White/Black 5. Orange 2. Black 6. Blue 3. White 7. Green/Yellow 4. Red	16 AWG 600V 8A	M2.5	MCV-7MR-**-RM25	MCV-7FR-**-RM25
				M3.0	MCV-7MR-**-RM30	MCV-7FR-**-RM30
12	<p>M23 x 1</p>	1. Brown 7. Gray 2. Brown/White 8. Pink 3. Blue 9. Red 4. White 10. Black 5. Green 11. Violet 6. Yellow 12. Green/Yellow	18 AWG 300V 4A	M2.5	MCV-12MR-**-RM25	MCV-12FR-**-RM25
				M3.0	MCV-12MR-**-RM30	MCV-12FR-**-RM30

** Length in meters. 0.3m leads are standard. Longer lead lengths are available, please consult the factory for part numbers.



Male Receptacle



Female Receptacle

Specifications:

- Shell: Nickel Plated Brass
- Insulator: PBT
- Contacts: Copper Alloy with Gold Plating
- O-Ring: NBR
- Temperature: -40°C to 105°C (-40°F to +221°F)



MCV (M23) Series Receptacles

16, 17 & 19 Conductor M23 Series Receptacles, 18/22AWG



Rear Mount Receptacles | M2.5 & M3.0 Tapped Hole | IP67 Rating

16 & 17 pole are not UL listed.

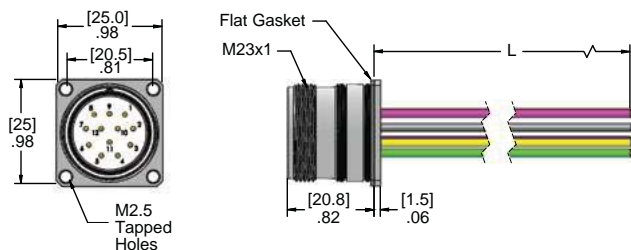


# of Poles	Male Faceview	Color Code	Wire AWG Rating	Tapped Hole Size	Male Receptacles	Female Receptacles
16	<p>M23 x 1</p>	1. White 2. Brown 3. Green 4. Yellow 5. Gray 6. Pink 7. Blue 8. Red 9. Black 10. Violet 11. Gray/Pink 12. Red/Blue 13. White/Green 14. Brown/Green 15. White/Yellow 16. Yellow/Brown	18 AWG 150V 5A	M2.5	MCV-16MR-**-RM25	MCV-16FR-**-RM25
				M3.0	MCV-16MR-**-RM30	MCV-16FR-**-RM30
17	<p>M23 x 1</p>	1. White 2. Brown 3. Green 4. Yellow 5. Gray 6. Pink 7. Blue 8. Red 9. Black 10. Violet 11. Gray/Pink 12. Red/Blue 13. White/Green 14. Brown/Green 15. White/Yellow 16. Yellow/Brown 17. White/Gray	18 AWG 150V 5A	M2.5	MCV-17MR-**-RM25	MCV-17FR-**-RM25
				M3.0	MCV-17MR-**-RM30	MCV-17FR-**-RM30
19	<p>M23 x 1</p>	1. Violet 2. Red 3. Gray 4. Red/Blue 5. Green 6. Blue*** 7. Gray/Pink 8. White/Green 9. White/Yellow 10. White/Gray 11. Black 12. Green/Yellow*** 13. Yellow/Brown 14. Brown/Green 15. White 16. Yellow 17. Pink 18. Gray/Brown 19. Brown***	18 AWG 150V 5A	M2.5	MCV-19MRX-**-RM25	MCV-19FRX-**-RM25
				M3.0	MCV-19MRX-**-RM30	MCV-19FRX-**-RM30
			3 x 18 AWG 300V 5A	M2.5	MCV-19MR-**-RM25	MCV-19FR-**-RM25
				M3.0	MCV-19MR-**-RM30	MCV-19FR-**-RM30
16 x 22 AWG 300V 1A				M2.5	MCV-19MR-**-RM25	MCV-19FR-**-RM25
				M3.0	MCV-19MR-**-RM30	MCV-19FR-**-RM30

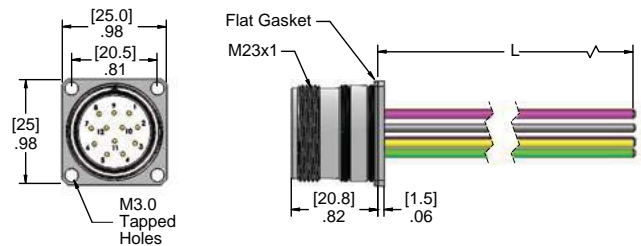
E
M23 Series

** Length in meters. 0.3m leads are standard. Longer lead lengths are available, please consult the factory for part numbers.

*** Brown, Blue, and Green/Yellow are 18 AWG wires.



Male Receptacle



Female Receptacle

Specifications:

Shell: Nickel Plated Brass
 Insulator: PBT
 Contacts: Copper Alloy with Gold Plating

O-Ring: NBR
 Temperature: -40°C to 105°C (-40°F to +221°F)



MCV (M23) Series Receptacles

6, 7, 12 & 19 Conductor M23 Series Receptacles



Front Mount Receptacles | Solder Cups | Crimp Pins | IP67 Rating

E
M23 Series

Solder Cups					
# of Poles	Male Faceview	Mounting Threads	Male Receptacles	Female Receptacles	Housing Style
12	<p>M23 x 1</p>	1/2"-14 NPT	MCV-12MR-SC	MCV-12FR-SC	
		M20	MCV-12MR-M20-SC	MCV-12FR-M20-SC	
19	<p>M23 x 1</p>	1/2"-14 NPT	MCV-19MR-SC	MCV-19FR-SC	
		M20	MCV-19MR-M20-SC	MCV-19FR-M20-SC	
Crimp Pins					
6	<p>M23 x 1</p>	M20	MCV-6MR-M20-CC	MCV-6FR-M20-CC	
7	<p>M23 x 1</p>	M20	MCV-7MR-M20-CC	MCV-7FR-M20-CC	
12	<p>M23 x 1</p>	M20	MCV-12MR-M20-CC	MCV-12FR-M20-CC	
19	<p>M23 x 1</p>	M20	MCV-19MR-M20-CC	MCV-19FR-M20-CC	

Crimp pins sold separately. See page E-18 ~ E-20 for part numbers.

Specifications:

Shell: Nickel Plated Brass
 Insulator: 105°C, Oil Resistant Yellow PVC
 Contacts: Copper Alloy with Gold Plating
 O-Ring: NBR
 Jam Nut: Nickel Plated Brass
 Temperature: -40°C to 105°C (-40°F to +221°F)



MCVH (M23) Series Receptacles

6 & 8 Conductor M23 Series Receptacles



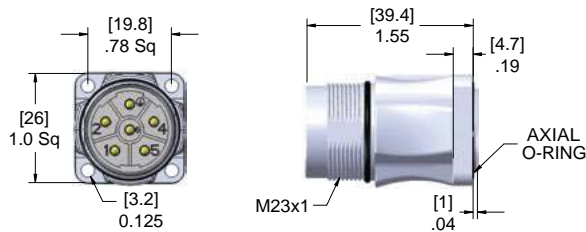
Panel Mount Receptacles | Crimp Pins | IP67 Rating

# of Poles	Male Faceview	Male Receptacles		Female Receptacles	
		Straight	Right Angle	Straight	Right Angle
6	 M23 x 1	MCVH-6MR-PM-CC	MCVH-6MR-PM-RT-CC	MCVH-6FR-PM-CC	MCVH-6FR-PM-RT-CC
8	 M23 x 1	MCVH-8MR-PM-CC	MCVH-8MR-PM-RT-CC	MCVH-8FR-PM-CC	MCVH-8FR-PM-RT-CC

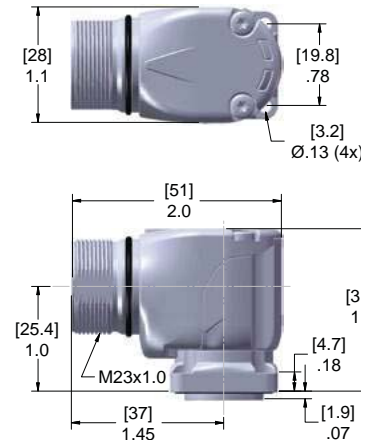
E

M23 Series

Straight



Rotatable Right Angle



Specifications:

Body: PM-CC: Nickel Plated Brass
 RT-CC: Nickel Plated Zinc
 Insulator: Polyamide
 Contacts: Copper Alloy with Gold Plating
 O-Ring: FPM
 Temperature: -40°C to +105°C (-40°F to +221°F)

# of Poles	Crimp Pin	Wire AWG	Male Contacts	Female Contacts	
6&8* *Pins 1-4 for the 8 Pole	 Female Contact	 Male Contact	12 AWG	MCVH-MR-PIN-12	MCVH-FR-PIN-12
			14-16 AWG	MCVH-MR-PIN-16	MCVH-FR-PIN-16
			20-24 AWG	MCVH-MR-PIN-20	MCVH-FR-PIN-20
8 Pins A-D	 Female Contact	 Male Contact	18-22 AWG	MCVH-8MR-PIN-18	MCVH-8FR-PIN-18
			24-26 AWG	MCVH-8MR-PIN-24	MCVH-8FR-PIN-24

# of Poles	Crimp Tool	Crimp Tool Locator
6&7	CCPZ-MIL	MCTP-VH6-8

Crimp Tool and Crimp Tool Locator are ordered separately. Locators fit into crimp tool and are necessary for proper crimping.



MCL (M16) Series Receptacles

12 & 14 Conductor MCL Series Receptacles, 24-28AWG



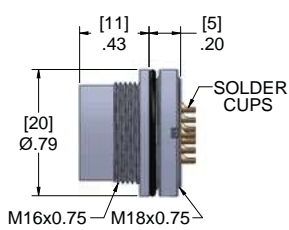
Front & Back Mount | Solder Cup | 60 Volt, 3 amps | IP67 Rating

E
M16 Series

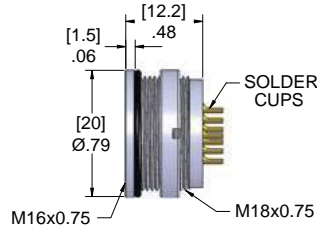
Solder Cup : Front Mount Version					
# of Poles	Male Faceview	Rating	Wire AWG	Male Receptacles	Female Receptacles
12	 M16 x 1	60V 3A	24-28 AWG	MCL-12MR-M18-SC	MCL-12FR-M18-SC
14	 M16 x 1	60V 3A	24-28 AWG	MCL-14MR-M18-SC	MCL-14FR-M18-SC
Solder Cup : Back Mount Version					
12	 M16 x 1	60V 3A	24-28 AWG	MCL-12MR-M18-BM-SC	MCL-12FR-M18-BM-SC
14	 M16 x 1	60V 3A	24-28 AWG	MCL-14MR-M18-BM-SC	MCL-14FR-M18-BM-SC

Front Mount

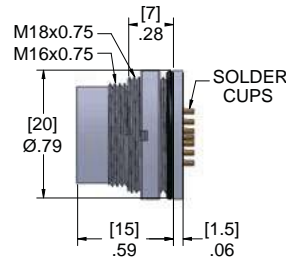
Back Mount



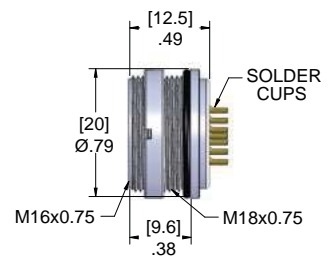
Male Receptacle



Female Receptacle



Male Receptacle



Female Receptacle

Specifications:

- Shell: Nickel Plated Zinc Diecast
- Contacts: Copper Alloy with Gold Plating
- O-Ring: NBR
- Jam Nut: Nickel Plated Brass
- Insert: PBT
- Temperature: -30°C to +85°C (-22°F to +185°F)



MCX (M27) Series Receptacles

26 & 28 Conductor M27 Series Receptacles

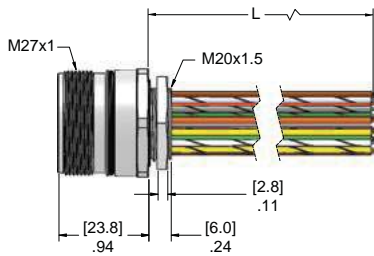


Front Mount | Metric & PG Threads | IP67 Rating

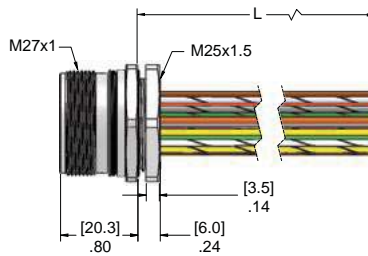
# of Poles	Male Faceview	Color Code	Wire AWG	Mounting Threads	Male Receptacles																														
26	<p>M27 x 1</p>	<table border="0"> <tr> <td>1. White</td> <td>10. Violet</td> <td>19. White/Pink</td> </tr> <tr> <td>2. Brown</td> <td>11. Gray/Pink</td> <td>20. Pink/Brown</td> </tr> <tr> <td>3. Green</td> <td>12. Red/Blue</td> <td>21. White/Blue</td> </tr> <tr> <td>4. Yellow</td> <td>13. White/Green</td> <td>22. Brown/Blue</td> </tr> <tr> <td>5. Gray</td> <td>14. Brown/Green</td> <td>23. White/Red</td> </tr> <tr> <td>6. Pink</td> <td>15. White/Yellow</td> <td>24. Brown/Red</td> </tr> <tr> <td>7. Blue</td> <td>16. Yellow/Brown</td> <td>25. White/Black</td> </tr> <tr> <td>8. Red</td> <td>17. White/Gray</td> <td>26. Green Yellow</td> </tr> <tr> <td>9. Black</td> <td>18. Gray/Brown</td> <td></td> </tr> </table>	1. White	10. Violet	19. White/Pink	2. Brown	11. Gray/Pink	20. Pink/Brown	3. Green	12. Red/Blue	21. White/Blue	4. Yellow	13. White/Green	22. Brown/Blue	5. Gray	14. Brown/Green	23. White/Red	6. Pink	15. White/Yellow	24. Brown/Red	7. Blue	16. Yellow/Brown	25. White/Black	8. Red	17. White/Gray	26. Green Yellow	9. Black	18. Gray/Brown		22 AWG	M20	MCX-26MR-**-M20			
			1. White	10. Violet	19. White/Pink																														
			2. Brown	11. Gray/Pink	20. Pink/Brown																														
			3. Green	12. Red/Blue	21. White/Blue																														
4. Yellow	13. White/Green	22. Brown/Blue																																	
5. Gray	14. Brown/Green	23. White/Red																																	
6. Pink	15. White/Yellow	24. Brown/Red																																	
7. Blue	16. Yellow/Brown	25. White/Black																																	
8. Red	17. White/Gray	26. Green Yellow																																	
9. Black	18. Gray/Brown																																		
M25	MCX-26MR-**-M25																																		
M25L	MCX-26MR-**-M25L																																		
PG21	MCX-26MR-**-PG21																																		
28	<p>M27 x 1</p>	<table border="0"> <tr> <td>1. White</td> <td>11. Gray/Pink</td> <td>11. Gray/Pink</td> </tr> <tr> <td>2. Brown</td> <td>12. Red/Blue</td> <td>12. Red/Blue</td> </tr> <tr> <td>3. Green</td> <td>13. White/Green</td> <td>13. White/Green</td> </tr> <tr> <td>4. Yellow</td> <td>14. Brown/Green</td> <td>14. Brown/Green</td> </tr> <tr> <td>5. Gray</td> <td>15. White/Yellow</td> <td>15. White/Yellow</td> </tr> <tr> <td>6. Pink</td> <td>16. Yellow/Brown</td> <td>16. Yellow/Brown</td> </tr> <tr> <td>7. Blue</td> <td>17. White/Gray</td> <td>17. White/Gray</td> </tr> <tr> <td>8. Red</td> <td>18. Gray/Brown</td> <td>18. Gray/Brown</td> </tr> <tr> <td>9. Black</td> <td>19. White/Pink</td> <td>19. White/Pink</td> </tr> <tr> <td>10. Violet</td> <td>20. Pink/Brown</td> <td>20. Pink/Brown</td> </tr> </table>	1. White	11. Gray/Pink	11. Gray/Pink	2. Brown	12. Red/Blue	12. Red/Blue	3. Green	13. White/Green	13. White/Green	4. Yellow	14. Brown/Green	14. Brown/Green	5. Gray	15. White/Yellow	15. White/Yellow	6. Pink	16. Yellow/Brown	16. Yellow/Brown	7. Blue	17. White/Gray	17. White/Gray	8. Red	18. Gray/Brown	18. Gray/Brown	9. Black	19. White/Pink	19. White/Pink	10. Violet	20. Pink/Brown	20. Pink/Brown	22 AWG	M20	MCX-28MR-**-M20
			1. White	11. Gray/Pink	11. Gray/Pink																														
			2. Brown	12. Red/Blue	12. Red/Blue																														
			3. Green	13. White/Green	13. White/Green																														
4. Yellow	14. Brown/Green	14. Brown/Green																																	
5. Gray	15. White/Yellow	15. White/Yellow																																	
6. Pink	16. Yellow/Brown	16. Yellow/Brown																																	
7. Blue	17. White/Gray	17. White/Gray																																	
8. Red	18. Gray/Brown	18. Gray/Brown																																	
9. Black	19. White/Pink	19. White/Pink																																	
10. Violet	20. Pink/Brown	20. Pink/Brown																																	
M25	MCX-28MR-**-M25																																		
M25L	MCX-28MR-**-M25L																																		
PG21	MCX-28MR-**-PG21																																		

E
M27 Series

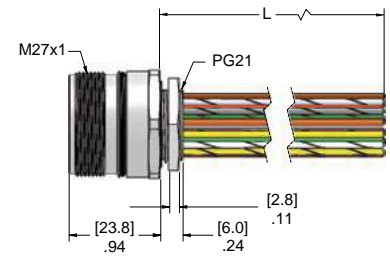
** Length in meters. 0.3m leads are standard. Longer lead lengths are available, please consult the factory for part numbers.



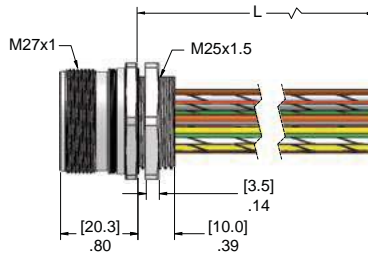
M20 Threads



M25 Threads



PG21 Threads



M25L Threads

Specifications:

Body: Nickel Plated Brass
 Contacts: Copper Alloy with Gold Plating
 Coupling Nut: Nickel Plated Brass
 Insulator: Polyamide

O-Ring: FPM
 Jam Nut: Nickel Plated Brass
 Temperature: -40°C to +105°C (-40°F to +221°F)



MCX (M27) Series Receptacles

26 & 28 Conductor M27 Series Receptacles



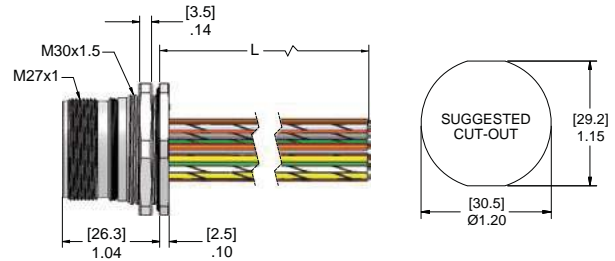
Back Mount | PCB Back Mount | IP67 Rating

E
M27 Series

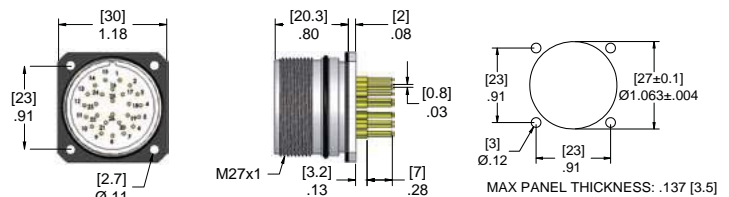
# of Poles	Male Faceview	Color Code	Wire AWG	Termination Type	Male Receptacles
26	<p>M27 x 1</p>	1. White 10. Violet 19. White/Pink 2. Brown 11. Gray/Pink 20. Pink/Brown 3. Green 12. Red/Blue 21. White/Blue 4. Yellow 13. White/Green 22. Brown/Blue 5. Gray 14. Brown/Green 23. White/Red 6. Pink 15. White/Yellow 24. Brown/Red 7. Blue 16. Yellow/Brown 25. White/Black 8. Red 17. White/Gray 26. Green Yellow 9. Black 18. Gray/Brown	22 AWG	Pre-Wired	MCX-26MR-**-BM
				PCB	MCX-26MR-BM-PCB
28	<p>M27 x 1</p>	1. White 11. Gray/Pink 21. White/Blue 2. Brown 12. Red/Blue 22. Brown/Blue 3. Green 13. White/Green 23. White/Red 4. Yellow 14. Brown/Green 24. Brown/Red 5. Gray 15. White/Yellow 25. White/Black 6. Pink 16. Yellow/Brown 26. Green Yellow 7. Blue 17. White/Gray 27. Brown/Black 8. Red 18. Gray/Brown 28. Gray/Green 9. Black 19. White/Pink 10. Violet 20. Pink/Brown	22 AWG	Pre-Wired	MCX-28MR-**-BM
				PCB	MCX-28MR-BM-PCB

** Length in meters. 0.3m leads are standard. Longer lead lengths are available, please consult the factory for part numbers.

PCB Layout					
Pin #	X	Y	Pin #	X	Y
1	1.95	7.47	15	-1.95	7.47
2	4.8	6.06	16	0	5.03
3	6.82	3.65	17	02.82	3.6
4	7.7	0.6	18	4.55	0.97
5	7.28	-2.53	19	4.2	-2.13
6	5.67	-5.2	20	1.83	-4.17
7	3.08	-7.08	21	-1.83	-4.17
8	0	-7.73	22	-4.2	-2.13
9	-3.08	-7.08	23	-4.55	0.97
10	-5.67	-5.2	24	-2.82	3.6
11	-7.28	-2.53	25	0	1.88
12	-7.7	0.6	26	0	-1.6
13	-6.82	3.65	27	2.02	0.14
14	-4.8	6.05	28	-2.02	0.14



Back Mount



PCB Back Mount

Specifications:

Body: Nickel Plated Brass
 Contacts: Copper Alloy with Gold Plating
 Coupling Nut: Nickel Plated Brass
 Insulator: Polyamide

O-Ring: FPM
 Jam Nut: Nickel Plated Brass
 Temperature: -40°C to +105°C (-40°F to +221°F)



MCV, MCVH, MCX & MCL Series Accessories

MCV, MCVH, MCX & MCL Series Jam & Lock Nuts



NPT, PG & Metric Threads

Jam Nuts					
Style	Part #	Thread	A	Thickness	Material
	213M	PG 13.5	21 mm	3.0 mm	Nickel Plated Brass
	221M	PG 21	31.9 mm	3.5 mm	Nickel Plated Brass
	2M20M	M20 x 1.5	24 mm	3.0 mm	Nickel Plated Brass
	2M25M	M25 x 1.5	30 mm	3.5 mm	Nickel Plated Brass
	2M30M	M30 x 1.5	35 mm	3.5 mm	Nickel Plated Brass
Lock Nut					
	212M	1/2" NPT	28.5 mm	3.3 mm	Zinc Plated Steel

E

M16, M23 & M27 Series