

# MS Series

## Non-Fusible Motor Disconnect Switches


### 20, 30 & 40 Amp

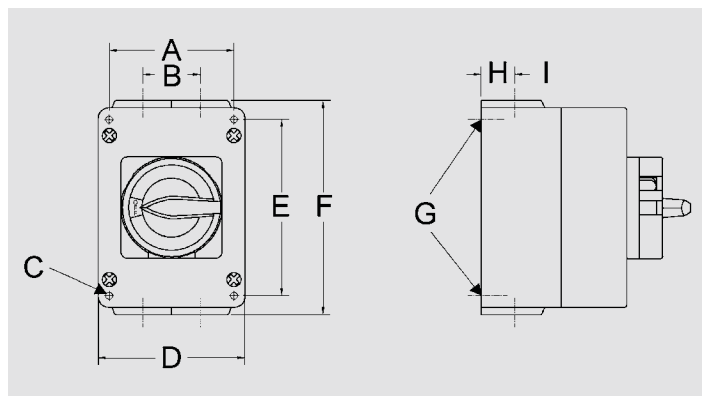
#### ORDERING INFORMATION



AMP.	HP RATINGS		CATALOG NO. (WITH AUX. CONTACTS)	CATALOG NO. (WITHOUT AUX. CONTACTS)
	3Ø240V	3Ø480/600V		
25	3	5	<b>ME 20MS-M2</b>	<b>ME 20MS</b>
30	7.5	15	<b>ME 30MS-M2</b>	<b>ME 30MS</b>
40	10	20	<b>ME 40MS-M2</b>	<b>ME 40MS</b>

#### Compliances & Performance:

- Suitable as Motor Disconnect per 1999 NEC Article 430-109(a)(6)
- Switch:  Standard 508
- Padlockable handle complies with OSHA LO/TO regulations



#### Approximate Dimensions (in inches)

	STANDARD ENCLOSURE
A	3.07
B	1.42
C	Ø 3/16 MTG. HOLES (4)
D	3.62
E	4.33
F	5.31
G	MTG. HOLES (4)
H	0.83
I	3/4" NPT Entry (4)