

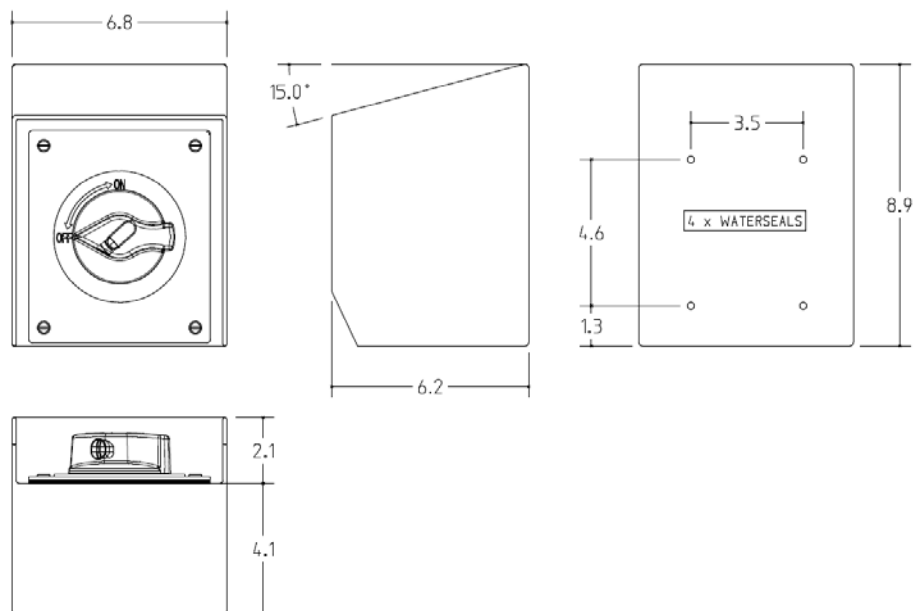
MENNEKES  
 Electrical Products  
 277 Fairfield Road  
 Fairfield, NJ 07004  
 800-882-7584  
 www.MENNEKES.com

**SPEC GRADE STAINLESS DISCONNECT SWITCH**

<b>Part No.</b>	ME 60SLP2A-M2
<b>Description:</b>	60 Amp 3Ø 600Vac Motor Disconnect with Early Break Aux Contacts - 1 N/O; 1 N/C
<b>Construction:</b>	NEMA 4X; 12
<b>Compliance:</b>	UL Standard 508 and CSA C22.2 No.14-10; UL 50E
<b>Performance:</b>	Lock Rotor Tested 10kAIC with 110A RK1 Fuse Suitable as Motor Disconnect Per NEC 430-109 (a)(6)

**HP RATINGS:**

1 Ø		3 Ø	
240V	480/600V	240V	480/600V
5	10	10	20



Drawing Not to Scale