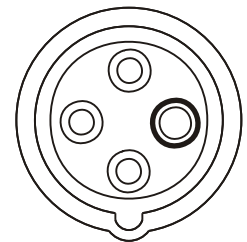
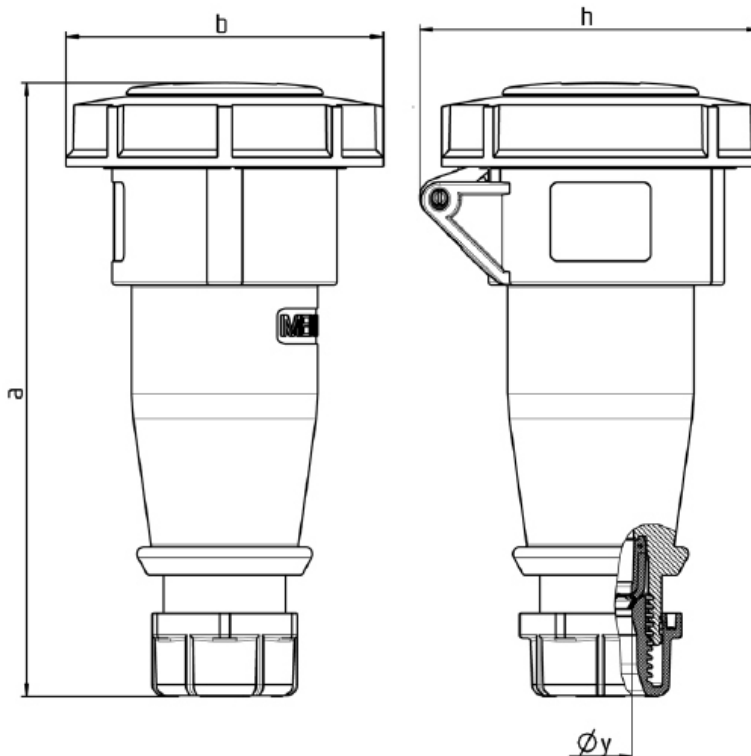


CONNECTOR, IN-LINE

Part No.	ME 432C3W-2177
Description:	32 Amp 3 Phase, 4W 400-440Vac Connector
Construction:	Watertight IEC IP 67
Approvals:	UL Listed Standards 1682; 1686; Bureau Veritas; Lloyd's Register; Germanischer Lloyd IEC 60309-1; IEC 60309-2

IEC COLOR CODE: Red

GROUND SOCKET: 3 Hour Position Mates with Male in 9 Hour Position for Refrigerated Container Usage



Front View of Connector

Dimensions

	mm	INCHES
a	212	8.35"
b	96	3.78"
h	98	3.86"
y	22	0.87"

Wire Range: 2.5mm² - 6 mm²
Cord Range: 11mm - 22mm
Strip Length Jacket: 50mm
Strip Length Conductor: 14mm

Drawing Not to Scale