


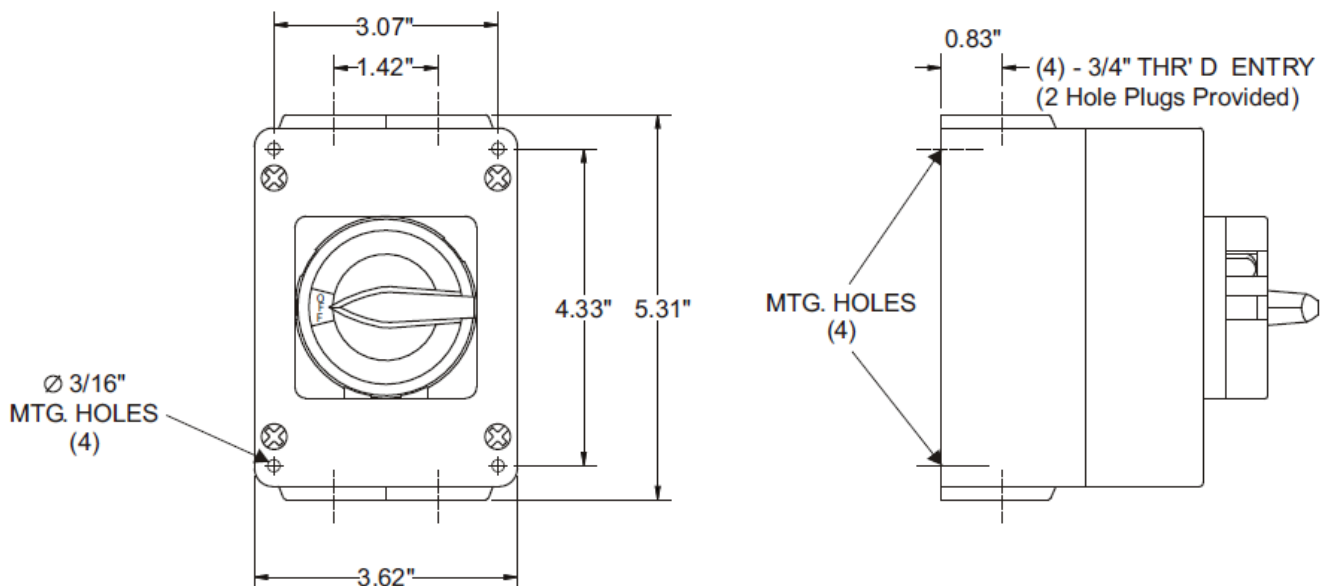
MENNEKES  
 Electrical Products  
 277 Fairfield Road  
 Fairfield, NJ 07004  
 800-882-7584  
 www.MENNEKES.com

**MS DISCONNECT SWITCH**

<b>Part No.</b>	ME 20MS-M2
<b>Description:</b>	25 Amp 3Ø 600Vac Motor Disconnect with Early Break Auxiliary Contacts - 1 N/O, 1 N/C
<b>Construction:</b>	IP 65
<b>Approvals:</b>	 to UL Standard 508 and CSA C22.2 No.14-10
<b>Performance:</b>	Lock Rotor Tested 10kAIC Rated Suitable as Motor Disconnect Per NEC 430-109(a)(6)

**HP RATINGS:**

3 Ø		
240V	480V	600V
3	5	5



Drawing Not to Scale