

PCS SERIES

PC MOUNT FUSES



SEMICONDUCTOR PROTECTION FUSES FOR DIRECT MOUNTING ON PRINTED CIRCUIT BOARDS

Ferraz Shawmut's new PCS series of extremely fast-acting, direct-mountable fuses addresses the increasing need for electrical protection at the PC board as current and voltage requirements push higher. These fuses help printed circuit board manufacturers reduce parts by eliminating clips and fuse blocks and allowing automated assembly. PCS fuses are AC and DC rated and are extremely current-limiting. They will protect semiconductors, main frame boards, circuit breakers with low interrupting rating and other critical components. PCS fuses bring 1st protection, higher voltage and interrupting ratings to the board itself and are UL Component Recognized.

HIGHLIGHTS:

- Extremely Fast Acting
- PC Board Mount
- Three Mounting Styles

APPLICATIONS:

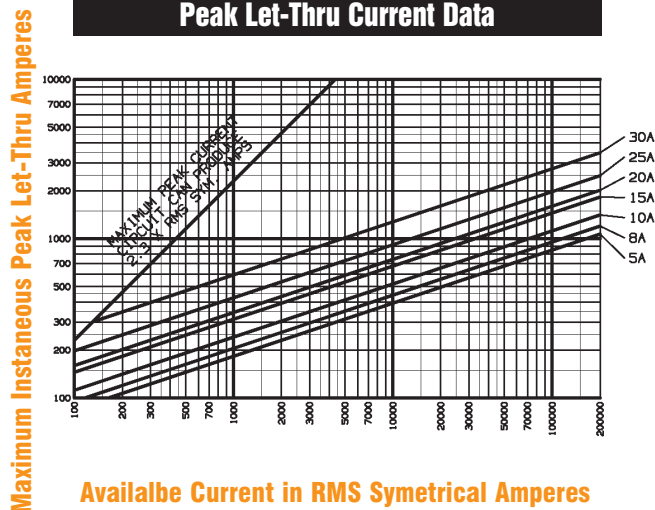
- Protection of semiconductors, circuit breakers, critical components

Ratings

- AC: 5 to 40A 600VAC, 200kA I.R.
- DC: 5 to 40A 600VDC, 100kA I.R. L/R < 10 ms

Approvals

- UL Recognized Components FILE E60314



Standard Fuse Ampere Ratings, Catalog Numbers

AMPERE RATING	CATALOG NUMBER	AMPERE RATING	CATALOG NUMBER
Slot Mount			
5	PCS5-R	20	PCS20-R
8	PCS8-R	25	PCS25-R
10	PCS10-R	30	PCS30-R
12	PCS12-R	35	PCS35-R
15	PCS15-R	40	PCS40-R
Double Hole Mount			
5	PCS5-H	20	PCS20-H
8	PCS8-H	25	PCS25-H
10	PCS10-H	30	PCS30-H
12	PCS12-H	35	PCS35-H
15	PCS15-H	40	PCS40-H
Surface Mount			
5	PCS5-S	20	PCS20-S
8	PCS8-S	25	PCS25-S
10	PCS10-S	30	PCS30-S
12	PCS12-S	35	PCS35-S
15	PCS15-S	40	PCS40-S

Dimensions of the PCS Series are found on page C 29

PCS SERIES

PC MOUNT FUSES

I^2t at 600VDC, 100kA, L/R = 10 ms

AMPERE RATING	CLEARING I^2t (A ² s)
5	40
8	42
10	70
12	90
15	110
20	200
25	260
30	520
35	780
40	1100

I^2t at 600VAC, 100kA

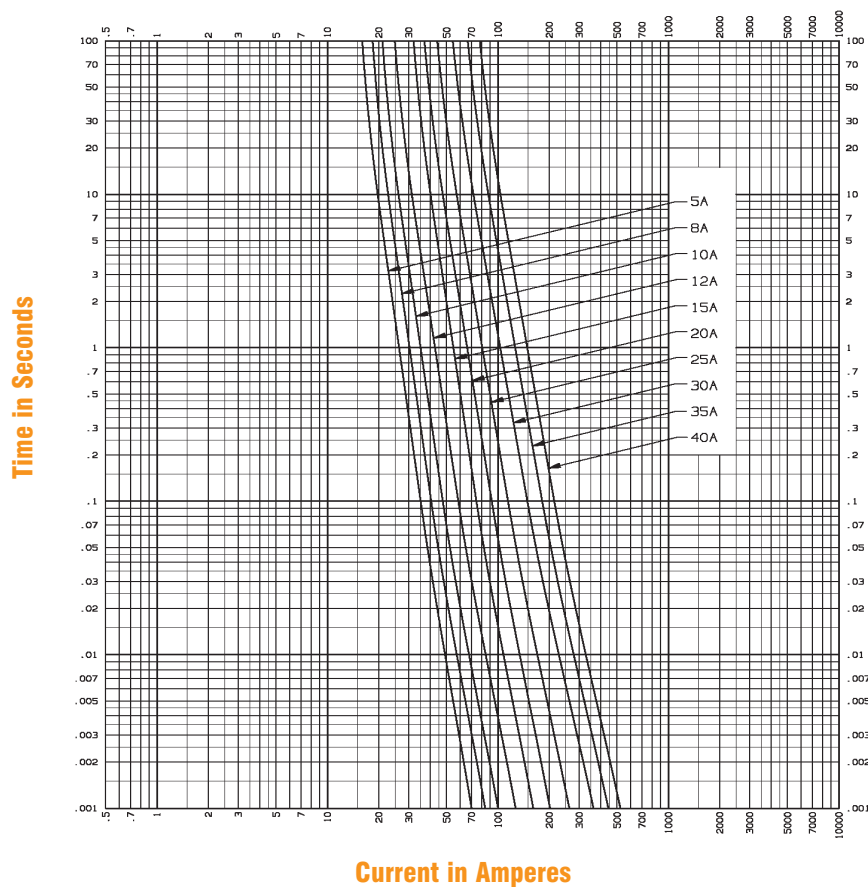
AMPERE RATING	MELTING I^2t (A ² s)	CLEARING I^2t (A ² s)
5	5	60
8	6.5	70
10	10	110
12	17	150
15	26	180
20	41	330
25	69	440
30	132	860
35	197	1300
40	276	1800

Watts Loss Data

AMPERE RATING	WATTS LOSS @ 80% RATING (w)	WATTS LOSS @ 100% RATING (w)
5	0.5	0.7
10	0.9	1.5
15	1.9	3.0
20	2.6	4.4
25	2.9	5.3
30	3.0	5.8
35	3.3	6.4
40	3.6	7.0



Peak Let-Thru Current Data – PCS5 to 30-R, H or S, 600 Volts AC



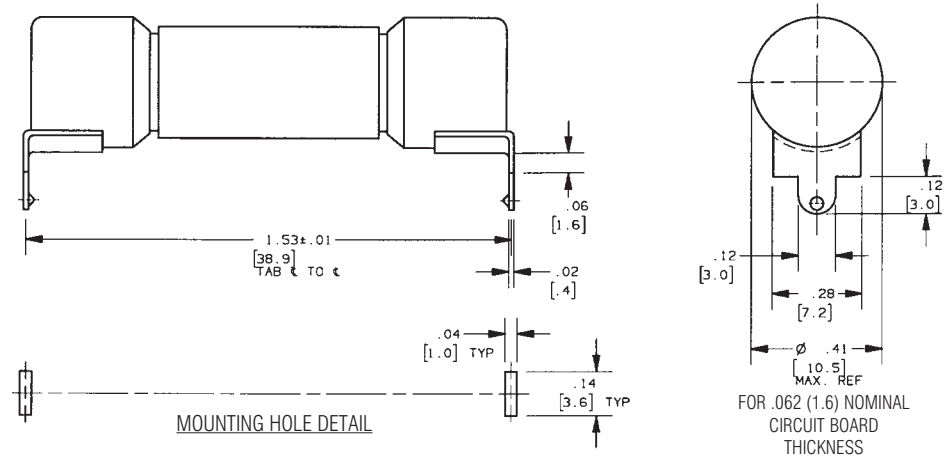
PCF/PCS/PCT SERIES

PC MOUNT FUSES

Outline Dimensions

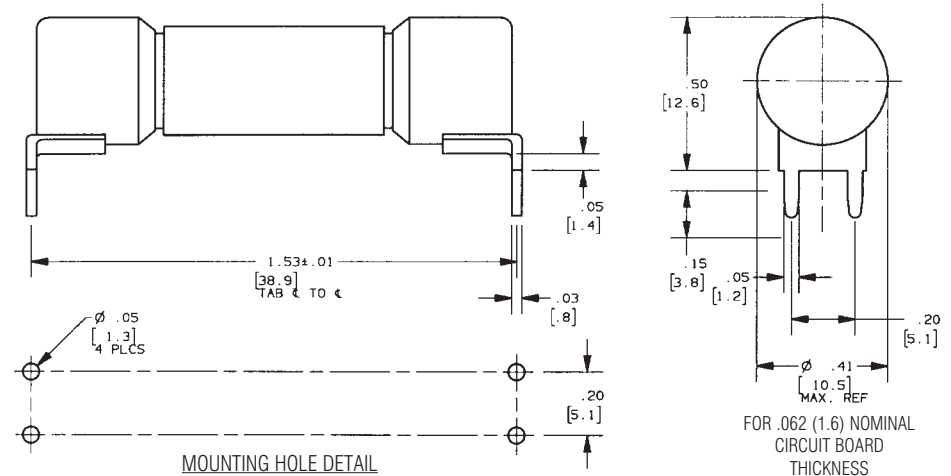
PCF1-R thru PCF30-R
PCS5-R thru PCS40-R
PCT1-R thru PCT30-R

Slot Mount (Rectangular Holes)



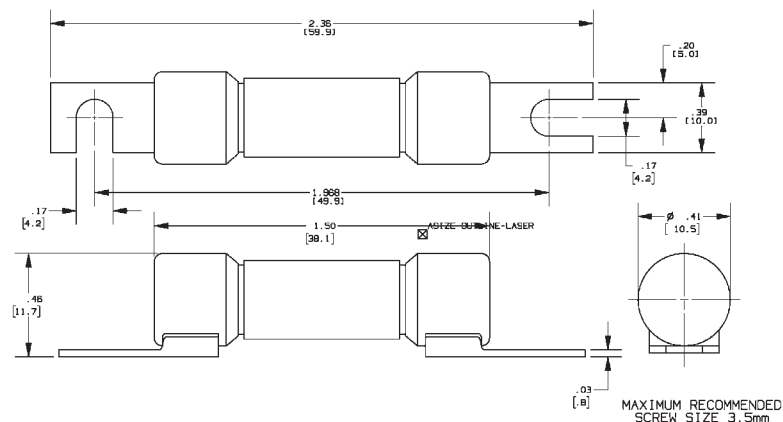
PCF1-H thru PCF30-H
PCS5-H thru PCS40-H
PCT1-H thru PCT30-H

Double Hole Mount (Round Holes)



Surface (Screw) Mount

PCF1-S thru PCF30-S
PCS5-S thru PCS40-S
PCT1-S thru PCT30-S



MAXIMUM RECOMMENDED
SCREW SIZE #6 (3.5mm)